

OWNER'S MANUAL | MANUEL DE L'UTILISATEUR MANUAL DEL PROPIETARIO | HANDBUCH | MANUALE DELL'UTENTE



MODEL / MODÈLE / MODELO / MODELL / MODELLO : PB1600PS1
PART / PIÈCE / PARTE / TEIL / PARTE : 10804



PIT BOSS® PRO SERIES

WOOD PELLET GRILL & SMOKER

IMPORTANT, READ CAREFULLY, RETAIN FOR FUTURE REFERENCE. MANUAL MUST BE READ BEFORE OPERATING!

FUMOIR ET GRIL À GRANULÉS DE BOIS

IMPORTANT, PRENEZ CONNAISSANCE DE CE DOCUMENT ET CONSERVEZ-LE POUR RÉFÉRENCE ULTÉRIEURE. VOUS DEVEZ LIRE CE GUIDE AVANT D'UTILISER LE BARBECUE!

PARRILLA Y AHUMADOR DE PELLETS DE MADERA

IMPORTANTE, LEER DETENIDAMENTE, CONSERVAR PARA REFERENCIA FUTURA. LEA EL MANUAL ANTES DEL USO!

HOLZPELLET-GRILL UND SMOKER

WICHTIG: AUFMERKSAM LESEN UND GUT AUFBEWAHREN BITTE UNBEDINGT VOR GEBRAUCH DIE BEDIENUNGSANLEITUNG SORGFÄLTIG DURCHLESEN!

GRIGLIA A PELLETTI DI LEGNO CON AFFUMICATORE

IMPORTANTE: LEGGERE ATTENTAMENTE E CONSERVARE PER RIFERIMENTO FUTURO. LEGGERE IL MANUALE PRIMA DELL'USO.

WARNING: PLEASE READ THE ENTIRE MANUAL BEFORE INSTALLATION AND USE OF THIS ELECTRIC, PELLET FUEL-BURNING APPLIANCE. FAILURE TO FOLLOW THESE INSTRUCTIONS COULD RESULT IN PROPERTY DAMAGE, BODILY INJURY OR EVEN DEATH. CONTACT LOCAL BUILDING OR FIRE OFFICIALS ABOUT RESTRICTIONS AND INSTALLATION INSPECTION REQUIREMENTS IN YOUR AREA.

AVERTISSEMENT : VEUILLEZ LIRE L'INTÉGRALITÉ DU MANUEL AVANT L'INSTALLATION ET L'UTILISATION DE CET APPAREIL ÉLECTRIQUE À COMBUSTION DE GRANULÉS DE BOIS. LE NON-RESPECT DE CES INSTRUCTIONS PEUT ENTRAÎNER DES DOMMAGES MATÉRIELS, DES DOMMAGES CORPORELS OU MÊME LA MORT. CONTACTEZ LES AUTORITÉS LOCALES COMPÉTENTES CONCERNANT LES RESTRICTIONS ET LES EXIGENCES D'INSPECTION EN VIGUEUR DANS VOTRE RÉGION.

ADVERTENCIA: LEA TODO EL MANUAL ANTES DE INSTALAR Y USAR ESTA UNIDAD QUE FUNCIONA CON ELECTRICIDAD Y COMBUSTIÓN DE PELLETS. SI NO SE SIGUEN ESTAS INSTRUCCIONES, PUEDEN PRODUCIRSE DAÑOS MATERIALES, LESIONES CORPORALES O INCLUSO LA MUERTE. PARA CONSULTAR LAS RESTRICCIONES Y REQUISITOS DE INSPECCIÓN DE LAS INSTALACIONES DE SU ZONA, PONGASE EN CONTACTO CON LOS ENCARGADOS DE EDIFICIO O EL DEPARTAMENTO DE BOMBEROS.

ACHTUNG: BITTE LESEN SIE DIE GESAMTE ANLEITUNG SORGFÄLTIG DURCH, BEVOR SIE DIESES ELEKTRISCHE, PELLETBEFEUERTER GERÄT INSTALLIEREN UND BENUTZEN. DIE NICHTBEACHTUNG DIESER ANWEISUNGEN KANN ZU SACHSCHÄDEN, KÖRPERVERLETZUNGEN ODER SOGAR ZUM TOD FÜHREN. WENDEN SIE SICH AN LOKALE BAU- ODER BRANDSCHUTZBEHÖRDEN, UM INFORMATIONEN ÜBER EINSCHRÄNKUNGEN UND ANFORDERUNGEN AN DIE INSTALLATIONSINSPEKTION IN IHRER NÄHE ZU ERHALTEN.

AVVERTENZA: LEGGERE L'INTERO MANUALE PRIMA DELL'INSTALLAZIONE E DELL'USO DI QUESTA APPARECCHIATURA ELETTRICA PER LA COMBUSTIONE DI PELLETTI. LA MANCATA OSSERVANZA DELLE ISTRUZIONI PUÒ CAUSARE DANNI ALLA PROPRIETÀ, LESIONI FISICHE O MORTE. CONTATTARE LE AUTORITÀ LOCALI COMPETENTI PER L'EDILIZIA O I VIGILI DEL FUOCO PER INFORMAZIONI SULLE RESTRIZIONI E SUI REQUISITI DI ISPEZIONE DEGLI IMPIANTI NELLA PROPRIA ZONA.



SMOKE IT®

For outdoor and household use only. Not for commercial use.
Réservé à l'usage extérieur et résidentiel uniquement. Non destiné à un usage commercial.
Solo para uso doméstico y en el exterior. No apto para uso comercial.
Bitte nur im Freien und privat nutzen. Nicht für die gewerbliche Anwendung geeignet.
Solo per uso domestico ed esterno. Non per uso commerciale.

SAFETY INFORMATION

MAJOR CAUSES OF APPLIANCE FIRES ARE A RESULT OF POOR MAINTENANCE AND A FAILURE TO MAINTAIN REQUIRED CLEARANCE TO COMBUSTIBLE MATERIALS. IT IS OF UTMOST IMPORTANCE THAT THIS PRODUCT BE USED ONLY IN ACCORDANCE WITH THE FOLLOWING INSTRUCTIONS.

Please read and understand this entire manual before attempting to assemble, operate or install the product. This will ensure you receive the most enjoyable and trouble-free operation of your new wood pellet grill. We also advise you retain this manual for future reference.

DANGERS AND WARNINGS

You must contact your local home association, building or fire officials, or authority having jurisdiction, to obtain the necessary permits, mission or information on any installation restrictions, such as any grill being installed on a combustible surface, inspection requirements or even ability to use, in your area.

1. A minimum clearance of 914 mm (36 inches) from combustible constructions to the sides of the grill, and 914 mm (36 inches) from the back of the grill to combustible constructions must be maintained. **Do not install appliance on combustible floors, or floors protected with combustible surfaces unless proper permits and permissions are obtained by authorities having jurisdiction.** Do not use this appliance indoors, in an enclosed or unventilated area, inside homes, vehicles, tents, garages. This wood pellet appliance must not be placed under overhead combustible ceiling or overhang. Keep your grill in an area clear and free from combustible materials, gasoline and other flammable vapors and liquids.

Should a grease fire occur, turn the grill OFF and leave the lid closed until the fire is out. Unplug the power cord. Do not throw water on the unit. Do not try to smother the fire. Use of an all-class (class ABC) approved fire extinguisher is valuable to keep on site. If an uncontrolled fire does occur, call the Fire Department.

2. Keep electrical supply cords and the fuel away from heated surfaces. Do not use your grill in the rain or around any water source. If the supply cord is damaged, it must be replaced by the manufacturer, its service agent or similarly qualified persons in order to avoid a hazard.
3. After a period of storage, or non-use, check the Burn Pot for obstructions, the hopper for foreign objects, and any air blockage around the fan intake or chimney. Clean before use. Regular care and maintenance is required to prolong the lifespan of your unit. **If the grill is stored outside during the rainy season or seasons of high humidity, care should be taken to insure that water does not get into the hopper.** When wet or exposed to high humidity, wood pellets will expand greatly, decompose, and may jam the feed system. Always disconnect the power, before performing any service or maintenance.

Do not transport your grill while in use or while the grill is hot. Ensure the fire is completely out and that the grill is completely cool to the touch before moving.

4. It is recommended to use heat-resistant barbecue mitts or gloves when operating the grill. Do not use accessories not specified for use with this appliance. Do not put a barbecue cover or anything flammable in the storage space area under the barbecue.

- To prevent fingers, clothing or other objects from coming in contact with the auger feed system, the appliance is equipped with a metal safety screen, mounted to the interior of the hopper. This screen must not be removed unless directed by Customer Care or an authorized dealer.

This appliance can be used by children aged from 8 years and above and persons with reduced physical, sensory or mental capabilities or lack of experience and knowledge if they have been given supervision or instruction concerning use of the appliance in a safe way and understand the hazards involved. Children shall not play with the appliance. Cleaning and user maintenance shall not be made by children without supervision.

- Parts of the barbecue may be very hot, and serious injury may occur. Keep young children and pets away while in use.
- Do not enlarge ignitor holes or Burn Pots. Failure to follow this warning could lead to a fire hazard and bodily harm and will void your warranty.
- Product may have sharp edges or points. Contact may result in injury. Handle with care.

DISPOSAL OF ASHES

Ashes should be placed in a metal container with a tight-fitting lid. The closed container of ashes should be placed on a non-combustible floor or on the ground, well away from all combustible materials, pending final disposal. When ashes are disposed by burial in soil, or otherwise locally dispersed, they should be retained in a closed container until all cinders have thoroughly cooled.

WOOD PELLET FUEL

This pellet cooking appliance is designed and approved for pelletized, all natural, wood fuel only. Any other type of fuel burned in this appliance will void the warranty and safety listing. You must only use all natural wood pellets, designed for burning in pellet barbecue grills. Do not use fuel with additives. Wood pellets are highly susceptible to moisture and should always be stored in an airtight container. If you are storing your grill, without use, for an extended period, we recommend clearing all pellets from your grill's hopper and auger, to prevent jams. The pellet fuel mean heating value in 8000-8770 BTU/LB, ash content < 1%.

Do not use spirit, petrol, gasoline, lighter-fluid or kerosene for lighting or refreshing a fire in your grill. Keep all such liquids well away from the appliance when in use.

At the time of printing, there is no industry standard for barbecue wood pellets, although most pellet mills use the same standards to make wood pellets for domestic use. Further information, can be found at www.pelletheat.org or the **Pellet Fuel Institute**.

Contact your local dealer on the quality of pellets in your area, and for information on brand quality. As there is no control over the quality of pellets used, moisture affected pellets, we assume no responsibility to damage caused by poor quality of fuel.

CREOSOTE

Creosote, or soot, is a tar-like substance. When burning, it produces black smoke with a residue which is also black in color. Soot or creosote is formed when the appliance is operated incorrectly, such as: blockage of the combustion fan, failure to clean and maintain the burn area, or poor air-to-fuel combustion.

It is dangerous to operate this appliance should the flame become dark, sooty, or if the Burn Pot is overfilled with pellets. When ignited, this creosote makes an extremely hot and uncontrolled fire, similar to a grease fire. Should this happen, turn the unit OFF, let it cool completely, then inspect for maintenance and cleaning. It commonly accumulates along exhaust areas.

If creosote has formed within the unit; allow the unit to warm up at a low temperature, turn off the appliance, then wipe away any formation with a hand towel. Similar to tar, it is much easier to clean when warm, as it becomes liquid.

CARBON MONOXIDE (“THE SILENT KILLER”)

Carbon monoxide is a colorless, odorless, tasteless gas produced by burning gas, wood, propane, charcoal or other fuel. Carbon monoxide reduces the blood’s ability to carry oxygen. Low blood oxygen levels can result in headaches, dizziness, weakness, nausea, vomiting, sleepiness, confusion, loss of consciousness or death. Follow these guidelines to prevent this colorless, odorless gas from poisoning you, your family, or others:

- See a doctor if you or others develop cold or flu-like symptoms while cooking or in the vicinity of the appliance. Carbon monoxide poisoning, which can easily be mistaken for a cold or flu, is often detected too late.
- Alcohol consumption and drug use increase the effects of carbon monoxide poisoning.

Carbon monoxide is especially toxic to mother and child during pregnancy, infants, the elderly, smokers, and people with blood or circulatory system problems, such as anemia, or heart disease.

SAFETY LISTING

Conforms to EN 60335-2-102:2016, EN 60335-1:2012 + A11:2014 + A13:2017 + A1: 2019 + A14: 2019 + A2: 2019, EN62233: 2008, EN 55014-1:2017, EN IEC 61000-3-2:2019, EN 61000-3-3:2013+A1:2019, EN 55014-2:2015.



FCC COMPLIANCE STATEMENT

This device complies with Part 15 of FCC Rules. Operation is subject to the following two conditions: (1) This device may not cause harmful interference, and (2) This device must accept any interference received, including interference that may cause undesired operation.



This equipment has been tested and found to comply with the limits for a Class B digital device, pursuant to part 15 of FCC Rules. These limits are designed to provide reasonable protection against harmful interference in a residential installation. This equipment generates, uses, and can radiate radio frequency energy and, if not installed and used in accordance with the instructions, may cause harmful interference to radio communications. However, there is no guarantee that interference will not occur in a particular installation. If this equipment does cause harmful interference to radio or television reception, which can be determined by turning the equipment off and on, the user is encouraged to try to correct the interference by one or more of the following measures:

- Reorient or relocate the receiving antenna.
- Increase the separation between the equipment and receiver.
- Connect the equipment into an outlet on a circuit different from that to which the receiver is connected.
- Consult the dealer or an experienced radio/TV technician for help.

Caution: The user is cautioned that changes or modifications not expressly approved by the party responsible for compliance could void the user’s authority to operate the equipment.

The Bluetooth® word mark and logo are registered trademarks owned by Bluetooth® SIG, Inc. and any use of such marks by Espressif is under license. Other trademarks and tradenames are those of their respective owners.



COPYRIGHT NOTICE

Copyright 2021. All right reserved. No part of this manual may be copied, transmitted, transcribed, stored in a retrieval system, in any form or by any means without expressed written permission of,

DANSONS EUROPE

11 Rue Galvani Paris, France 75017

DANSONS NORTH AMERICA

3411 North 5th Avenue, Suite 500, Phoenix, AZ, USA 85013

CUSTOMER CARE

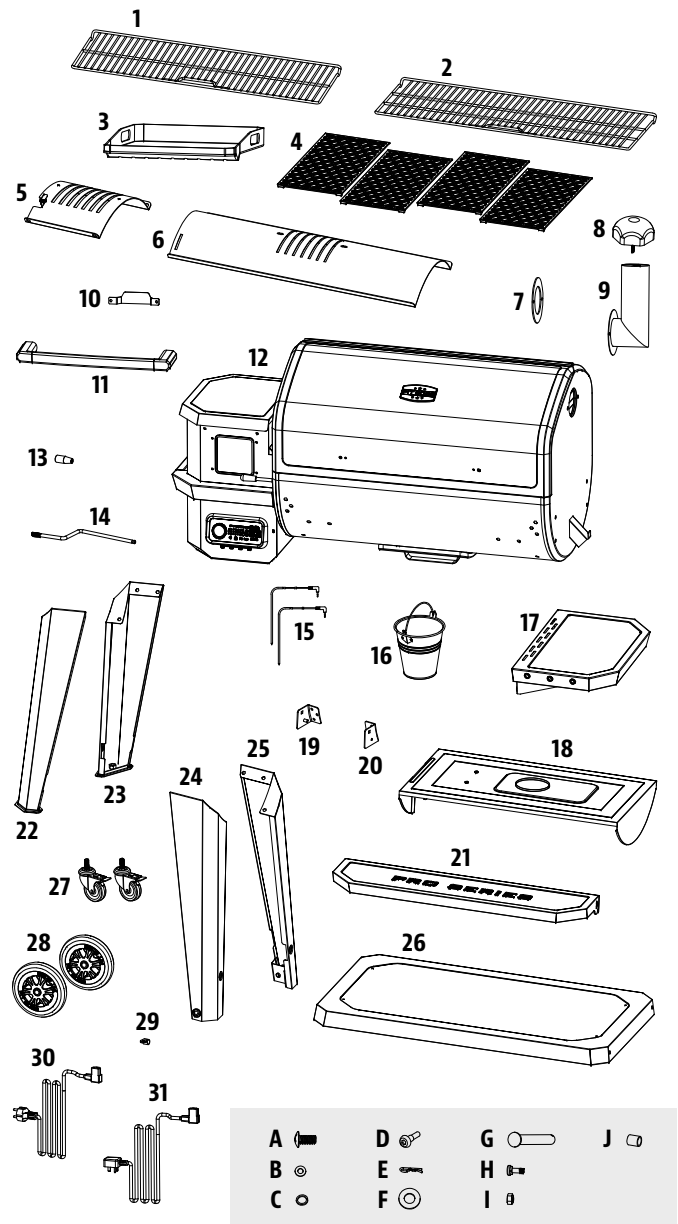
www.pitboss-grills.com

TABLE OF CONTENTS

Safety Information	2
Parts & Specs.....	6
Assembly Preparation.....	7
Assembly Instructions	
Mounting The Legs To Main Barrel	7
Installing The Bottom Shelf	8
Adding Wheels To The Cart	8
Installing The Lid Handle	8
Assembling The Side Shelf	9
Mounting The Side Shelf	9
Securing The Chimney.....	9
Securing The Front Shelf Brackets.....	10
Installing The Front Shelf	10
Placing The Diffuser Plate.....	10
Installing The Flame Broiler Components	11
Installing The Cooking Components	12
Mounting The Rack Hanger.....	12
Placing The Grease Bucket.....	12
Installing The Power Cord	13
Connecting To A Power Source.....	13
Operating Instructions	
Grill Environment	14
Grill Temperature Ranges.....	15
Understanding The Control Board	16
Control Board Functions	18
Connecting To The Smoke iT® App	19
Hopper Priming Procedure	20
First Use – Grill Burn-Off.....	20
Automatic Start-Up Procedure.....	20
Shutting Off Your Grill.....	20
Care & Maintenance	21
Tips & Techniques	23
Troubleshooting	24
Electrical Wire Diagram	26
Replacement Parts	
Grill Replacement Parts	27
Hopper Replacement Parts.....	28
Warranty	29

PARTS & SPECS

Part#	Description
1	Top Cooking Rack (x1)
2	Middle Cooking Rack (x1)
3	Griddle (x1)
4	Cooking Grids (x4)
5	Flame Broiler Slider (x1)
6	Flame Broiler Main Plate (x1)
7	Chimney Gasket (x1)
8	Chimney Cap (x1)
9	Chimney Stack (x1)
10	Rack Hanger (x1)
11	Lid Handle (x1)
12	Main Barrel / Hopper Assembly (x1)
13	Flame Broiler Adjusting Bar Handle (x1)
14	Flame Broiler Adjusting Bar (x1)
15	Meat Probe (x2)
16	Grease Bucket (x1)
17	Side Shelf (x1)
18	Diffuser Plate (x1)
19	Front Shelf Bracket / Left (x1)
20	Front Shelf Bracket / Right (x1)
21	Front Shelf (x1)
22	Left Support Leg - Front (x1)
23	Left Support Leg - Back (x1)
24	Right Support Leg - Front (x1)
25	Right Support Leg - Back (x1)
26	Bottom Shelf (x1)
27	Locking Caster Wheels (x2)
28	Wheel (x2)
29	Power Cord Clip (x1)
30	Power Cord - F Plug (x1)
31	Power Cord - G Plug (x1)
A	Screw (x28)
B	Washer (x24)
C	Locking Washer (x22)
D	Tool Hook (x3)
E	Wheel Cotter Pin (x2)
F	Wheel Washer (x2)
G	Wheel Axle Pin (x2)
H	Screw (x2)
I	Nut (x2)
J	Bushing (x2)



NOTE: Due to ongoing product development, parts are subject to change without notice. Contact Customer Care if parts are missing when assembling the unit.

PB – ELECTRIC REQUIREMENTS
220-240 V, 50 Hz, 275 W, 3-PRONG GROUNDED PLUG

MODEL	ASSEMBLED (WxDxH)	WEIGHT	COOKING AREA	TEMPERATURE RANGE
PB PB1600PS1	1,587.5 MM x 813.5 MM x 1,400 MM / 62.50 IN. x 32.03 IN. x 55.12 IN.	110.0 KG / 242.5 LB	TOP RACK - 2,474.8 CM ² / 383.6 IN ² MIDDLE - 3,249.6 CM ² / 503.7 IN ² MAIN - 4,587.1 CM ² / 711.0 IN ² TOTAL - 10,311.5 CM ² / 1,598.3 IN ²	82-260°C / 180-500°F

ASSEMBLY PREPARATION

Parts are located throughout the shipping carton, including underneath the grill. Inspect the grill, parts, and hardware blister pack after removing from the protective shipping carton. Discard all packaging materials from inside and outside of the grill before assembly, then review and inspect all parts by referencing the parts list. If any part is missing or damaged, do not attempt to assemble. Shipping damage is not covered under warranty. Contact your dealer or Pit Boss® Customer Care for parts.

service@pitboss-grills.com

IMPORTANT: To ease installation, using two people is helpful (but not necessary) when assembling this unit.

Tools required for assembly: screwdriver and level. *Tools not included.*



ASSEMBLY INSTRUCTIONS

IMPORTANT: It is advised to read each step entirely before starting assembly on instructions. Do not tighten screws completely until all screws for that step have been installed. Hardware combination involving a locking washer and washer should be installed with the locking washer closest to the head of the screw.

1. MOUNTING THE LEGS TO THE MAIN BARREL

Parts Required:

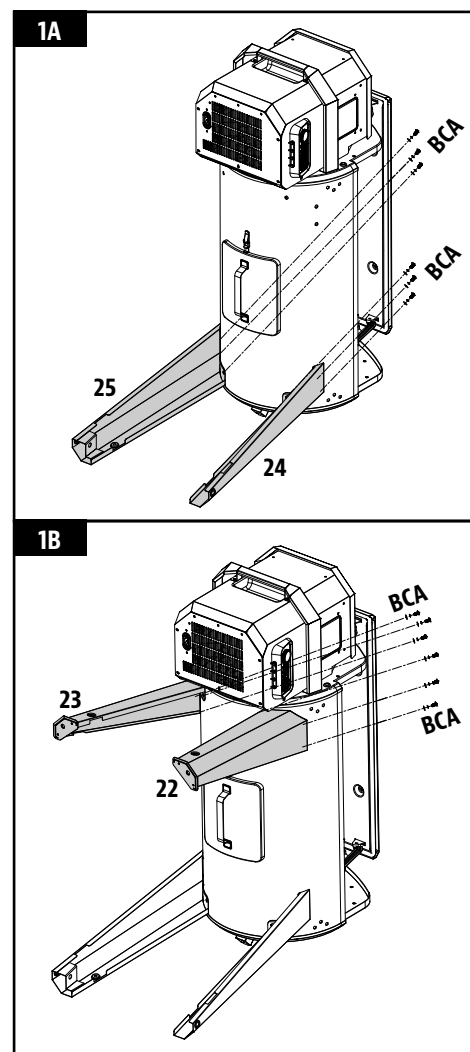
- 1 x Main Barrel /Hopper Assembly (#12)
- 1 x Left Support Leg - Front (#22)
- 1 x Left Support Leg - Back (#23)
- 1 x Right Support Leg / Front (#24)
- 1 x Right Support Leg / Back (#25)
- 12 x Screw (#A)
- 12 x Washer (#B)
- 12 x Locking Washer (#C)

Installation:

- Place a piece of cardboard on the floor to prevent scratching the unit and parts during assembly. Lay the Main Barrel on its side on the cardboard, hopper end pointed upward.
- Mount the Front-Right Support Leg to the floor end of the Main Barrel using three screws, locking washers, and washers, through the three pre-drilled holes. Install screws from the inside of the Main Barrel. Repeat installation for Back-Right Support Leg. Note illustration 1A.
- Next, mount the Front-Left Support Leg to the hopper end of the Main Barrel using three screws, locking washers, and washers, through the three pre-drilled holes. Install screws from the inside of the Main Barrel. Repeat installation for Back-Left Support Leg. Note illustration 1B.

IMPORTANT: Do not tighten screws completely until bottom shelf is installed in next step.

2. INSTALLING THE BOTTOM SHELF

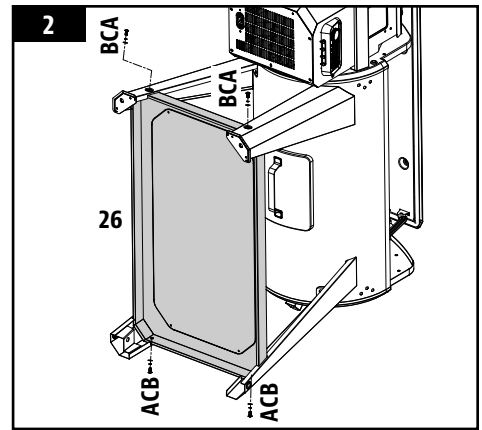


Parts Required:

- 1 x Bottom Shelf (#26)
- 4 x Screw (#A)
- 4 x Washer (#B)
- 4 x Locking Washer (#C)

Installation:

- Mount the Bottom Shelf to each Support Leg using a screw, locking washer, and washer. Ensure the flat surface of the shelf is facing up towards the Grill Barrel.



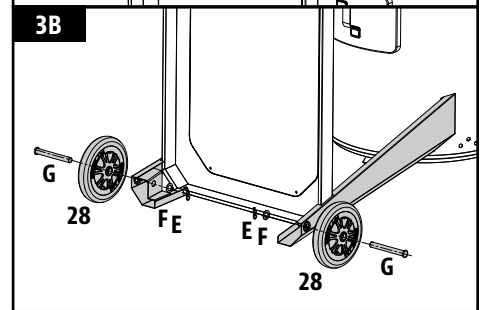
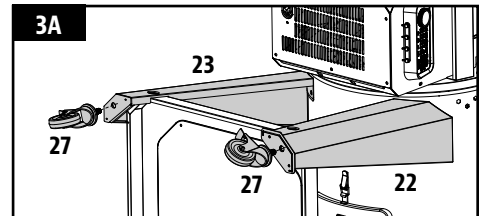
3. ADDING WHEELS TO THE CART

Parts Required:

- 2 x Locking Caster Wheels (#27)
- 2 x Wheel (#28)
- 2 x Wheel Cotter Pin (#E)
- 2 x Wheel Washer (#F)
- 2 x Wheel Axle Pin (#G)

Installation:

- Insert each Locking Caster Wheel into the bottom of each Left Support Leg by hand-tightening into the hole. Ensure that each Locking Caster Wheel is inserted completely. Note illustration 3A.
- Attach each Wheel to each Right Support Leg by inserting the Wheel Axle Pin through the Wheel, Support Leg hole, Wheel Washer, then secure using the Wheel Cotter Pin. Note illustration 3B.
- Once the shelf is secure, carefully lift the grill into an upright position.



IMPORTANT: Re-tighten the support leg screws to ensure they are completely secure after positioning the grill upright.

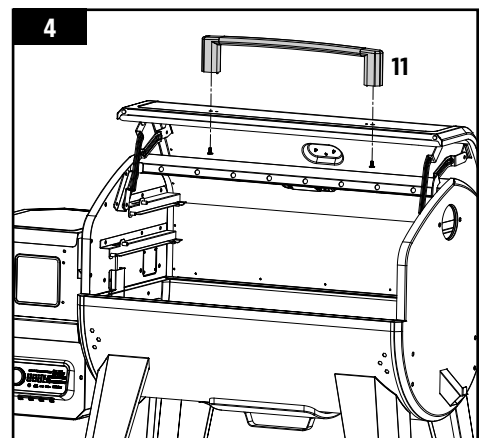
4. INSTALLING THE LID HANDLE

Parts Required:

- 1 x Lid Handle (#11)

Installation:

- Remove the pre-installed screws from the Lid Handle. From inside the barrel lid, insert one screw to protrude to the outside, then hand-tighten the screw (from the inside) into the Lid Handle. Repeat the same installation for the other end of Lid Handle.



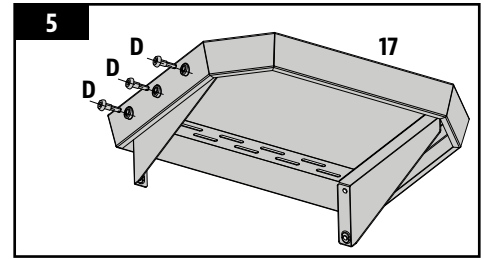
5. ASSEMBLING THE SIDE SHELF

Parts Required:

- 1 x Side Shelf (#17)
- 3 x Tool Hook (#D)

Installation:

- Turn the Side Shelf upside down. On the edge of the Side Shelf with three holes, install the tool hooks into each hole along the edge. The tool hooks will secure to the nut that is pre-mounted on the inside.



6. MOUNTING THE SIDE SHELF

Parts Required:

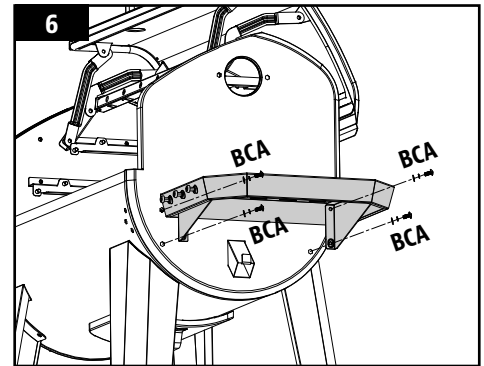
- 4 x Screw (#A)
- 4 x Locking Washer (#C)
- 4 x Washer (#B)

Installation:

- From underneath, fasten the Side Shelf to the side panel of the Main Barrel using four screws, locking washers, and washers.

NOTE: Do not tighten screws completely until all screws have been installed. Once all screws are installed, then tighten securely.

IMPORTANT: Avoid using the shelves to move or lift the grill. The weight of the unit will cause the shelves to break, which is not covered by warranty.



7. SECURING THE CHIMNEY

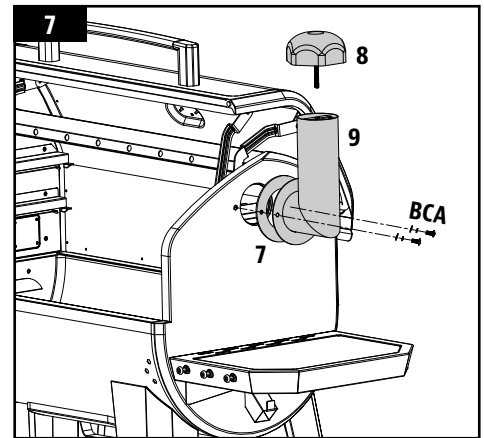
Parts Required:

- 1 x Chimney Gasket (#7)
- 1 x Chimney Cap (#8)
- 1 x Chimney Stack (#9)
- 2 x Screw (#A)
- 2 x Locking Washer (#C)
- 2 x Washer (#B)

Installation:

- Locate the chimney opening on the side of the Main Barrel. From the outside, secure the Chimney Stack and Chimney Gasket to the side panel using two screws, locking washers, and washers. The screw will fasten to the pre-mounted nut on the inside of the barrel.
- Next, secure the Chimney Cap onto the top of the Chimney Stack by rotating the Chimney Cap screw into the Chimney Stack.

NOTE: Adjust the chimney cap to affect the airflow inside the Main Grill. If cooking at low temperature, keep the cap more open. Ensure the chimney cap allows for air to escape.



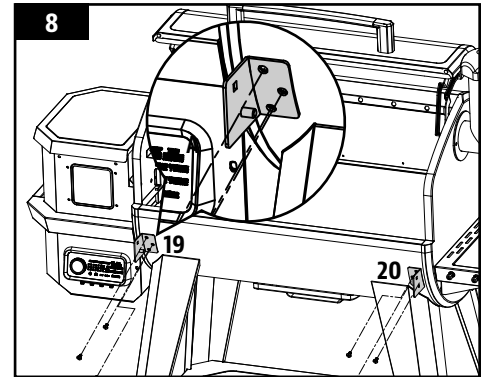
8. SECURING THE FRONT SHELF BRACKETS

Parts Required:

- 1 x Front Shelf Bracket / Left (#19)
- 1 x Front Shelf Bracket / Right (#20)
- 6 x Screw (#A)

Installation:

- Attach one Front Shelf Bracket to the front of the grill barrel by using three screws. Install each screw halfway, then tighten completely when all three screws are mounted and aligned properly.
- Repeat the same installation for the other Front Shelf Bracket.

**9. INSTALLING THE FRONT SHELF****Parts Required:**

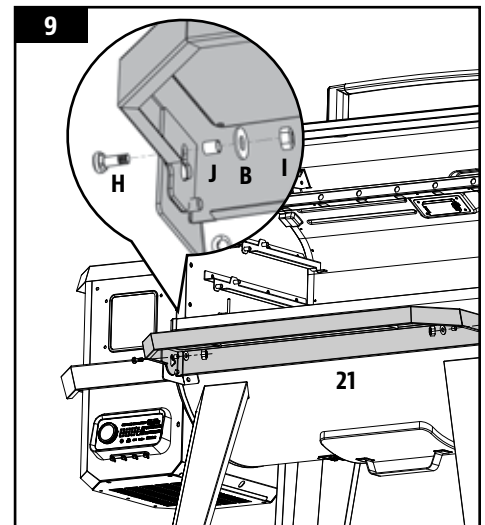
- 1 x Front Shelf (#21)
- 2 x Washer (#B)
- 2 x Screw (#H)
- 2 x Nut (#I)
- 2 x Bushing (#J)

Installation:

- From underneath, insert the screw (from the outside) into the Front Shelf Bracket and the Front Shelf, then add the bushing onto the screw, the washer, then the nut. Repeat installation for the other side of the Front Shelf.

NOTE: When installed correctly, the Front Shelf can be raised (for use) and lowered (for storage) with ease.

IMPORTANT: Avoid using the shelves to move or lift the grill. The weight of the unit will cause the shelves to break, which is not covered by warranty.

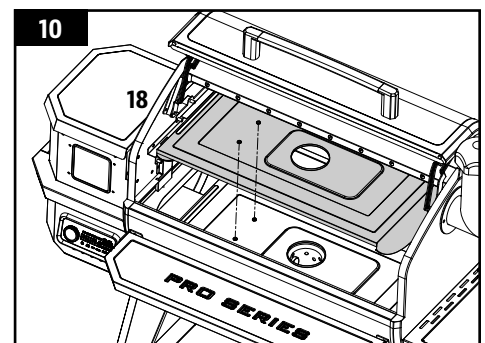
**10. PLACING THE DIFFUSER PLATE****Parts Required:**

- 1 x Diffuser Plate (#18)

Installation:

- Place the Diffuser plate into Main Barrel so the central opening aligns directly with the circular Burn Pot on the base of the Main Barrel.

NOTE: The Diffuser Plate does not require fastening.

**11. INSTALLING THE FLAME BROILER COMPONENTS**

Parts Required:

- 1 x Flame Broiler Slider (#5)
- 1 x Flame Broiler Main Plate (#6)
- 1 x Flame Broiler Adjusting Bar Handle (#13)
- 1 x Flame Broiler Adjusting Bar (#14)

Installation:

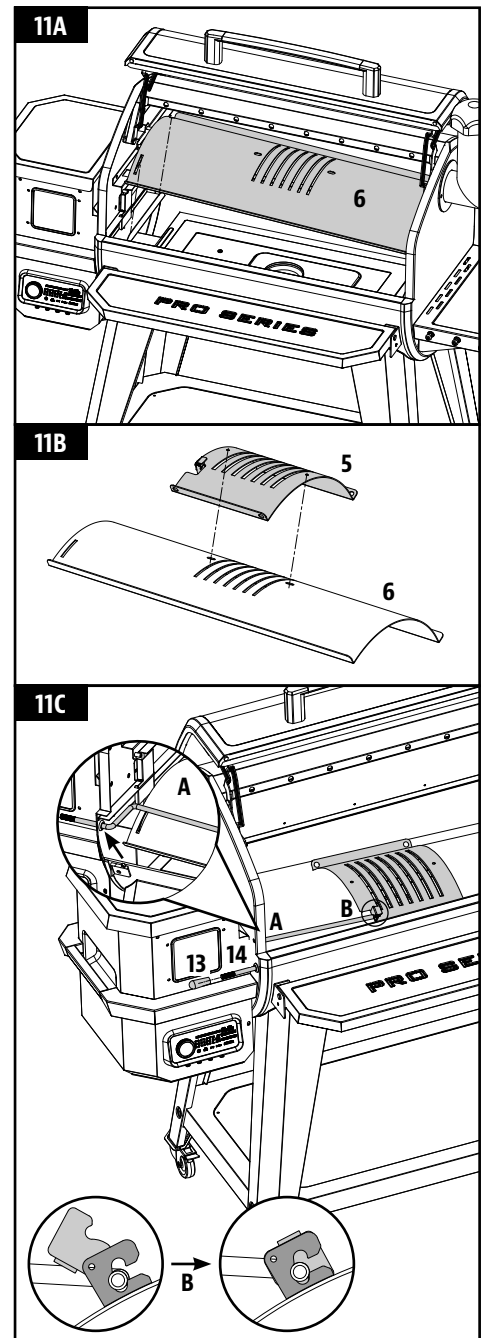
- Insert the Flame Broiler Main Plate into the Main Grill, right side first. Rest the Flame Broiler Main Plate on the built-in ledge (on the inside right) of the Main Grill that directs grease towards the grease bucket. Slide the entire piece to the left side, and the two slots on the Flame Broiler Main Plate will fit into the rounded ledge above the Burn Pot. It will sit slightly at a downward angle. Note 11A.

IMPORTANT: If the Flame Broiler Main Plate is on the base of the barrel, it is installed incorrectly. The Flame Broiler Main Plate should sit at an angle, with the left side sitting higher than the right. Poor installation of this part may result in damage to your Main Grill barrel.

- Place the Flame Broiler Slider on top of the Flame Broiler Main Plate, covering the slotted openings. Ensure the raised tab is on the left, to easily adjust for direct or indirect flame when cooking. Note illustration 11B. Both Flame Broiler parts are lightly coated with oil to avoid rusting when shipped.
- Next, remove the Flame Broiler Adjusting Bar Handle from the Flame Broiler Adjusting Bar. Insert the Flame Broiler Adjusting Bar through the opening hole on the left side of the Main Barrel. Add the Flame Broiler Adjusting Bar Handle back onto the end outside the barrel. Next, slide the notched end of the Adjusting Bar into the locking tab on the Flame Broiler Slider, giving you adjustable access to the Flame Broiler Slider on the main plate. Note steps in 11C.

NOTE: When the Flame Broiler Slider is open and direct flame is used, do not leave the grill unattended for any period of time.

12. INSTALLING THE COOKING COMPONENTS



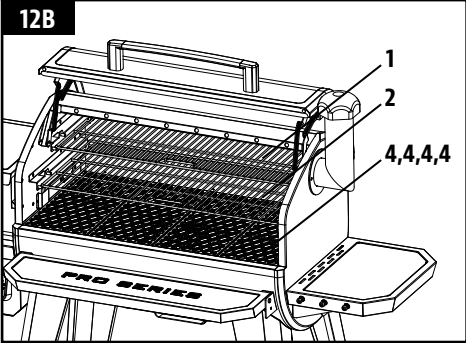
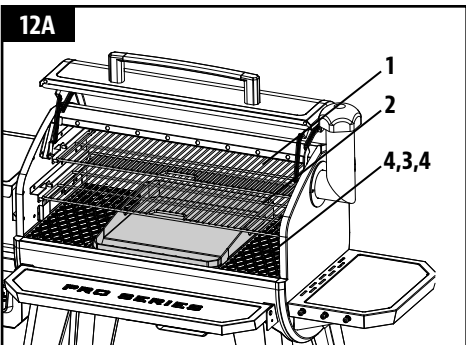
Parts Required:

- 1 x Top Cooking Rack (#1)
- 1 x Middle Cooking Rack (#2)
- 1 x Griddle (#3)
- 4 x Cooking Grids (#4)

Installation:

- Choose a desired main cooking surface: two Cooking Grids with the Griddle (shown in 12A) or four Cooking Grids (shown in 12B). Place the chosen combination of cooking surface on the lower grid ledges inside the Main Grill.
- Next, place the Middle Cooking Rack on the middle ledges inside the Main Grill. Place the Top Cooking Rack on the top ledges inside the Main Grill.

NOTE: To maintain the searing and grilling performance of your Cooking Grids and Cooking Racks, regular care and maintenance is required.



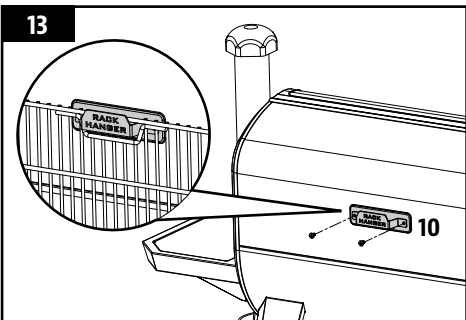
13. MOUNTING THE RACK HANGER

Parts Required:

- 1 x Rack Hanger (#10)

Installation:

- Secure the Rack Hanger to the back panel of the Main Barrel using the pre-assembly two screws. Cooking Racks can be hung on the Rack Hanger while not in use.



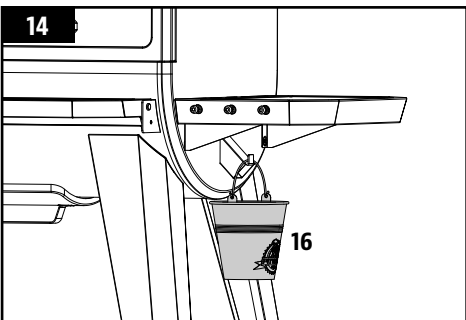
14. PLACING THE GREASE BUCKET

Parts Required:

- 1 x Grease Bucket (#16)

Installation:

- Place the Grease bucket on the spout hook on the end of the Main Barrel. Ensure it is level to avoid grease spills.
- The unit is now completely assembled.



15. INSTALLING THE POWER CORD

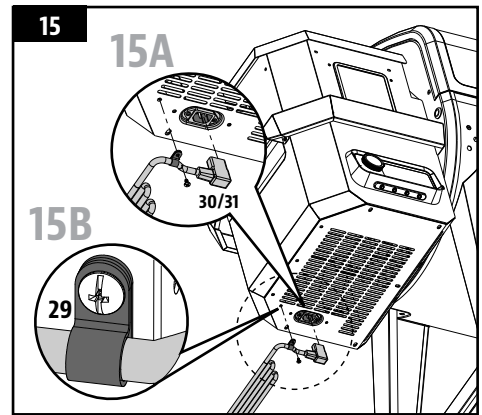
NOTE: There are two Power Cords supplied. Select the Power Cord that is required for your region.

Parts Required:

- 1 x Power Cord Clip (#29)
- 1 x Power Cord (#30 or #31)

Installation:

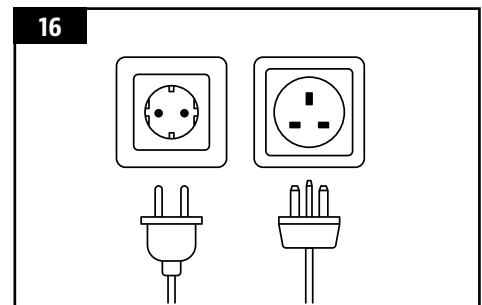
- Place the Power Cord Clip on the Power Cord. Then, insert the Power Cord into the groove at the bottom of the unit. Note 15A.
- Secure the Power Clip to the bottom panel using the pre-installed screw, as shown. Note 15B.



16. CONNECTING TO A POWER SOURCE

- **STANDARD OUTLET**
This appliance requires 220-240 Volt, 50 Hz, 275 W. It must be a grounded plug. Ensure grounded end is not broken off before use. The control uses a 220-240 volt, fast-blow fuse to protect the board from the ignitor.

IMPORTANT: Disconnect unit from power source when not in use.



OPERATING INSTRUCTIONS

With today's lifestyle of striving to eat healthy and nutritious foods, one factor to consider is the importance of reducing fat intake. One of the best ways to cut down on fat in your diet is to use a low fat method of cooking, such as grilling. As a pellet grill uses natural wood pellets, the savory wood flavor is cooked into the meats, reducing the need for high sugar content sauces. Throughout this manual, you will notice the emphasis on grilling food slowly at LOW or MEDIUM temperature settings.

GRILL ENVIRONMENT

1. *WHERE TO SET-UP THE GRILL*

With all outdoor appliances, outside weather conditions play a big part in the performance of your grill and the cooking time needed to perfect your meals.

All Pit Boss® units should keep a minimum clearance of 914 mm (36 inches) from combustible constructions, and this clearance must be maintained while the grill is operational. This appliance must not be placed under overhead combustible ceiling or overhang. Keep your grill in an area clear from combustible materials, gasoline and other flammable vapors and liquids.

2. *COLD WEATHER COOKING*

As it becomes cooler outside, that does not mean that grilling season is over! The crisp cool air and heavenly aroma of smoked foods will help cure your winter blues.

Follow these suggestions on how to enjoy your grill throughout the cooler months:

- If smoking at low temperatures fails, increase the temperature slightly to achieve the same results.
- Organize – Get everything you require ready in the kitchen before you head outdoors. During the winter, move your grill to an area that is out of the wind and direct cold. Check local bylaws regarding the proximity of your grill in relation to your home and/or other structures. Put everything you need on a tray, bundle up tight, and get it done!
- To help keep track of the outside temperature, place an outdoor thermometer close to your cooking area. Keep a log or history of what you cooked, the outdoor temperature, and the cooking time. This will help later down the road to help you determine what to cook and how long it will take.
- In very cold weather, increase your preheating time by at least 20 minutes.
- Avoid lifting the lid any more than necessary. Cold gusts of wind can completely cool your grill temperature. Be flexible with your serving time; add extra cooking time each time you open the lid.
- Have a heated platter or a dish cover ready to keep your food warm while making the trip back inside.
- Ideal foods for winter cooking are those that require little attention, such as roasts, whole chickens, ribs, and turkey. Make your meal preparation even easier by adding simple items such as vegetables and potatoes.

3. *HOT WEATHER COOKING*

As it becomes warmer outdoors, the cooking time will decrease.

Follow these few suggestions on how to enjoy your grill throughout the hot months:

- Adjust your cooking temperatures downward. This helps to avoid unwanted flare-ups.
- Use a meat thermometer to determine the internal temperature of your foods. This helps in preventing your meat from over cooking and drying out.
- Even in hot weather it is still better to cook with the lid of your grill down.
- You can keep foods hot by wrapping them in foil, and placing them in an insulated cooler. Stuff crumpled up newspaper around the foil and this will keep food hot for 3 to 4 hours.

GRILL TEMPERATURE RANGES

Temperature readouts on the control board may not exactly match the thermometer. All temperatures listed below are approximate and are affected by the following factors: outside ambient temperature, the amount and direction of wind, the quality of pellet fuel being used, the lid being opened, and the quantity of food being cooked.

- **HIGH TEMPERATURE (205-260°C / 401-500°F)**

This range is best used to sear and grill at a high heat. Use in tandem with the Flame Broiler (slide plate) for indirect or direct flame cooking. With the **Flame Broiler open**, direct flame is used to create those "blue" steaks, as well as flame-kissed vegetables, garlic toast or s'mores! When the **Flame Broiler is closed**, the air circulates around the barrel, resulting in convection heat. High temperature is also used to preheat your grill, burn-off the cooking grids, and to achieve high heat in extreme cold weather conditions.

- **MEDIUM TEMPERATURE (135-180°C / 275-356°F)**

This range is best for baking, roasting, and finishing off that slow smoked creation. Cooking at these temperatures will greatly reduce the chances of a grease flare-up. Ensure that the Flame Broiler Slider is in the closed position, covering the slotted openings. Great range for cooking anything wrapped in bacon, or where you want versatility with control.

- **LOW TEMPERATURE (82-125°C / 180-257°F)**

This range is used to slow roast, increase smoky flavor, and to keep foods warm. Infuse more smoke flavor and keep your meats juicy by cooking longer at a lower temperature (also known as **low and slow**). Highly recommended for the big turkey at Thanksgiving, juicy ham at Easter, or the huge holiday feast.

Smoking is a variation on true barbecuing and is truly the main advantage of grilling on a wood pellet grill. **Hot smoking**, another name for **low and slow** cooking, is generally done between 82-125°C / 180-257°F. Hot smoking works best when longer cooking time is required, such as large cuts of meats, fish, or poultry.

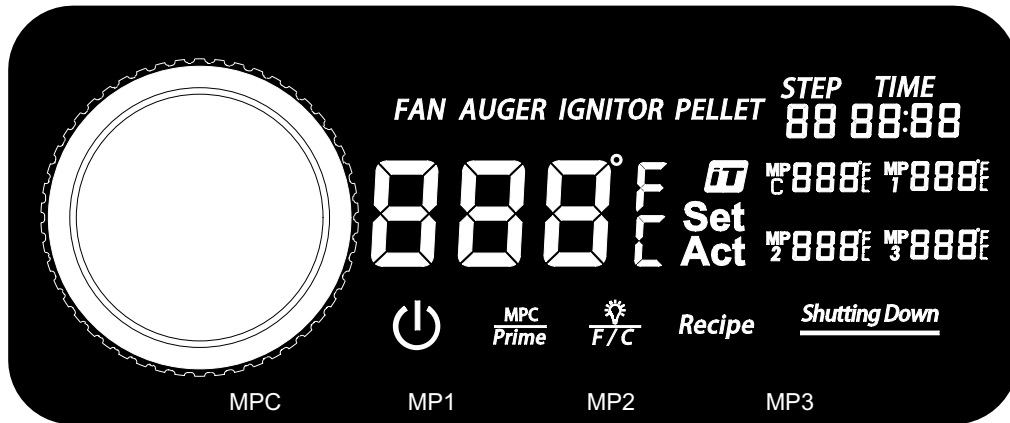
TIP: To intensify that savory flavor, switch to a low temperature range immediately after putting your food on the grill. This allows the smoke to penetrate the meats.

The key is to experiment with the length of time you allow for smoking, before the meal is finished cooking. Some outdoor chefs prefer to smoke at the end of a cook, allowing the food to keep warm until ready to serve. Practice makes perfect!

UNDERSTANDING THE CONTROL BOARD

This P.I.D. (proportional-integral-derivative) digital Control Board is very much the same as the controls on your kitchen oven. The main advantages are the ability to automatically compensate for the different ambient conditions and fuel types.

IMPORTANT: The temperature inside of any grill will vary greatly from location to location. Even instruments calibrated together may not agree with each other.



CONTROL	DESCRIPTION
	Press this button once to Power On the unit. This will begin the automatic start-up cycle. Press and hold this button for three seconds to Power-down the unit, activating the automatic cool-down cycle. The button will light up solid white when connected to a power source and when the unit is on.
	The Smoke iT® icon indicates a connectivity with Wi-Fi. When searching for a connection by Wi-Fi or via Bluetooth®, the Smoke iT® icon will blink. Once a Wi-Fi connection has been established, the Smoke iT® icon will stay solid. When connected, get live updates about the actual and set temperatures of the grill, cooking time, and meat probe temperatures. It also allows you to adjust the settings of your Control Board.
	This button has two functions: Temperature Units Switch and Light. <ol style="list-style-type: none"> 1. Quick push of this button to switch on and off the light inside the grill barrel. 2. Press and hold this button for three seconds to activate the Temperature Units Switch, changing the temperature readout. Change between Celsius (°C) and Fahrenheit (°F), as preferred. Default is set to Celsius (°C).
	This button has two functions: Meat Probe Control (MPC) and Prime Button. <ol style="list-style-type: none"> 1. The quick push of this button activates the Programmable Meat Probe - which is the first Meat Probe plug-in port (MPC). Use the Controller Knob to set the Programmable Meat Probe temperature. Press the Controller Knob again to confirm and exit the Programmable Meat Probe settings. 2. Press and hold this button for three seconds to activate a manual continuous feeding of pellets to the Burn Pot. Releasing the button will stop the manual feeding of pellets. This can be used to add more fuel to the fire before opening the barrel lid, resulting in a quick heat recovery. It can also be used while smoking, to increase the intensity of clean smoke flavor. This feature was requested from competition cookers.



The Controller Knob is used to increase, decrease, and select a setting value. Rotate the Controller Knob to select the time, temperature, or step in an active settings menu. Push the Controller Knob to confirm the chosen value.



The central readout displays both the Actual and Set temperatures. The Actual temperature is constantly displayed unless the Set temperature is being adjusted. The Actual temperature is the temperature from inside the Main Barrel. The Actual temperature readout is taken by the grill probe (sensor) from the inside of the grill barrel.

To show the Set temperature, press the Controller Knob. The Set temperature is active when the readout is blinking. To adjust the Set temperature, rotate the Controller Knob, as needed. Once the desired Set temperature is reached, press the Controller Knob to confirm the Set temperature, then the readout will return back to the Actual Temperature.

Recipe

Press the button once to activate the Recipe Steps. There are nine Recipe Steps available to set. Adjust the settings of each Recipe Step by using the Controller Knob.



Displays the current Recipe Step.



Displays the Time set during the Recipe Step. Press the Recipe Button to activate the Recipe settings. Use the Controller Knob to switch through the Recipe Steps, one being the Time.



Displays the Actual and Set temperature of the Programmable Meat Probe - which is the first Meat Probe plug-in port (MPC). The Actual temperature is constantly displayed unless the Set temperature is being adjusted. When the MPC Button is pressed, the selected Meat Probe readout will blink and the Set temperature can be adjusted. When not in use, disconnect the Meat Probe from the connection port and code "noP" will be displayed. Compatible with Pit Boss® Grills branded meat probes only.



Displays the Actual temperature of a Meat Probe. These three Meat Probe readouts correspond with the plug-in connection port selected. When not in use, disconnect the Meat Probe from the connection port and code "noP" will be displayed. Compatible with Pit Boss® Grills branded meat probes only.

Shutting Down

This readout is displayed after Power-down has been selected. It indicates that the automatic cool-down cycle has started. Once the cool-down cycle is completed, the readout will no longer be visible.

FAN

The FAN icon is visible when the fan is in operation. When the central readout has the FAN icon blinking, the Fan is not working. See the section on troubleshooting for assistance.

AUGER

The AUGER icon is visible when the auger is turning. When the central readout has the AUGER icon blinking, the auger is not working. See the section on troubleshooting for assistance.

IGNITOR

The IGNITOR icon is visible when the ignitor is in use. When the central readout has the IGNITOR icon blinking, the ignitor is not working. See the section on troubleshooting for assistance.

PELLET

When the central readout has the PELLET icon visible, the fire in the Burn Pot has gone out or the hopper may be empty. See the section on troubleshooting for assistance.

CONTROL BOARD FUNCTIONS

• *SETTING THE GRILL TEMPERATURE*

The Grill Probe measures the internal temperature of the Main Barrel. When the Set temperature is adjusted, the Grill Probe will read the Actual temperature inside the Main Barrel and adjust to the desired Set temperature.

IMPORTANT: The temperature of your unit is highly dependent on ambient outdoor weather, quality of pellets used, flavor of pellets, and the quantity of food being cooked.

SETTING/ADJUSTING THE SET TEMPERATURE

To adjust the desired Set temperature of the grill, follow the steps below:

1. Press the Controller Knob. This will make the Set temperature readout blink, to show it is active.
2. Use the Controller Knob again to adjust to your desired temperature.
3. Once the desired Set temperature is reached, press the Controller Knob to confirm the Set temperature, then the readout will return back to the Actual Temperature.

• *USING THE PROGRAMMABLE MEAT PROBE*

The meat probe measures the internal temperature of the meat on the grill, similar to your indoor oven. Insert the stainless-steel meat probe into the thickest portion of the meat. The internal temperature of the meat is shown on the Control Board readout. Plug-in the Meat Probe adapter to the meat probe connection port and ensure it is inserted all the way into the plug. You will feel and hear it snap in place. Not only will it cook the meat to your desired temperature, but it will automatically reduce your grill temperature to low (82°C / 180°F) to keep food warm until ready to serve. Just set it, then relax while the Meat Probe does the rest!

NOTE: When placing the meat probe into your meat, ensure the meat probe and meat probe wires avoid direct contact with flame or excess heat. This can result in damage to your meat probe. Run the excess wire out the rear exhaust holes of the Main Barrel, the top of the Main Barrel (near the grill lid hinge), or through the front hole near the hopper. When not in use, disconnect from the meat probe connection port, and place in the holes on the hopper handle to keep protected and clean.

SETTING/ADJUSTING THE PROGRAMMABLE MEAT PROBE

To program the desired Set temperature of the Programmable Meat Probe, follow the steps below:

1. Quick press the MPC button to activate the Programmable Meat Probe. When active, the temperature readout of the Meat Probe will blink.
2. Use the Controller Knob to adjust to the desired Set temperature.
3. Once the desired Set temperature of your selected Meat Probe is reached, press the Controller Knob again to confirm and exit the Programmable Meat Probe settings.

• *SETTING UP A RECIPE*

The Recipe function allows the user to program cooking instructions, known as Recipe Steps, for the Control Board to follow and automatically run. These cooking instructions are a combination between Cooking temperature and Time. Starting from the first Recipe Steps (01), the Control Board will cycle through each Recipe Steps to cook the meal. When all the Recipe Steps are complete, the Control Board will automatically switch to a low temperature of 82°C / 180°F so that the meal stays warm until ready to serve. There are a total of nine Recipe Steps available to be programmed.

HOW TO PROGRAM A RECIPE STEP

To set one or more of the Recipe Steps, follow the steps below:

1. Press and hold the Recipe Button. This will make the Recipe Button blink to show the Recipe settings are active. This will also activate the Recipe Steps and the letter 'S' will be on to show it is active.
 - Use the Controller Knob to select the Recipe Step. Start with the first Recipe Step (01).
 - When desired Recipe Step is reached, press the Controller Knob to go to next setting.
 2. Set the Time hours. The hours of the Time readout will blink, to show it is selected.
 - Use the Controller Knob to select the hours desired.
 - When desired hours are reached, press the Controller Knob to go to next setting.
 3. Set the Time minutes. The minutes of the Time readout will blink, to show it is selected.
 - Use the Controller Knob to select the minutes desired.
 - When desired minutes are reached, press the Controller Knob to go to next setting.
 4. Set the Temperature. The central temperature readout will blink, to show it is selected.
 - Use the Controller Knob to select the desired temperature.
 - When desired temperature is reached, press and hold the Recipe Button to lock in all Recipe settings for that Recipe Step.
 - To set another Recipe Step, quick press the Recipe Button to select another Recipe Step, programming a multiple Recipe Step cook. Repeat steps above, as desired.
- Or,
- Press and hold the Recipe Button a second time to exit the Recipe settings and run the Recipe. The Recipe Button will stop blinking.

NOTE: The Recipe Steps will reset when the unit is shut-down / turned off.

CONNECTING TO THE SMOKE IT® APP

Follow these instructions on how to connect your grill to the Smoke iT® app with your Android™ or iOS® device. The app will allow you to control and monitor your grill and meat probe temperatures from your mobile device. Enjoy the benefits that Smoke IT® mobile connectivity has to offer!

1. Download the Smoke iT® app. Open the app and allow Bluetooth® to be enabled for setup. New users will need to create an account and follow the prompts to login.
2. If you are within Bluetooth® range (9 m / 30 ft), the Smoke iT® app will automatically detect your grill. Select your grill model. If you do not see your grill on the screen, ensure your unit is connected to a power source and is turned on.
3. Name your grill model (ie. My Smoker) in the app and select "Connect" at the bottom of the screen. This will save your grill model in the devices menu.
4. From the devices menu, click the grill model to connect. This will show you the control board screen.
5. Click the settings option (gear) in the top-right corner, enter your Wi-Fi credentials, then click the check mark at the bottom of the screen to connect. Now both Bluetooth® and Wi-Fi (cloud) icons will show on the devices menu, showing that the grill is connected.

While using the app, the screen will shine bright when the grill is active and connected. If the app screen or grill goes dark on the devices menu, check your wireless connection or power source.

HOPPER PRIMING PROCEDURE

These instructions should be followed the first time the grill is ignited, and each time the grill runs out of pellets in the hopper. The auger must be primed to allow pellets to travel through the length of the auger, and fill the feed system. **If not primed, the ignitor will timeout before the pellets are ignited, and no fire will start.** Follow these steps to prime the hopper:

1. Open the Main Barrel lid. Remove all cooking components from the interior of the grill. Locate the Burn Pot in the bottom of the Main Barrel. Check the Burn Pot to ensure there is no obstruction for proper ignition.
2. Plug the power cord into a power source. Press the Power button to Power On the unit. Check the following items:
 - That you can hear the auger turning. Place your hand above the Burn Pot and feel for air movement. Do not place your hand or fingers inside the Burn Pot. This can cause injury.
 - After approximately a minute, you should smell the ignitor burning and begin to feel the air getting warmer in the Burn Pot. The ignitor tip does not glow red, but gets extremely hot and will burn. Do not touch the ignitor.
3. Once verified that all electric components are working correctly, press and hold the Power Button for three seconds to turn the unit off.
4. Open the hopper lid. Ensure there are no foreign objects in the hopper or auger feed system. Fill the hopper with dry, all natural barbecue hardwood pellets.
5. Press the Power Button to turn the unit on again. The grill start-up cycle has a preset temperature of 176°C / 350°F, so it will begin to heat up. Press and hold the Prime Button until you see pellets on the inside of the grill from the auger tube. Once pellets begin to drop into the Burn Pot, release the Prime Button.
6. Press and hold the Power Button for three seconds to turn the unit off.
7. Re-install the cooking components into the Main Barrel. The grill is now ready to use.

FIRST USE – GRILL BURN-OFF

Once your hopper has been primed and before cooking on your grill for the first time, it is important to complete a grill burn-off. Start the grill and operate at any temperature over 176°C / 350°F (with the lid down) for 30 to 40 minutes to burn-off the grill and rid it of any foreign matter.

AUTOMATIC START-UP PROCEDURE

1. Plug the power cord into a grounded power source. Open the Main Barrel lid. Check the Burn Pot to ensure there is no obstruction for proper ignition. Open the hopper lid. Ensure there are no foreign objects in the hopper or auger feed system. Fill the hopper with dry, all natural barbecue hardwood pellets.
2. Press the Power Button to turn the unit on. This will activate the start-up cycle. The auger feed system will begin to turn, the ignitor will begin to glow and the fan will supply air to the Burn Pot. The grill will begin to produce smoke while the start-up cycle is taking place. The barrel lid must remain open during the start-up cycle. To confirm the start-up cycle has begun properly, listen for a torchy roar, and notice some heat being produced.
3. Once the heavy, white smoke has dissipated, the start-up cycle is complete and you are ready to enjoy your grill at your desired temperature!

SHUTTING OFF YOUR GRILL

1. When finished cooking, with the Main Barrel lid remaining closed, press and hold the the Power Button for three seconds to Power-down the unit. The grill will begin its automatic cool-down cycle. The auger system will stop feeding fuel, the flame will burn out, and the fan will continue to run until the cool-down cycle is complete.

CARE AND MAINTENANCE

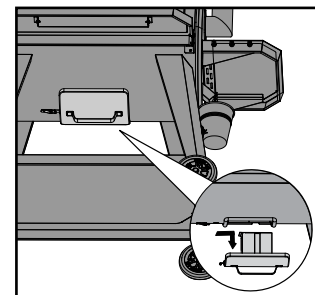
WARNING: Always disconnect the electrical cord prior to opening the grill for any inspection, cleaning, maintenance or service work. Ensure the grill is completely cooled to avoid injury.

Any Pit Boss® unit will give you many years of flavorful service with minimum cleaning. Follow these cleaning and maintenance tips to service your grill:

1. ASH CLEAN-OUT

- At the bottom of the grill barrel is an ash cleanout feature, giving you easy access to the inside of your fire box to easily clean it as often as needed. To empty, release the buckle latch on the ash box hook. While holding the handle, slide the ash box away from the buckle, then pull down to remove. Once emptied, replace the ash box by lifting it back into the bottom of the grill barrel, sliding the ash box towards the buckle, then fastening the ash box hook with the buckle latch.

WARNING: This feature can only be operated when the grill is cooled down.



2. HOPPER ASSEMBLY

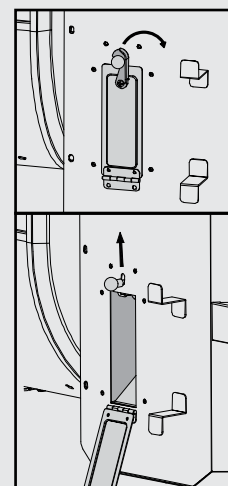
- Running all pellets out of your auger system is recommended if your grill will be unused for an extended period of time. This can be done by simply running your grill, on an empty hopper, until all pellets have emptied from the auger tube.
- Check and clean off any debris from the fan air intake vent, found on the bottom of the hopper. Once the hopper access panel is removed (see **Electric Wire Diagram** for diagram), carefully wipe off any grease build-up directly on the fan blades. This ensures airflow is sufficient to the feed system.

HOPPER CLEAN-OUT FEATURE

The hopper includes a clean-out feature to allow for easy cleaning and the ability to change out wood pellet fuel flavors. To empty, follow these steps:

- Locate the clean-out door and door hook on the back side of the hopper.
- Rotate the door hook (at the top) to the right so it is detached from the release latch rod. Place a clean, empty pail under the clean-out door and allow the door to lower. Lift the release latch rod to open the drop-chute plate, allowing the pellets from the hopper to empty.
- Once empty, push the drop-chute plate back up into place by hand. It will lock into place. Close the clean-out door and rotate the door hook back onto the release latch rod to secure.

NOTE: Use a long handled brush or shop-vac to remove excess pellets, sawdust, and debris for a complete clean-out through the hopper screen.



3. PROBES

- Kinks or folds in the probe wires may cause damage. A meat probe not in use should be rolled up in a large, loose coil.
- Although both the grill probe and the meat probes are stainless steel, do not place in the dishwasher or submerge in water. Water damage to the internal wires will cause a probe to short-out, causing false readings. If a probe is damaged, it should be replaced.

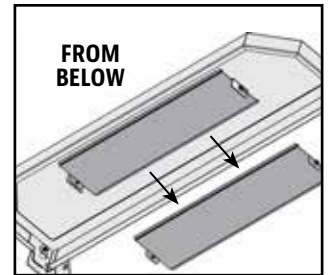
4. **INSIDE SURFACES**

- It is recommended to clean your Burn Pot after every few uses. This will ensure proper ignition and avoid any hard build-up of debris or ash in the Burn Pot.
- Use a long-handled grill cleaning brush, remove any food or build-up from the cooking grids. Best practice is to do this while they are still warm from a previous cook. Grease fires are caused by too much fallen debris on the cooking components of the grill. Clean the inside of your grill on a consistent basis. In the event you experience a grease fire, keep the grill lid closed to choke out the fire. If the fire does not go out quickly, carefully remove the food, turn the grill off, and shut the lid until the fire is completely out. Lightly sprinkle baking soda, if available.
- Check your grease bucket often, and clean out as necessary. Keep in mind the type of cooking you do.

IMPORTANT: Due to high heat, do not cover the Flame Broiler or probes with aluminum foil.

5. **OUTSIDE SURFACES**

- The front shelf includes a removable panel underneath for ease of cleaning. From below, push the backing plate towards the Main Barrel to remove. Clean, then replace by sliding back into place.
- Wipe your grill down after each use. Use warm soapy water to cut the grease. Do not use oven cleaner, abrasive cleansers or abrasive cleaning pads on the outside grill surfaces. **All painted surfaces are not covered under warranty, but rather are part of general maintenance and upkeep.** For paint scratches, wearing, or flaking of the finish, all painted surfaces can be touched up using high heat BBQ paint.
- Use a grill cover to protect your grill for complete protection! A cover is your best protection against weather and outside pollutants. When not in use or for longterm storage, keep the unit under a cover in a garage or shed.



CLEANING FREQUENCY TIME TABLE (NORMAL USE)

ITEM	CLEANING FREQUENCY	CLEANING METHOD
Bottom of Main Grill	Every 5-6 Grill Sessions	Scoop Out, Shop-Vac Excess Debris
Burn Pot	Every 2-3 Grill Sessions	Scoop Out, Shop-Vac Excess Debris
Cooking Grids	After Each Grill Session	Burn Off Excess, Brass Wire Brush
Flame Broiler	Every 5-6 Grill Sessions	Scrape Main Plate with Slider, Do Not Wash Clean
Shelves	After Each Grill Session	Scrub Pad & Soapy Water
Grease Bucket	After Each Grill Session	Scrub Pad & Soapy Water
Auger Feed System	When Pellet Bag is Empty	Allow Auger to Push Out Sawdust, Leaving Hopper Empty
Hopper Electric Components	Once A Year	Dust Out Interior, Wipe Fan Blades with Soapy Water
Air Intake Vent	Every 5-6 Grill Sessions	Dust, Scrub Pad & Soapy Water
Grill Probe	Every 2-3 Grill Sessions	Scrub Pad & Soapy Water

TIPS & TECHNIQUES

Follow these helpful tips and techniques, passed on from Pit Boss® owners, our staff, and customers just like you, to become more familiar with your grill:

1. *FOOD SAFETY*

- Keep everything in the kitchen and cooking area clean. Use different platters and utensils for the cooked meat than the ones you used to prepare or transport the raw meat out to the grill. This will prevent cross contamination of bacteria. Each marinade or basting sauce should have its own utensil.
- Keep hot foods hot (above 60°C / 140°F), and keep cold foods cold (below 3°C / 37°F).
- A marinade should never be saved to use at a later time. If you are going to use it to serve with your meat, be sure to bring it to a boil before serving.
- Cooked foods should not be left out in the heat for more than an hour. Do not leave hot foods out of refrigeration for more than two hours.
- Defrost and marinate meats by refrigeration. Do not thaw meat at room temperature or on a counter top. Bacteria can grow and multiply rapidly in warm, moist foods. Wash hands thoroughly with hot, soapy water before starting any meal preparation and after handling fresh meat, fish and poultry.

2. *COOKING PREPARATION*

- Be prepared, or ***Mise en Place***. This refers to preparing the cooking recipe, fuel, accessories, utensils, and all ingredients you require at grill side before you start cooking. Also, read the entire recipe, start to finish, before lighting the grill.
- A BBQ floor mat is very useful. Due to food handling accidents and cooking spatter, a BBQ floor mat would protect a deck, patio, or stone platform from the possibility of grease stains or accidental spills.

3. *GRILLING TIPS AND TECHNIQUES*

- To infuse more smoke flavor into your meats, cook longer and at lower temperatures (also known as ***low and slow***). Meat will close its fibers after it reaches an internal temperature of 49°C / 120°F. Misting, or mopping, are great ways to keep meat from drying out.
- While searing your meats, cook with the lid down. Always use a meat thermometer to determine the internal temperature of the foods you are cooking. Smoking foods with hardwood pellets will turn meats and poultry pink. The band of pink (after cooking) is referred to as a ***smoke ring*** and is highly prized by outdoor chefs.
- Sugar-based sauces are best applied near the end of cooking to prevent burning and flare-ups.
- Leave open space between the foods and the extremities of the barrel for proper heat flow. Food on a crowded grill will require more cooking time.
- Use a set of long-handled tongs for turning meats, and a spatula for turning burgers and fish. Using a piercing utensil, such as a fork, will prick the meat and allow the juices to escape.
- Foods in deep casserole dishes will require more time to cook than a shallow baking pan.
- It's a good idea to put cooked food onto a heated platter, keeping the food warm. Red meats, such as steak and roasts, benefit from resting for several minutes before serving. It allows the juices that were driven to the surface by heat to ease back to the center of the meat, adding more flavor.

TROUBLESHOOTING

Proper cleaning, maintenance and the use of clean, dry, quality fuel will prevent common operational problems. When your Pit Boss® grill is operating poorly, or on a less frequent basis, the following troubleshooting tips may be helpful. For FAQ, please visit www.pitboss-grills.com. You may also contact your local Pit Boss® authorized dealer or contact Customer Care for assistance.

WARNING: Always disconnect the electrical cord prior to opening the grill for any inspection, cleaning, maintenance or service work. Ensure the grill is completely cooled to avoid injury.

PROBLEM	CAUSE	SOLUTION
No Power Lights On The Control Board	Not Connected To Power Source	Ensure unit is plugged into a working power source. Reset breaker. Ensure GFCI is a minimum 10 Amp service (see Electric Wire Diagram for access to electric components) Ensure all wire connections are firmly connected and dry.
	Fuse Blown On The Control Board	Remove hopper access panel (see Electric Wire Diagram for diagram), press in plastic tabs holding the control board in place and carefully pull controller inside the hopper to release controller. Check the fuse for a broken wire or if the wire has turned black. If yes, fuse needs to be manually replaced.
	Faulty Control Board	Control Board needs to be replaced. Contact Customer Care for a replacement part.
Fire in Burn Pot Will Not Light	Auger Not Primed	Before the unit is used for the first time or anytime the hopper is completely emptied out, the auger must be primed to allow pellets to fill the auger tube. If not primed, the ignitor will timeout before the pellets reach the Burn Pot. Follow Hopper Priming Procedure .
	Auger Motor Is Jammed	Remove cooking components from the Main Barrel. Press the Power Button to turn the unit on and inspect the auger feed system. Visually confirm that the auger is dropping pellets into the Burn Pot. If not operating properly, call Customer Care for assistance or a replacement part.
	Ignitor Failure	Remove cooking components from the Main Barrel. Press the Power Button to turn the unit on and inspect the ignitor. Visually confirm that the ignitor is working by placing your hand above the Burn Pot and feeling for heat. Visually confirm that the ignitor is protruding approximately 13mm / 0.5 inches in the Burn Pot. If not operating properly, call Customer Care for assistance or a replacement part.
Readout of actual temperature will not adjust	Grill probe dirty	Follow care and maintenance instructions.
	Grill probe is broken	Grill probe needs to be replaced. Contact Customer Care.
Grill Will Not Achieve Or Maintain Stable Temperature	Insufficient Air Flow Through Burn Pot	Check Burn Pot for ash build-up or obstructions. Follow Care and Maintenance instructions for ash build-up. Check fan. Ensure it is working properly and air intake is not blocked. Follow Care and Maintenance instructions if dirty. Check auger motor to confirm operation, and ensure there is no blockage in the auger tube. Once all the above steps have been done, start the grill, set temperature to SMOKE and wait for 10 minutes. Check that the flame produced is bright and vibrant.
	Lack Of Fuel, Poor Fuel Quality, Obstruction In Feed System	Check hopper to check that fuel level is sufficient, and replenish if low. Should the quality of wood pellets be poor, or the length of the pellets too long, this may cause an obstruction in the feed system. Remove pellets and follow Care and Maintenance instructions.
	Grill Probe	Check status of grill probe. Follow Care and Maintenance instructions if dirty. Contact Customer Care for a replacement part if damaged.
Grill Produces Excess Or Discolored Smoke	Grease Build-Up	Follow Care and Maintenance instructions.
	Wood Pellet Quality	Remove moist wood pellets from hopper. Follow Care and Maintenance instructions to clean out. Replace with dry wood pellets.
	Burn Pot Is Blocked	Clear Burn Pot for moist wood pellets. Follow Hopper Priming Procedure .
	Insufficient Air Intake For Fan	Check fan. Ensure it is working properly and air intake is not blocked. Follow Care and Maintenance instructions if dirty.

Frequent Flare-Ups	Cooking Temperature	Attempt cooking at a lower temperature. Grease does have a flash point. Keep the temperature under 176°C / 350°F when cooking highly greasy food.
	Grease Build-Up On Cooking Components	Follow Care and Maintenance instructions.
ErP Error Code	Unit Not Turned Off Properly When Last Connected To Power	Safety feature prevents an automatic restart. Press and hold the Power Button for three seconds to turn the unit off, wait two minutes, then press the Power Button to turn the unit on again. Turn to desired temperature. If error code still displayed, contact Customer Care.
	Power Outage While Unit In Operation	
ErH Error Code	The Unit Has Overheated, Possibly Due To Grease Fire Or Excess Fuel	Press hold the Power Button for three seconds to turn the unit off, and allow grill to cool. Follow Care and Maintenance instructions. After maintenance, remove pellets, and confirm positioning of all component parts. Once cooled, press the Power Button to turn the unit on, then select desired temperature. If error code still displayed, contact Customer Care.
ErL Error Code	Grill fails to perform start-up cycle	Check proper positioning of cooking components. Check hopper for sufficient fuel or if there is an obstruction in the feed system. Remove pellets and follow Care and Maintenance instructions. Check grill probe. Confirm if actual temperature is correct and accurate. Follow Care and Maintenance instructions if dirty. Check ignitor positioning and that it is heating up properly. In extreme cold, the grill may require a second start. Turn grill off, wait, then turn on again. Check fan. Ensure it is working properly. Follow Care and Maintenance instructions if dirty.
	Grill will not stay lit	
PELLET Error Code Blinking	Lack Of Fuel, Poor Fuel Quality, Obstruction In Feed System, Jammed Auger	Check hopper to check that fuel level is sufficient and replenish if low. Should the quality of wood pellets be poor, or the length of the pellets too long, this may cause an obstruction in the feed system. Remove pellets and follow Care and Maintenance instructions.
IGNITOR Error Code Blinking	Ignitor is not working properly, not making a connection	Remove cooking components from the Main Barrel. Press the Power Button to turn the unit on and inspect the igniter. Visually confirm that the igniter is working by placing your hand above the burn grate and feeling for heat. Visually confirm that the igniter is aligned with the hole in the burn grate, and open to light the pellets. If not operating properly, call Customer Care for assistance or a replacement part.
	Ignitor failure	Igniter needs to be replaced. Contact Customer Care for replacement part.
AUGER Error Code Blinking	Auger not primed	Before the unit is used for the first time or anytime the hopper is completely emptied out, the auger must be primed to allow pellets to fill the feed system. If not primed, the igniter will timeout before the pellets ignite. Follow Hopper Priming Procedure .
	Auger motor is jammed, not making connection	Remove cooking components from the Main Barrel. Press the Power Button to turn the unit on and inspect the auger feed system. Visually confirm that the auger is dropping pellets into the burn pot. If not operating properly, call Customer Care for assistance or a replacement part.
FAN Error Code Blinking	Fan is not working properly, not making a connection	Check fan. Ensure it is working properly and air intake is not blocked. Remove hopper access panel (see Electric Wire Diagram for diagram), and check for any damage to the fan wires. Follow Care and Maintenance instructions if fan blades are dirty.

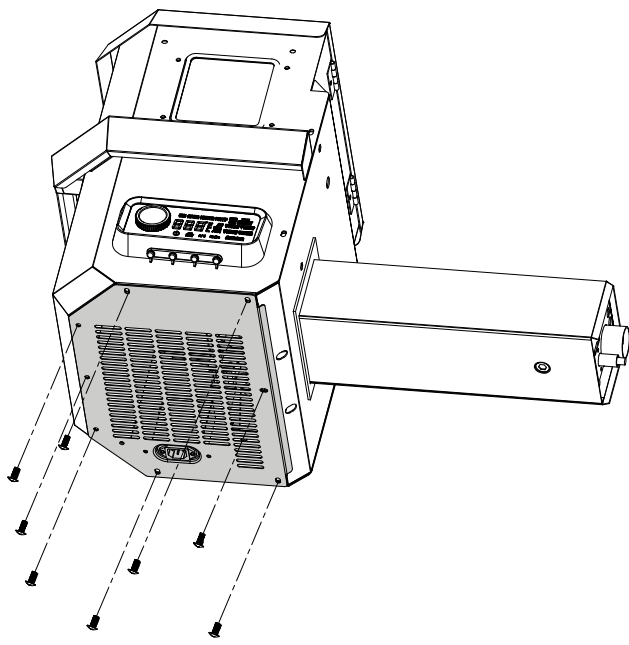
ELECTRICAL WIRE DIAGRAM

The Digital Control Board system is an intricate and valuable piece of technology. For protection from power surges and electrical shorts, consult the wire diagram below to ensure your power source is sufficient for the operation of the unit.

PB – ELECTRIC REQUIREMENTS
220-240 V, 50 Hz, 275 W, 3-PRONG GROUNDED PLUG

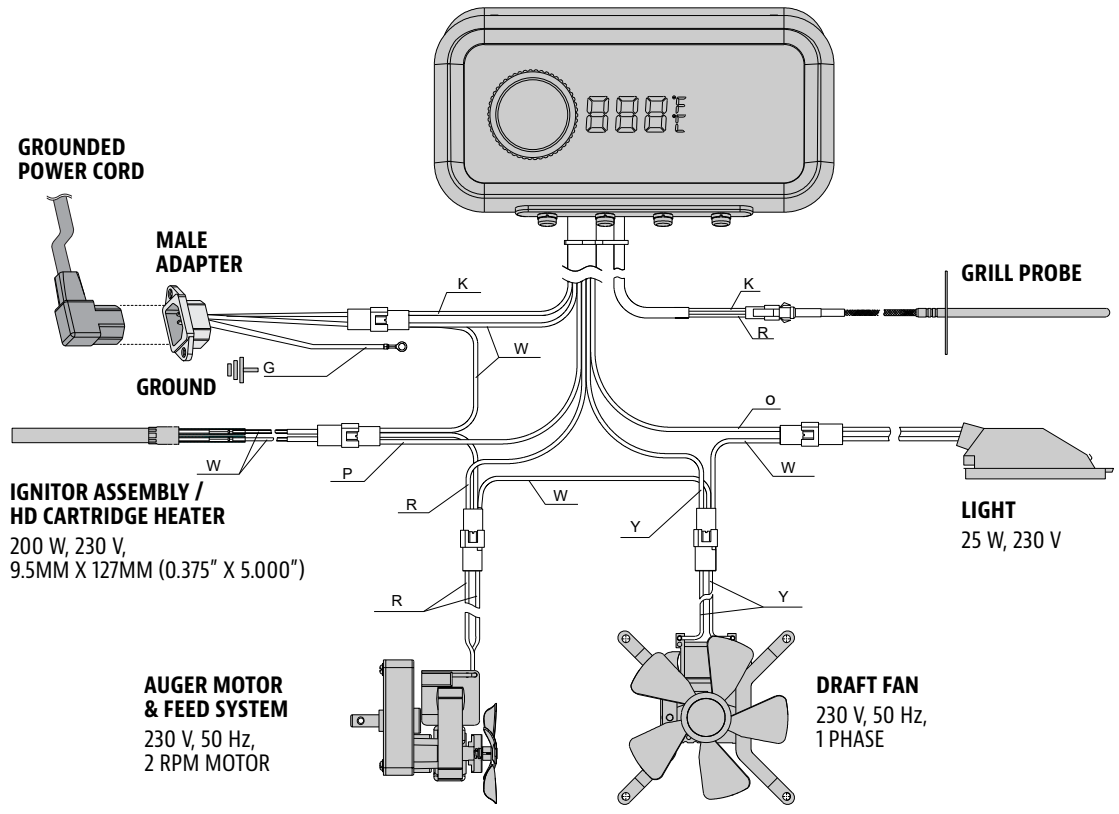
NOTE: Electrical components, passed by product safety testing and certification services, comply with a testing tolerance of ± 5-10 percent.

LOCATE AND REMOVE THE EIGHT SCREWS OF ACCESS PANEL ON UNDERSIDE OF UNIT



FUEL INPUT RATING:
 2.0 KG/H
 (4.4 LB/H)

CONTROL BOARD



GROUNDED POWER CORD

MALE ADAPTER

GROUND

IGNITOR ASSEMBLY / HD CARTRIDGE HEATER
 200 W, 230 V,
 9.5MM X 127MM (0.375" X 5.000")

AUGER MOTOR & FEED SYSTEM
 230 V, 50 Hz,
 2 RPM MOTOR

DRAFT FAN
 230 V, 50 Hz,
 1 PHASE

GRILL PROBE

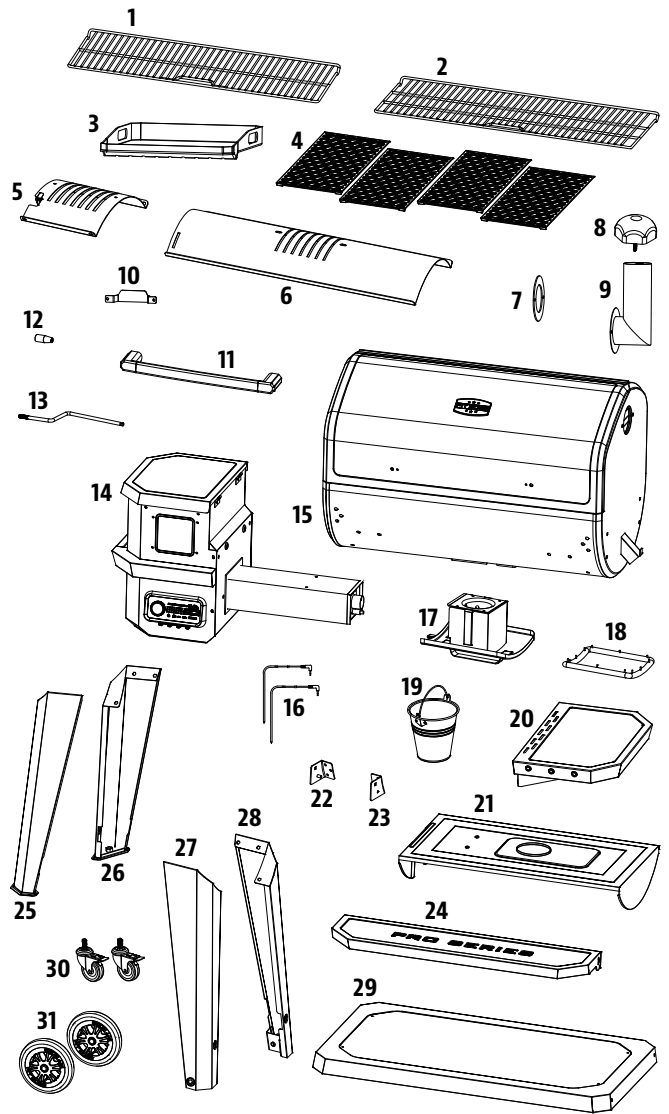
LIGHT
 25 W, 230 V

INDEX

- K : BLACK
- W : WHITE
- R : RED
- Y : YELLOW
- P : PURPLE
- O : ORANGE
- G : GREEN

GRILL REPLACEMENT PARTS

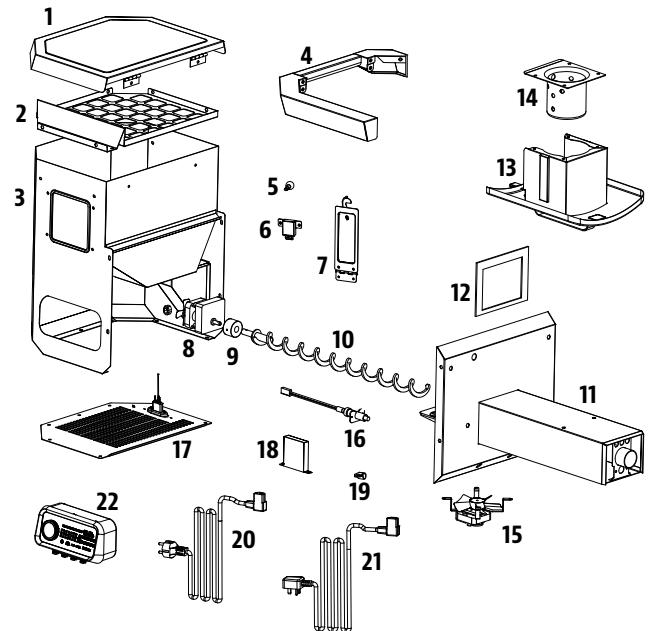
Part#	Description
1	Top Cooking Rack (x1)
2	Middle Cooking Rack (x1)
3	Griddle (x1)
4	Cooking Grids (x4)
5	Flame Broiler Slider (x1)
6	Flame Broiler Main Plate (x1)
7	Chimney Gasket (x1)
8	Chimney Cap (x1)
9	Chimney Stack (x1)
10	Rack Hanger (x1)
11	Lid Handle (x1)
12	Flame Broiler Adjusting Bar Handle (x1)
13	Flame Broiler Adjusting Bar (x1)
14	Hopper Assembly (x1)
15	Main Barrel (x1)
16	Meat Probe (x2)
17	Ash Box (x1)
18	Ash Box Gasket (x1)
19	Grease Bucket (x1)
20	Side Shelf (x1)
21	Diffuser Plate (x1)
22	Front Shelf Bracket / Left (x1)
23	Front Shelf Bracket / Right (x1)
24	Front Shelf (x1)
25	Left Support Leg - Front (x1)
26	Left Support Leg - Back (x1)
27	Right Support Leg - Front (x1)
28	Right Support Leg - Back (x1)
29	Bottom Shelf (x1)
30	Locking Caster Wheels (x2)
31	Wheel (x2)
A	Screw (x28)
B	Washer (x24)
C	Locking Washer (x22)
D	Tool Hook (x3)
E	Wheel Cotter Pin (x2)
F	Wheel Washer (x2)
G	Wheel Axle Pin (x2)
H	Screw (x2)
I	Nut (x2)
J	Bushing (x2)



NOTE: Due to ongoing product development, parts are subject to change without notice.

HOPPER REPLACEMENT PARTS

Part#	Description
1	Hopper Lid (x1)
2	Hopper Safety Screen (x1)
3	Hopper Box Housing (x1)
4	Hopper Handle (x1)
5	Drop Chute Locker Handle (x1)
6	Drop Chute Assembly (x1)
7	Drop Chute Door (x1)
8	Auger Motor (x1)
9	Nylon Bushing (x1)
10	Auger Flighting Assembly (x1)
11	Auger Box Housing (x1)
12	Hopper Housing Gasket (x1)
13	Ash Box (x1)
14	Burn Pot (x1)
15	Combustion Fan (x1)
16	Ignitor (x1)
17	Hopper Access Panel (x1)
18	Power Cord Waterproof Cover (x1)
19	Power Cord Clip (x1)
20	Power Cord - F Plug (x1)
21	Power Cord - G Plug (x1)
22	Control Board (x1)



WARRANTY

CONDITIONS

All wood pellet grills by Pit Boss®, manufactured by Dansons, carry a limited warranty from the date of sale by the original owner. The warranty coverage begins on the original date of purchase and proof of date of purchase, or copy of original bill of sale, is required to validate the warranty. Customers will be subject to parts, shipping, and handling fees if unable to provide proof of the purchase or after the warranty has expired. Dansons carries a five (5) year warranty against defects and workmanship on all parts, and five (5) years on electrical components. Dansons warrants that all part(s) are free of defects in material and workmanship, for the length of use and ownership of the original purchaser. Warranty does not cover damage from wear and tear, such as scratches, dents, dings, chips or minor cosmetic cracks. These aesthetic changes of the grill do not affect its performance. Repair or replacement of any part does not extend past the limited warranty beyond the five (5) years from date of purchase.

During the term of the warranty, Dansons' obligation shall be limited to furnishing a replacement for defective and/or failed components. As long as it is within the warranty period, Dansons' will not charge for repair or replacement for parts returned, freight prepaid, if the part(s) are found by Dansons' to be defective upon examination. Dansons' shall not be liable for transportation charges, labor costs, or export duties. Except as provided in these conditions of warranty, repair or replacement of parts in the manner and for the period of time mentioned heretofore shall constitute the fulfillment of all direct and derivate liabilities and obligations from Dansons to you.

Dansons takes every precaution to utilize materials that retard rust. Even with these safeguards, the protective coatings can be compromised by various substances and conditions beyond Dansons' control. High temperatures, excessive humidity, chlorine, industrial fumes, fertilizers, lawn pesticides and salt are some of the substances that can affect metal coatings. For these reasons, the warranty does not cover rust or oxidization, unless there is loss of structural integrity on the grill component. Should any of the above occur, kindly refer to the care and maintenance section to prolong the lifespan of your unit. Dansons recommends the use of a grill cover when the grill is not in use. This warranty is based on normal domestic use and service of the grill and neither limited warranty coverage's apply for a grill which is used in commercial applications.

EXCEPTIONS

There is no written or implied performance warranty on Pit Boss® grills, as the manufacturer has no control over the installation, operation, cleaning, maintenance or the type of fuel burned. This warranty will not apply nor will Dansons assume responsibility if your appliance has not been installed, operated, cleaned and maintained in strict accordance with this owner's manual. Any use of gas not outlined in this manual may void the warranty. The warranty does not cover damage or breakage due to misuse, improper handling or modifications. Neither Dansons, or authorized Pit Boss® dealer, accepts responsibility, legal or otherwise, for the incidental or consequential damage to the property or persons resulting from the use of this product. Whether a claim is made against Dansons based on the breach of this warranty or any other type of warranty expressed or implied by law, the manufacturer shall in no event be liable for any special, indirect, consequential or other damages of any nature whatsoever in excess of the original purchase of this product. All warranties by manufacturer are set forth herein and no claim shall be made against manufacturer on any warranty or representation. Some states do not allow the exclusion or limitation of incidental or consequential damages, or limitations of implied warranties, so the limitations or exclusions set forth in this limited warranty may not apply to you. This limited warranty gives you specific legal rights and you may have other rights, which vary from state to state.

ORDERING REPLACEMENT PARTS

To order replacement parts, please contact your local Pit Boss® dealer or visit our online store at: www.pitboss-grills.com

CONTACT CUSTOMER CARE

If you have any questions or problems, contact Customer Care: www.pitboss-grills.com

WARRANTY SERVICE

Contact your nearest Pit Boss® dealer for repair or replacement parts. Dansons requires proof of purchase to establish a warranty claim; therefore, retain your original sales receipt or invoice for future reference. The serial and model number of your Pit Boss® can be found inside the lid of the hopper. Record numbers below as the label may become worn or illegible.

MODEL

SERIAL NUMBER

DATE OF PURCHASE

AUTHORIZED DEALER

INFORMATIONS DE SÉCURITÉ

LES CAUSES MAJEURES DES INCENDIES D'APPAREILS SONT LE RÉSULTAT D'UN MAUVAIS ENTRETIEN ET D'UN DÉFAUT DE MAINTENIR DU DÉGAGEMENT REQUIS POUR LES MATÉRIAUX COMBUSTIBLES. IL EST D'UNE IMPORTANCE CRUCIALE QUE CE PRODUIT SOIT UTILISÉ SEULEMENT CONFORMÉMENT AUX INSTRUCTIONS SUIVANTES.

Veillez lire et comprendre ce manuel avant d'assembler, d'utiliser ou d'installer le produit. Cela vous assurera de profiter au mieux et sans soucis de votre nouveau gril à granulés de bois. Nous vous conseillons également de conserver ce manuel pour référence ultérieure.

DANGERS ET AVERTISSEMENTS

Vous devez communiquer avec votre municipalité, vos autorités locales en matière de feu ou de construction ou toute autre autorité compétente afin d'obtenir les permis nécessaires, la permission ou des renseignements sur toutes les restrictions d'installation, y compris ceux relatifs à l'installation d'un gril sur une surface combustible, aux règles d'inspection ou encore aux permis d'utilisation dans votre région.

1. Un dégagement minimum de 914 mm (36 pouces) des constructions combustibles sur les côtés du grill et 914 mm (36 pouces) de l'arrière du grill aux constructions combustibles doit être maintenu. **Ne pas installer l'appareil sur des planchers non combustibles ou des planchers protégés par des surfaces non combustibles à moins que des permis et autorisations adéquates n'aient été obtenus par les autorités compétentes.** Cet appareil à granulés de bois ne doit pas être placé sous un plafond ou un surplomb combustible. Gardez votre gril dans une zone dégagée et exempte de matières combustibles, d'essence et d'autres vapeurs et liquides inflammables.

En cas d'incendie de graisse, éteignez le grill et laissez le couvercle fermé jusqu'à ce que le feu soit éteint. Débranchez le cordon d'alimentation de la prise connectée. NE PAS jeter d'eau dessus. NE PAS essayer d'étouffer le feu. L'utilisation d'un extincteur approuvé toutes classes (classe ABC) est précieuse à conserver sur place. Si un incendie non contrôlé se produit, appelez les pompiers.

2. Maintenez les câbles électriques et les combustibles loin des surfaces chauffées. N'utilisez pas votre gril sous la pluie ou près d'une source d'eau. Si le cordon d'alimentation est endommagé, il doit être remplacé par le fabricant, son agent de service ou des personnes de qualification similaire afin d'éviter tout danger.
3. Après une période de stockage ou de non utilisation, vérifiez qu'il n'y a pas d'obstruction au niveau de la grille de combustion et pas de blocage de l'air au niveau de la trémie. Nettoyer avant utilisation. **Si le grill est entreposé dehors pendant la saison des pluies ou les saisons de forte humidité, toutes les précautions devraient être prises pour veiller à ce que l'eau n'entre pas dans la trémie.** Vous devez toujours débrancher le gril avant d'effectuer un service ou un entretien.

Ne pas transporter votre gril pendant son utilisation ou pendant qu'il est chaud. Assurez-vous que le feu est complètement éteint et que le grill est complètement frais avant le déplacement.

4. Il est recommandé d'utiliser des gants ou des gants de barbecue résistant à la chaleur lors de l'utilisation du grill. Ne pas utiliser d'accessoires n'ayant pas été conçus pour être utilisés avec cet appareil. Ne pas mettre de couvercle de barbecue ou tout autre matière inflammable dans la zone d'espace de stockage sous le barbecue.

5. Pour éviter toute blessure ou endommagement de la tარიère, l'appareil comporte un écran de sécurité de la trémie métallique. Cet écran ne doit pas être retiré sauf indication contraire du service à la clientèle de dansons ou d'un fournisseur de service autorisé.

Cet appareil peut être utilisé par des enfants âgés de 8 ans et plus et des personnes ayant des capacités physiques, sensorielles ou mentales réduites ou un manque d'expérience et de connaissances s'ils ont reçu une supervision ou des instructions concernant l'utilisation de l'appareil en toute sécurité et comprennent les risques. Impliqué. Les enfants ne doivent pas jouer avec l'appareil. Le nettoyage et l'entretien par l'utilisateur ne doivent pas être effectués par des enfants sans surveillance.

6. Certaines parties du barbecue peuvent être très chaudes et des blessures graves peuvent survenir. Tenir hors de portée des jeunes enfants et des animaux domestiques lors de l'utilisation.
7. Ne pas élargir les orifices de la grille de combustion, des trous de l'allumeur ou des pots de combustion. Le non-respect de cet avertissement pourrait entraîner un risque d'incendie et des dommages corporels et annulera votre garantie.
8. El producto puede tener bordes o puntos afilados. El contacto puede provocar lesiones. Tratar con cuidado.

ÉLIMINATION DES CENDRES

Les cendres devraient être déposées dans un contenant métallique avec couvercle hermétique. Le contenant fermé de cendres devrait être placé sur un plancher non combustible ou sur le sol, loin de toute matière combustible en attendant leur élimination définitive. Lorsque les cendres sont disposées par enterrement dans le sol, ou dispersées localement, elles doivent être conservées dans un récipient fermé jusqu'à ce que toutes les cendres aient été complètement refroidies.

COMBUSTIBLE GRANULES DE BOIS

Cet appareil de cuisson à granules est conçu et approuvé uniquement pour le bois aggloméré, entièrement naturel. Tout autre type de consommation de carburant dans cet appareil annulera la garantie et la norme de sécurité. Vous devez uniquement utiliser les pastilles de bois naturelles, conçues pour brûler dans les grils de bbq à pastilles. Ne pas utiliser de carburant avec des additifs. Les granules de bois sont très sensibles à l'humidité et doivent toujours être stockés dans un contenant hermétique. Si vous rangez votre gril sans utilisation pendant une période prolongée, nous vous recommandons de retirer tous les granulés de votre trémie et de votre vis sans fin pour éviter les bourrages. Le pouvoir calorifique moyen des granulés se situe entre 5,17 et 5,67 kWh/kg, avec un taux de cendre < 1 %.

Ne pas utiliser d'alcool, d'essence, de pétrole, d'essence à briquet ou du kérosène pour allumer ou faire reprendre un feu dans votre gril. Conservez tous ces liquides loin du gril lorsque celui-ci fonctionne.

Au l'impression de ce manuel, il n'y a pas de norme industrielle pour les granulés de bois de barbecue, bien que la plupart des usines de granulés utilisent les mêmes normes pour fabriquer des granulés de bois à usage domestique. Vous trouverez plus d'informations sur www.pelletheat.org ou sur Pellet Fuel Institute.

Contactez votre revendeur local au sujet de la qualité des granulés dans votre région et pour des informations sur la qualité de la marque. Comme il n'y a pas de contrôle sur la qualité des pastilles utilisées, nous n'assumons aucune responsabilité à l'égard des dommages causés par une mauvaise qualité du carburant.

CRÉOSOTE

La créosote, ou la suie, est une substance semblable à celle du goudron. Lors de la combustion, il produit de la fumée noire avec un résidu qui est également de couleur noire. La suie ou la créosote est formée lorsque l'appareil fonctionne incorrectement, par exemple: position incorrecte de la grille de combustion, blocage du ventilateur de combustion, défaut de nettoyage et entretien de la zone de combustion, granules touchés par l'humidité, ou mauvaise combustion air-carburant.

Il est dangereux de faire fonctionner cet appareil si la flamme devient sombre, de suie, ou si le pot de combustion est trop rempli de granulés. Lorsqu'elle est enflammée, cette accumulation de créosote produit un feu extrêmement vif et non maîtrisé, similaire à un feu de graisse. Dans ce cas, éteignez l'appareil, laissez-le refroidir complètement, puis inspectez-le pour l'entretien et le nettoyage. Il s'accumule généralement le long des zones d'échappement.

Si de la créosote s'est accumulée dans l'unité, laissez l'unité se réchauffer à basse température, éteignez l'appareil, puis essuyez toute formation à l'aide d'une serviette à main. À l'instar du goudron, il est beaucoup plus facile de nettoyer au chaud, car il devient liquide.

LE MONOXYDE DE CARBONE (« LE TUEUR SILENCIEUX »)

Le monoxyde de carbone est un gaz incolore, inodore et sans goût produit par la combustion des gaz, du bois, du propane, du charbon ou d'autres combustibles. Le monoxyde de carbone réduit la capacité du sang à transporter l'oxygène. Les faibles niveaux d'oxygène sanguin peuvent entraîner des maux de tête, des étourdissements, des faiblesses, des nausées, des vomissements, de la somnolence, de la confusion, de la perte de conscience ou la mort. Suivez les directives suivantes pour empêcher ce gaz incolore et inodore de vous empoisonner ainsi que votre famille et les autres :

- Consultez un médecin si vous ou les autres développez des symptômes similaires à un rhume ou la grippe quand vous cuisinez ou quand vous vous trouvez à proximité de l'appareil. L'empoisonnement au monoxyde de carbone, qui peut facilement être confondu avec le rhume ou la grippe, est souvent détecté trop tard.
- La consommation d'alcool et de drogues augment les effets de l'empoisonnement au monoxyde de carbone.

Le monoxyde de carbone est particulièrement toxique pour la mère et l'enfant pendant la grossesse, pour les nourrissons, les personnes âgées, les fumeurs et les personnes souffrant de problèmes de circulation sanguine ou du système circulatoire, tels que l'anémie ou les maladies cardiaques.

INFORMATIONS RELATIVES À LA SÉCURITÉ

Conforme aux normes EN 60335-2-102:2016, EN 60335-1:2012 + A11:2014 + A13:2017 + A1: 2019 + A14: 2019 + A2: 2019, EN62233: 2008, EN 55014-1:2017, EN IEC 61000-3-2:2019, EN 61000-3-3:2013+A1:2019, EN 55014-2:2015.



DÉCLARATION DE CONFORMITÉ FCC

Cet appareil est conforme à la section 15 de la réglementation de la FCC. Son utilisation est soumise aux deux conditions suivantes : (1) Cet appareil ne doit pas causer d'interférences nuisibles et (2) Cet appareil doit accepter toutes les interférences reçues, y compris celles pouvant entraîner un fonctionnement indésirable.



Cet équipement a été testé et déclaré conforme aux limites imposées aux appareils numériques de classe B, conformément à la section 15 du règlement de la FCC. Ces limites sont conçues pour offrir une protection raisonnable contre les interférences nuisibles dans une installation résidentielle. Cet équipement génère et peut émettre de l'énergie de fréquence radio. S'il n'est pas installé et utilisé selon les instructions, il peut produire des interférences nuisibles aux communications radio. Cependant, il n'existe aucune garantie que de telles interférences ne se produiront pas dans une installation particulière. Si cet équipement cause des interférences nuisibles à la réception radio ou télévisuelle, ce que l'utilisateur peut déterminer en allumant ou en éteignant l'équipement, l'utilisateur est invité à essayer de corriger ces interférences en prenant une ou plusieurs des mesures suivantes :

- Réorienter ou déplacer l'antenne réceptrice.
- Augmenter la distance séparant l'appareil du récepteur.
- Brancher l'appareil sur un circuit différent de celui du récepteur.
- Consulter le fournisseur ou un technicien qualifié de la radio ou de la télévision afin d'obtenir de l'aide.

Attention: l'utilisateur est averti que les changements ou modifications non expressément approuvés par la partie responsable de la conformité pourraient annuler le droit de l'utilisateur à utiliser l'équipement.

La marque et le logo Bluetooth® sont des marques déposées appartenant à Bluetooth® SIG, Inc. et toute utilisation de ces marques par Espressif est sous licence. Les autres marques et noms commerciaux appartiennent à leurs propriétaires respectifs.



DÉCLARATION CONCERNANT LES DROITS D'AUTEUR

Copyright 2021. Tous droits réservés. Aucune partie de ce manuel ne peut être copiée, transmise, transcrite ou stockée dans un système d'archivage, sous quelque forme ou par quelque moyen que ce soit, sans l'autorisation expresse écrite de :

DANSONS EUROPE

11 Rue Galvani Paris, France 75017

DANSONS AMÉRIQUE DU NORD

3411 North 5th Avenue, Suite 500, Phoenix, AZ, USA 85013

SERVICE CLIENTS

www.pitboss-grills.com

TABLE DES MATIÈRES

Informations concernant la sécurité	30
Pièces et spécifications	34
Préparation de l'assemblage.....	35
Instructions d'assemblage	
Montage des pieds sur le corps principal.....	35
Installation de l'étagère inférieure.....	36
Ajout des roues au chariot	36
Installation de la poignée du couvercle.....	36
Assemblage de l'étagère latérale	37
Montage de l'étagère latérale.....	37
Fixation de la cheminée.....	37
Fixation des supports de l'étagère avant.....	38
Installation de l'étagère avant.....	38
Mise en place de la plaque de diffusion	38
Installation des composants du diffuseur de chaleur.....	39
Installation des composants de cuisson	40
Montage du support de rack.....	40
Placement du seau à graisse	40
Remplacement du cordon d'alimentation.....	41
Connexion à une source d'alimentation	41
Instructions d'utilisation	
Environnement du gril	42
Gammes de température du gril	43
Comprendre le tableau de contrôle	44
Fonctions du panneau de contrôle.....	46
Connexion à l'application Smoke iT®	47
Procédure d'amorçage de la trémie.....	48
Première utilisation – Brûler le gril.....	48
Procédure de démarrage automatique.....	48
Éteindre votre gril	48
Entretien et maintenance	49
Conseils et techniques	51
Dépannage	52
Diagramme de fil électrique.....	54
Pièces de rechange	
Pièces de rechange de gril	55
Pièces de rechange de trémie.....	56
Garantie.....	57

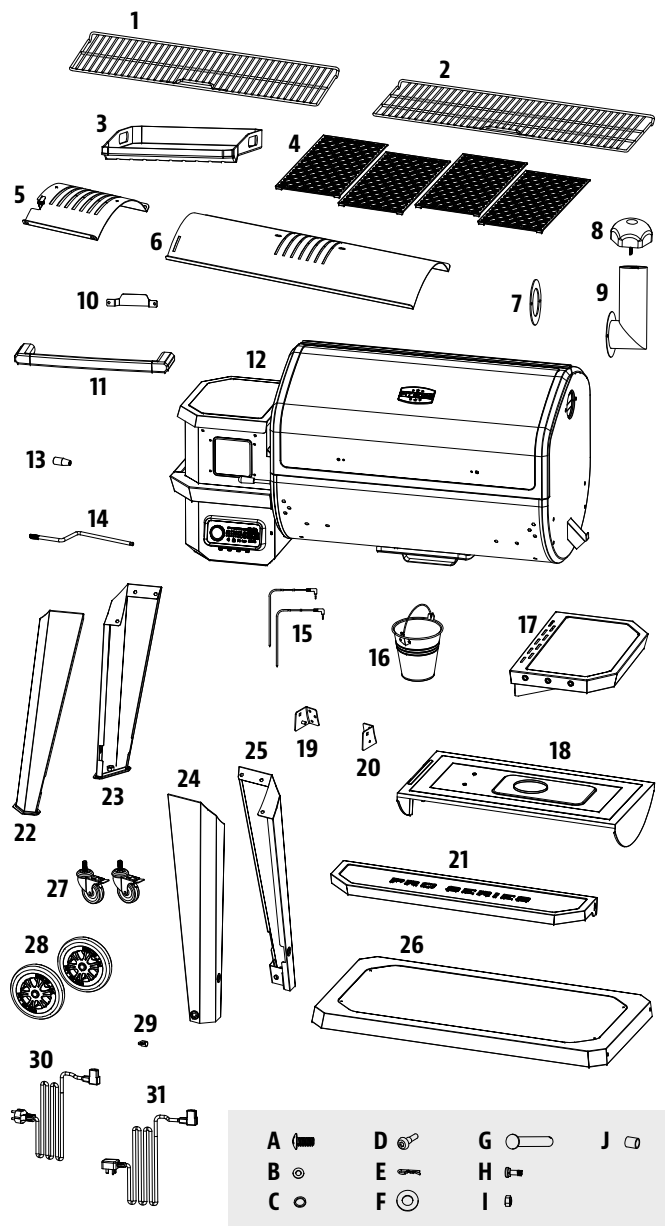
FR

FRANÇAIS

PIÈCES ET SPÉCIFICATIONS

FR
FRANÇAIS

N°	Description
1	Grille de cuisson supérieure (x1)
2	Grille de cuisson du milieu (x1)
3	Gril en fonte (x1)
4	Grilles de cuisson (x4)
5	Plaque coulissante du diffuseur de chaleur (x1)
6	Plaque principale du diffuseur de chaleur (x1)
7	Joint de cheminée (x1)
8	Chapeau de cheminée (x1)
9	Sortie de cheminée (x1)
10	Support de rack (x1)
11	Poignée pour couvercle (x1)
12	Assemblage gril principal/trémie (x1)
13	Poignée de la barre de réglage du grilloir à flamme (x1)
14	Barre de réglage du grilloir à flamme (x1)
15	Sonde de cuisson (x2)
16	Seau à graisse (x1)
17	Étagère latérale (x1)
18	Plaque de diffusion (x1)
19	Support pour étagère avant/gauche (x1)
20	Support pour étagère avant /droit (x1)
21	Étagère avant (x1)
22	Pied de support gauche - avant (x1)
23	Pied de support gauche - arrière (x1)
24	Pied de support droit - avant (x1)
25	Pied de support droit - arrière (x1)
26	Étagère inférieure (x1)
27	Roulettes pivotantes à frein (x2)
28	Roue (x2)
29	Clip du cordon d'alimentation (x1)
30	Cordon d'alimentation - fiche F (x1)
31	Cordon d'alimentation - fiche G (x1)
A	Vis (x28)
B	Rondelle (x24)
C	Rondelle de blocage (x22)
D	Crochets à ustensiles (x3)
E	Goupille bêta pour roue (x2)
F	Rondelle pour roue (x2)
G	Goupille cannelée pour roue (x2)
H	Vis (x2)
I	Écrous (x2)
J	Bague (x2)



REMARQUE : En raison du développement continu du produit, les pièces peuvent être modifiées sans préavis. Contactez le service clientèle si des pièces manquent lors de l'assemblage de l'appareil.

EXIGENCES ÉLECTRIQUES PB
220-240 V, 50 Hz, 275 W, FICHE AVEC MISE À LA TERRE

MODÈLE	ASSEMBLÉ (LxPxH)	POIDS	ZONE DE CUSSION	PLAGE DE TEMPÉRATURES
PB PB1600PS1	1 587,5 MM x 813,5 MM x 1 400 MM 62,50 PO x 32,03 PO x 55,12 PO	110,0 KG / 242,5 LB	GRILLE SUPÉRIEURE - 2 474,8 CM ² / 383,6 PO ² MILIEU - 3 249,6 CM ² / 503,7 PO ² PRINCIPALE - 4 587,1 CM ² / 711,0 PO ² TOTAL - 10 311,5 CM ² / 1 598,3 PO ²	82-260°C / 180-500°F

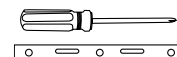
PRÉPARATION DE L'ASSEMBLAGE

Les pièces se trouvent partout dans le carton d'expédition, y compris sous le gril. Inspectez le gril, les pièces et le sachet de quincaillerie après les avoir retirés du carton d'expédition. Débarrassez-vous de tous les emballages intérieurs et extérieurs du gril avant de procéder à l'assemblage, puis passez en revue et inspectez toutes les pièces en vous référant à la liste. Si une pièce manque ou est endommagée, ne procédez pas à l'assemblage. Les dégâts liés à l'envoi ne sont pas couverts par la garantie. Contactez votre revendeur ou le service clients de Pit Boss® concernant ces pièces.

www.pitboss-grills.com

IMPORTANT : pour faciliter l'installation et éviter des blessures, il est recommandé de mettre deux personnes à contribution lors de l'assemblage de l'appareil.

Outils nécessaires pour l'assemblage : un tournevis et un niveau. *Ces outils ne sont pas fournis.*



INSTRUCTIONS D'ASSEMBLAGE

IMPORTANT : nous vous conseillons de lire entièrement chaque étape avant de procéder à l'assemblage conformément aux instructions. Ne serrez pas totalement les vis avant que toutes les vis de cette étape soient installées. L'assemblage de pièces impliquant une rondelle de blocage et une rondelle doit être effectué en plaçant la rondelle de blocage le plus près possible de la tête de la vis.

1. MONTAGE DES PIEDS SUR LE CORPS PRINCIPAL

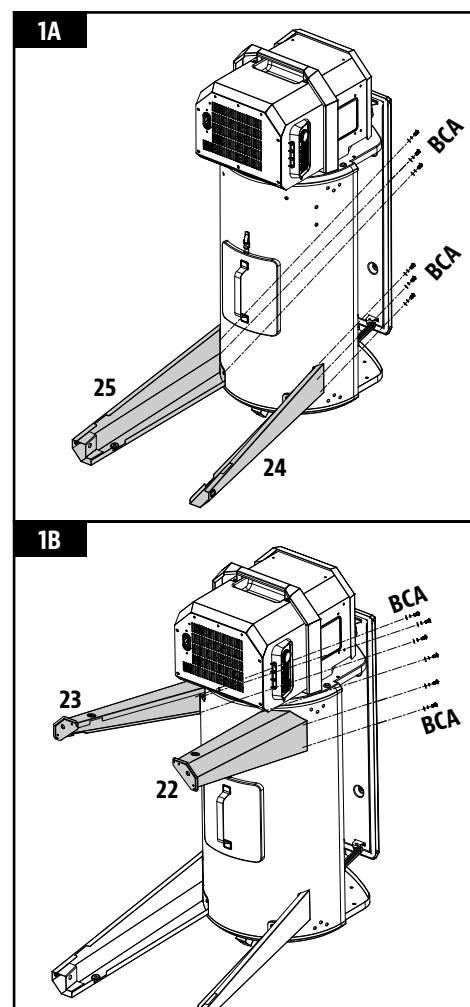
Pièces nécessaires :

- 1 x Assemblage gril principal/trémie (#12)
- 1 x Pied de support gauche - avant (#22)
- 1 x Pied de support gauche - arrière (#23)
- 1 x Pied de support droit - avant (#24)
- 1 x Pied de support droit - arrière (#25)
- 12 x Vis (#A)
- 12 x Rondelle (#B)
- 12 x Rondelle de blocage (#C)

Installation :

- Placez un bout de carton sur le sol afin d'éviter d'érafler l'appareil et les pièces durant l'assemblage. Posez le corps principal sur le côté, sur le carton, l'extrémité de la trémie dirigée vers le haut.
- Montez le pied de support avant droit sur l'extrémité du corps principal placée sur le sol à l'aide de trois vis, rondelles de blocage et rondelles, à travers les trois trous prépercés. Installez les vis via l'intérieur du corps principal. Répétez la procédure pour le pied de support arrière droit. Consultez l'illustration 1A.
- Montez ensuite le pied de support avant gauche sur l'extrémité du corps principal du côté de la trémie à l'aide de trois vis, rondelles de blocage et rondelles, à travers les trois trous prépercés. Installez les vis via l'intérieur du corps principal. Répétez la procédure pour le pied de support arrière gauche. Consultez l'illustration 1B.

IMPORTANT : Ne serrez pas totalement les vis avant que l'étagère inférieure ne soit installée lors de l'étape suivante.



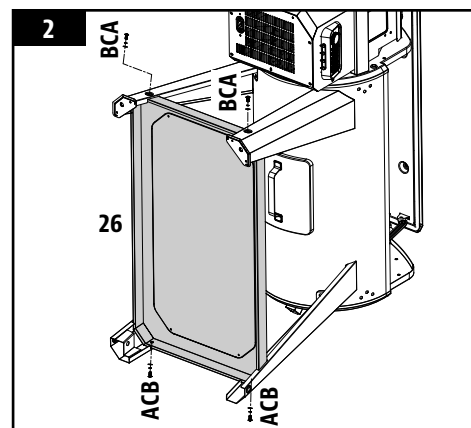
2. INSTALLATION DE L'ÉTAGÈRE INFÉRIEURE

Pièces nécessaires :

- 1 x Étagère inférieure (#26)
- 4 x Vis (#A)
- 4 x Rondelle (#B)
- 4 x Rondelle de blocage (#C)

Installation :

- Fixez l'étagère inférieure sur chaque pied de support avec une vis, une rondelle de blocage et une rondelle. Assurez-vous que la surface plane de l'étagère est orientée vers le haut, en direction du corps du gril.



3. AJOUT DES ROUES AU CHARIOT

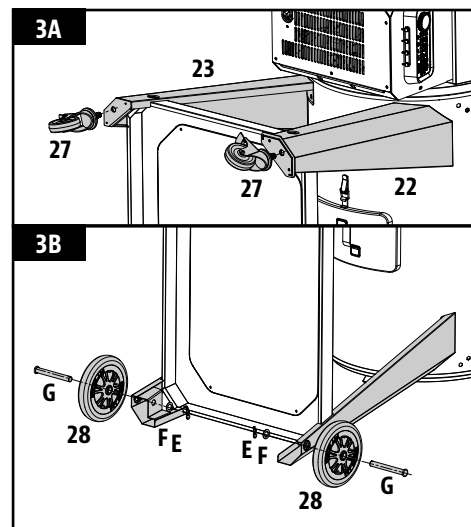
Pièces nécessaires :

- 2 x Roulettes pivotantes à frein (#27)
- 2 x Roue (#28)
- 2 x Goupille bêta pour roue (#E)
- 2 x Rondelle pour roue (#F)
- 2 x Goupille cannelée pour roue (#G)

Installation :

- Insérez chaque roulette à frein au bas de chaque pied de support gauche, en les serrant manuellement dans le trou. Assurez-vous que chaque roulette à frein est complètement insérée. Consultez l'illustration 3A.
- Fixez chaque roulette à chaque pied de support droit en insérant la goupille cannelée dans la roue, dans le trou du pied de support et dans la rondelle de la roue, puis fixez le tout avec une goupille bêta. Consultez l'illustration 3B.
- Une fois l'étagère attachée, placez précautionneusement le gril en position verticale.

IMPORTANT : resserrez les vis des pieds de support pour vous assurer qu'elles sont complètement fixées après avoir positionné le gril à la verticale.



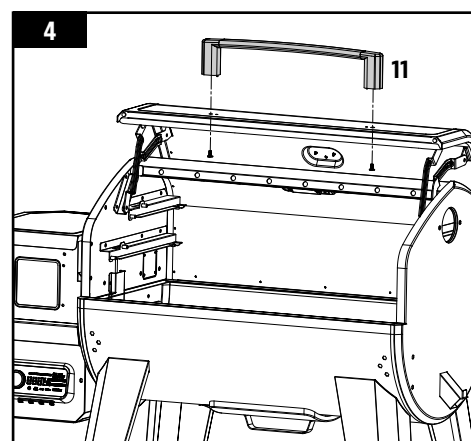
4. INSTALLATION DE LA POIGNÉE DU COUVERCLE

Pièces nécessaires :

- 1 x Poignée pour couvercle (#11)

Installation :

- Retirez les vis préinstallées de la poignée du couvercle. De l'intérieur du couvercle du corps, insérez une vis afin qu'elle dépasse de l'autre côté. Ajoutez une bague à la vis. Ajoutez une bague sur la vis, puis serrez-la à la main (de l'intérieur) dans la poignée du couvercle. Répétez l'opération pour l'autre côté.



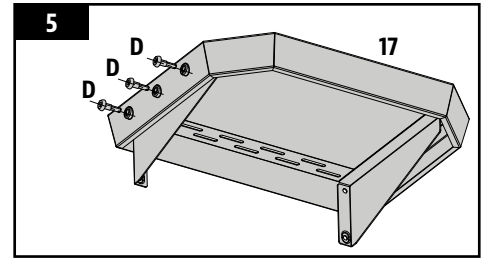
5. ASSEMBLAGE DE L'ÉTAGÈRE LATÉRALE

Pièces nécessaires :

- 1 x Étagère latérale (#17)
- 3 x Crochets à ustensiles (#D)

Installation :

- Retournez l'étagère latérale. Sur le bord de l'étagère latérale possédant trois trous, installez les trois crochets à ustensiles. Les crochets à ustensiles seront fixés à l'écrou prémonté à l'intérieur.



6. MONTAGE DE L'ÉTAGÈRE LATÉRALE

Pièces nécessaires :

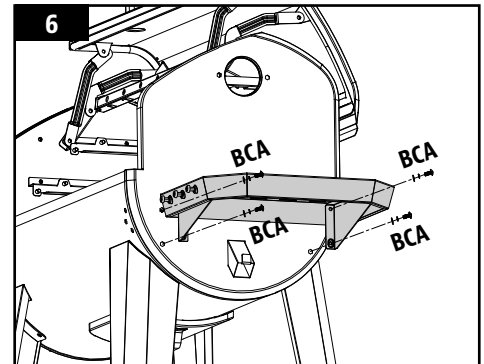
- 4 x Vis (#A)
- 4 x Rondelle de blocage (#C)
- 4 x Rondelle (#B)

Installation :

- En passant par le dessous, fixez l'étagère latérale au panneau latéral du corps principal à l'aide de quatre vis, rondelles de blocage et rondelles.

REMARQUE : ne serrez pas totalement les vis avant qu'elles soient toutes installées. Une fois toutes les vis installées, fixez les précautionneusement.

IMPORTANT : évitez d'utiliser les étagères pour déplacer ou soulever le grill. Le poids de l'appareil provoquerait la rupture des étagères, ce qui n'est pas couvert par la garantie.



7. FIXATION DE LA CHEMINÉE

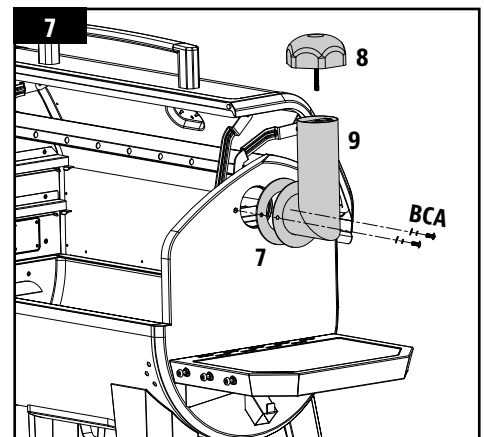
Pièces nécessaires :

- 1 x Joint de cheminée (#7)
- 1 x Chapeau de cheminée (#8)
- 1 x Sortie de cheminée (#9)
- 2 x Vis (#A)
- 2 x Rondelle de blocage (#C)
- 2 x Rondelle (#B)

Installation :

- Localisez l'ouverture de la cheminée sur le panneau latéral du corps principal. De l'extérieur, fixez la sortie de cheminée et le joint de la cheminée sur le panneau latéral à l'aide de deux vis, de rondelles de blocage et de rondelles. Les vis fixeront les écrous prémontés à l'intérieur du corps de l'appareil.
- Ensuite, fixez le chapeau de cheminée en tournant la vis du chapeau de cheminée dans la sortie de cheminée.

REMARQUE : réglez le chapeau de cheminée pour diriger le flux d'air à l'intérieur du grill principal. Si vous cuisinez à basse température, gardez le chapeau plus ouvert. Assurez-vous que le chapeau de cheminée permet à l'air de s'échapper.



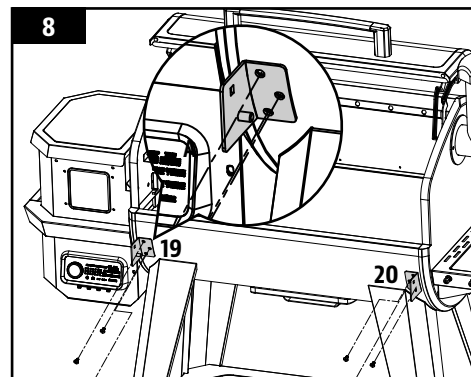
8. FIXATION DES SUPPORTS DE L'ÉTAGÈRE AVANT

Pièces nécessaires :

- 1 x Support pour étagère avant/gauche (#19)
- 1 x Support pour étagère avant /droit (#20)
- 6 x Vis (#A)

Installation :

- Fixez un support pour étagère avant à l'avant du corps de grill à l'aide de trois vis. Insérez chaque vis à moitié, puis serrez-les complètement lorsque les trois vis sont montées et alignées correctement.
- Répétez la même procédure pour l'autre support pour étagère avant.



9. INSTALLATION DE L'ÉTAGÈRE AVANT

Pièces nécessaires :

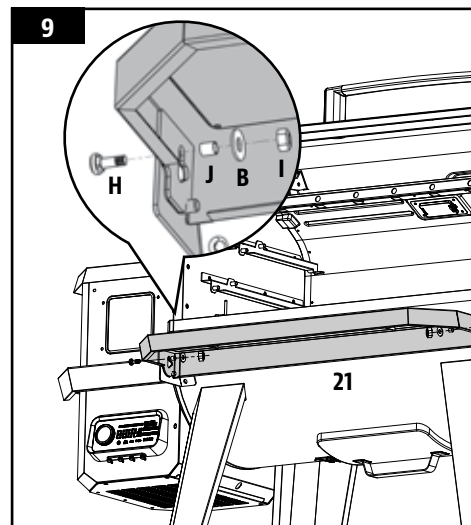
- 1 x Étagère avant (#21)
- 2 x Rondelle (#B)
- 2 x Vis (#H)
- 2 x Écrous (#I)
- 2 x Bague (#J)

Installation :

- En passant par le dessous, insérez la vis (par l'extérieur) dans le support pour étagère avant et l'étagère avant, puis ajoutez la bague dans la vis, la rondelle et l'écrou. Répétez la procédure pour l'autre côté de l'étagère avant.

REMARQUE : lorsqu'elle est installée correctement, l'étagère avant peut être relevée (pour utilisation) et abaissée (pour le stockage) en toute simplicité.

IMPORTANT : évitez d'utiliser les étagères pour déplacer ou soulever le grill. Le poids de l'appareil provoquerait la rupture des étagères, ce qui n'est pas couvert par la garantie.



10. MISE EN PLACE DE LA PLAQUE DE DIFFUSION

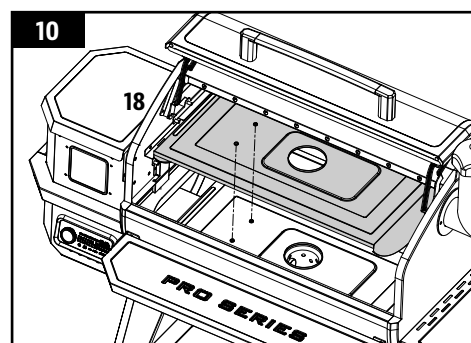
Pièces nécessaires :

- 1 x Plaque de diffusion (#18)

Installation :

- Placez la plaque de diffusion dans le corps principal afin que l'ouverture centrale soit directement alignée avec le pot de combustion circulaire à la base du corps principal.

REMARQUE : la plaque de diffusion n'a pas besoin d'être fixée.



11. INSTALLATION DES COMPOSANTS DU DIFFUSEUR DE CHALEUR

Pièces nécessaires :

- 1 x Plaque coulissante du diffuseur de chaleur (#5)
- 1 x Plaque principale du diffuseur de chaleur (#6)
- 1 x Poignée de la barre de réglage du grilloir à flamme (#13)
- 1 x Barre de réglage du grilloir à flamme (#14)

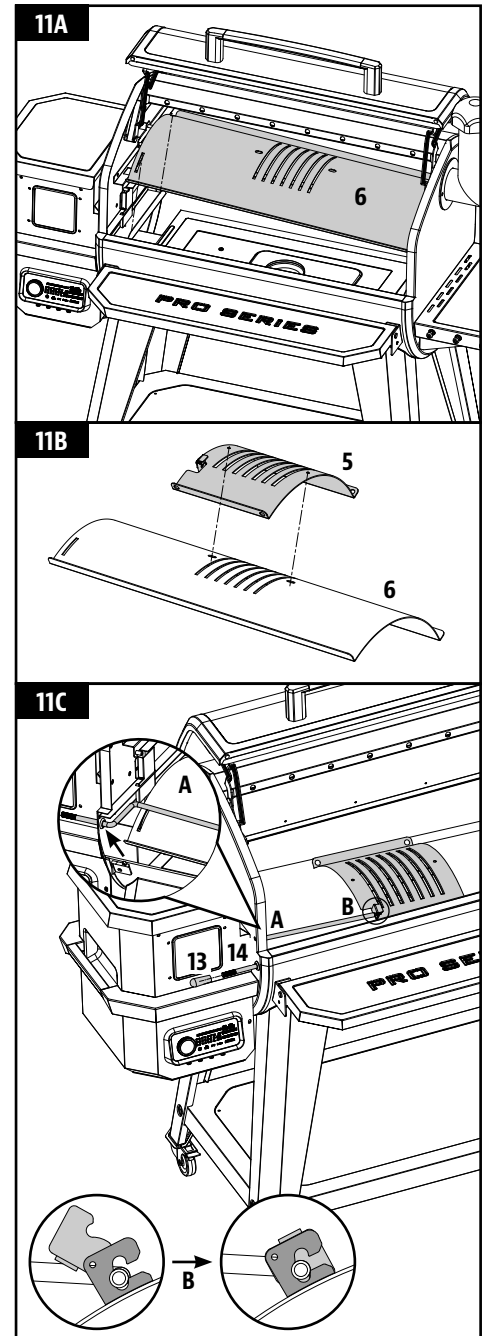
Installation :

- Insérez la plaque principale du diffuseur de chaleur dans le gril principal en commençant par le côté droit. Posez la plaque principale du diffuseur de chaleur sur le rebord intégré (à l'intérieur, à droite) du gril principal dirigeant la graisse vers le seau. Faites coulisser toute la pièce vers le côté gauche, ainsi, les deux fentes de la plaque principale du diffuseur de chaleur s'ajusteront dans le rebord arrondi situé au-dessus du pot de combustion. Il adoptera un angle légèrement incliné vers le bas. Consultez l'illustration 11A.

IMPORTANT : si la plaque principale du diffuseur de chaleur se trouve sur la base du corps, son installation est incorrecte. Le diffuseur de chaleur doit être en biais, avec le côté gauche plus élevé que le côté droit. Une mauvaise installation de cette pièce peut endommager le baril de votre gril principal.

- Placez la plaque coulissante du diffuseur de chaleur au-dessus de la plaque principale, recouvrant les fentes. Veillez à ce que la languette relevée se trouve sur la gauche afin de facilement ajuster l'utilisation d'une flamme directe ou indirecte lors de la cuisson. Consultez l'illustration 11B. Les deux plaques du diffuseur de chaleur sont légèrement recouvertes d'huile pour éviter l'apparition de rouille lors de l'envoi.
- Puis, retirez la poignée de la barre de réglage du diffuseur de chaleur. Insérez la barre de réglage du diffuseur de chaleur dans le trou situé sur le côté gauche du corps principal. Ajoutez la poignée de la barre de réglage du diffuseur de chaleur sur l'extrémité à l'extérieur du corps de l'appareil. Glissez ensuite l'extrémité crantée de la barre de réglage dans la languette de verrouillage de la plaque coulissante du diffuseur de chaleur, ce qui vous donne un accès facile à la plaque coulissante du diffuseur de chaleur de la plaque principale. Consultez les étapes de l'illustration 11C.

REMARQUE : lorsque la plaque coulissante du diffuseur de chaleur est ouverte, une flamme directe est utilisée, ne laissez jamais le gril sans surveillance.



12. INSTALLATION DES COMPOSANTS DE CUISSON

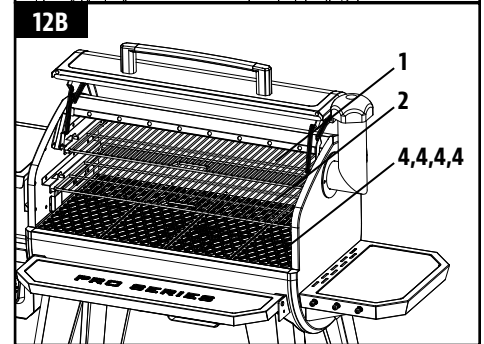
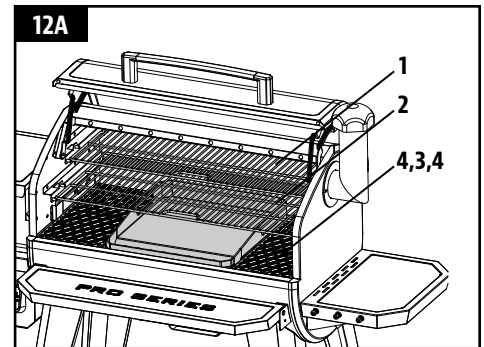
Pièces nécessaires :

- 1 x Grille de cuisson supérieure (#1)
- 1 x Grille de cuisson du milieu (#2)
- 1 x Gril en fonte (#3)
- 4 x Grilles de cuisson (#4)

Installation :

- Choisissez une surface de cuisson principale désirée: deux grilles de cuisson avec plaque chauffante (illustrées en 12A) ou quatre grilles de cuisson (illustrées en 12B). Placez la combinaison de surface de cuisson choisie sur les rebords inférieurs de la grille à l'intérieur du gril principal.
- Ensuite, placez la grille de cuisson centrale sur les rebords du milieu à l'intérieur du gril principal. Placez la grille de cuisson supérieure sur les rebords supérieurs à l'intérieur du gril principal.

REMARQUE: Pour maintenir les performances de saisie et de cuisson de vos grilles de cuisson et grilles de cuisson, des soins et un entretien réguliers sont nécessaires.



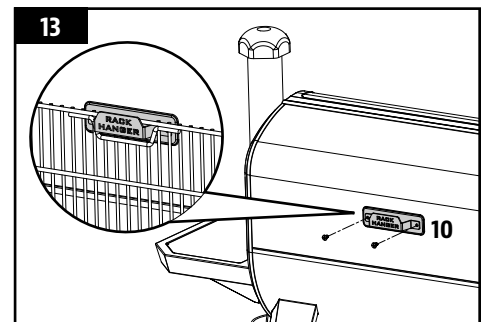
13. MONTAGE DU SUPPORT DE RACK

Pièces nécessaires :

- 1 x Support de rack (#10)

Installation :

- Fixez le support de rack au panneau arrière du barillet principal à l'aide des deux vis de pré-assemblage. Les grilles de cuisson peuvent être suspendues au support de grille lorsqu'elles ne sont pas utilisées.



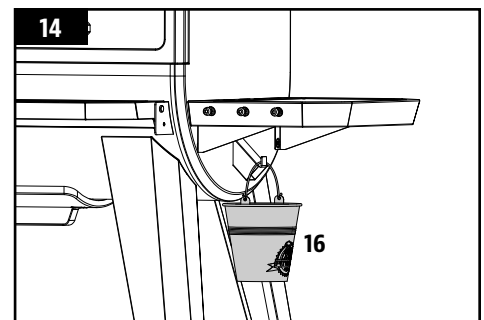
14. PLACEMENT DU SEAU À GRAISSE

Pièces nécessaires :

- 1 x Seau à graisse (#16)

Installation :

- Coloque el recoge-grasa en el caño del extremo del tambor principal. Asegúrese de que esté nivelado para evitar el derramamiento de grasa.
- La unidad está montada por completo.



15. INSTALLATION DU CORDON D'ALIMENTATION

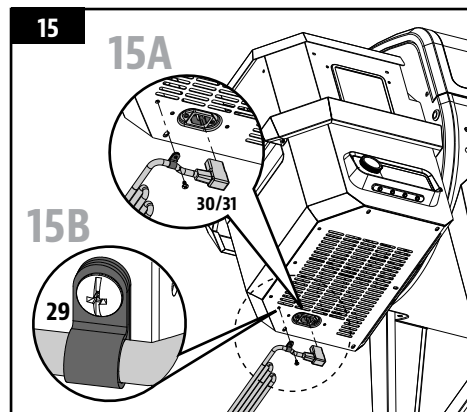
REMARQUE: Deux cordons d'alimentation sont fournis. Sélectionnez le cordon d'alimentation requis pour votre région.

Pièces nécessaires :

- 1 x Clip du cordon d'alimentation (#29)
- 1 x Cordon d'alimentation (#30 ou #31)

Installation :

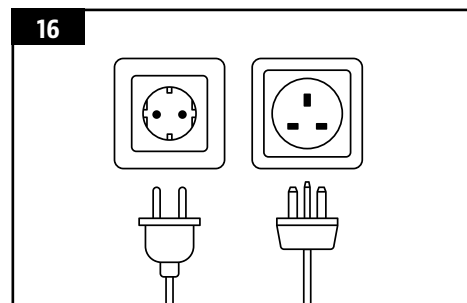
- Placez le clip du cordon d'alimentation sur le cordon d'alimentation. Ensuite, insérez le cordon d'alimentation dans la rainure au bas de l'unité. Remarque 15A.
- Fixez le Power Clip au panneau arrière à l'aide de la vis préinstallée sous l'évent. Remarque 15B.



16. CONNEXION À UNE SOURCE D'ALIMENTATION

- **PRISE STANDARD**
Cet appareil fonctionne à 220-240 V, 50 Hz, 275 W. Il doit s'agir d'une prise de terre. Veillez à ce que la broche reliée à la terre ne soit pas cassée avant utilisation. Le panneau de contrôle utilise un fusible rapide et 220-240 V afin de protéger le panneau de l'allumeur.

IMPORTANT : déconnectez l'appareil de la source l'alimentation lorsque vous ne l'utilisez pas.



MODE D'EMPLOI

Avec le style de vie actuel pour s'efforcer de manger des aliments sains et nutritifs, un facteur à considérer est l'importance de réduire la consommation de graisse. L'une des meilleures façons de réduire les graisses dans votre régime alimentaire est d'utiliser une méthode de cuisson faible en matières grasses, tel que le gril. Comme une grille à granulés utilise des granulés de bois naturels, la saveur de bois savoureux est cuite dans les viandes, ce qui réduit le besoin de sauces à haute teneur en sucre. Tout au long de ce manuel, vous remarquerez l'accent mis sur le grillage des aliments lentement aux réglages de température FAIBLE ou MOYENNE.

ENVIRONNEMENT DU GRIL

1. OÙ INSTALLER LE GRILL

Avec tous les appareils extérieurs, les conditions météorologiques extérieures jouent un rôle important dans la performance de votre gril et le temps de cuisson nécessaire pour parfaire vos repas.

Toutes les unités Pit Boss® devraient garder un dégagement minimum de 914 mm (36 pouces) des constructions combustibles, et cette distance doit être maintenue pendant la cuisson. Cet appareil ne doit pas être placé sous un plafond ou un surplomb combustible. Gardez votre gril dans une zone dégagée et exempte de matières combustibles, d'essence et d'autres vapeurs et liquides inflammables.

2. CUISINER PAR TEMPS FROIDS

Lorsqu'il commence à faire plus frais à l'extérieur, cela ne signifie pas que la saison des grillades est terminée! L'air frais et l'arôme divin des aliments fumés aideront à guérir votre blues d'hiver.

Suivez ces suggestions sur la façon de profiter de votre gril pendant les mois les plus frais:

- Si le fumage à basse température échoue, augmentez légèrement la température pour obtenir les mêmes résultats.
- Organisez – Préparez tout ce dont vous avez besoin dans la cuisine avant de vous diriger à l'extérieur. Pendant l'hiver, déplacez votre gril dans un endroit protégé du vent et du froid. Vérifiez les règlements locaux concernant la proximité de votre gril par rapport à votre maison et/ou autres constructions. Mettez tout ce dont vous avez besoin sur un plateau, emballez et lancez-vous!
- Pour suivre la température extérieure, placez un thermomètre extérieur près de votre zone de cuisson. Gardez un journal ou un historique de ce que vous avez préparé, de la température extérieure et du temps de cuisson. Cela sera utile plus tard pour vous aider à déterminer ce qu'il faut cuisiner et combien de temps cela prendra.
- Par temps très froid, augmentez votre temps de préchauffage d'au moins 20 minutes.
- Évitez de soulever le couvercle du gril plus que nécessaire. Les rafales de vents froids peuvent refroidir complètement la température de votre gril. Soyez souple quant au moment de servir; ajoutez environ 10 à 15 minutes de plus à la cuisson à chaque fois que vous ouvrez le couvercle.
- Ayez un plateau chauffé ou un couvercle de plat prêt à garder votre nourriture au chaud tout en faisant le voyage à l'intérieur.
- Les aliments idéaux pour la cuisine d'hiver sont ceux qui nécessitent peu d'attention, comme les rôtis, les poulets entiers, les côtes et la dinde. Rendez votre préparation de repas encore plus facile en ajoutant des éléments simples comme les légumes et les pommes de terre.

3. CUISINER PAR TEMPS CHAUDS

À mesure qu'il fait plus chaud à l'extérieur, le temps de cuisson diminue.

Suivez ces suggestions sur la façon de profiter de votre gril pendant les mois chauds:

- Ajustez à la baisse vos températures de cuisson. Cela permet d'éviter les poussées indésirables.
- Utilisez un thermomètre à viande pour déterminer la température interne de vos aliments. Ceci permet d'éviter que votre viande ne soit trop cuite ou se dessèche.
- Même par temps chaud, c'est mieux de cuisiner en gardant le couvercle de votre gril baissé.
- Vous pouvez garder vos aliments chauds au chaud en les enveloppant dans du papier aluminium et en les plaçant dans une glacière isolée. Placez du papier journal froissé autour du papier aluminium et cela tiendra la nourriture chaude pendant 3 à 4 heures.

PLAGES DE TEMPÉRATURES DU GRIL

Les lectures de température sur le panneau de contrôle peuvent ne pas correspondre exactement au thermomètre. Toutes les températures indiquées ci-dessous sont approximatives et sont affectées par les facteurs suivants: la température ambiante extérieure, la quantité et la direction du vent, la qualité du combustible à granulés utilisé, le couvercle ouvert et la quantité de nourriture en cours de cuisson.

- **TEMPÉRATURES ÉLEVÉES (205-260°C / 401-500°F)**

Cette gamme est de préférence utilisée pour sécher et griller à haute température. Utiliser en tandem avec la chaudière (plateau latéral) pour une cuisson indirecte ou directe de la flamme. Lorsque **la chaudière est ouverte**, la flamme directe est utilisée pour créer ces steaks « blue » ainsi que des légumes à la flamme, des toasts à l'ail ou même des s'mores! Lorsque **la chaudière est fermée**, l'air circule autour du baril ce qui conduit à une chaleur de convection. La température élevée est également utilisée pour préchauffer votre gril, brûler les grilles de cuisson et obtenir un feu vif par froid extrême..

- **TEMPÉRATURE MOYENNE (135-180°C / 275-356°F)**

Cette gamme est idéale pour cuire au four, rôtir et terminer votre création à fumaison lente. La cuisson à ces températures réduira considérablement les risques de poussée de graisse. Assurez-vous que la glissière de chaudière est en position fermée, couvrant les ouvertures à fente. Excellente gamme pour cuisiner n'importe quoi enveloppé dans du bacon, ou où vous voulez une polyvalence avec contrôle.

- **BASSE TEMPÉRATURE (82-125°C / 180-257°F)**

Cette gamme permet rôtir lentement, d'augmenter la saveur fumée et de garder les aliments au chaud. Infusez plus de saveur fumée et gardez vos viandes juteuses en cuisinant plus longtemps à une température plus basse (également connu sous le nom de **faible et lent**). Il est recommandé pour la grande dinde pour Thanksgiving, jambon juteux à Pâques, ou l'immense fête de Noël.

Le fumage est une variation de vrai barbecue et est vraiment le premier avantage de la cuisson sur un gril à pastilles de bois. **Le fumage à chaud**, un autre nom pour la cuisson **faible et lente**, se fait généralement à 82-125°C / 180-257°F. Le fumage à chaud fonctionne mieux lorsqu'un temps de cuisson plus long est nécessaire, comme pour les grandes coupes de viande, de poisson ou de volaille.

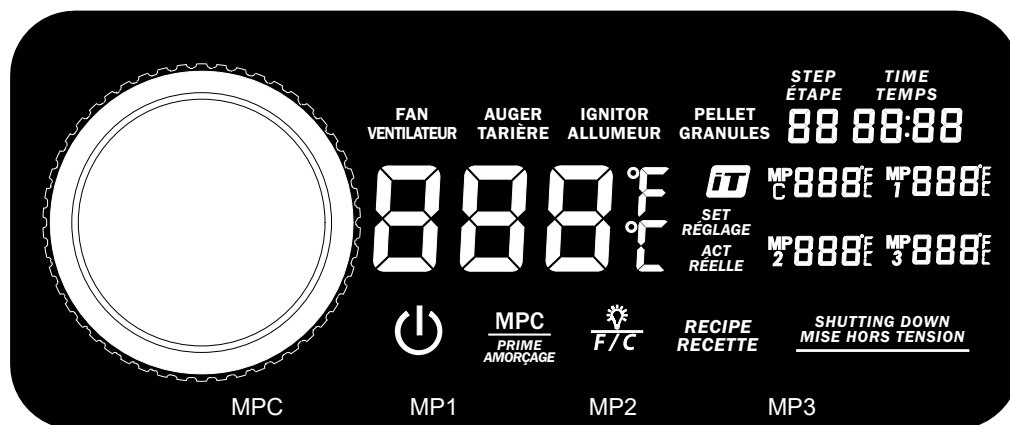
CONSEIL: Pour intensifier cette saveur salée, passez à la température de fumée (basse) immédiatement après avoir mis vos aliments sur le gril. Cela permet à la fumée de pénétrer dans les viandes.

La clé consiste à expérimenter le temps que vous autorisez à fumer, avant que le repas ne soit cuit. Certains chefs de plein air préfèrent fumer à la fin d'une cuisson, ce qui permet à la nourriture de rester au chaud jusqu'à ce qu'elle soit prête à être servie. La pratique rend parfait!

PRÉSENTATION DU PANNEAU DE CONTRÔLE

Cette panneau de contrôle numérique P.I.D. (proportionnel-intégral-dérivé) est très semblable aux commandes de votre four de cuisine. Les principaux avantages sont la possibilité de compenser automatiquement les différentes conditions ambiantes et les différents types de combustibles.

IMPORTANT : La température à l'intérieur de tout gril varie considérablement d'un endroit à l'autre. Même des instruments calibrés ensemble peuvent ne pas être en accord les uns avec les autres.



CONTRÔLE	DESCRIPTION
	Appuyez une fois sur ce bouton pour mettre l'appareil en marche. Cela permettra de lancer le cycle de démarrage automatique. Maintenez ce bouton appuyé pendant trois secondes pour mettre l'appareil hors tension, ce qui activera le cycle de refroidissement automatique. Le bouton clignote en blanc lorsqu'il est connecté à une source d'alimentation, et reste fixe lorsque l'appareil est en marche.
	L'icône Smoke iT® indique une connexion à un réseau sans fil. Lorsque l'appareil recherche une connexion via Wi-Fi ou Bluetooth®, l'icône Smoke iT® clignote. Une fois la connexion Wi-Fi établie, l'icône Smoke iT® ne clignote plus. Lorsque vous êtes connecté, vous pouvez obtenir des informations en direct sur la température actuelle du gril et celle programmée, sur le temps de cuisson, ainsi que sur la température des sondes de cuisson. Vous pouvez également régler les paramètres de votre panneau de contrôle.
	Ce bouton a deux fonctions: interrupteur d'unités de température et éclairage. <ol style="list-style-type: none"> Appuyez rapidement sur ce bouton pour allumer et éteindre la lumière à l'intérieur du baril du gril. Appuyez sur ce bouton et maintenez-le enfoncé pendant trois secondes pour activer l'interrupteur d'unités de température, modifiant ainsi la lecture de la température. Changez entre Celsius (°C) et Fahrenheit (°F), selon vos préférences. La valeur par défaut est Celsius.
	Ce bouton possède deux fonctions : contrôle de la sonde de cuisson (MPC) et Prime. <ol style="list-style-type: none"> Appuyer rapidement sur ce bouton active la sonde de cuisson programmable, il s'agit du premier port de connexion de sonde de cuisson (MPC). Utilisez le bouton de commande pour configurer la température de la sonde de cuisson programmable. Appuyez de nouveau sur le bouton de commande pour confirmer votre choix et quitter les paramètres de la sonde de cuisson programmable. Maintenez ce bouton appuyé durant trois secondes pour acheminer manuellement en continu plus de granulés vers le pot de combustion. Le relâchement du bouton interrompt l'alimentation manuelle des granulés. Ce processus peut permettre d'ajouter plus de combustible au feu avant d'ouvrir le couvercle du corps de l'appareil, entraînant une récupération de chaleur rapide. Il peut également s'utiliser en cours de fumage afin d'augmenter l'intensité du parfum fumé. Cette fonctionnalité a été demandée par les cuisiniers participant à des concours.



Le bouton de commande est utilisé pour augmenter, diminuer et sélectionner une valeur de réglage. Tournez le bouton de commande pour sélectionner l'heure, la température ou l'étape dans un menu de paramètres actifs. Appuyez sur le bouton de commande pour confirmer la valeur choisie.

888°F
SET
REGLAGE
ACT.
REELLE

Le relevé central affiche à la fois la température actuelle et celle programmée. La température actuelle s'affiche en permanence, sauf si la température programmée est en train d'être modifiée. La température actuelle représente la température à l'intérieur du corps principal. Le relevé de la température actuelle est effectué par la sonde du gril (capteur) située à l'intérieur du corps de l'appareil.

Afin d'afficher la température programmée, appuyez sur le bouton de commande. La température programmée est active lorsque le relevé clignote. Afin de régler la température programmée, tournez le bouton de commande, au besoin. Une fois la température programmée souhaitée affichée, appuyez sur le bouton de commande afin de la confirmer, le relevé affichera alors de nouveau la température actuelle.

RECIPES
RECETTE

Appuyez une fois sur le bouton pour activer les étapes de recette. Il existe neuf étapes de recette disponibles. Ajustez les paramètres de chaque étape de recette en utilisant le bouton de commande.

STEP
ÉTAPE
88

Affiche l'actuelle étape de recette.

TIME
TEMPS
88:88

Affiche la durée paramétrée lors de l'étape de recette. Appuyez sur le bouton Recette (Recipe) pour activer les paramètres de recette. Utilisez le bouton de commande pour passer d'une étape à l'autre, l'une d'entre elles est la durée.

MP 888°F
C

Affiche l'actuelle température et celle configurée pour la sonde de cuisson programmable, il s'agit du premier port de branchement de sonde de cuisson (MPC). La température actuelle s'affiche en permanence, sauf si la température programmée est en train d'être modifiée. Lorsque vous appuyez sur le bouton MPC, le relevé de la sonde de cuisson sélectionnée clignote et vous pouvez ajuster la température programmée. Lorsque vous ne l'utilisez pas, débranchez la sonde de cuisson du port de connexion et le code « noP » s'affichera. Uniquement compatible avec les sondes de cuisson de la marque Pit Boss® Grills.

MP 888°F
MP 2 888°F
MP 3 888°F

Affiche la température actuelle de la sonde de cuisson. Ce relevé de la sonde de cuisson correspond au port de connexion (MP). Lorsque vous ne l'utilisez pas, débranchez la sonde de cuisson du port de connexion et le code « noP » s'affichera. Uniquement compatible avec les sondes de cuisson de la marque Pit Boss® Grills.

SHUTTING DOWN
MISE HORS TENSION

Ce relevé s'affiche après sélection de la mise hors tension. Il indique que le cycle de refroidissement automatique a débuté. Une fois le cycle de refroidissement terminé, le relevé ne sera plus visible.

FAN
VENTILATEUR

L'icône de VENTILATEUR est visible lorsque le ventilateur est en marche. Lorsque l'icône de VENTILATEUR clignote, le ventilateur ne fonctionne pas. Consultez la section Dépannage pour obtenir de l'aide.

AUGER
TARIÈRE

L'icône de TARIÈRE est visible lorsque la vis sans fin tourne. Lorsque l'icône de TARIÈRE clignote, la vis sans fin ne fonctionne pas. Consultez la section Dépannage pour obtenir de l'aide.

IGNITOR
ALLUMEUR

L'icône d'ALLUMEUR est visible lorsque l'allumeur est en marche. Lorsque l'icône d'ALLUMEUR clignote, l'allumeur ne fonctionne pas. Consultez la section Dépannage pour obtenir de l'aide.

PELLET
GRANULES

Lorsque l'icône de GRANULES est visible, le feu dans le pot de combustion est éteint ou bien la trémie est vide. Consultez la section Dépannage pour obtenir de l'aide.

FONCTIONS DU PANNEAU DE CONTRÔLE

• RÉGLAGE D'UNE TEMPÉRATURE DE CUISSON

La sonde du grill mesure la température interne du baril principal. Lorsque la température de cuisson est ajustée, la sonde du grill lit la température réelle à l'intérieur du baril principal et l'ajuste à la température de cuisson souhaitée.

IMPORTANT : la température de votre appareil est extrêmement dépendante de la température extérieure ambiante, de la qualité des granulés utilisés, du parfum des granulés et de la quantité d'aliments en train de cuire.

RÉGLER/AJUSTER LA TEMPÉRATURE PROGRAMMÉE

Pour ajuster la température programmée du grill, suivez les étapes ci-dessous :

1. Appuyez sur le bouton de commande. La température programmée clignotera alors pour indiquer qu'elle est active.
2. Utilisez de nouveau le bouton de commande pour ajuster la température souhaitée.
3. Une fois la température programmée souhaitée affichée, appuyez sur le bouton de commande afin de la confirmer, le relevé affichera alors de nouveau la température actuelle.

• UTILISATION DE LA SONDE DE CUISSON PROGRAMMABLE

La sonde de cuisson mesure la température interne de la viande sur le grill, tout comme dans votre four. Insérez la sonde de cuisson en acier inoxydable dans la partie la plus épaisse de la viande. La température interne s'affiche sur le relevé du panneau de contrôle. Branchez l'adaptateur de la sonde de cuisson au port de connexion de la sonde de cuisson en veillant à ce qu'il soit bien inséré jusqu'au fond. Un bruit vous indiquera qu'il est bien en place. En plus de cuire la viande à la température souhaitée, le processus passera également automatiquement le grill sur une température basse (82 °C) pour que la nourriture soit toujours chaude au moment d'être servie. Configurez l'appareil et détendez-vous pendant que la sonde de cuisson travaille à votre place !

REMARQUE : lorsque vous placez la sonde de cuisson dans votre viande, veillez à ce que celle-ci et les câbles ne soient pas en contact direct avec la flamme ou une source de chaleur excessive. Cela pourrait endommager votre sonde de cuisson. Faites passer l'excès de câble via le trou situé du côté gauche du grill principal (près du gond du couvercle). Lorsque vous ne l'utilisez pas, débranchez la sonde de cuisson du port de raccordement et mettez-la de côté en veillant à ce qu'elle reste propre et en sécurité.

CONFIGURATION/AJUSTEMENT DE LA SONDE DE CUISSON PROGRAMMABLE

Pour configurer la température souhaitée de la sonde de cuisson programmable, suivez les étapes ci-dessous :

1. Appuyez rapidement sur le bouton MPC pour activer la sonde de cuisson programmable. Lorsqu'une sonde est active, le relevé de température de la sonde de cuisson clignote.
2. Utilisez le bouton de commande pour ajuster la température souhaitée.
3. Une fois la température souhaitée de la sonde de cuisson sélectionnée affichée, appuyez de nouveau sur le bouton de commande afin de la confirmer et de quitter les paramètres de la sonde de cuisson programmable.

• PROGRAMMER UNE RECETTE

La fonction Recette permet à l'utilisateur de programmer des instructions de cuisson, nommées étapes de la recette, que le panneau de contrôle suivra et lancera automatiquement. Ces instructions combinent la température et le temps de cuisson. En débutant par la première étape de la recette (01), le panneau de contrôle effectuera chaque étape afin de préparer le plat. Lorsque toutes les étapes de la recette sont terminées, le panneau de contrôle passe automatiquement à une température basse de 82 °C afin que le plat reste chaud jusqu'au moment de le servir. Au total, neuf étapes de recette peuvent être programmées.

COMMENT PROGRAMMER UNE ÉTAPE DE LA RECETTE

Pour définir une ou plusieurs des étapes de la recette, suivez les instructions ci-dessous :

1. Maintenez le bouton Recette appuyé. Ce dernier clignotera, indiquant que les paramètres de recette sont actifs. Cela activera également les étapes de la recette et la lettre « S » s'allumera, indiquant qu'elles sont actives.
 - Utilisez les flèches de réglage pour sélectionner l'étape de la recette. Commencez par la première étape de la recette (01).
 - Une fois l'étape de la recette désirée affichée, appuyez sur le bouton Recette pour passer au réglage suivant.
 2. Réglez les heures. Les chiffres des heures clignotent pour indiquer qu'elles sont sélectionnées.
 - Utilisez les flèches de réglage pour sélectionner le nombre d'heures souhaité.
 - Une fois le nombre d'heures désiré affiché, appuyez sur le bouton Recette pour passer au réglage suivant.
 3. Réglez les minutes. Les chiffres des minutes clignotent pour indiquer qu'elles sont sélectionnées.
 - Utilisez le bouton de commande pour sélectionner le nombre de minutes souhaité.
 - Une fois le nombre de minutes souhaité affiché, appuyez sur le bouton de commande pour passer au réglage suivant.
 4. Réglez la température. L'affichage central de la température clignote pour indiquer qu'elle est sélectionnée.
 - Utilisez le bouton de commande pour sélectionner la température souhaitée.
 - Une fois la température souhaitée affichée, maintenez appuyé le bouton Recette (Recipe) pour verrouiller les paramètres de cette étape de recette.
 - Pour configurer une autre étape de la recette, appuyez rapidement sur le bouton Recette afin de sélectionner une autre étape, programmant ainsi une cuisson comportant plusieurs étapes. Répétez la procédure ci-dessus autant que nécessaire.
- Ou,
- Maintenez de nouveau appuyé le bouton Recette pour sortir des menus et lancer la recette. Le bouton Recette ne clignotera plus.

REMARQUE : les étapes de la recette seront réinitialisées lorsque l'appareil sera éteint.

CONNEXION À L'APPLICATION SMOKE IT®

Suivez ces instructions pour connecter votre barbecue à l'application Smoke iT® avec votre appareil Android™ ou iOS®. L'application vous permettra de contrôler et de surveiller les températures de votre gril et de votre sonde à viande depuis votre appareil mobile. Profitez des avantages de la connectivité mobile Smoke IT®!

1. Téléchargez l'application Smoke iT®. Ouvrez l'application et autorisez Bluetooth® à être activé pour la configuration. Les nouveaux utilisateurs devront créer un compte et suivre les invites pour se connecter.
2. Si vous êtes à portée Bluetooth® (9 m / 30 pieds), l'application Smoke iT® détectera automatiquement votre gril. Sélectionnez votre modèle de gril. Si vous ne voyez pas votre gril sur l'écran, assurez-vous que votre appareil est connecté à une source d'alimentation et qu'il est allumé.
3. Nommez votre modèle de gril (c.-à-d. My Smoker) dans l'application et sélectionnez «Connecter» en bas de l'écran. Cela enregistrera votre modèle de gril dans le menu des appareils.
4. Dans le menu des appareils, cliquez sur le modèle de gril à connecter. Cela vous montrera l'écran du panneau de contrôle.
5. Cliquez sur l'option des paramètres (engrenage) dans le coin supérieur droit, entrez vos informations d'identification Wi-Fi, puis cliquez sur la coche en bas de l'écran pour vous connecter. Désormais, les icônes Bluetooth® et Wi-Fi (cloud) s'affichent dans le menu des appareils, indiquant que le gril est connecté.

Lors de l'utilisation de l'application, l'écran brillera lorsque le gril est actif et connecté. Si l'écran ou le gril de l'application s'assombrit dans le menu des appareils, vérifiez votre connexion sans fil ou votre source d'alimentation.

PROCÉDURE D'AMORCE DE LA TRÉMIE

Ces instructions doivent être respectées lors du premier allumage du gril et à chaque fois qu'il n'y a plus de granulés dans la trémie. La vis sans fin doit être amorcée pour permettre aux granulés de traverser la trémie et remplir le pot de combustion. **Si elle n'est pas amorcée, l'allumeur stoppera avant que les granulés ne soient brûlés et aucun feu ne prendra.** Suivez ces étapes pour amorcer la trémie :

1. Ouvrez ensuite le couvercle du corps principal. Retirez tous les composants de cuisson de l'intérieur du gril. Localisez le pot de combustion au bas du corps principal. Vérifiez que le pot de combustion n'est pas obstrué afin que l'allumage se fasse correctement.
2. Branchez le câble électrique à une source d'alimentation. Appuyez sur le bouton d'alimentation pour allumer l'appareil et tournez la molette de contrôle de température sur la position SMOKE. Vérifiez les éléments suivants :
 - Que vous entendez la vis sans fin tourner. Placez votre main au-dessus du pot de combustion et cherchez la circulation d'air. Ne placez pas votre main ou vos doigts à l'intérieur du pot de combustion. Cela peut provoquer des blessures.
 - Après environ une minute, vous devriez sentir l'odeur de l'allumeur qui brûle et commencer à ressentir que l'air devient plus chaud dans le pot de combustion. L'extrémité de l'allumeur ne devient pas rouge, mais est néanmoins brûlante. Ne touchez pas l'allumeur.
3. Après avoir vérifié que les composants électriques fonctionnent correctement, maintenez enfoncé le bouton d'alimentation pendant trois secondes pour éteindre l'appareil.
4. Ouvrez le couvercle de la trémie. Assurez-vous qu'aucun objet étranger ne se trouve dans la trémie ou le système d'acheminement de la vis sans fin. Remplissez la trémie avec des granulés secs de bois naturel pour barbecue.
5. Appuyez sur le bouton d'alimentation pour allumer l'appareil. Laissez la molette de contrôle de température sur SMOKE. Maintenez le bouton Prime appuyé jusqu'à voir des granulés à l'intérieur du gril via le tube de la vis sans fin. Lorsque les granulés commencent à passer dans le pot de combustion, relâchez le bouton Prime.
6. Appuyez sur le bouton d'alimentation et maintenez-le enfoncé pendant trois secondes pour éteindre l'appareil.
7. Réinstallez les composants dans le corps principal. Le gril est désormais prêt à être utilisé.

PREMIÈRE UTILISATION - BRÛLAGE DU GRIL

Une fois votre trémie amorcée et avant de faire cuire des aliments sur votre gril pour la première fois, il est important d'effectuer un brûlage du gril. Allumez le gril et faites-le tourner à une température supérieure à 176 °C/350 °F (couvercle fermé) durant 30 à 40 minutes afin de brûler le gril et vous débarrasser de toute substance étrangère.

PROCÉDURE DE DÉMARRAGE AUTOMATIQUE

1. Branchez le câble électrique à une source d'alimentation mise à la terre. Ouvrez le couvercle du corps principal. Vérifiez que le pot de combustion n'est pas obstrué afin que l'allumage se fasse correctement. Ouvrez le couvercle de la trémie. Assurez-vous qu'aucun objet étranger ne se trouve dans la trémie ou le système d'acheminement de la vis sans fin. Remplissez la trémie avec des granulés secs de bois naturel pour barbecue.
2. Appuyez sur le bouton d'alimentation pour allumer l'appareil. Cela activera le cycle de démarrage. Le système d'acheminement de la vis sans fin commencera à tourner, l'allumeur commencera à rougeoier et le ventilateur aérera le pot de combustion. Le gril commencera à produire de la fumée lorsque le cycle de démarrage se mettra en place. Le couvercle du corps de l'appareil doit rester ouvert au cours du cycle de démarrage. Pour veiller à ce que le cycle de démarrage commence correctement, soyez à l'affût d'un grondement de flamme et assurez-vous de la production de chaleur.
3. Une fois l'épaisse fumée blanche dissipée, le cycle de démarrage sera terminé et vous pourrez commencer à profiter de votre gril à la température de votre choix !

ARRÊT DE VOTRE GRIL

1. Lorsque vous avez fini de cuisiner, tout en laissant le couvercle du corps principal fermé, appuyez sur le bouton d'alimentation pour éteindre l'appareil et placez la molette de contrôle de température sur OFF. Le gril débutera son cycle de refroidissement automatique. Le système de la vis sans fin arrêtera d'acheminer des combustibles, la flamme s'éteindra et le ventilateur continuera à tourner jusqu'à la fin du cycle de refroidissement.

ENTRETIEN ET MAINTENANCE

FR

FRANÇAIS

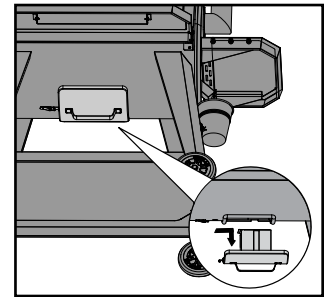
ATTENTION : débranchez toujours le câble électrique avant d'ouvrir le grill pour effectuer une inspection, un nettoyage, une maintenance ou un entretien. Veillez à ce que le grill soit totalement froid afin d'éviter toute blessure.

Avec un minimum d'entretien, chaque appareil de Pit Boss® vous confèrera de nombreuses années de service riches en saveurs. Suivez ces conseils de nettoyage et entretien pour vous occuper de votre grill :

1. NETTOYAGE DES CENDRES

- Au bas du baril du grill se trouve une fonction de nettoyage des cendres, vous donnant un accès facile à l'intérieur de votre foyer pour le nettoyer facilement aussi souvent que nécessaire. Pour vider, relâchez le loquet de la boucle sur le crochet du cendrier. Tout en tenant la poignée, faites glisser le cendrier hors de la boucle, puis tirez vers le bas pour le retirer. Une fois vidé, remplacez la boîte à cendres en la soulevant dans le bas du baril du grill, en faisant glisser la boîte à cendres vers la boucle, puis en fixant le crochet de la boîte à cendres avec le loquet de la boucle.

AVERTISSEMENT: Cette fonction ne peut être utilisée que lorsque le grill est refroidi.



2. ASSEMBLAGE DE LA TRÉMIE

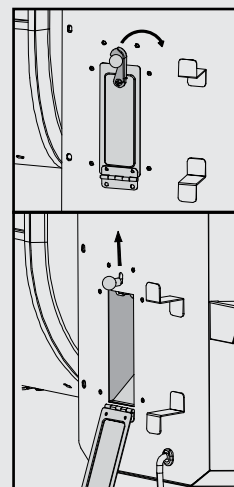
- Il est recommandé de retirer tous les granulés du système de vis sans fin si vous ne comptez pas utiliser votre grill durant une longue période. Vous pouvez faire cela simplement en faisant fonctionner votre grill avec une trémie vide, jusqu'à ce que tous les granulés aient disparu du tube de la vis sans fin.
- Retirez tous les débris éventuels du conduit d'aération du ventilateur qui se trouve au fond de la trémie. Une fois le panneau d'accès de la trémie retiré (voir **Schéma du câblage électrique**), enlevez avec soin toute la graisse accumulée sur les lames du ventilateur. Cela permet d'obtenir une aération suffisante pour le système d'acheminement.

FONCTION DE NETTOYAGE DE LA TRÉMIE

La trémie comprend une fonction de nettoyage pour permettre un nettoyage facile et la possibilité de changer les saveurs des granulés de bois. Pour vider, procédez comme suit:

1. Localisez la porte de nettoyage et le crochet de porte à l'arrière de la trémie.
2. Faites pivoter le crochet de la porte (en haut) vers la droite pour qu'il se détache de la tige du loquet de déverrouillage. Placez un seau propre et vide sous la porte de nettoyage et laissez la porte s'abaisser. Soulevez la tige du loquet de dégagement pour ouvrir la plaque de la goulotte de chute, permettant ainsi aux granulés de la trémie de se vider.
3. Une fois vide, poussez la plaque de la chute de chute en place à la main. Il se verrouille en place. Fermez la porte de nettoyage et faites pivoter le crochet de la porte sur la tige du loquet de dégagement pour le fixer.

REMARQUE: Utilisez une brosse à long manche ou un aspirateur d'atelier pour éliminer les pellets, la sciure et les débris en excès pour un nettoyage complet à travers le tamis de la trémie.



3. SONDÉS

- Des nœuds ou plis des câbles des sondes peuvent provoquer des dégâts. Les câbles doivent être enroulés, sans être serrés.
- Même si les sondes sont en acier inoxydable, ne les passez pas au lave-vaisselle et ne les immergez pas sous l'eau. Des dégâts des eaux causés aux câbles internes provoqueront des courts-circuits et donc des relevés erronés. Si une sonde est endommagée, vous devez la remplacer.

4. SURFACES INTÉRIEURES

- Il est recommandé de nettoyer votre pot de combustion régulièrement. Cela assurera l'allumage correct et évitera toute forte accumulation de débris ou de cendres dans le pot de combustion.
- Utilisez une brosse de nettoyage de gril à manche long (en laiton ou en métal doux), puis retirez la nourriture ou les accumulations sur les grilles de cuisson. Une bonne pratique consiste à le faire alors qu'elles sont encore tièdes suite à une précédente cuisson. Les feux de graisse sont causés par une accumulation de chutes de débris sur les composants de cuisson du gril. Nettoyez donc régulièrement l'intérieur de votre gril. En cas de feu de graisse, maintenez le couvercle du gril fermé afin d'étouffer le feu. Si celui-ci ne cesse pas rapidement, retirez la nourriture avec prudence, éteignez le gril et fermez le couvercle jusqu'à ce que le feu s'éteigne. Si vous avez du bicarbonate de soude, saupoudrez-en légèrement.
- Vérifiez régulièrement votre seau à graisse et nettoyez-le dès que nécessaire. N'oubliez pas le type de cuisson que vous effectuez.

IMPORTANT : à cause de leur forte chaleur, ne recouvrez pas le diffuseur de chaleur ou les sondes avec du papier aluminium.

5. SURFACES EXTÉRIEURES

- La tablette avant comprend un panneau amovible en dessous pour faciliter le nettoyage. Par le bas, poussez la plaque d'appui vers le canon principal pour la retirer. Nettoyez, puis remettez en place en le remettant en place.
- Nettoyez votre gril après chaque utilisation. Utilisez une eau savonneuse chaude pour retirer la graisse. N'utilisez pas de nettoyant pour four ni de détergents ou éponges abrasifs sur les surfaces externes du gril. **Toutes les surfaces peintes ne sont pas couvertes par la garantie, elles font partie de la maintenance et de l'entretien généraux.** Concernant les griffures sur la peinture, l'usure ou l'écaillage du vernis, toutes les surfaces peintes peuvent être retouchées à l'aide d'une peinture haute température pour barbecue.
- Utilisez une housse de gril pour protéger complètement ce dernier ! Une housse est la protection idéale contre les aléas météorologiques et les polluants extérieurs. Lorsque vous n'utilisez pas l'appareil ou que vous le rangez pour une longue période, placez-le sous une housse dans un garage ou un abri de jardin.

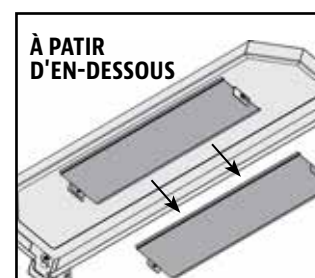


TABLEAU DE FRÉQUENCE DE NETTOYAGE (USAGE NORMAL)

ÉLÉMENT	FRÉQUENCE DE NETTOYAGE	MÉTHODE DE NETTOYAGE
Bas du gril principal	Toutes les 5 ou 6 utilisations du gril	Retirer, aspirer l'excès de débris
Pot de combustion	Toutes les 2 ou 3 utilisations du gril	Retirer, aspirer l'excès de débris
Grilles de cuisson	Après chaque utilisation du gril	Brûler l'excès, brosse en fil de laiton
Diffuseur de chaleur	Toutes les 5 ou 6 utilisations du gril	Gratter la plaque principale avec la plaque coulissante, ne pas laver
Étagères	Après chaque utilisation du gril	Éponge à récurer et eau savonneuse
Seau à graisse	Après chaque utilisation du gril	Éponge à récurer et eau savonneuse
Système d'acheminement de la vis sans fin	Lorsque le sac de granulés est vide	Laisser la vis sans fin pousser la sciure afin que la trémie soit vide
Composants électriques de la trémie	Une fois par an	Épousseter l'intérieur, nettoyer les lames du ventilateur avec de l'eau savonneuse
Conduit d'aération	Toutes les 5 ou 6 utilisations du gril	Épousseter, éponge à récurer et eau savonneuse
Sonde de température	Toutes les 2 ou 3 utilisations du gril	Éponge à récurer et eau savonneuse

CONSEILS ET TECHNIQUES

Suivez ces conseils et techniques utiles, transmis par des propriétaires de Pit Boss®, notre personnel et clients comme vous, afin de vous familiariser avec votre gril:

1. SÉCURITÉ ALIMENTAIRE

- Garder propre tout ce qui se trouve dans la cuisine et dans la surface de cuisson. Utilisez un plat et des ustensiles différents pour la viande cuite et pour préparer ou transporter la viande crue sur le gril. Ceci permettra d'éviter toute contamination croisée des bactéries. Chaque marinade ou sauce pour badigeonner devrait avoir son propre ustensile.
- Gardez les aliments chauds au chaud (au-dessus de 60°C / 140°F) et gardez les aliments froids au froids (moins de 3°C / 37°F).
- Une marinade ne devrait jamais être conservée pour une utilisation ultérieure. Si vous comptez l'utiliser pour la servir avec votre viande, assurez-vous de la faire bouillir avant de servir.
- Les aliments cuits et les salades ne devraient pas être laissés dehors dans la chaleur pendant plus d'une heure. Ne laissez pas les aliments chauds à l'extérieur du réfrigérateur pendant plus de deux heures.
- Décongeler et mariner les viandes par réfrigération. Ne décongelez pas la viande à température ambiante ou sur le comptoir. Les bactéries peuvent grandir et se multiplier rapidement dans les aliments chauds et humides. Lavez-vous bien les mains avec de l'eau tiède savonneuse avant de commencer à préparer votre plat, et après avoir manipulé de la viande fraîche, du poisson et de la volaille.

2. PRÉPARATION DE CUISSON

- Soyez préparé ou **Mise en place**. Ceci fait référence à la préparation de la recette, le combustible, les accessoires, les ustensiles et tous les ingrédients dont vous aurez besoin à côté du gril avant de commencer la cuisson. Aussi, lisez la recette complète, du début à la fin, avant d'allumer le gril.
- Un tapis protecteur pour BBQ peut être très utile. En raison des accidents qui surviennent en raison de la manipulation des aliments et des différents styles de cuisson, ce tapis aidera à protéger les dalles de votre patio ou de votre terrasse contre tout risque de tache de graisse ou déversements accidentels

3. CONSEILS ET TECHNIQUES DE GRILLADE

- Pour infuser plus de saveur fumée et gardez vos viandes juteuses, cuisez-les plus longtemps à une température plus basse (également connu sous le nom de **faible et lent**). La viande fermera ses fibres après avoir atteint une température interne de 49°C (120°F). La pulvérisation en brouillard et l'épandage sont d'excellents moyens permettant d'éviter que la viande ne se dessèche.
- Lorsque vous saisissez vos viandes, cuisinez toujours avec le couvercle fermé. Utilisez toujours un thermomètre à viande pour évaluer la température interne des aliments que vous cuisinez. Fumer la nourriture avec des granulés de bois fait rosir la viande et la volaille. **La bande rose** (après la cuisson) est aussi appelée anneau de fumée et est très appréciée par les chefs de plein air.
- Il est fortement recommandé d'appliquer les sauces à base de sucre vers la fin de la cuisson pour éviter les brûlures et flambées.
- Laissez un espace de dégagement entre les aliments et les extrémités du baril pour une bonne circulation de la chaleur. Beaucoup d'aliments sur une grille de cuisson encombrée prendront plus de temps à cuire.
- Utilisez des pinces avec une longue poignée pour retourner toutes les viandes et des spatules pour retourner les burgers et le poisson. L'utilisation d'un ustensile perçant, comme une fourchette, permet de piquer la viande et de laisser s'évacuer les jus.
- Les aliments dans des casseroles profondes nécessitent plus de temps pour cuire que dans une poêle peu profonde.
- C'est une bonne idée de mettre les aliments grillés sur une grande assiette préchauffée pour garder vos aliments chauds. Les viandes rouges comme les steaks et rôtis seront meilleurs si vous les laissez reposer pendant quelques minutes avant de les servir. Ceci permet aux jus délicieux que la chaleur a fait remonter à la surface de retourner au centre et de lui donner plus de saveur.

DÉPANNAGE

Un nettoyage et une maintenance adaptés, ainsi que l'utilisation de combustible propre, sec et de qualité évitera la plupart des problèmes de fonctionnement. Lorsque votre gril Pit Boss® est mal ou peu utilisé, les astuces de dépannage suivantes peuvent s'avérer utiles. Pour consulter des FAQ, rendez-vous sur www.pitboss-grills.com. Vous pouvez également contacter votre revendeur local agréé par Pit Boss® ou le service clients pour obtenir de l'aide.

ATTENTION : débranchez toujours le câble électrique avant d'ouvrir le gril pour effectuer une inspection, un nettoyage, une maintenance ou un entretien. Veillez à ce que le gril soit totalement froid afin d'éviter toute blessure.

PROBLÈME	CAUSE	SOLUTION
Aucun éclairage sur le panneau de contrôle	Non connecté à une source d'alimentation	Veillez à ce que l'appareil soit relié à une source d'alimentation en état de marche. Réinitialisez le disjoncteur. Veillez à ce que la prise DDFT fonctionne à un minimum de 10 A (consultez le Schéma du câblage électrique pour accéder aux composants électriques). Veillez à ce que tous les câblages soient fermement reliés et secs.
	Fusible grillé sur le panneau de contrôle	Retirez le panneau d'accès de la trémie (consultez le Schéma du câblage électrique), appuyez sur les languettes en plastique maintenant le panneau de contrôle en place et poussez le contrôleur à l'intérieur de la trémie pour le dégager. Vérifiez le fusible pour voir si un câble est cassé ou noirci. Si tel est le cas, le fusible doit être remplacé manuellement.
	Panneau de contrôle défectueux	Le panneau de contrôle doit être remplacé. Contactez le service clients pour obtenir une pièce de rechange.
Le feu du pot de combustion ne s'allume pas	La vis sans fin n'est pas amorcée	Avant d'utiliser l'appareil pour la première fois ou dès que la trémie est entièrement vide, la vis sans fin doit être amorcée pour permettre aux granulés de remplir de tube. Si elle n'est pas amorcée, l'allumeur stoppera avant que les granulés n'atteignent le pot de combustion. Suivez la Procédure d'amorce de la trémie.
	Le moteur de la vis sans fin est bloqué	Retirez les composants de cuisson du corps principal de l'appareil. Appuyez sur le bouton d'alimentation pour allumer l'appareil, tournez la molette de contrôle de température sur la position SMOKE et inspectez le système d'acheminement de la vis sans fin. Confirmez visuellement que la vis sans fin achemine des granulés dans le pot de combustion. Si le processus ne fonctionne pas correctement, appelez le service clients pour obtenir de l'aide ou une pièce de rechange.
	Problème d'allumeur	Retirez les composants de cuisson du corps principal de l'appareil. Appuyez sur le bouton d'alimentation pour allumer l'appareil, tournez la molette de contrôle de température sur la position SMOKE et inspectez l'allumeur. Confirmez visuellement que l'allumeur fonctionne en plaçant votre main au-dessus du pot de combustion en quête de chaleur. Confirmez visuellement que l'allumeur dépasse d'environ 13 mm/0,5 po dans le pot de combustion. S'il ne fonctionne pas correctement, suivez la Procédure de démarrage manuel pour continuer à utiliser votre gril. Appelez le service clients pour obtenir de l'aide ou une pièce de rechange.
La lecture de la température réelle ne s'ajustera pas	Sonde de grillage sale	Suivez les instructions d'Entretien et maintenance.
	La sonde du gril est cassée	La sonde du gril doit être remplacée. Contactez le service clientèle.
Le gril ne parvient pas à une température stable ou n'arrive pas à la maintenir	Écoulement d'air insuffisant dans le pot de combustion	Vérifiez qu'il n'y a pas d'accumulation de cendres ou d'obstruction dans le pot de combustion. Suivez les instructions d'Entretien et maintenance en cas d'accumulation de cendres. Vérifiez le ventilateur. Assurez-vous qu'il fonctionne correctement et que le conduit d'entrée d'air n'est pas bouché. Suivez les instructions d'Entretien et maintenance si celui-ci est sale. Vérifiez le bon fonctionnement du moteur de la vis sans fin et assurez-vous que le tube de la vis sans fin n'est pas bloqué. Une fois toutes les étapes précédentes effectuées, démarrez le gril, configurez la température sur SMOKE et attendez 10 minutes. Vérifiez que la flamme produite est vive.
	Manque de combustible, combustible de mauvaise qualité ou obstruction du système d'acheminement	Vérifiez que le niveau de combustible dans la trémie est suffisant, remplissez si besoin. Si la qualité des granulés de bois est mauvaise ou que leur taille est trop grande, le système d'acheminement peut s'obstruer. Retirez les granulés et suivez les instructions d'Entretien et maintenance.
	Sonde de gril	Vérifiez le statut de la sonde de température. Suivez les instructions d'Entretien et maintenance si celui-ci est sale. Contactez le service clients pour obtenir une pièce de rechange en cas de dommage.

Le gril produit trop de fumée ou une fumée décolorée	Accumulation de graisse	Suivez les instructions d'Entretien et maintenance.
	Qualité des granulés de bois	Retirez les granulés de bois humides de la trémie. Suivez les instructions d'Entretien et maintenance pour procéder au nettoyage. Remplacez-les par des granulés de bois secs.
	Le pot de combustion est bloqué	Retirez les granulés de bois humides du pot de combustion. Suivez la Procédure d'amorce de la trémie.
	Arrivée d'air insuffisante pour le ventilateur	Vérifiez le ventilateur. Assurez-vous qu'il fonctionne correctement et que le conduit d'entrée d'air n'est pas bouché. Suivez les instructions d'Entretien et maintenance si celui-ci est sale.
Flambées fréquentes	Température de cuisson	Essayez de cuire à plus faible température. La graisse possède un point d'inflammabilité. Maintenez une température inférieure à 176 °C/350 °F lorsque vous cuisez des aliments très gras.
	Accumulation de graisse sur les composants de cuisson	Suivez les instructions d'Entretien et maintenance.
Code d'erreur « ErP »	L'appareil n'a pas été éteint correctement lors de sa dernière connexion à l'alimentation.	Une fonction de sécurité empêche un démarrage automatique. Appuyez sur le bouton d'alimentation et maintenez-le enfoncé pendant trois secondes pour éteindre l'appareil, puis appuyez à nouveau sur le bouton d'alimentation pour allumer l'appareil. Tournez la molette de commande sur SMOKE ou sur la température désirée. Si le code d'erreur s'affiche toujours, contactez le service client.
	Coupure de courant alors que l'appareil est allumé.	
Code d'erreur « ErH »	L'appareil a surchauffé, probablement à cause d'un feu de graisse ou un d'excès de combustible.	Appuyez sur le bouton d'alimentation et maintenez-le enfoncé pendant trois secondes pour éteindre l'appareil et le laisser refroidir. Suivez les instructions d'entretien et de maintenance. Après l'entretien, retirez les pellets et vérifiez le bon positionnement de tous les composants. Une fois l'appareil refroidi, appuyez sur le bouton d'alimentation pour l'allumer et sélectionnez la température souhaitée. Si le code d'erreur s'affiche toujours, contactez le service client.
Code d'erreur « ErL »	Le gril ne parvient pas à effectuer le cycle de démarrage	Vérifiez le bon positionnement des éléments de cuisson. Vérifiez que la trémie contient assez de combustible ou que le système d'alimentation n'est pas obstrué. Retirez les granulés et suivez les instructions d'Entretien et maintenance. Vérifiez la sonde du gril. Confirmez si la température réelle est correcte et précise. Suivez les instructions d'Entretien et maintenance si celui-ci est sale. Vérifiez le positionnement de l'allumeur et s'il chauffe correctement. En cas de froid extrême, le gril peut nécessiter un second démarrage. Éteignez le gril, attendez, puis rallumez-le. Vérifiez le ventilateur. Assurez-vous qu'il fonctionne correctement. Suivez les instructions d'Entretien et maintenance si celui-ci est sale.
	Le gril ne restera pas allumé	
l'icône GRANULES est visible	Manque de combustible, combustible de mauvaise qualité, obstruction du système d'acheminement ou vis sans fin bloquée	Vérifiez que le niveau de combustible dans la trémie est suffisant, remplissez si besoin. Si la qualité des granulés de bois est mauvaise ou que leur taille est trop grande, le système d'acheminement peut s'obstruer. Retirez les granulés et suivez les instructions d'Entretien et maintenance .
L'icône d'ALLUMEUR clignotante	L'allumeur ne fonctionne pas correctement, n'établit pas de connexion	Retirez les composants de cuisson du corps principal de l'appareil Appuyez sur le bouton d'alimentation pour allumer l'appareil et inspectez l'allumeur. Vérifiez visuellement que l'allumeur fonctionne en plaçant votre main au-dessus de la grille de combustion et en sentant la chaleur. Vérifiez visuellement que l'allumeur est aligné avec le trou de la grille de combustion et ouvrez-le pour allumer les granulés. S'il ne fonctionne pas correctement, appelez le service clientèle pour obtenir de l'aide ou une pièce de rechange.
	Problème d'allumeur	L'allumeur doit être remplacé. Contactez le service client pour les pièces de rechange.
L'icône de TARIÈRE clignotante	La vis sans fin n'est pas amorcée	Avant la première utilisation de l'unité ou à chaque fois que la trémie est complètement vidée, la vis sans fin doit être amorcée pour permettre aux granulés de remplir le pot de combustion. S'il n'est pas amorcé, l'allumeur expirera avant que les pellets ne s'enflamment. Suivez la procédure d'amorçage de la trémie .
	Le moteur de la vis sans fin est bloqué, n'établissant pas de connexion	Retirez les composants de cuisson du baril principal. Appuyez sur le bouton d'alimentation pour allumer l'unité et inspecter le système d'alimentation de la vis sans fin. Vérifiez visuellement que la vis sans fin laisse tomber des granulés dans le pot de combustion. S'il ne fonctionne pas correctement, appelez le service clientèle pour obtenir de l'aide ou une pièce de rechange.
L'icône de VENTILATEUR clignotante	Le ventilateur ne fonctionne pas correctement, n'établit pas de connexion	Vérifiez le ventilateur. Assurez-vous qu'il fonctionne correctement et que le conduit d'entrée d'air n'est pas bouché. Retirez le panneau d'accès à la trémie (voir le schéma du câblage électriques pour le schéma) et vérifiez que les fils du ventilateur ne sont pas endommagés. Suivez les instructions d'Entretien et maintenance si celui-ci est sale.

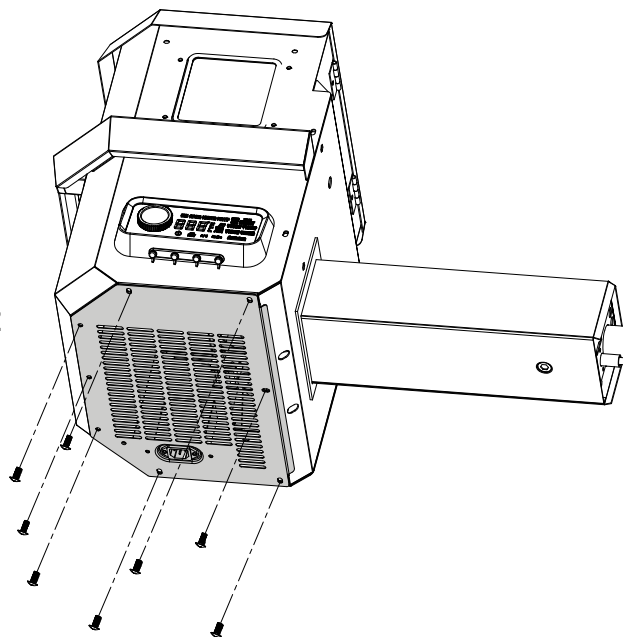
SCHÉMA DU CÂBLAGE ÉLECTRIQUE

Le système du panneau de contrôle utilise une technologie complexe de grande valeur. Pour vous protéger contre les surtensions et les courts-circuits électriques, consultez le schéma du câblage ci-dessous afin de veiller à ce que votre source d'alimentation soit suffisante pour faire fonctionner l'appareil.

PB – EXIGENCES ÉLECTRIQUES 220-240 V, 50 Hz, 275 W, FICHE MISE À LA TERRE

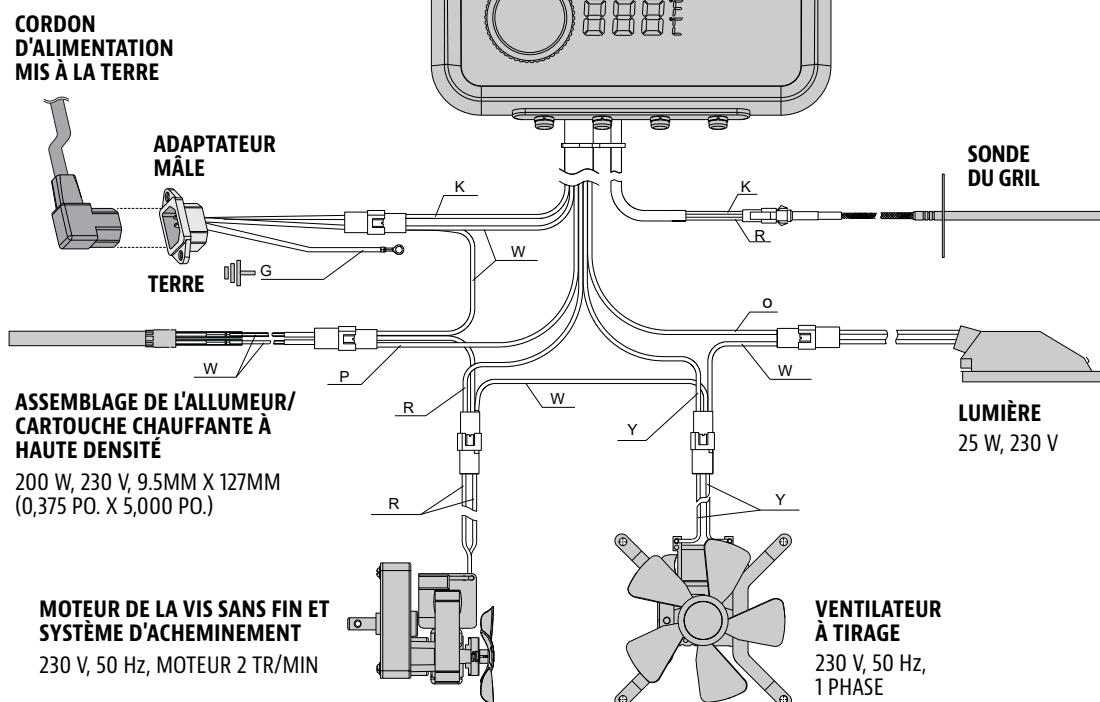
REMARQUE : les composants électriques, ayant été soumis à des tests de sécurité produit et des services de certification, sont conformes à une tolérance de test de ± 5 à 10 %.

LOCALISEZ ET RETIREZ
LES HUIT VIS DU
PANNEAU D'ACCÈS EN
DESSOUS DE L'UNITÉ



INDICE DE
CONSUMMATION
DE CARBURANT:
2,0 KG/H
(4,4 LB/H)

PANNEAU DE CONTRÔLE

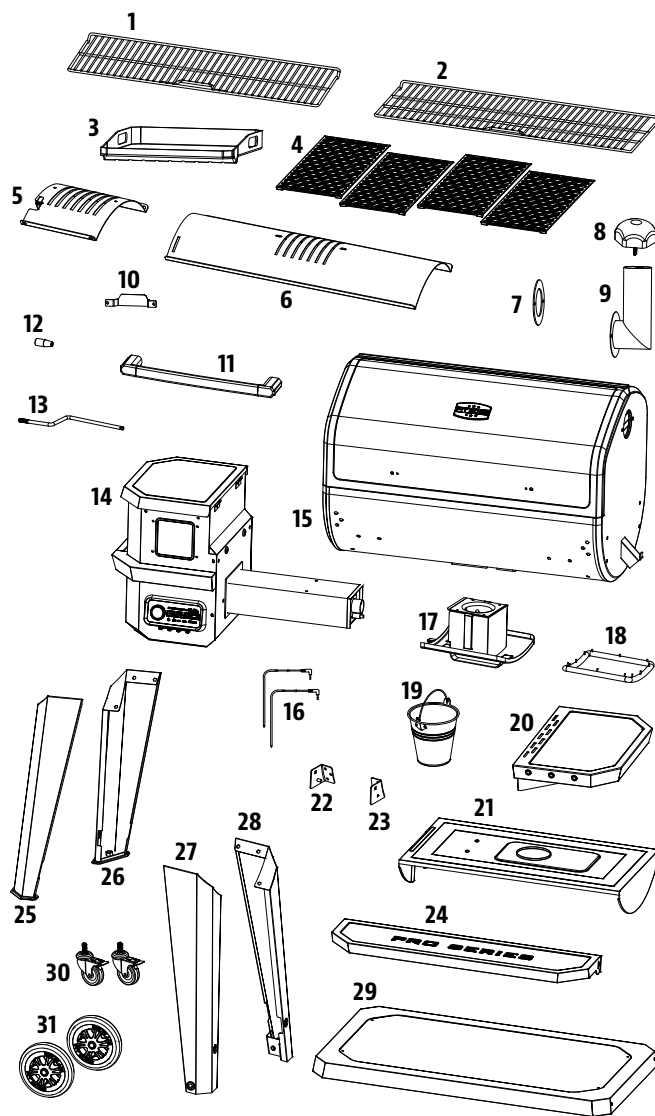


INDEX

K : NOIR
W : BLANC
R : ROUGE
Y : JAUNE
P : MAUVE
O : ORANGE
G : VERT

PIÈCES DE RECHANGE DU GRIL

No.	Description des pièces
1	Grille de cuisson supérieure (x1)
2	Grille de cuisson du milieu (x1)
3	Gril en fonte (x1)
4	Grilles de cuisson (x4)
5	Plaque coulissante du diffuseur de chaleur (x1)
6	Plaque principale du diffuseur de chaleur (x1)
7	Joint de cheminée (x1)
8	Chapeau de cheminée (x1)
9	Sortie de cheminée (x1)
10	Support de rack (x1)
11	Poignée pour couvercle (x1)
12	Poignée de la barre de réglage du grilloir à flamme (x1)
13	Barre de réglage du grilloir à flamme (x1)
14	Assemblage de la trémie (x1)
15	Assemblage gril principal (x1)
16	Sonde de cuisson (x2)
17	Boîte à cendres (x1)
18	Joint de boîte à cendres (x1)
19	Seau à graisse (x1)
20	Étagère latérale (x1)
21	Plaque de diffusion (x1)
22	Support pour étagère avant/gauche (x1)
23	Support pour étagère avant /droit (x1)
24	Étagère avant (x1)
25	Pied de support gauche - avant (x1)
26	Pied de support gauche - arrière (x1)
27	Pied de support droit - avant (x1)
28	Pied de support droit - arrière (x1)
29	Étagère inférieure (x1)
30	Roulettes pivotantes à frein (x2)
31	Roue (x2)
A	Vis (x28)
B	Rondelle (x24)
C	Rondelle de blocage (x22)
D	Crochets à ustensiles (x3)
E	Goupille bêta pour roue (x2)
F	Rondelle pour roue (x2)
G	Goupille cannelée pour roue (x2)
H	Vis (x2)
I	Écrous (x2)
J	Bague (x2)



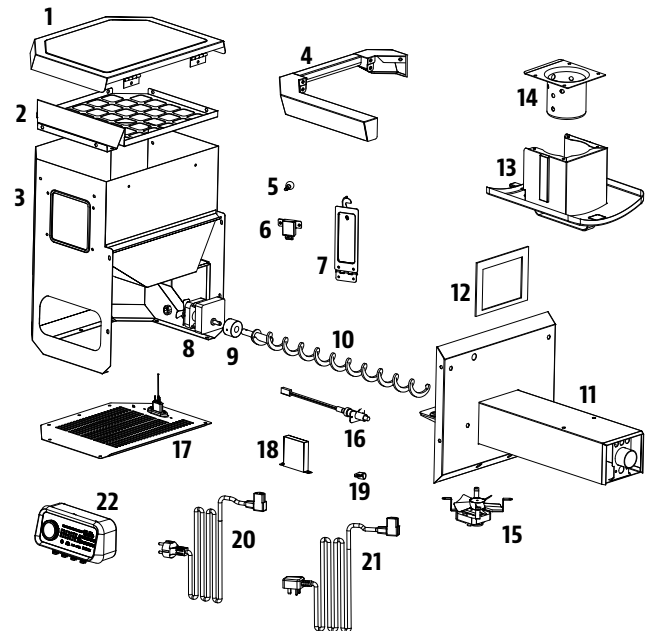
REMARQUE : En raison du développement continu du produit, les pièces peuvent être modifiées sans préavis.

FR

FRANÇAIS

PIÈCES DE RECHANGE DE TRÉMIE

No.	Description des pièces
1	Couvercle de la trémie (x1)
2	Écran de sécurité de la trémie
3	Boîtier de la trémie (x1)
4	Poignée de la trémie (x1)
5	Poignée de blocage de la boîte de dépôt (x1)
6	Assemblage de la boîte de dépôt (x1)
7	Porte de la boîte de dépôt (x1)
8	Moteur de la vis sans fin (x1)
9	Bague en nylon (x1)
10	Assemblage de la vis sans fin (x1)
11	Boîtier de la vis sans fin (x1)
12	Joint du boîtier de la trémie (x1)
13	Boîte à cendres (x1)
14	Pot de combustion (x1)
15	Ventilateur de combustion (x1)
16	Allumeur (x1)
17	Panneau d'accès de la trémie (x1)
18	Couvercle étanche du cordon d'alimentation (x1)
19	Clip du cordon d'alimentation (x1)
20	Cordon d'alimentation - fiche F (x1)
21	Cordon d'alimentation - fiche G (x1)
22	Panneau de commande (x1)



FR
FRANÇAIS

GARANTIE

CONDITIONS

Tous les grils à granulés de bois de Pit Boss®, fabriqués par Dansons, s'accompagnent d'une garantie limitée à compter de la date de vente au propriétaire d'origine. La couverture de garantie débute à la date d'achat d'origine et une preuve de la date d'achat, ou une copie de l'acte de vente d'origine, est nécessaire pour faire entrer la garantie en vigueur. Les clients devront payer des frais relatifs aux pièces, à l'envoi et au traitement s'ils ne sont pas en mesure de fournir une preuve d'achat ou après expiration de la garantie. Dansons offre une garantie de cinq (5) ans sur les défauts et la confection de toutes les pièces et une garantie de cinq (5) ans sur les composants électriques. Dansons garantit que toutes les pièces sont exemptes de défauts de matériaux et de fabrication, pour la durée d'utilisation et de possession de l'acheteur d'origine. La garantie ne couvre pas les dégâts d'usure, tels que les éraflures, les entailles, les cabossages, les éclats ou les fissures cosmétiques mineures. Ces modifications esthétiques du gril n'impactent pas ses performances. La réparation ou le remplacement d'une pièce ne prolonge pas la garantie limitée au-delà des cinq (5) ans suivant la date d'achat.

Durant la période de la garantie, l'obligation de Dansons est limitée à la fourniture de pièces de rechange en cas de composants défectueux. Tant que cela se produit pendant la période de la garantie, Dansons ne vous facturera pas la réparation ou le remplacement des pièces retournées, fret payé d'avance, si Dansons détermine que ces pièces se révèlent défectueuses après inspection. Dansons ne sera pas tenu responsable des frais de transport, du prix de la main-d'œuvre ou des droits de sortie. Sauf disposition contraire dans ces conditions de garantie, la réparation ou le remplacement des pièces de la façon et pour la durée fixée ci-dessous, constituera l'accomplissement de toutes les responsabilités et obligations directes et dérivées de Dansons envers vous.

Dansons prend soin d'utiliser des matériaux retardant la formation de rouille. Même avec ces garanties, le revêtement protecteur peut être compromis par diverses substances et conditions qui échappent au contrôle de Dansons. Les fortes températures, l'humidité excessive, le chlore, les gaz industriels, les engrais, les pesticides utilisés pour les pelouses et le sel sont quelques-unes des substances pouvant affecter les revêtements métalliques. C'est pourquoi les garanties limitées ne couvrent pas la rouille ni l'oxydation, à moins que le composant du gril présente une perte d'intégrité structurelle. Si les scénarios décrits ci-dessus venaient à se produire, veuillez vous référer à la section Entretien et maintenance pour prolonger la durée de vie de votre appareil. Dansons recommande l'utilisation d'une housse de gril lorsque ce dernier n'est pas utilisé. Cette garantie s'applique à un usage domestique et à utilisation normale du gril et aucune des garanties limitées ne s'applique à un gril utilisé pour des applications commerciales.

EXCEPTIONS

Il n'existe pas de garantie de performance écrite ou implicite concernant les grils Pit Boss® car le fabricant ne contrôle pas l'installation, le fonctionnement, le nettoyage, l'entretien ou le type de combustible brûlé. Cette garantie ne s'appliquera pas, et Dansons n'assumera aucune responsabilité, si votre appareil n'a pas été installé, utilisé, nettoyé et entretenu conformément à ce mode d'emploi. L'utilisation d'un gaz non évoqué dans ce document pourrait annuler la garantie. La garantie ne couvre pas les dommages ou casses causés par une mauvaise utilisation, une mauvaise manipulation ou des modifications. Dansons et les revendeurs agréés par Pit Boss® déclinent toute responsabilité, légale ou autre, quant aux dommages accidentels ou consécutifs à la propriété ou aux personnes résultant de l'utilisation de ce produit. Si une plainte est déposée contre Dansons, basée sur la violation de cette garantie ou de tout autre type de garantie explicite ou implicite en vertu d'une loi, le fabricant ne sera en aucun cas tenu responsable des dommages particuliers, directs, indirects et consécutifs ou de tout autre dommage, quel qu'il soit, qui dépasserait le prix d'achat d'origine du produit. Toutes les garanties du fabricant sont énoncées dans les présentes et aucune plainte ne peut être déposée contre le fabricant par le biais d'une garantie ou d'une représentation. Certains états n'autorisent pas l'exclusion ou la limitation des dommages ou garanties accessoires ou consécutifs, ni la limitation de garanties tacites, de sorte que certaines des limitations ou exclusions exposées dans les présentes peuvent ne pas s'appliquer à vous. Cette garantie limitée vous donne des droits juridiques spécifiques, et d'autres droits qui varient d'un État à l'autre.

COMMANDER DES PIÈCES DE RECHANGE

Pour commander des pièces de rechange, veuillez contacter votre revendeur local de Pit Boss® ou consulter notre boutique en ligne à : www.pitboss-grills.com

CONTACTER LE SERVICE CLIENTS

Si vous avez la moindre question ou si vous rencontrez des problèmes, contactez le service clients : www.pitboss-grills.com

SERVICE DE LA GARANTIE

Contactez le revendeur de Pit Boss® le plus proche de chez vous si vous avez besoin d'une réparation ou de pièces de rechange. Dansons exige une preuve d'achat afin d'établir une réclamation sous garantie. Ainsi, conservez votre reçu ou votre facture d'origine pour vous y référer ultérieurement. Le numéro de série et de modèle de votre appareil Pit Boss® se trouve à l'intérieur du couvercle de la trémie. Les numéros d'enregistrement ci-dessous ainsi que l'étiquette peuvent s'user ou devenir illisibles.

MODÈLE

NUMÉRO DE SÉRIE

DATE D'ACHAT

REVENDEUR AGRÉÉ

FR

FRANÇAIS

INFORMACIÓN DE SEGURIDAD

LAS FALLAS DE MANTENIMIENTO Y EL INCUMPLIMIENTO DE LAS DISTANCIAS REQUERIDAS ENTRE EL APARATO Y LOS MATERIALES COMBUSTIBLES SON CAUSAS IMPORTANTES DE INCENDIOS. ES DE LA MAYOR IMPORTANCIA QUE ESTE PRODUCTO SOLAMENTE SE UTILICE DE ACUERDO CON ESTAS INSTRUCCIONES.

Por favor lea y comprenda este manual en su totalidad antes de intentar armar, utilizar o instalar el producto. Esto garantizará que pueda utilizar su nuevo asador de pellets de madera de la manera más agradable y sin problemas. También le recomendamos conservar este manual para referencia futura.

PELIGROS Y ADVERTENCIAS

Debe comunicarse con su asociación local de vecinos, funcionarios de construcción o control de incendios, o con la autoridad competente, para obtener los permisos y la información necesarios sobre restricciones de instalación, como la instalación de un asador en una superficie combustible, los requisitos de inspección, o incluso la capacidad de usarlo, en su región.

1. Es necesario mantener un espacio libre mínimo de 914 mm (36 pulg.) entre materiales combustibles y los costados del ahumador y de 914 mm (36 pulg.) desde la parte trasera del ahumador a materiales combustibles. **No instale el aparato en pisos combustibles o en pisos protegidos con superficies combustibles, a menos que se obtengan las autorizaciones y los permisos apropiados de las autoridades competentes.** No use este aparato bajo techo, en un área cerrada o sin ventilación, dentro de hogares, vehículos, carpas, garajes. Este aparato de pellets de madera no debe colocarse bajo un techo o saliente de material combustible. Mantenga su asador en un área despejada y libre de materiales combustibles, gasolina y otros vapores y líquidos inflamables.

En caso de un fuego de grasa, debe APAGAR el asador y dejar la tapa cerrada hasta que se apague el fuego. Desconecte el cable de alimentación eléctrica. No arroje agua sobre el fuego. No trate de sofocar el fuego. Es muy recomendable mantener cerca un extintor de incendios aprobado para todo tipo de fuego (clase ABC). Si ocurre un incendio sin control, llame al Departamento de Bomberos.

2. Mantenga los cables de alimentación eléctrica y el combustible lejos de las superficies calientes. No use la barbacoa en condiciones de lluvia ni cerca de fuentes de agua. Si el cable de alimentación está dañado, debe ser reemplazado por el fabricante, su agente de servicio o personas calificadas de manera similar para evitar un peligro.
3. Después de un período de almacenamiento o falta de uso, revise la rejilla de combustión para detectar obstrucciones, y la chimenea para obstrucciones del flujo de aire. Límpiela antes de usarla. Se requiere un cuidado regular y el mantenimiento para prolongar la vida útil de la unidad. **Si el asador se almacena en exteriores durante la temporada de lluvias o en temporadas de alta humedad, debe tener cuidado de que no entre agua en la tolva.** Siempre debe desconectar la alimentación eléctrica antes de realizar cualquier servicio o mantenimiento.

No transporte su asador mientras está en operación o mientras el asador está caliente. Asegúrese de que el fuego está completamente apagado y de que el asador está completamente frío al tacto antes de moverlo.

4. Se recomienda utilizar guantes resistentes al calor cuando opere el asador. No utilice accesorios no especificados para su uso con este aparato. No coloque una cubierta para asador u otra cosa inflamable dentro del espacio de almacenamiento debajo del asador.

5. Para evitar lesiones o daños al barreno, el aparato cuenta con una cubierta de seguridad en la tolva metálica. Esta cubierta no debe ser retirada a menos que así lo indique Servicio al Cliente o un distribuidor autorizado.

Este aparato puede ser utilizado por niños a partir de 8 años y personas con capacidades físicas, sensoriales o mentales reducidas o con falta de experiencia y conocimiento si han recibido supervisión o instrucciones sobre el uso del aparato de forma segura y comprenden los peligros. involucrado. Los niños no deben jugar con el aparato. Los niños no deben realizar la limpieza y el mantenimiento del usuario sin supervisión.

6. Algunas partes del asador podrían estar muy calientes y pueden causar lesiones graves. Mantenga a los niños pequeños y las mascotas alejados mientras lo utiliza.
7. No agranda los agujeros del encendedor ni las cámaras de combustión. De no cumplir con esta advertencia, podría causar un peligro de incendios y lesiones corporales y anulará su garantía.
8. El producto puede tener bordes o puntos afilados. El contacto puede provocar lesiones. Tratar con cuidado.

ELIMINACIÓN DE LAS CENIZAS

Las cenizas deben ser colocadas en un recipiente metálico con una tapa hermética. El recipiente cerrado de cenizas debe colocarse en un piso no combustible o en el suelo, lejos de todos los materiales combustibles, hasta su eliminación definitiva. Cuando elimine las cenizas enterrándolas en la tierra o dispersándolas, debe conservarlas en un recipiente cerrado hasta que todas las brasas se hayan enfriado por completo.

COMBUSTIBLE DE PELLETS DE MADERA

Este aparato de cocina de gránulos está diseñado y aprobado solo para combustibles de gránulos de madera completamente naturales. Cualquier otro tipo de combustible que se use en este aparato anulará la garantía y los anuncios de seguridad. Debe usar únicamente gránulos de madera completamente naturales, diseñados para parrillas de barbacoas para gránulos. No use combustible con aditivos. Les granulés de bois sont très sensibles à l'humidité et doivent toujours être stockés au sein d'un récipient hermétique. Si vous stockez votre gril, sans l'utiliser, pendant une période prolongée, nous vous recommandons de retirer tous les granulés de la trémie et de la vis sans fin de votre gril, afin d'éviter les bourrages. El valor calorífico medio del combustible de pélets es de 18,6-20,4 MJ/kg (8000-8770 Btu/lb), cenizas de <1%.

No use roca de lava, trozos de madera, carbón de leña, licores, petróleo, gasolina, líquido de encendedores o queroseno para encender o avivar el fuego en su asador.

Al momento de la impresión, no hay un estándar de la industria para pellets de madera para asador, aunque la mayoría de los fabricantes de pellets usan los mismos estándares aplicados para la fabricación de pellets de madera para calefacción casera. Puede encontrar más información en www.pelletheat.org o en el *Pellet Fuel Institute*.

Consulte a su distribuidor local sobre la calidad de los pellets en su región y pídale información la calidad de las distintas marcas. Dado que no existe ningún control sobre la calidad de los pellets utilizados, no asumimos ninguna responsabilidad por los daños causados por combustible de mala calidad.

CREOSOTA

La creosota, u hollín, es una sustancia similar a la brea. Cuando se quema produce un humo negro que deja residuos que también son de color negro. El hollín o creosota se forma cuando el aparato se utiliza de manera incorrecta, como: una colocación incorrecta de la rejilla de combustión, obstrucción del ventilador de combustión, falta de limpieza y mantenimiento del área de combustión, pellets afectados por la humedad, o una mala relación aire-combustible en la combustión.

Es peligroso utilizar este aparato si la llama se vuelve oscura y con hollín, o si la cámara de combustión se desborda de pellets. Al encenderse, esta creosota genera un fuego extremadamente caliente y sin control, similar a un fuego de grasa. Si esto ocurre, APAGUE la unidad, déjela enfriarse por completo, y luego inspecciónela para darle mantenimiento y limpiarla. Por lo general se acumula en las áreas de escape de gases.

Si se ha formado creosota dentro de la unidad, permita que esta se caliente a una temperatura baja, luego APAGUE el aparato y limpie la acumulación con una toalla de mano. Al ser similar a la brea, es mucho más fácil limpiarla cuando está caliente, ya que se vuelve líquida.

MONÓXIDO DE CARBONO ("EL ASESINO SILENCIOSO")

El monóxido de carbono es un gas incoloro, inodoro e insípido que se produce al quemar gas, madera, propano, carbón y otros combustibles. El monóxido de carbono reduce la capacidad de la sangre para transportar oxígeno. Los niveles bajos de oxígeno en la sangre pueden causar dolor de cabeza, mareos, debilidad, náuseas, vómitos, somnolencia, confusión, pérdida de la conciencia y muerte. Siga estas instrucciones para evitar que este gas incoloro e inodoro lo intoxique a usted, a su familia o a otras personas:

- Consulte a un médico si usted u otras personas presentan síntomas de resfriado o gripe mientras cocinan o en los alrededores del aparato. La intoxicación por monóxido de carbono, que puede confundirse fácilmente con gripe o resfriado, con frecuencia se detecta demasiado tarde.
- El consumo de alcohol y drogas aumentan los efectos de la intoxicación por monóxido de carbono.

El monóxido de carbono es especialmente tóxico para madres e hijos durante el embarazo, así como para los bebés, los ancianos, los fumadores y las personas con problemas de la sangre y el sistema circulatorio, como anemia o enfermedades cardíacas.

ANUNCIOS DE SEGURIDAD

Cumple las disposiciones de EN 60335-2-102:2016, EN 60335-1:2012 + A11:2014 + A13:2017 + A1: 2019 + A14: 2019 + A2: 2019, EN62233: 2008, EN 55014-1:2017, EN IEC 61000-3-2:2019, EN 61000-3-3:2013+A1:2019, EN 55014-2:2015.



DECLARACIÓN DE CUMPLIMIENTO DE LA FCC

Este dispositivo cumple con la parte 15 de las normas de la FCC. Su funcionamiento está sujeto a las dos condiciones siguientes: (1) Este dispositivo no puede causar interferencias perjudiciales, y (2) Este dispositivo debe aceptar cualquier interferencia recibida, incluyendo interferencias que puedan causar un funcionamiento no deseado.



Este equipo se ha probado y se ha determinado que cumple con los límites para un dispositivo digital de clase B, de acuerdo con la parte 15 de las normas de la FCC. Estos límites están destinados a ofrecer una protección razonable frente a interferencias perjudiciales en instalaciones residenciales. Este equipo genera, utiliza y puede irradiar energía de radiofrecuencia y, si no se instala y utiliza de acuerdo con las instrucciones, puede causar interferencias perjudiciales en las comunicaciones de radio. Sin embargo, no existe ninguna garantía de que no se produzcan interferencias en una determinada instalación. Si este equipo llega a causar interferencias indeseables en la recepción de radio o televisión, lo cual se puede determinar apagando y encendiendo el equipo, se recomienda al usuario que trate de corregir la interferencia tomando una o más de las siguientes medidas:

- Reorientar o cambiar la ubicación de la antena receptora.
- Aumentar la separación entre el equipo y el receptor.
- Conectar el equipo a una toma de corriente a un circuito distinto al que está conectado el receptor.
- Consultar al distribuidor o a un técnico de radio/televisión experimentado para obtener ayuda.

Precaución: Se advierte al usuario que los cambios o modificaciones no aprobados expresamente por la parte responsable del cumplimiento podrían anular la autoridad del usuario para operar el equipo.

La marca denominativa y el logotipo de Bluetooth® son marcas comerciales registradas propiedad de Bluetooth® SIG, Inc. y cualquier uso de dichas marcas por parte de Espressif se realiza bajo licencia. Otras marcas y nombres comerciales pertenecen a sus respectivos propietarios.



AVISO DE COPYRIGHT

Copyright 2021. Todos los derechos reservados. Ninguna parte de este manual podrá copiarse, transmitirse, transcribirse, almacenarse en un sistema de recuperación, de ninguna forma ni por cualquier medio sin la autorización expresa por escrito de,

DANSONS EUROPE

11 Rue Galvani Paris, France 75017

DANSONS AMÉRICA DEL NORTE

3411 North 5th Avenue, Suite 500, Phoenix, AZ, EE. UU. 85013

ATENCIÓN AL CLIENTE

www.pitboss-grills.com

ÍNDICE

Información de seguridad	58
Partes y especificaciones	62
Preparación del ensamblaje	63
Instrucciones de ensamblaje	
Montaje de las patas en el barril principal.....	63
Instalación de la repisa inferior.....	64
Agregar ruedas al carro.....	64
Instalación de la manija de la tapa	64
Ensamblaje de la repisa lateral	65
Colocación de la repisa lateral	65
Colocación de la chimenea.....	65
Instalación de los soportes de la repisa frontal	66
Colocación de la repisa frontal.....	66
Colocación de la placa difusora.....	66
Instalación de los componentes del asador de llamas	67
Instalación de los componentes para cocinar	68
Montaje de la percha para rack	68
Colocación de la cubeta de grasa.....	68
Instalación del cable de alimentación	69
Conexión a una fuente de alimentación eléctrica.....	69
Instrucciones de operación	
Entorno del asador.....	70
Rangos de temperaturas del asado	71
Explicación del tablero de control.....	72
Funciones del tablero de control	73
Conectarse a la aplicación Smoke iT®	75
Procedimiento de preparación de la tolva	76
Primer uso - Quemado del asador	76
Procedimiento de arranque automático.....	76
Cómo apagar su asador	76
Cuidado y mantenimiento	76
Consejos y técnicas.....	78
Solución de problemas	79
Diagrama de cableado eléctrico.....	82
Refacciones	
Refacciones para el asador	83
Refacciones para la tolva.....	84
Garantía.....	85

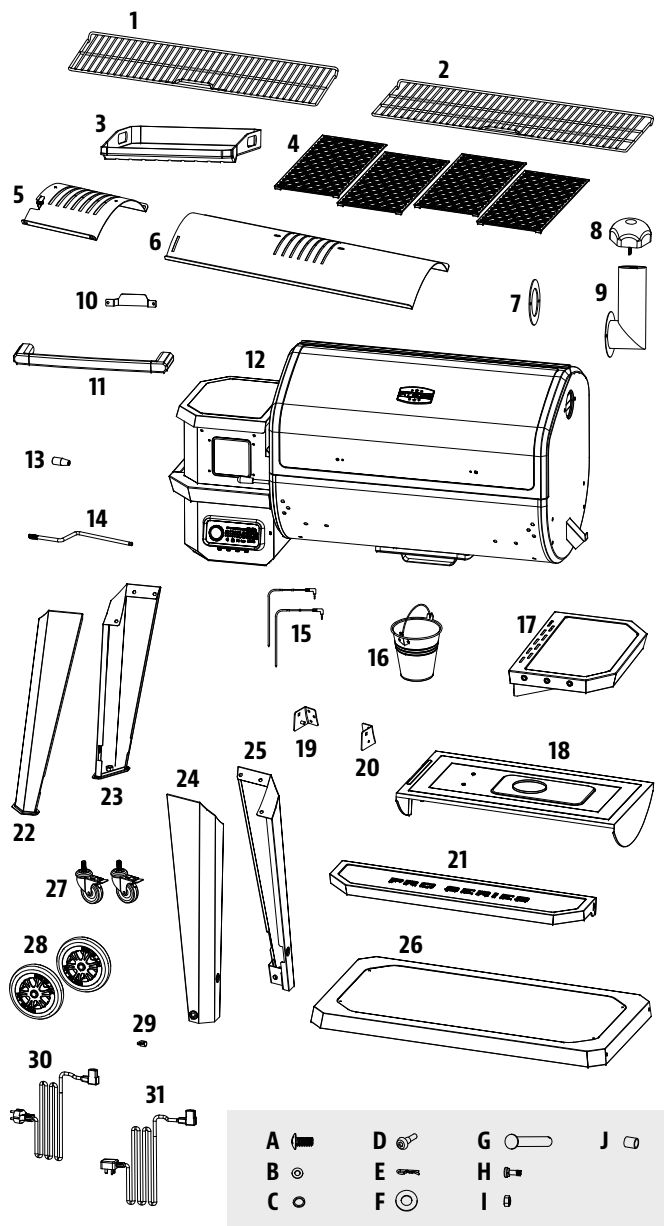
ES

ESPAÑOL

PARTES Y ESPECIFICACIONES

ES
ESPAÑOL

Nº	Descripción
1	Parrilla superior para cocinar (x1)
2	Parrilla media para cocinar (x1)
3	Plancha (x1)
4	Rejillas para cocinar (x4)
5	Cubierta deslizante de la rejilla de flama (x1)
6	Placa principal de rejilla de flama (x1)
7	Empaque de la chimenea (x1)
8	Tapa de la chimenea (x1)
9	Cañón de la chimenea (x1)
10	Percha de rack (x1)
11	Asa de la tapa (x1)
12	Barril principal/Conjunto de tolva (x1)
13	Manija de la barra de ajuste de la rejilla de flama (x1)
14	Barra de ajuste de la rejilla de flama (x1)
15	Sensore para carne (x2)
16	Cubeta de grasa (x1)
17	Repisa lateral (x1)
18	Placa difusora (x1)
19	Soporte de la repisa frontal / izquierda (x1)
20	Soporte de la repisa frontal / derecho (x1)
21	Repisa frontal (x1)
22	Pata de soporte izquierda - Delantera (x1)
23	Pata de soporte izquierda - Espalda (x1)
24	Pata de soporte derecha - Delantera (x1)
25	Pata de soporte derecha - Espalda (x1)
26	Repisa inferior (x1)
27	Rueda pivotante de cierre (x2)
28	Rueda (x2)
29	Clip para cable de alimentación (x1)
30	Cable de alimentación: enchufe F (x1)
31	Cable de alimentación: enchufe G (x1)
A	Tornillos (x28)
B	Arandelas (x24)
C	Arandelas de seguridad (x22)
D	Ganchos para implementos (x3)
E	Chavetas de rueda (x2)
F	Arandelas de eje de rueda (x2)
G	Clavijas de eje de rueda (x2)
H	Tornillos (x2)
I	Tuercas (x2)
J	Casquillos (x2)



NOTA: Debido a que los productos están en desarrollo constante, las partes están sujetas a cambios sin previo aviso. Llame a Servicio al Cliente si le faltan partes al ensamblar la unidad.

PB – REQUISITOS DE ALIMENTACIÓN ELÉCTRICA
220-240 V, 50 HZ, 275 W, ENCHUFE CON CONEXIÓN A TIERRA

MODELO	ENSAMBLADA (An. x Prof. x Al.)	PESO	ÁREA PARA COCINAR	RANGO DE TEMPERATURAS
PB PB1600P51	1587,5 MM x 813,5 MM x 1400 MM 62,50 PU x 32,03 PU x 55,12 PU	110,0 KG / 242,5 LB	PARRILLA SUPERIOR - 2 474,8 CM ² / 383,6 PU ² MEDIA - 3 249,6 CM ² / 503,7 PU ² PRINCIPAL - 4 587,1 CM ² / 711,0 PU ² TOTAL - 10 311,5 CM ² / 1 598,3 PU ²	82-260°C / 180-500°F

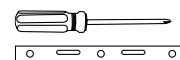
PREPARACIÓN DEL ENSAMBLAJE

Hay partes ubicadas en toda la caja de embarque, incluso debajo del asador. Inspeccione el asador, las partes y el paquete de accesorios antes de sacarlos de la caja de embarque. Deseche todos los materiales de embalaje desde el interior y el exterior de la parrilla antes del ensamblaje, luego revise e compárelas con la lista de referencia. Si hay partes faltantes o dañadas, no intente ensamblar el producto. Los daños por transporte no están cubiertos por la garantía. Comuníquese con su distribuidor o con Servicio al Cliente de Pit Boss® para solicitar partes.

www.pitboss-grills.com

IMPORTANTE: Para facilitar la instalación, es útil (pero no necesario) contar con dos personas para ensamblar esta unidad.

Herramientas requeridas para el ensamblaje: destornillador y nivel. *Las herramientas no están incluidas.*



INSTRUCCIONES DE ENSAMBLAJE

IMPORTANTE: Se recomienda leer cada paso en su totalidad antes de comenzar el ensamblaje. No apriete por completo los tornillos hasta que haya colocado todos los tornillos de ese paso. Las combinaciones de accesorios que incluyan una arandela de seguridad y una arandela deben instalarse con la arandela de seguridad más cerca de la cabeza del tornillo.

1. MONTAJE DE LAS PATAS EN EL BARRIL PRINCIPAL

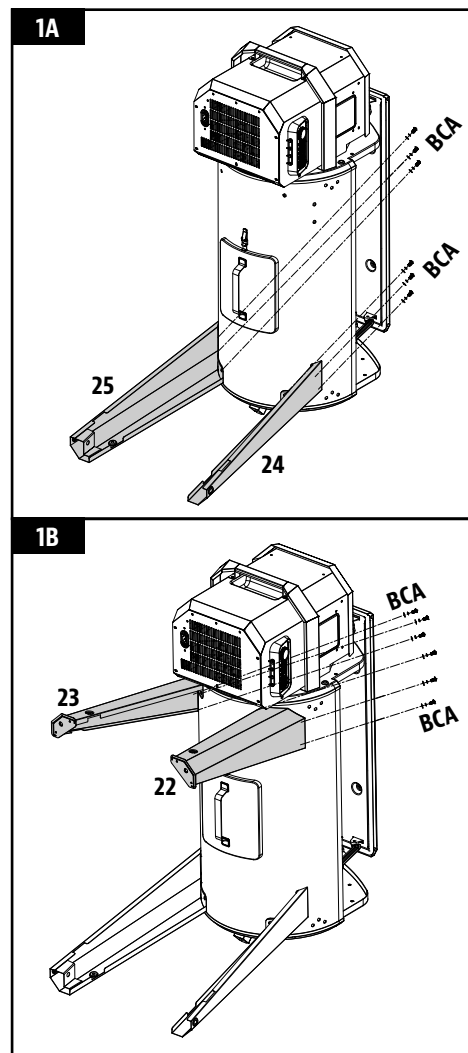
Partes requeridas:

- 1 x Barril principal/Conjunto de tolva (#12)
- 1 x Pata de soporte izquierda - Delantera (#22)
- 1 x Pata de soporte izquierda - Espalda (#23)
- 1 x Pata de soporte derecha - Delantera (#24)
- 1 x Pata de soporte derecha - Espalda (#25)
- 12 x Tornillos (#A)
- 12 x Arandelas (#B)
- 12 x Arandelas de seguridad (#C)

Instalación:

- Coloque un pedazo de cartón en el piso para evitar rayar la unidad y las piezas durante el montaje. Coloque el barril principal de lado sobre el cartón, con el extremo de la tolva apuntando hacia arriba.
- Monte la pata de soporte delantera derecha en el extremo del piso del barril principal con tres tornillos, arandelas de seguridad y arandelas, a través de los tres orificios pretaladrados. Instale tornillos desde el interior del barril principal. Repita la instalación para la pata de soporte trasera derecha. Observe la ilustración 1A.
- Luego, monte la pata de soporte delantera izquierda en el extremo de la tolva del barril principal con tres tornillos, arandelas de seguridad y arandelas, a través de los tres orificios pretaladrados. Instale tornillos desde el interior del barril principal. Repita la instalación para la pata de soporte trasera izquierda. Nota ilustración 1B.

IMPORTANTE: No apriete los tornillos por completo hasta que se instale el estante inferior en el siguiente paso.



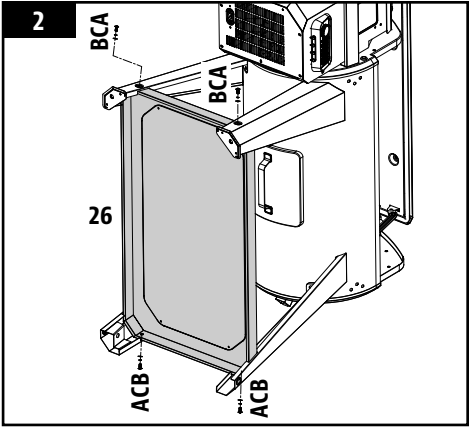
2. INSTALACIÓN DE LA REPISA INFERIOR

Partes requeridas:

- 1 x Repisa inferior (#26)
- 4 x Tornillos (#A)
- 4 x Arandelas de seguridad (#C)
- 4 x Arandelas (#B)

Instalación:

- Desde abajo, sujete la repisa inferior a cada pata utilizando un tornillo, arandela de seguridad y arandela. Asegúrese de que la superficie plana de la repisa voltee hacia arriba.



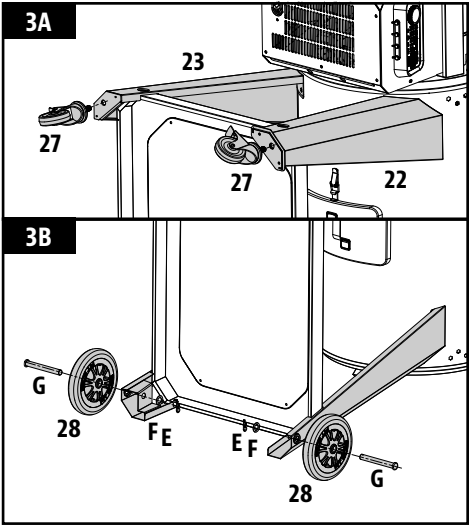
3. AGREGAR RUEDAS AL CARRO

Partes requeridas:

- 2 x Rueda pivotante de cierre (#27)
- 2 x Rueda (#28)
- 2 x Chavetas de rueda (#E)
- 2 x Arandelas de eje de rueda (#F)
- 2 x Clavijas de eje de rueda (#G)

Instalación:

- Inserte cada rueda de bloqueo en la parte inferior de cada pata de soporte izquierda apretándola manualmente en el orificio. Asegúrese de que cada rueda de bloqueo esté insertada por completo. Nota ilustración 3A.
- Conecte cada rueda a cada pata de soporte derecha insertando el pasador del eje de la rueda a través de la rueda, el orificio de la pata de soporte, la arandela de la rueda, luego asegúrelo con el pasador de chaveta. Nota ilustración 3B.
- Una vez que el estante esté seguro, levante cuidadosamente la parrilla en posición vertical.



IMPORTANTE: vuelva a apretar los tornillos de las patas de apoyo para asegurarse de que estén completamente seguros después de colocar la parrilla en posición vertical.

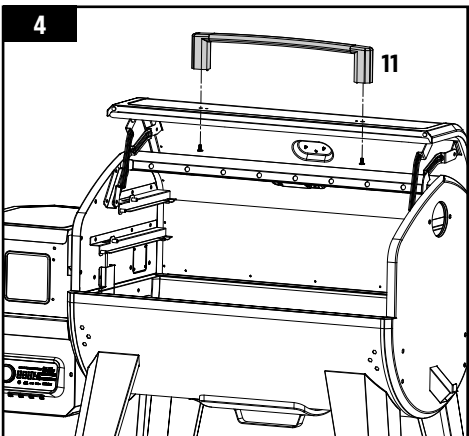
4. INSTALACIÓN DEL ASA DE LA TAPA

Partes requeridas:

- 1 x Asa de la tapa (#11)

Instalación:

- Quite los tornillos ya instalados en la manija de la tapa. Desde el interior de la tapa del barril, inserte un tornillo para que sobresalga hacia el exterior. Coloque un bisel en el tornillo, y luego apriete el tornillo a mano (desde el interior) en la manija de la tapa. Repita el procedimiento para el otro extremo de la manija.



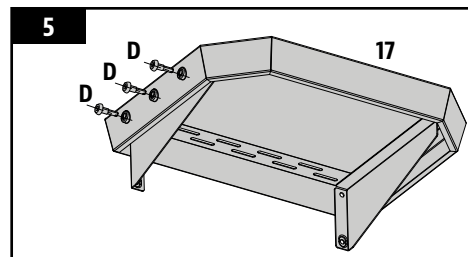
5. ENSAMBLAJE DE LA REPISA LATERAL

Partes requeridas:

- 1 x Repisa lateral (#17)
- 3 x Ganchos para implementos (#D)

Instalación:

- Voltee al revés la repisa lateral. En el borde de la repisa lateral que tiene tres orificios, instale los ganchos para implementos en cada orificio a lo largo del borde. Los ganchos para implementos se sujetarán a la tuerca empotrada que viene montada en el interior.



6. COLOCACIÓN DE LA REPISA LATERAL

Partes requeridas:

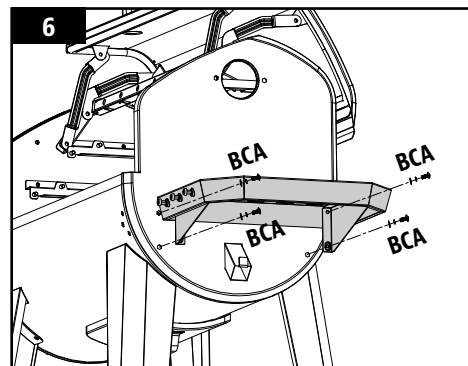
- 4 x Tornillos (#A)
- 4 x Arandelas de seguridad (#C)
- 4 x Arandelas (#B)

Instalación:

- Desde abajo, apriete la repisa lateral en el panel lateral del barril principal con los cuatro tornillos, las arandelas de seguridad y las arandelas.

NOTA: No apriete por completo los tornillos hasta que hayan colocado todos los tornillos. Una vez que coloque todos los tornillos, apriételes bien.

IMPORTANTE: No use las repisas para mover o levantar el asador. El peso de la unidad hará que las repisas se doblen o se rompan, y estos daños no están cubiertos por la garantía.



7. COLOCACIÓN DE LA CHIMENEA

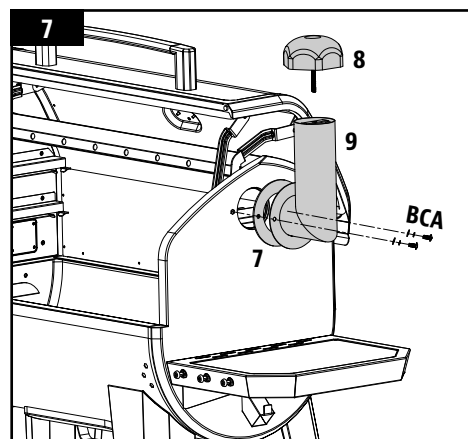
Partes requeridas:

- 1 x Tapa de la chimenea (#7)
- 1 x Cañón de la chimenea (#8)
- 1 x Empaque de la chimenea (#9)
- 2 x Tornillos (#A)
- 2 x Arandelas de seguridad (#C)
- 2 x Arandelas (#B)

Instalación:

- Encuentre la abertura de la chimenea en el costado del barril principal. Desde el exterior, sujete la chimenea y el empaque de la chimenea al panel lateral con dos tornillos, arandelas de seguridad y arandelas. El tornillo se sujetará a la tuerca ya montada en el interior del barril.
- Después, coloque la tapa de la chimenea a la parte superior del cañón de la chimenea girando el tornillo de la tapa de la chimenea en el cañón de la chimenea.

NOTA: Ajuste la tapa de la chimenea para modificar el flujo de aire dentro del asador. Si cocina a baja temperatura, mantenga la tapa más abierta. Asegúrese de que la tapa de la chimenea permita que escape el aire.



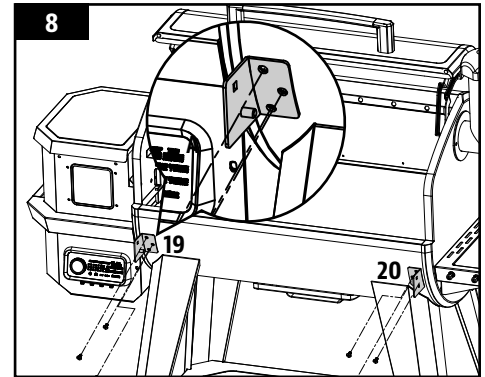
8. INSTALACIÓN DE LOS SOPORTES DE LA REPISA FRONTAL

Partes requeridas:

- 1 x Soportes de la repisa frontal / Izquierda (#19)
- 1 x Soportes de la repisa frontal / Derecho (#20)
- 6 x Tornillos (#A)

Instalación:

- Conecte un soporte de la repisa frontal a la parte delantera del barril del asador usando tres tornillos. Coloque los tornillos parcialmente y luego apriételos por completo cuando todos los tornillos estén colocados y alineados correctamente.
- Repita la misma instalación para el otro soporte de la repisa frontal.



9. COLOCACIÓN DE LA REPISA FRONTAL

Partes requeridas:

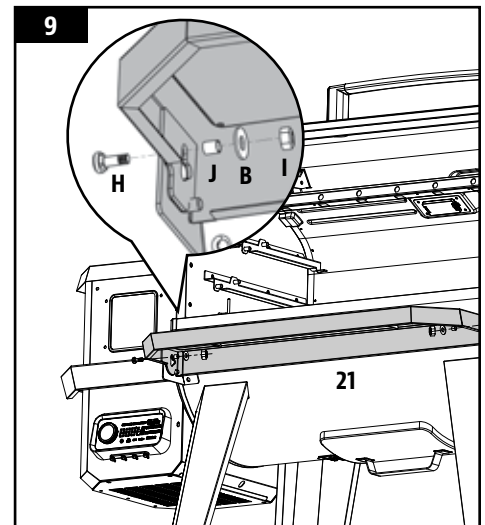
- 1 x Repisa frontal (#21)
- 2 x Arandelas (#B)
- 2 x Tornillos (#H)
- 2 x Tuercas (#I)
- 2 x Casquillos (#J)

Instalación:

- Desde abajo, inserte el tornillo (desde afuera) en el soporte de la repisa frontal y en la repisa frontal, luego coloque el casquillo en el tornillo, la arandela y la tuerca. Repita la instalación con el otro lado de la repisa frontal.

NOTA: Una vez instalado correctamente, la repisa frontal se puede levantar (para su uso) y bajar (para almacenar) con facilidad.

IMPORTANTE: No use las repisas para mover o levantar el asador. El peso de la unidad hará que las repisas se doblen o se rompan, y estos daños no están cubiertos por la garantía.



10. COLOCACIÓN DE LA PLACA DIFUSORA

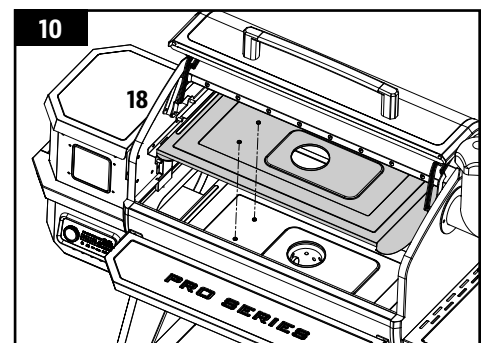
Partes requeridas:

- 1 x Placa difusora (#18)

Instalación:

- Coloque la placa difusora en el tambor principal de tal manera que la apertura central quede alineada directamente con la cámara de ignición circular en la base del tambor principal.

NOTA: No es necesario atornillar la placa difusora.



11. INSTALACIÓN DE LOS COMPONENTES DEL ASADOR DE LLAMAS

Partes requeridas:

- 1 x Cubierta deslizante de la rejilla de flama (#5)
- 1 x Placa principal de rejilla de flama (#6)
- 1 x Manija de la barra de ajuste de la rejilla de flama (#13)
- 1 x Barra de ajuste de la rejilla de flama (#14)

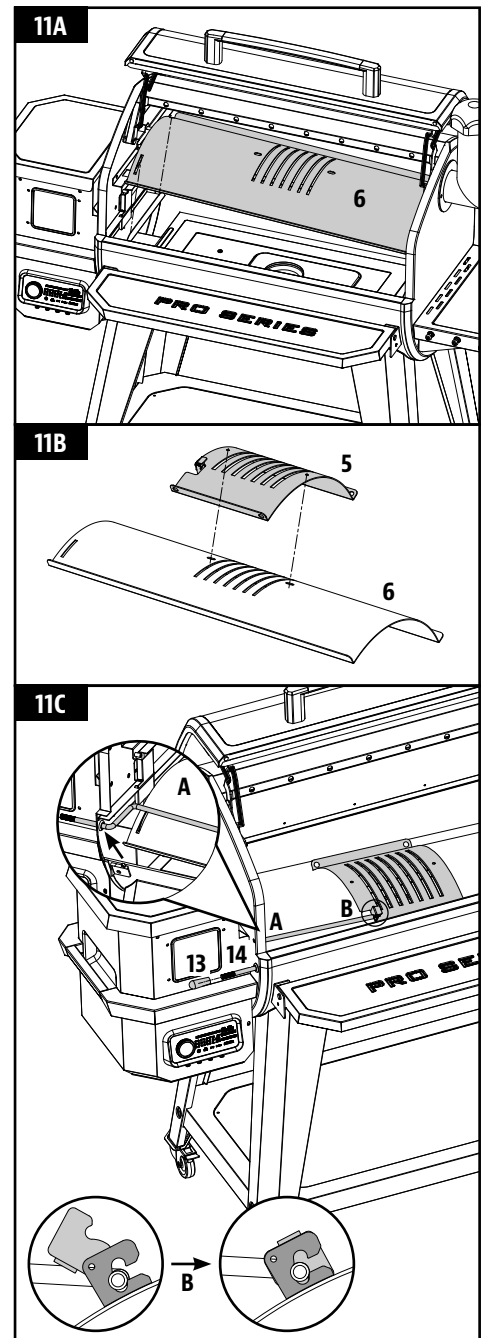
Instalación:

- Inserte la placa principal de la rejilla de flama en el asador principal. Apoye la placa principal de la rejilla de flama sobre el borde integrado (en la parte interior derecha) del asador principal, que dirige la grasa hacia la cubeta. Deslice toda la pieza hacia el lado izquierdo, y las dos ranuras en la placa principal de la rejilla de flama encajarán en el borde redondeado encima de la cámara de combustión. Quedará ligeramente inclinada. Consulte la ilustración 11A.

IMPORTANTE: Si la placa principal se apoya en la base del tambor, es que está mal instalada. La placa principal del asador de fuego se utiliza para distribuir el calor de forma uniforme. Una mala instalación de esta pieza puede provocar daños en el tambor principal de la parrilla.

- Coloque la cubierta deslizante de la rejilla de flama encima de la placa principal de la rejilla de flama, cubriendo las aberturas de ranura. Asegúrese de que la lengüeta elevada esté al lado izquierdo, para ajustar con facilidad la parrilla a fuego directo o indirecto mientras cocina. Consulte la ilustración 11B. Ambas partes de la rejilla de flama tienen una ligera capa de aceite para evitar la oxidación durante el transporte.
- Primero, retire la manija de la barra de ajuste de la rejilla de flama de la barra de ajuste de la rejilla de flama. Inserte la barra de ajuste de la rejilla de flama a través del orificio de apertura en el lado izquierdo del barril principal. Agregue el manija de la barra de ajuste de la rejilla de flama al extremo exterior del barril. A continuación, deslice el extremo con muesca de la barra de ajuste dentro de la pestaña de bloqueo en el control deslizante del asador de llama, dándole acceso ajustable al cubierta deslizante del asador de llama en la placa principal de rejilla de flama. Observe los pasos en 11C.

NOTA: Cuando la cubierta deslizante está abierta y se usa fuego directo para cocinar, no deje el asador sin atención en ningún momento.



12. INSTALACIÓN DE LOS COMPONENTES PARA COCINAR

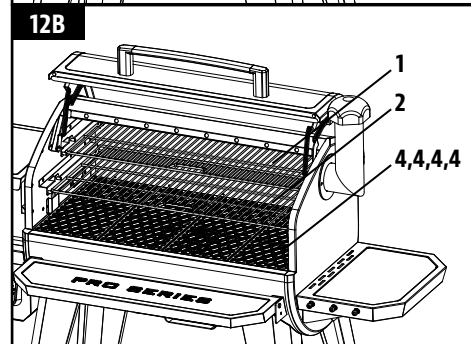
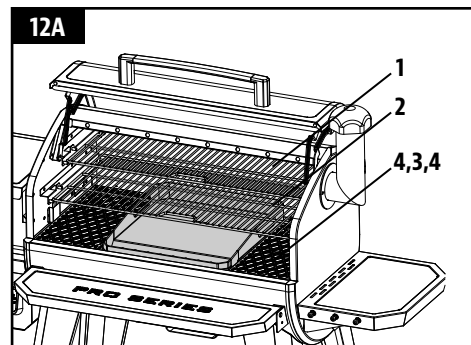
Partes requeridas:

- 1 x Parrilla superior para cocinar (#1)
- 1 x Parrilla media para cocinar (#2)
- 1 x Plancha (#3)
- 4 x Rejillas para cocinar (#4)

Instalación:

- Elija una superficie de cocción principal deseada: dos rejillas de cocción con la plancha (mostradas en 12A) o cuatro rejillas de cocción (mostradas en 12B). Coloque la combinación elegida de superficie de cocción en las repisas de la rejilla inferior dentro de la parrilla principal.
- A continuación, coloque la parrilla de cocción intermedia en las repisas intermedias dentro de la parrilla principal. Coloque la parrilla superior de cocción en las repisas superiores dentro de la parrilla principal.

IMPORTANTE: Para mantener el óptimo desempeño en sus parrillas de cocción, es necesario darles cuidado y mantenimiento con regularidad.



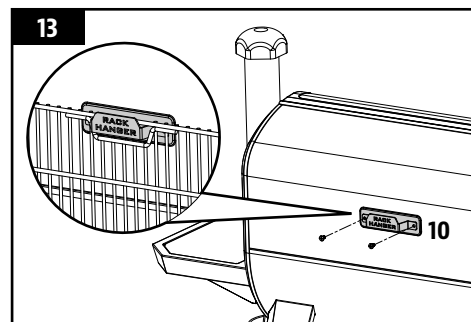
13. MONTAJE DE LA PERCHA DE RACK

Partes requeridas:

- 1 x Percha de rack (#10)

Instalación:

- Asegure el soporte de la rejilla al panel posterior del barril principal con los dos tornillos premontados. Las rejillas de cocción se pueden colgar en el colgador de rejillas mientras no se utilizan.



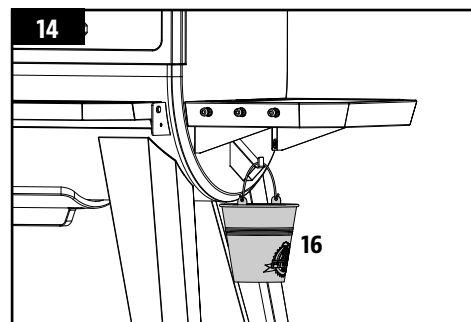
14. COLOCACIÓN DE LA CUBETA DE GRASA

Partes requeridas:

- 1 x Cubeta de grasa (#16)

Instalación:

- Coloque la cubeta de grasa en el gancho que está en el extremo del barril principal. Asegúrese de que está nivelada para evitar que se derrame la grasa.
- La unidad ya está completamente ensamblada.



15. INSTALACIÓN DEL CABLE DE ALIMENTACIÓN

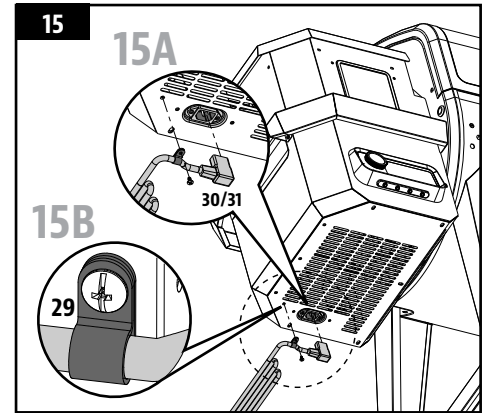
NOTA: Se suministran dos cables de alimentación. Seleccione el cable de alimentación que se requiere para su región.

Piezas necesarias:

- 1 x Clip para cable de alimentación (#29)
- 1 x Cable de alimentación (#30 o #31)

Instalación:

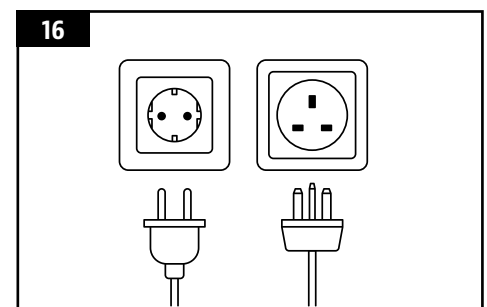
- Coloque el clip del cable de alimentación en el cable de alimentación. Luego, inserte el cable de alimentación en la ranura en la parte inferior de la unidad. Nota 15A.
- Asegure el clip de alimentación al panel trasero con el tornillo preinstalado debajo del respiradero. Nota 15B.



16. CONEXIÓN A UNA FUENTE DE ALIMENTACIÓN

- **TOMA ESTÁNDAR**
Este aparato requiere un suministro de 220-240 V, 50 Hz, 275 W. El enchufe debe ser con conexión a tierra. Asegúrese de que el extremo con puesta a tierra no esté roto antes de usarlo. El control usa un fusible rápido y 220-240 V para proteger el tablero del sistema de ignición.

IMPORTANTE: desconecte la unidad de la fuente de alimentación cuando no esté en uso.



INSTRUCCIONES DE OPERACIÓN

Con el estilo de vida moderno en el que nos esforzamos para comer alimentos saludables y nutritivos, un factor a considerar es la importancia de reducir la ingesta de grasas. Una de las mejores maneras de reducir la grasa de su dieta es utilizar un método de cocción bajo en grasas, como el asado. Dado que un asador de pellets usa pellets de madera natural, el sabor de la madera se integra a las carnes, lo que reduce la necesidad de usar salsas con alto contenido de azúcares. A lo largo de este manual notará un énfasis en asar la comida lentamente, a temperaturas BAJAS o MEDIAS.

ENTORNO DEL ASADOR

1. EN DÓNDE COLOCAR EL ASADOR

Con todos los aparatos para exteriores, las condiciones climatológicas externas tendrán un papel importante en el desempeño de su asador y en los tiempos de cocción necesarios para perfeccionar sus comidas.

Todas las unidades Pit Boss® requieren un espacio libre mínimo de 914mm (36 pulg.) de separación de materiales combustibles, y este espacio debe mantenerse todo el tiempo que se use el asador. Este aparato no debe colocarse bajo un techo o saliente de material combustible. Mantenga su asador en un área libre de materiales combustibles, gasolina y otros vapores y líquidos inflamables.

2. COCINA EN CLIMAS FRÍOS

Conforme la temperatura exterior se vuelva más fría, ¡no significa que la temporada de asar se ha terminado! El aire fresco y delicioso aroma de la comida ahumada ayudará a curar la depresión invernal.

Aproveche estas sugerencias para disfrutar de su asador durante los meses fríos:

- Si no es posible ahumar a bajas temperaturas, aumente ligeramente la temperatura para lograr el mismo resultado.
- Organícese – Prepare todo lo que necesitará en la cocina antes de salir al exterior. Durante el invierno, mueva su asador a un área que esté a cubierto del viento y el frío directo. Revise las ordenanzas locales sobre la proximidad del asador a su hogar y/o a otras estructuras. Ponga todo lo que necesita en una bandeja, ¡abráguese bien y hágalo!
- Para ayudarle a tener presente la temperatura exterior, coloque un termómetro para exteriores cerca del área en la que cocina. Lleve una bitácora o diario de lo que cocinó, la temperatura exterior y el tiempo de cocido. Esto le ayudará en el futuro para determinar qué cocinar y cuánto se tardará.
- En clima muy frío, aumente su tiempo de precalentado al menos 20 minutos.
- Trate de no levantar la tapa más de lo necesario. Las rachas de viento frío podrían enfriar completamente la temperatura de su asador. Sea flexible con su tiempo para servir; añadir minutos adicionales al tiempo de cocción cada vez que abra la tapa.
- Tenga un hornillo y o una cubierta listos para mantener su comida caliente mientras la lleva al interior.
- Los alimentos ideales para cocinar en invierno son los que requieren poca atención, como asados, pollos enteros, costillas y pavos. Facilite aún más la preparación de sus comidas añadiendo elementos simples, como verduras y papas.

3. COCINA EN CLIMAS CALIENTES

Conforme esté más caliente en el exterior, el tiempo de cocción se reducirá.

Siga estas sugerencias para disfrutar de su asador durante los meses cálidos:

- Ajuste sus temperaturas de cocción a la baja. Esto ayuda a evitar las llamaradas indeseables.
- Use un termómetro de carnes para determinar la temperatura interna de sus comidas. Esto ayuda a evitar que su carne se cocine demasiado y se seque.
- Incluso en climas cálidos, es mejor cocinar con la tapa del asador abajo.
- Puede mantener las comidas calientes envolviéndolas en papel aluminio y colocándolas en un recipiente con aislamiento térmico. Coloque bolas de papel periódico alrededor del papel aluminio y mantendrá la comida caliente de 3 a 4 horas.

RANGOS DE TEMPERATURAS DEL ASADOR

Las lecturas de temperatura en el tablero de control podrían no coincidir exactamente con las del termómetro. Todas las temperaturas mencionadas abajo son aproximadas y se ven afectadas por los siguientes factores: temperatura ambiente en el exterior, cantidad y dirección del viento, calidad de los pellets que se utilizan, si la tapa está abierta, y la cantidad de comida que se está preparando.

- *TEMPERATURAS ALTAS (205-260°C / 401-500°F)*

Este rango es útil para marcar la carne y asar con calor alto. Use en conjunto con la rejilla de flama para cocinar a fuego directo o indirecto. Con **la rejilla de flama abierta**, se usa fuego directo para crear esos bistecs "azules", así como verduras cocinadas ligeramente, pan de ajo tostado, ¡o bombones! Cuando **la rejilla de flama está cerrada**, el aire circula alrededor del barril, generando calor de convección. Las temperaturas altas también se usan para precalentar su asador, limpiar las parrillas de cocción con calor, y para lograr un calor elevado en condiciones de clima extremadamente frío.

- *TEMPERATURAS MEDIAS (135-180°C / 275-356°F)*

Este rango es mejor para hornear, cocer y terminar esa creación ahumada lentamente. Cocinar a estas temperaturas reducirá en gran medida las probabilidades de una llamarada de grasa. Asegúrese de que la cubierta deslizante de la rejilla de flama esté en la posición cerrada, cubriendo las aberturas. Este es un rango excelente para cocinar cualquier cosa que esté envuelta en tocino, o cuando quiera versatilidad en el control.

- *TEMPERATURAS BAJAS (82-125°C / 180-257°F)*

Este rango se usa para asar lento, aumentar el sabor del ahumando y mantener caliente la comida. Infunda más sabor ahumado y mantenga la carne jugosa al cocinarla más tiempo a una temperatura más baja (esto también se conoce como **bajo y lento**). Muy recomendable para el pavo de Acción de Gracias, un jugoso jamón para la Pascua, o un enorme banquete para las fiestas.

El ahumado es una variación del asado, y es la principal ventaja de cocinar en un asador de pellets de madera. El **ahumado caliente**, que es otro nombre para cocinar "**bajo y lento**", generalmente se hace a 82-125 °C / 180-257 °F. El ahumado caliente funciona mejor cuando se necesita un tiempo de cocción más largo, como para cortes de carne, pescados o aves grandes.

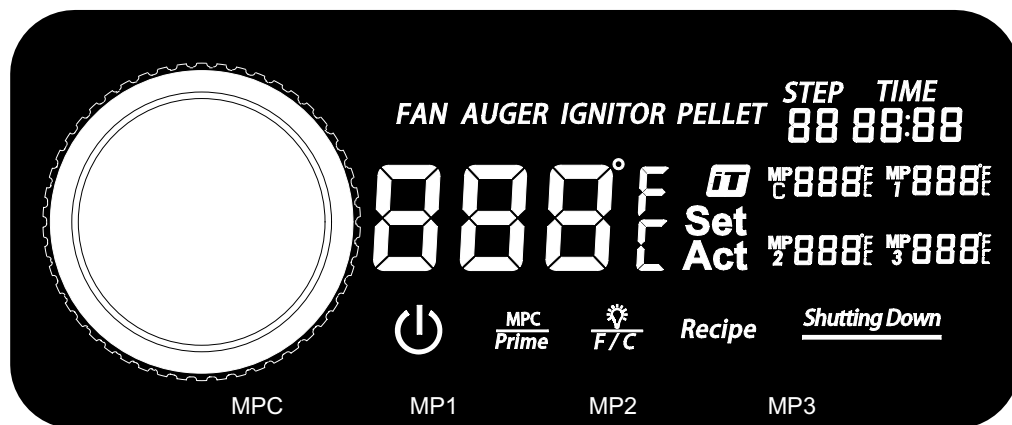
CONSEJO: Para un sabor más intenso, cambie al rango de temperatura de ahumado (bajo) inmediatamente después de poner su comida en el asador. Esto permite que el humo penetre en las carnes.





La clave está en experimentar con el tiempo que deja ahumar antes de que la comida termine de prepararse. Algunos chefs de exteriores prefiere ahumar al terminar de cocinar, lo que permite mantener la comida caliente hasta que está lista para servirse. ¡La práctica hace al maestro!

EXPLICACIÓN DEL TABLERO DE CONTROL

Este tablero de control PID (proporcional-integrado-derivado) digital es prácticamente igual que los controles del horno de su cocina. Las principales ventajas son la capacidad de compensar automáticamente las diferentes condiciones ambientales y tipos de combustible.

IMPORTANTE: La temperatura del interior de cualquier parrilla varía mucho de una ubicación a otra. Incluso los instrumentos calibrados juntos pueden no concordar entre sí.



MANDO	DESCRIPCIÓN
	Presione este botón una vez para encender la unidad. Esto comenzará el ciclo de arranque automático. Mantenga presionado este botón durante tres segundos para apagar la unidad y activar el ciclo de enfriamiento automático. El botón se iluminará en blanco fijo cuando esté conectado a una fuente de alimentación y cuando la unidad esté encendida.
	El ícono Smoke iT® indica una conectividad con Wi-Fi. Al buscar una conexión por Wi-Fi o Bluetooth®, el ícono Smoke iT® parpadeará. Una vez que se ha establecido una conexión Wi-Fi, el ícono Smoke iT® permanecerá sólido. Cuando esté conectado, obtenga actualizaciones en vivo sobre las temperaturas reales y establecidas de la parrilla, el tiempo de cocción y las temperaturas de la sonda de carne. También le permite ajustar la configuración de su tablero de control.
	Este botón tiene dos funciones: Interruptor de unidades de temperatura y Luz. <ol style="list-style-type: none"> 1. Pulsa rápidamente este botón para encender y apagar la luz dentro del barril de la parrilla. 2. Mantenga pulsado este botón durante tres segundos para activar el interruptor de unidades de temperatura y cambiar la lectura de temperatura. Cambie entre Celsius (°C) y Fahrenheit (°F), según prefiera. El valor predeterminado es Celsius.
	Este botón tiene dos funciones: control de la sonda para carne (MPC) y el botón de cebado. <ol style="list-style-type: none"> 1. La pulsación rápida de este botón activa la sonda de carne programable, que es el primer puerto de complemento de sonda de carne (MPC). Use la perilla del controlador para configurar la temperatura de la sonda de carne programable. Presione la perilla del controlador nuevamente para confirmar y salir de la configuración de la sonda de carne programable. 2. Mantenga presionado este botón durante tres segundos para activar una alimentación manual continua de gránulos a la olla de fuego. Al soltar el botón, se detendrá la alimentación manual de pellets. Esto se puede usar para agregar más combustible al fuego antes de abrir la tapa del barril, lo que resulta en una recuperación rápida del calor. También se puede usar mientras se fuma, para aumentar la intensidad del sabor a humo limpio. Esta característica fue solicitada a las cocinas de competencia.



La perilla del controlador se usa para aumentar, disminuir y seleccionar un valor de ajuste. Gire la perilla del controlador para seleccionar el tiempo, la temperatura o el paso en un menú de configuración activa. Presione la perilla del controlador para confirmar el valor elegido.



La lectura central muestra las temperaturas reales y establecidas. La temperatura real se muestra constantemente a menos que se ajuste la temperatura establecida. La temperatura real es la temperatura del interior del barril principal. La sonda de la parrilla (sensor) toma la lectura de la temperatura real desde el interior del barril de la parrilla.

Para mostrar la temperatura establecida, presione la perilla del controlador. La temperatura establecida está activa cuando la lectura parpadea. Para ajustar la temperatura establecida, gire la perilla del controlador, según sea necesario. Una vez que se alcanza la temperatura deseada, presione la perilla del controlador para confirmar la temperatura establecida, luego la lectura volverá a la temperatura real.

Recipe

Presione el botón una vez para activar los Pasos de receta. Hay nueve pasos de receta disponibles para configurar. Ajuste la configuración de cada paso de receta utilizando la perilla del controlador.



Muestra el paso de receta actual.



Muestra el tiempo establecido durante el paso de receta. Pulse el botón Receta para activar los ajustes de receta. Use el botón regulador para ir cambiando de un paso de receta a otro, donde el uno es el tiempo.



Muestra la temperatura Real y Establecida de la sonda de carne programable, es decir, a través del primer puerto de conexión de la sonda de carne (MPC). La temperatura real se muestra constantemente a no ser que se esté ajustando la temperatura. Cuando se presiona el botón MPC, la lectura de la sonda de carne seleccionada parpadeará y se podrá ajustar la temperatura establecida. Cuando no vaya a utilizarla, desconecte la sonda de carne del puerto de conexión. Tras esto, aparecerá el código "noP". Compatible solamente con sondas de carne de la marca Pit Boss® Grills.



Muestra la temperatura real de la sonda de carne. Esta lectura de la sonda de carne es la registrada a través del puerto de conexión (MP). Cuando no vaya a utilizarla, desconecte la sonda de carne del puerto de conexión. Tras esto, aparecerá el código "noP". Compatible solamente con sondas de carne de la marca Pit Boss® Grills.

Shutting Down

Esta lectura se muestra después de que se ha seleccionado Apagar. Indica que el ciclo de enfriamiento automático ha comenzado. Una vez que se completa el ciclo de enfriamiento, la lectura ya no será visible.

FAN

El icono del VENTILADOR está visible cuando el ventilador está funcionando. Cuando el icono del VENTILADOR parpadea, significará que el ventilador no está funcionando. Consulte la sección sobre resolución de problemas para obtener ayuda.

AUGER

El icono del ALIMENTADOR DE ESPIRAL está visible cuando el alimentador está girando. Cuando el icono del ALIMENTADOR DE ESPIRAL parpadea, significará que el alimentador no está funcionando. Consulte la sección sobre resolución de problemas para obtener ayuda.

IGNITOR

El icono del ENCENDEDOR está visible cuando el encendedor está funcionando. Cuando el icono del ENCENDEDOR parpadea, significará que el encendedor no está funcionando. Consulte la sección sobre resolución de problemas para obtener ayuda.

PELLET

Cuando el icono del PÉLET es visible, significará que el fuego de la cámara de ignición se ha apagado o que es posible que la tolva esté vacía. Consulte la sección sobre resolución de problemas para obtener ayuda.

FUNCIONES DEL TABLERO DE CONTROL

• AJUSTE DE LA TEMPERATURA DE LA PARRILLA

La sonda de la parrilla mide la temperatura interna del barril principal. Cuando se ajusta la temperatura establecida, la sonda de la parrilla leerá la temperatura real dentro del barril principal y se ajustará a la temperatura deseada.

IMPORTANTE: la temperatura de su unidad depende en gran medida del clima ambiental exterior, la calidad de los gránulos utilizados, el sabor de los gránulos y la cantidad de alimentos que se cocinan.

AJUSTE / AJUSTE DE LA TEMPERATURA ESTABLECIDA

Para ajustar la temperatura deseada de la parrilla, siga los pasos a continuación:

1. Presione la perilla del controlador. Esto hará que la lectura de temperatura establecida parpadee, para mostrar que está activa.
2. Use la perilla del controlador nuevamente para ajustarla a la temperatura deseada.
3. Una vez que se alcanza la temperatura deseada, presione la perilla del controlador para confirmar la temperatura establecida, luego la lectura volverá a la temperatura real.

• USO DE LA SONDA DE CARNE PROGRAMABLE

La sonda de carne mide la temperatura interna de la carne en la barbacoa, similar a un horno interior. Enchufe el adaptador de la sonda de carne en el puerto de conexión de la sonda de carne en el Tablero de control e inserte la sonda de carne de acero inoxidable en la parte más gruesa de la carne, y en el tablero de control aparecerá la temperatura. Para garantizar la conexión correcta de la sonda de carne con el puerto de conexión, deberá sentir y oír su enganche. No solo cocinará la carne a la temperatura deseada, sino que reducirá automáticamente la temperatura de la parrilla a un nivel bajo (82 °C / 180 °F) para mantener la comida caliente hasta que esté lista para servir. ¡Simplemente configúrelo, luego relájese mientras el Meat Probe hace el resto!

NOTA: cuando inserte la sonda de carne en la carne, asegúrese de que la sonda y sus cables no estén en contacto directo con el fuego o un calor excesivo. Esto podría dañar la sonda de carne. Tire del cable sobrante hacia fuera por el orificio situado en el lateral izquierdo de la barbacoa principal o en la parte superior de la barbacoa principal (junto a la bisagra de la tapa de la barbacoa). Cuando no se use, desconéctela del puerto de conexión de la sonda de carne y consérvela aparte para mantenerla protegida y limpia.

AJUSTE / AJUSTE DE LA SONDA DE CARNE PROGRAMABLE

Para programar la temperatura deseada establecida de la sonda de carne programable, siga los pasos a continuación:

1. Presione rápidamente el botón MPC para activar la sonda de carne programable. Cuando está activo, la lectura de temperatura de la sonda de carne parpadeará.
2. Use la perilla del controlador para ajustar a la temperatura deseada.
3. Una vez que se alcanza la temperatura deseada de la sonda de carne seleccionada, presione nuevamente la perilla del controlador para confirmar y salir de la configuración de la sonda de carne programable.

• CONFIGURAR UNA RECETA

La función Receta permite al usuario programar instrucciones de cocción, conocidas como Pasos de receta, para que el Tablero de control las siga y se ejecute automáticamente. Estas instrucciones de cocción son una combinación entre la temperatura de cocción y el tiempo. A partir de los primeros Pasos de Receta (01), el Tablero de Control pasará por cada Pasos de Receta para cocinar la comida. Cuando se hayan completado todos los Pasos de Receta, el Tablero de Control cambiará automáticamente a una temperatura baja de 82 °C / 180 °F para que la comida se mantenga caliente hasta que esté lista para servir. Hay un total de nueve Pasos de Recetas disponibles para ser programados.

CÓMO PROGRAMAR UNA RECETA PASO

Para configurar uno o más de los Pasos de receta, siga los pasos a continuación:

1. Mantenga presionado el botón de receta. Esto hará que el botón de receta parpadee para mostrar que la configuración de receta está activa. Esto también activará los Pasos de receta y la letra 'S' estará activada para mostrar que está activa.
 - Use la perilla del controlador para seleccionar el paso de receta. Comience con el primer Paso de receta (01).
 - Cuando se alcanza el paso de receta deseado, presione la perilla del controlador para pasar a la siguiente configuración.
2. Establecer las horas de tiempo. Las horas de la lectura de Tiempo parpadearán para mostrar que está seleccionado.
 - Use la perilla del controlador para seleccionar las horas deseadas.
 - Cuando se alcanzan las horas deseadas, presione la perilla del controlador para pasar a la siguiente configuración.
3. Establecer el tiempo minutos. Los minutos de la lectura de Tiempo parpadearán para mostrar que está seleccionado.
 - Use la perilla del controlador para seleccionar los minutos deseados.
 - Cuando se alcanzan los minutos deseados, presione la perilla del controlador para pasar a la siguiente configuración.
4. Establecer la temperatura. La lectura de la temperatura central parpadeará para mostrar que está seleccionada.
 - Use la perilla del controlador para seleccionar la temperatura deseada.
 - Cuando se alcanza la temperatura deseada, presione y mantenga presionado el botón de receta para bloquear todas las configuraciones de receta para ese paso de receta.
 - Para configurar otro Paso de receta, presione rápidamente el Botón de receta para seleccionar otro Paso de receta, programando una cocción de múltiples Pasos de receta. Repita los pasos anteriores, según lo desee.
 - 0,
 - Mantenga presionado el botón de receta por segunda vez para salir de la configuración de receta y ejecutar la receta. El botón de receta dejará de parpadear.

NOTA: Los Pasos de receta se restablecerán cuando la unidad se apague / apague.

CONECTARSE A LA APLICACIÓN SMOKE IT®

Siga estas instrucciones sobre cómo conectar su parrilla a la aplicación Smoke iT® con su dispositivo Android™ o iOS®. La aplicación le permitirá controlar y monitorear las temperaturas de su parrilla y sonda de carne desde su dispositivo móvil. ¡Disfrute de los beneficios que ofrece la conectividad móvil Smoke IT®!

1. Descargue la aplicación Smoke iT®. Abra la aplicación y permita que Bluetooth® esté habilitado para la configuración. Los nuevos usuarios deberán crear una cuenta y seguir las instrucciones para iniciar sesión.
2. Si está dentro del alcance de Bluetooth® (9 m / 30 pies), la aplicación Smoke iT® detectará automáticamente su parrilla. Seleccione su modelo de parrilla. Si no ve su parrilla en la pantalla, asegúrese de que su unidad esté conectada a una fuente de alimentación y esté encendida.
3. Nombre su modelo de parrilla (por ejemplo, mi fumador) en la aplicación y seleccione "Conectar" en la parte inferior de la pantalla. Esto guardará su modelo de parrilla en el menú de dispositivos.
4. Desde el menú de dispositivos, haga clic en el modelo de parrilla para conectarse. Esto le mostrará la pantalla del tablero de control.
5. Haga clic en la opción de configuración (equipo) en la esquina superior derecha, ingrese sus credenciales de Wi-Fi, luego haga clic en la marca de verificación en la parte inferior de la pantalla para conectarse. Ahora los íconos de Bluetooth® y Wi-Fi (nubes) se mostrarán en el menú de dispositivos, mostrando que la parrilla está conectada.

Mientras usa la aplicación, la pantalla brillará cuando la parrilla esté activa y conectada. Si la pantalla o parrilla de la aplicación se oscurece en el menú de dispositivos, verifique su conexión inalámbrica o fuente de alimentación.

PROCEDIMIENTO DE PREPARACIÓN DE LA TOLVA

Debe seguir estas instrucciones la primera vez que encienda el asador y cada vez que el asador se quede sin pellets en la tolva. El barreno debe prepararse para permitir que los pellets de madera se desplacen por todo el barreno y llenen la cámara de combustión. **Si no se prepara, el encendedor se agotará antes de que los pellets se enciendan y no se encenderá el fuego.** Siga estos pasos para la preparación de la tolva:

1. Abra la tapa del barril principal. Retire todos los componentes de cocción del interior de la parrilla. Localice la olla de fuego en el fondo del barril principal. Verifique la olla de fuego para asegurarse de que no haya obstrucción para un encendido adecuado.
2. Enchufe el cable de alimentación a una fuente de alimentación. Presione el botón de Encendido para encender la unidad. Verifique los siguientes elementos:
 - Que puedes escuchar el sinfín girando. Coloque su mano sobre la olla de fuego y sienta el movimiento del aire. No coloque sus manos o dedos dentro de la olla de fuego. Esto puede causar lesiones.
 - Después de aproximadamente un minuto debe oler los vapores del encendedor y comenzar a sentir que el aire se calienta dentro de la cámara de combustión. La punta del encendedor no se pone roja, pero se pone extremadamente caliente y puede quemar. No toque el encendedor.
3. Después de verificar que todos los componentes eléctricos funcionan correctamente, presione y mantenga presionado el botón de encendido durante tres segundos para apagar la unidad.
4. Abra la tapa de la tolva. Asegúrese de que no haya objetos extraños en la tolva o el sistema de alimentación del sinfín. Llene la tolva con pellets secos de madera de barbacoa natural.
5. Presione el botón de encendido para volver a encender la unidad. El ciclo de arranque de la parrilla tiene una temperatura preestablecida de 176 °C / 350 °F, por lo que comenzará a calentarse. Mantenga presionado el botón Cebado hasta que vea gránulos en el interior de la parrilla desde el tubo del sinfín. Una vez que los gránulos comienzan a caer en la olla de fuego, suelte el botón de cebado.
6. Mantenga presionado el botón de encendido durante tres segundos para apagar la unidad.
7. Vuelva a instalar los componentes de cocción en el barril principal. La parrilla ya está lista para usar.

PRIMER USO - "QUEMADO" DEL ASADOR

Una vez que se haya cebado su tolva y antes de cocinarla por primera vez en su parrilla, es importante que se termine de quemar. Encienda la parrilla y opere a cualquier temperatura superior a 176 °C / 350 °F (con la tapa hacia abajo) durante 30 a 40 minutos para quemar la parrilla y eliminarla de cualquier materia extraña.

PROCEDIMIENTO DE ARRANQUE AUTOMÁTICO

1. Conecte el cable de alimentación a una fuente de alimentación con conexión a tierra. Abra la tapa del barril principal. Verifique la olla de fuego para asegurarse de que no haya obstrucción para un encendido adecuado. Abra la tapa de la tolva. Asegúrese de que no haya objetos extraños en la tolva o el sistema de alimentación del sinfín. Llene la tolva con pellets secos de madera de barbacoa natural.
2. Presione el botón de encendido para encender la unidad. Esto activará el ciclo de arranque. El sistema de alimentación del sinfín comenzará a girar, el encendedor comenzará a brillar y el ventilador suministrará aire a la olla de fuego. La parrilla comenzará a producir humo mientras se realiza el ciclo de arranque. La tapa del barril debe permanecer abierta durante el ciclo de arranque. Para confirmar que el ciclo de inicio ha comenzado correctamente, escuche un rugido torchy y observe que se produce algo de calor.
3. Una vez que el humo blanco y pesado se haya disipado, el ciclo de inicio se habrá completado y estará listo para disfrutar de su parrilla a la temperatura deseada.

CÓMO APAGAR SU ASADOR

1. Cuando termine de cocinar, con la tapa del barril principal cerrada, presione y mantenga presionado el botón de encendido durante tres segundos para apagar la unidad. La parrilla comenzará su ciclo de enfriamiento automático. El sistema de barrena dejará de alimentar combustible, la llama se apagará y el ventilador continuará funcionando hasta que se complete el ciclo de enfriamiento.

CUIDADO Y MANTENIMIENTO

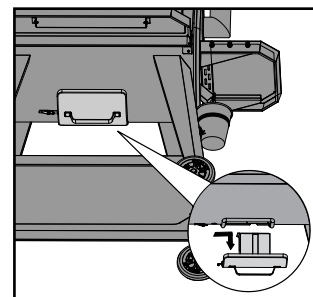
ADVERTENCIA: desconecte siempre el cable eléctrico antes de abrir la barbacoa para cualquier inspección o tarea de limpieza, mantenimiento o reparación. Asegúrese de que la barbacoa se haya enfriado por completo para evitar lesiones.

Todas las unidades Pit Boss® le proporcionarán muchos años de servicio y sabor con una limpieza mínima. Siga estos consejos de limpieza y servicio para mantener la barbacoa:

1. LIMPIEZA DE CENIZAS

- En la parte inferior del barril de la parrilla hay una función de limpieza de cenizas, que le brinda fácil acceso al interior de su caja de fuego para limpiarla fácilmente con la frecuencia que necesite. Para vaciar, suelte el pestillo de la hebilla del gancho del cenicero. Mientras sostiene la manija, deslice la caja de cenizas lejos de la hebilla, luego tire hacia abajo para quitarla. Una vez vaciado, vuelva a colocar la caja de cenizas levantándola hacia la parte inferior del barril de la parrilla, deslizando la caja de cenizas hacia la hebilla y luego fijando el gancho de la caja de cenizas con el pestillo de la hebilla.

ADVERTENCIA: Esta función solo se puede utilizar cuando la parrilla está fría.



2. CONJUNTO DE TOLVA

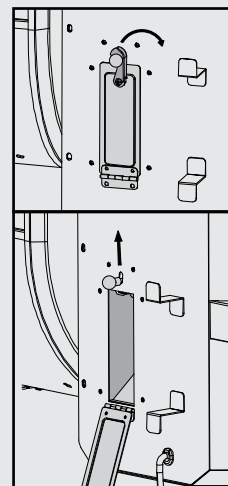
- Si no va a usar la barbacoa durante un período de tiempo prolongado, se recomienda vaciar todos los gránulos del alimentador de espiral. Para ello solo tiene que hacer funcionar la barbacoa, con la tolva vacía, hasta que hayan salido todos los gránulos del tubo del alimentador de espiral.
- Compruebe si hay residuos en el orificio de entrada de aire del ventilador, en la base de la tolva, y elimínelos. Una vez extraído el panel de acceso a la tolva (consulte el Diagrama de cableado eléctrico), limpie con cuidado cualquier acumulación de grasa que pueda haber en las aspas del ventilador. Así asegura una circulación de aire suficiente para el sistema de alimentación.

FUNCIÓN DE LIMPIEZA DE LA TOLVA

La tolva incluye una función de limpieza para facilitar la limpieza y la capacidad de cambiar los sabores del combustible de pellets de madera. Para vaciar, siga estos pasos:

- Ubique la puerta de limpieza y el gancho de la puerta en la parte posterior de la tolva.
- Gire el gancho de la puerta (en la parte superior) hacia la derecha para que se separe de la varilla del pestillo de liberación. Coloque un balde limpio y vacío debajo de la puerta de limpieza y deje que la puerta baje. Levante la varilla del pestillo de liberación para abrir la placa del conducto de caída, permitiendo que se vacíen los pellets de la tolva.
- Una vez vacío, empuje la placa del conducto de caída hacia arriba a mano. Se bloqueará en su lugar. Cierre la puerta de limpieza y gire el gancho de la puerta hacia atrás en la barra del pestillo de liberación para asegurar.

NOTA: Use un cepillo de mango largo o una aspiradora para sacar el exceso de pellets, el aserrín y los desechos para limpiar bien la cubierta de la tolva.



3. *SONDAS*

- Las arrugas o los pliegues en los cables de la sonda pueden dañar la pieza. Los cables deben enrollarse en un rollo grande y holgado.
- Aunque las sondas sean de acero inoxidable, no deben colocarse en el lavavajillas ni sumergirse en agua. El daño que el agua puede producir en los cables internos dará lugar a un cortocircuito de la sonda y a lecturas erróneas. Si una sonda está averiada debe sustituirse.

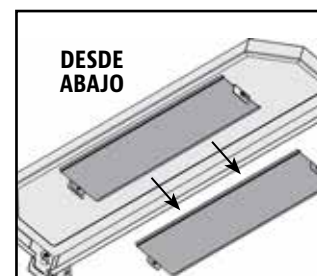
4. *SUPERFICIES INTERNAS*

- Se recomienda limpiar la chimenea cada pocos usos. Así se asegurará de que el sistema de ignición funcione correctamente y evitará cualquier acumulación de residuos o cenizas en la chimenea.
- Con un cepillo (de latón o metal suave) de mango largo para limpiar parrillas, elimine los restos de comida de las rejillas para cocinar. La práctica recomendada es hacerlo mientras están aún calientes de un uso anterior. Los fuegos de grasa se producen cuando caen demasiados residuos sobre los componentes para cocinar de la barbacoa. Limpie el interior de la barbacoa con regularidad. Si la grasa prende fuego, mantenga cerrada la tapa de la barbacoa para extinguir el fuego. Si el fuego no se extingue rápidamente, retire con cuidado la comida, apague la barbacoa y cierre la tapa hasta que el fuego se haya extinguido por completo. Esparza un poco de bicarbonato sódico, si lo tiene a mano.
- Compruebe a menudo el recogegrasa y límpielo si es necesario. Tenga en cuenta el tipo de cocina que suele realizar.

IMPORTANTE: dado el calor intenso, no cubra el asador de fuego ni las sondas con papel aluminio.

5. *SUPERFICIES EXTERNAS*

- El estante frontal incluye un panel extraíble debajo para facilitar la limpieza. Desde abajo, empuje la placa de respaldo hacia el barril principal para quitarla. Limpiar y luego volver a colocar deslizándolo en su lugar.
- Limpie la barbacoa después de cada uso. Use agua tibia jabonosa para reducir la grasa. No use limpiadores de horno, limpiadores abrasivos ni estropajos abrasivos en las superficies externas de la barbacoa. **Ninguna de las superficies pintadas están cubiertas por la garantía, sino que forman parte del mantenimiento y conservación general.** En el caso de rasguños de pintura, desgaste o desconchado del acabado, todas las superficies pintadas pueden retocarse con la pintura BBQ para altas temperaturas.
- Use una cubierta para una protección completa de la barbacoa. Un cubierta es la mejor protección contra los agentes contaminantes climáticos y exteriores. Cuando la unidad no se use o se almacene durante periodos prolongados, guárdela bajo techo en un garaje o cobertizo.



FRECUENCIA DE LIMPIEZA (USO NORMAL)

COMPONENTE	FRECUENCIA DE LIMPIEZA	MÉTODO DE LIMPIEZA
Base de la parrilla principal	Cada 5-6 usos de la barbacoa	Eliminar los residuos con un recogedor o aspiradora en seco o húmedo
Chimenea	Cada 2-3 usos de la barbacoa	Eliminar los residuos con un recogedor o aspiradora en seco o húmedo
Rejillas para cocinar	Después de cada uso de la barbacoa	Quemar el exceso, cepillo de alambre de latón
Parrilla	Cada 5-6 usos de la barbacoa	Raspar la placa principal con guía, No lavar
Estantes	Después de cada uso de la barbacoa	Estropajo y agua jabonosa
Recogegrasas	Después de cada uso de la barbacoa	Estropajo y agua jabonosa
Alimentador de espiral	Cuando se vacía la bolsa de gránulos	Deje que el alimentador de espiral expela el serrín hasta que se vacíe la tolva
Componentes eléctricos de la tolva	Una vez por año	Limpiar el interior, limpiar las aspas del ventilador con agua jabonosa
Orificio de entrada de aire	Cada 5-6 usos de la barbacoa	Limpiar, estropajo y agua jabonosa
Sonda de temperatura	Cada 2-3 usos de la barbacoa	Estropajo y agua jabonosa

CONSEJOS Y TÉCNICAS

Siga estos útiles consejos y técnicas, transmitidos por los dueños de Pit Boss®, nuestro personal y nuestros clientes, como usted, para familiarizarse con su asador:

1. SEGURIDAD DE LOS ALIMENTOS

- Mantenga limpio todo lo que haya en la cocina y en el área para cocinar. Use platos y utensilios diferentes para la carne cocida que los que utilizó para preparar o transportar la carne cruda al asador. Esto evitará la contaminación cruzada por bacterias. Cada marinada o salsa para untar debe tener su propio utensilio.
- Mantenga las comidas calientes calientes (a más de 60 °C / 140 °F), y mantenga las comidas frías frías (a menos de 3 °C / 37°F).
- Nunca debe guardar una marinada para usarla en el futuro. Si la va a servir con la carne, asegúrese de hervirla antes de servir.
- Los alimentos cocidos no deben dejarse en un entorno caliente por más de una hora. No deje alimentos calientes fuera del refrigerador por más de dos horas.
- Descongele y marine las carnes en refrigeración. No descongele la carne a temperatura ambiente ni sobre un mostrador. Las bacterias pueden crecer y multiplicarse con rapidez en comidas calientes y húmedas. Lávese las manos cuidadosamente con agua tibia y jabón antes de iniciar la preparación de los alimentos y después de manejar carne fresca, pescado y aves.

2. PREPARACIÓN PARA COCINAR

- Esté preparado o "**Mise en Place**". Esto se refiere a estar preparado con la receta, el combustible, los accesorios, los utensilios y todos los ingredientes que necesita junto al asador antes de empezar a cocinar. Además, lea toda la receta, de principio a fin, antes de encender el asador.
- Un tapete para asador es muy útil. Debido a los accidentes al manejar la comida y las salpicaduras al cocinar, un tapete protege su terraza, patio o piso de piedra del riesgo de manchas de grasa o derrames accidentales.

3. CONSEJOS Y TÉCNICAS PARA COCINAR

- Para infundir más sabor ahumado a sus carnes, cocínelas por más tiempo y a temperaturas más bajas (esto también se conoce como "**bajo y lento**"). La carne cerrará sus fibras cuando alcance una temperatura interna de 49 °C / 120 °F. Aplicar líquidos en aerosol o con un pequeño "trapeador" son excelentes maneras de evitar que la carne se seque.
- Al marcar sus carnes, cocine con la tapa cerrada. Siempre use un termómetro de carne para determinar la temperatura interna de los alimentos que está cocinando. Ahumar la comida con pellets de madera dura le da un tono rosado a la carne y las aves. La banda rosada (después de cocinar), conocida como **anillo de humo**, es muy apreciada por los chefs de asador.
- Es mejor aplicar las salsas con base de azúcar cerca del final de la cocción, para evitar que se quemen o provoquen llamaradas.
- Deje un espacio de separación entre la comida y los extremos del barril para que el calor fluya apropiadamente. Los alimentos en una parrilla muy llena necesitarán más tiempo de cocción.
- Use un juego de tenazas de mango largo para voltear las carnes, y una espátula para voltear hamburguesas y pescados. Si usa un utensilio puntiagudo, como un trinche, perforará la carne y permitirá que se escapen los jugos.
- Las comidas en platos hondos necesitarán más tiempo de cocción que en una charola plana.
- Es una buena idea colocar los alimentos preparados en un hornillo para mantenerlos calientes. Las carnes rojas, como los bistecs y asados, saben mejor cuando reposan varios minutos antes de servirlos. Esto permite que los jugos que el calor sacó a la superficie regresen al centro de la carne, dándole más sabor.

RESOLUCIÓN DE PROBLEMAS

Una limpieza adecuada, mantenimiento y el uso de combustible limpio, seco y de calidad impedirán que surjan los problemas de funcionamiento más comunes. Cuando la barbacoa Pit Boss® no funcione bien, o se use con menor frecuencia, las siguientes sugerencias de solución de problemas pueden resultar útiles. Consulte las preguntas frecuentes en www.pitboss-grills.com. También puede ponerse en contacto con su distribuidor local autorizado de Pit Boss® o bien solicitar asistencia al servicio de Atención al cliente.

ADVERTENCIA: desconecte siempre el cable eléctrico antes de abrir la barbacoa para cualquier inspección o tarea de limpieza, mantenimiento o reparación. Asegúrese de que la barbacoa se haya enfriado por completo para evitar lesiones.

PROBLEMA	CAUSA	SOLUCIÓN
No hay luces de encendido en el panel de control	No conectado a la alimentación eléctrica	Asegúrese de que el ahumador está conectado a un tomacorriente funcional. Restablezca el disyuntor. Asegúrese de que el GFCI tiene capacidad para 10 amperios como mínimo (consulte el Diagrama de cableado eléctrico para el acceso a los componentes eléctricos). Asegúrese de que todas las conexiones de cables están bien conectadas y secas.
	Fusible fundido en el panel de control	Retire los accesorios para cocinar del gabinete principal para ahumar. Gire la unidad hacia un lado y quite los tornillos en la parte posterior del panel de control. Revise el fusible para ver si un cable está roto o negro. Si es así, sustitúyalo manualmente con un fusible nuevo.
	Falla en el panel de control	Es necesario reemplazar el panel de control. Comuníquese con Servicio al Cliente para solicitar el repuesto (servicio al caliente no válido en México).
No se enciende fuego en la cámara de combustión	El barreno no está preparado	Antes de usar la unidad por primera vez, o cada vez que la tolva se vacíe por completo, el barreno debe prepararse para permitir que la cámara de combustión se llene de pellas. Si no se prepara, el encendedor se agotará antes de que los pellas se enciendan. Siga el procedimiento de preparación de la tolva .
	El motor del barreno está atascado	Retire los accesorios para cocinar del gabinete principal para ahumar. Oprima el botón Power (Encendido) para encender la unidad, gire el marcador de control de temperatura a SMOKE (AHUMAR) e inspeccione el sistema de alimentación por barreno. Confirme visualmente que el barreno está depositando los pellas en la cámara de combustión. Si no funciona correctamente, llame a Servicio al Cliente para pedir asistencia o un repuesto.
	Falla del encendedor	Retire los accesorios para cocinar del gabinete principal para ahumar. Oprima el botón Power (Encendido) para encender la unidad, gire el marcador de control de temperatura a SMOKE (AHUMAR) e inspeccione el encendedor. Confirme visualmente que el encendedor está funcionando, colocando su mano sobre la cámara de combustión para percibir que haya calor. Confirme visualmente que el encendedor sobresale alrededor de 13 mm / 0,5 pulg. en la cámara de combustión. Si no funciona correctamente, siga el procedimiento de arranque manual para seguir usando el ahumador; sin embargo, debe llamar a Servicio al Cliente para pedir asistencia o un repuesto.
La lectura de temperatura real no se ajusta	La sonda de la parrilla está sucia	Siga las instrucciones de Cuidado y mantenimiento .
	La sonda de la parrilla está averiada	La sonda de la parrilla debe sustituirse. Póngase en contacto con el servicio de atención al cliente.
La barbacoa no alcanza o no mantiene la temperatura estable	Circulación de aire insuficiente en la chimenea	Compruebe si la chimenea presenta acumulación de ceniza u obstrucciones. Siga las Instrucciones de Cuidado y mantenimiento para la acumulación de cenizas. Compruebe el ventilador. Asegúrese de que esté funcionando correctamente y que la entrada de aire no esté bloqueada. Siga las instrucciones de Cuidado y mantenimiento si está sucia. Compruebe el motor del alimentador de espiral para confirmar que está funcionando y asegúrese de que el tubo del alimentador de espiral no esté bloqueado. Una vez realizados los pasos anteriores, encienda la barbacoa, establezca la temperatura en AHUMAR y espere 10 minutos. Compruebe si la llama es brillante y viva.
	Falta combustible, combustible de mala calidad, obstrucción en el sistema de alimentación	Compruebe si el nivel de combustible en la tolva es suficiente y reponga si es bajo. Si la calidad de los gránulos es mala, o si estos son demasiado largos, esto puede producir obstrucciones en el sistema de alimentación. Extraiga los gránulos y siga las instrucciones de Cuidado y mantenimiento .
	Sonda de temperatura	Compruebe el estado de la sonda de temperatura. Siga las instrucciones de Cuidado y mantenimiento si está sucia. Póngase en contacto con Atención al cliente para solicitar un recambio si está dañada.

La barbacoa despidе demasiado humo o humo descolorido	Acumulación de grasa	Siga las instrucciones de Cuidado y mantenimiento .
	Calidad de los gránulos de madera	Extraiga los gránulos de madera húmedos de la tolva. Siga las instrucciones de Cuidado y mantenimiento para limpiar. Sustituya por gránulos de madera secos.
	La chimenea está bloqueada	Extraiga los gránulos de madera húmedos de la chimenea. Siga el Procedimiento de cebado de la tolva .
	Circulación de aire insuficiente para el ventilador	Compruebe el ventilador. Asegúrese de que esté funcionando correctamente y que la entrada de aire no esté bloqueada. Siga las instrucciones de Cuidado y mantenimiento si está sucia.
Llamaradas frecuentes	Temperatura de cocción	Pruebe cocinar a temperatura más baja. La grasa tiene un punto de inflamación. Mantenga la temperatura por debajo de 176 °C/350 °F cuando cocine alimentos muy grasos.
	Acumulación de grasa en los componentes de cocina	Siga las instrucciones de Cuidado y mantenimiento .
Código de error "ErP"	La unidad no se apagó correctamente la última vez que se conectó a la alimentación.	La función de seguridad evita el reinicio automático. Mantenga presionado el botón de Encendido durante tres segundos para apagar la unidad, espere dos minutos y presione el botón de Encendido para volver a encender la unidad. Gire el dial de control de temperatura a la configuración de HUMO o la temperatura deseada. Si el error sigue apareciendo, comuníquese con Atención al cliente.
	Corte de luz mientras la unidad está en funcionamiento.	
Código de error "ErH"	La unidad se ha recalentado, posiblemente debido a fuego de grasa o exceso de combustible.	Mantenga presionado el botón de encendido durante tres segundos para apagar la unidad y dejar que la barbacoa se enfríe. Siga las instrucciones de cuidado y mantenimiento. Después del mantenimiento, retire los gránulos y confirme la colocación de todos los componentes. Una vez que se haya enfriado, presione el botón de encendido para encender la unidad y seleccione la temperatura deseada. Si el error sigue apareciendo, comuníquese con Atención al cliente.
Código de error "ErL"	La parrilla no realiza el ciclo de encendido	Compruebe que los componentes para cocinar estén colocados correctamente. Compruebe si hay combustible suficiente en la tolva o si hay alguna obstrucción en el sistema de alimentación. Extraiga los pélets y siga las instrucciones de cuidado y mantenimiento . Compruebe la sonda de la parrilla. Confirme si la temperatura real es correcta y precisa. Siga las instrucciones de cuidado y mantenimiento si está sucia. Compruebe la colocación del encendedor y asegúrese de que esté calentando correctamente. En condiciones de frío extremo, la parrilla puede requerir un segundo encendido. Apague la parrilla, espere y vuelva a encenderla. Compruebe el ventilador. Asegúrese de que funciona correctamente. Siga las instrucciones de cuidado y mantenimiento si está sucia.
	La parrilla no se mantiene encendida	
El mensaje PELLETS es visible	Falta combustible, combustible de mala calidad, obstrucción en el sistema de alimentación, alimentador de espiral atascado	Compruebe si el nivel de combustible en la tolva es suficiente y reponga si es bajo. Si la calidad de los pélets de madera es mala o si estos son demasiado largos, puede producirse una obstrucción en el sistema de alimentación. Extraiga los pélets y siga las instrucciones de cuidado y mantenimiento .
El icono de SISTEMA DE IGNICIÓN parpadeando	El sistema de ignición no funciona adecuadamente y no puede establecer una conexión	Presione el botón de encendido para encender la unidad e inspeccionar el encendedor. Confirme visualmente que el encendedor está funcionando colocando su mano sobre la rejilla de combustión y sintiendo el calor. Confirme visualmente que el encendedor esté alineado con el orificio de la rejilla de combustión y ábralo para encender los pellets. Si no funciona correctamente, llame al Servicio al cliente para obtener ayuda o una pieza de repuesto.
	Falla del encendedor	Si no funciona correctamente, llame al servicio de atención al cliente para solicitar asistencia o una pieza de recambio.
El icono de ALIMENTADOR DE ESPIRAL parpadeando	El alimentador de espiral no se ceba	Antes de usar la unidad por primera vez o siempre que la tolva esté completamente vacía, debe cebarse el alimentador de espiral para que los gránulos el tubo del alimentador de espiral. Si no se ceba, el sistema de ignición agotará su tiempo de espera antes de que los gránulos lleguen a la chimenea. Siga el Procedimiento de cebado de la tolva.
	El motor de la barrena está atascado, no hace una conexión	Extraiga los componentes de cocina del tambor principal. Pulse el botón de Encendido para encender la unidad, gire el Dial de control de temperatura a la posición AHUMAR e inspeccione el alimentador de espiral. Confirme visualmente si el alimentador de espiral está soltando gránulos en la chimenea. Si no funciona bien, llame a Atención al cliente para solicitar asistencia o una pieza de recambio.
El icono de VENTILADOR parpadeando	El ventilador no funciona correctamente, no hace una conexión	Revise el ventilador. Asegúrese de que funcione correctamente y que la entrada de aire no esté bloqueada. Retire el panel de acceso a la tolva (consulte el diagrama de cableado eléctrico para ver el diagrama) y compruebe si hay daños en los cables del ventilador. Siga las instrucciones de cuidado y mantenimiento si las aspas del ventilador están sucias.

DIAGRAMA DE CABLEADO ELÉCTRICO

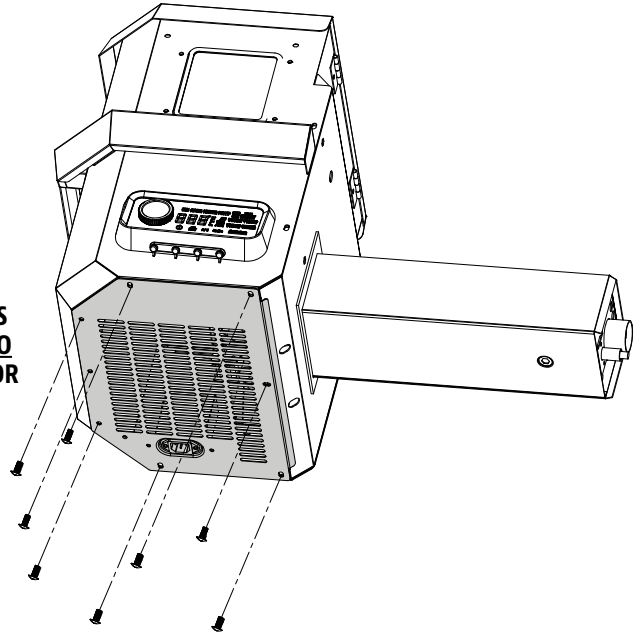
El sistema del Tablero de control digital es una pieza de tecnología compleja y valiosa. Para proteger contra las subidas de tensión y los cortocircuitos, consulte el diagrama de cableado para asegurarse de que la fuente de alimentación sea suficiente para que la unidad funcione correctamente.

PB – REQUISITOS ELÉCTRICOS

220-240 V, 50 Hz, 275 W, ENCHUFE CON CONEXIÓN A TIERRA

NOTA: los componentes eléctricos, que han superado las pruebas de seguridad y los servicios de certificación de producto, cumplen la tolerancia de prueba de $\pm 5-10$ por ciento.

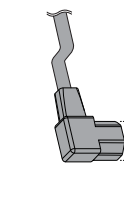
ENCUENTRE Y QUITE
LOS OCHO TORNILLOS
DEL PANEL DE ACCESO
DE LA PARTE INFERIOR
DE LA UNIDAD.



**CAPACIDAD DE
ENTRADA DE
COMBUSTIBLE:**
2.0 KG/H
(4.4 LB/H)

TABLERO DE CONTROL

CABLE DE
ALIMENTACIÓN
CON CONEXIÓN
A TIERRA

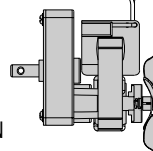


ADAPTADOR
MACHO

TIERRA

CONJUNTO DE ENCENDIDOR /
CALEFACTOR DE CARTUCHO HD
200 W, 230 V, 9.5MM X 127MM
(0.375 PU. X 5.000 PU.)

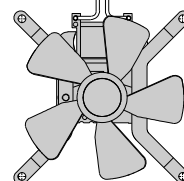
MOTOR DE
BARRENO Y
SISTEMA DE
ALIMENTACIÓN
230 V, 50 Hz,
MOTOR DE 2 R/MIN



SENSOR DEL
ASADOR

LIGERA
25 W, 230 V

VENTILADOR
230 V, 50 Hz,
MONOFÁSICO

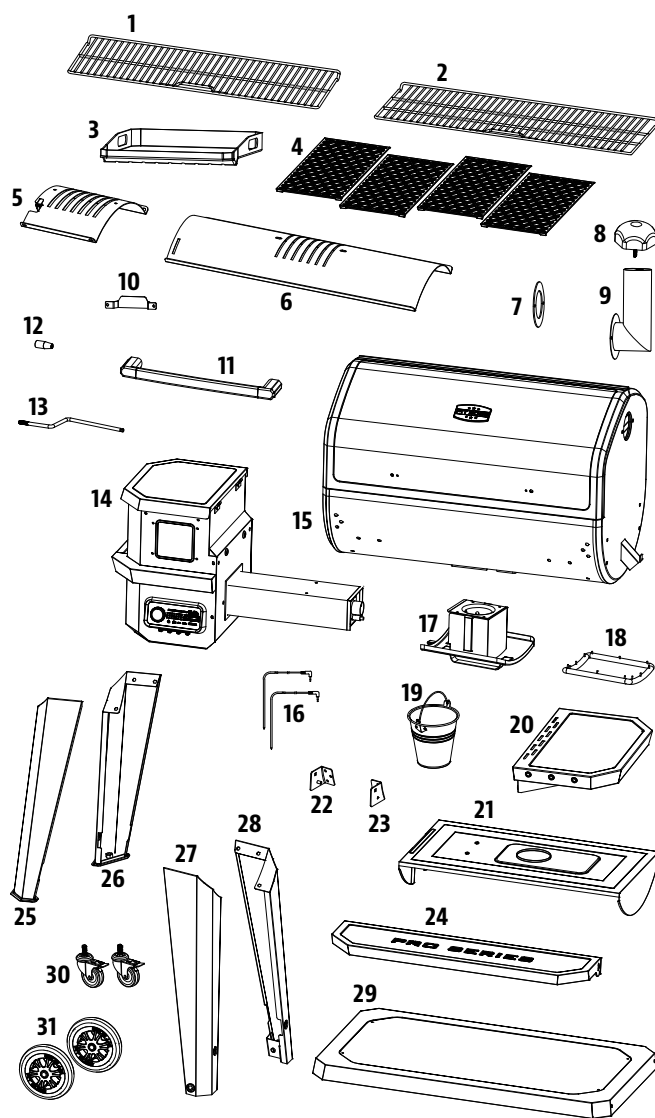


ÍNDICE

K : NEGRO
W : BLANCO
R : ROJO
Y : AMARILLO
P : PÚRPURA
O : NARANJA
G : VERDE

REFACCIONES PARA EL ASADOR

N°	Descripción
1	Parrilla superior para cocinar (x1)
2	Parrilla media para cocinar (x1)
3	Plancha (x1)
4	Rejillas para cocinar (x4)
5	Cubierta deslizante de la rejilla de flama (x1)
6	Placa principal de rejilla de flama (x1)
7	Empaque de la chimenea (x1)
8	Tapa de la chimenea (x1)
9	Cañón de la chimenea (x1)
10	Percha de rack (x1)
11	Asa de la tapa (x1)
12	Manija de la barra de ajuste de la rejilla de flama (x1)
13	Barra de ajuste de la rejilla de flama (x1)
14	Conjunto de tolva (x1)
15	Tambor principal (x1)
16	Sensore para carne (x2)
17	caja de cenizas (x1)
18	junta de la caja de cenizas (x1)
19	Cubeta de grasa (x1)
20	Repisa lateral (x1)
21	Placa difusora (x1)
22	Soporte de la repisa frontal / izquierda (x1)
23	Soporte de la repisa frontal / derecho (x1)
24	Repisa frontal (x1)
25	Pata de soporte izquierda - Delantera (x1)
26	Pata de soporte izquierda - Espalda (x1)
27	Pata de soporte derecha - Delantera (x1)
28	Pata de soporte derecha - Espalda (x1)
29	Repisa inferior (x1)
30	Rueda pivotante de cierre (x2)
31	Rueda (x2)
A	Tornillos (x28)
B	Arandelas (x24)
C	Arandelas de seguridad (x22)
D	Ganchos para implementos (x3)
E	Chavetas de rueda (x2)
F	Arandelas de eje de rueda (x2)
G	Clavijas de eje de rueda (x2)
H	Tornillos (x2)
I	Tuercas (x2)
J	Casquillos (x2)



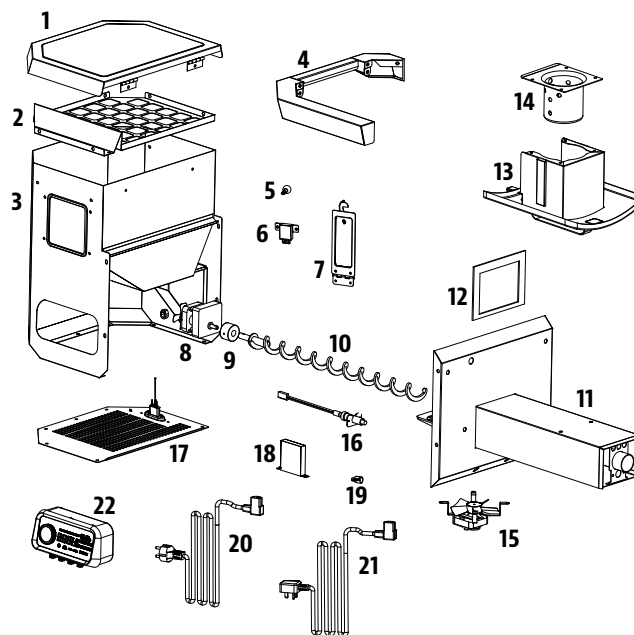
NOTA: Debido a que los productos están en desarrollo constante, las partes están sujetas a cambios sin previo aviso.

ES

ESPAÑOL

REFACCIONES PARA LA TOLVA

N°	Descripción
1	Tapa de la tolva (x1)
2	Pantalla de seguridad de la tolva (x1)
3	Carcasa de la tolva (x1)
4	Asa de la tolva (x1)
5	Asa de bloqueo del vertedor (x1)
6	Conjunto del vertedor (x1)
7	Puerta del vertedor (x1)
8	Motor del alimentador de espiral (x1)
9	Casquillo de nylon (x1)
10	Conjunto de fuga de la tolva (x1)
11	Carcasa del alimentador de espiral (x1)
12	Junta de la carcasa de la tolva (x1)
13	Caja de cenizas (x1)
14	Chimenea (x1)
15	Ventilador de combustión (x1)
16	Sistema de ignición (x1)
17	Panel de acceso a la tolva (x1)
18	Cubierta impermeable para cable de alimentación (x1)
19	Clip para cable de alimentación (x1)
20	Cable de alimentación: enchufe F (x1)
21	Cable de alimentación: enchufe G (x1)
22	Tablero de control (x1)



ES

ESPAÑOL

GARANTÍA

CONDICIONES

Todas las barbacoas de gránulos de madera de Pit Boss®, fabricadas por Dansons, tienen una garantía limitada desde la fecha de venta del propietario original. La cobertura de la garantía comienza en la fecha de compra original y se exigirá un comprobante de la fecha de compra, o copia de la factura de venta original, para validar la garantía. Los clientes deberán hacerse cargo de los gastos de piezas, envíos y tramitación si no proporcionan prueba de la compra o bien después del vencimiento de la garantía. Dansons ofrece cinco (5) años de garantía para defectos y fabricación en todas las piezas, y cinco (5) años para los componentes eléctricos. Dansons garantiza que la(s) piezas no contienen defectos de material ni de fabricación por la duración del uso y propiedad del comprador original. La garantía no cubre daños por desgaste, como rasguños, abolladuras, imperfecciones, desconchados o pequeñas grietas cosméticas. Estos cambios estéticos de la barbacoa no afectan su rendimiento. La reparación o sustitución de cualquier pieza no se extiende más allá de la garantía limitada de cinco (5) años desde la fecha de compra.

Durante la vigencia de la garantía, la obligación de Dansons se limitará a suministrar un recambio de los componentes defectuosos y/o averiados. Siempre y cuando esté dentro del período de garantía, Dansons no cobrará la reparación o sustitución de piezas devueltas, flete prepagado, si Dansons considera que las piezas son defectuosas tras examinarlas. Dansons no será responsable de los gastos de transporte, costes de mano de obra o aranceles de exportación. Salvo en la medida de lo previsto en las presentes condiciones de garantía, la reparación o sustitución de piezas de la manera y durante el período de tiempo mencionado en el presente constituirá el cumplimiento de todas las obligaciones directas y derivadas de Dansons para con el cliente.

Dansons toma todas las precauciones necesarias para utilizar materiales que retrasen el óxido. Incluso con estas salvaguardias, diversas sustancias y condiciones fuera del control de Dansons pueden poner en peligro las capas de protección. Las altas temperaturas, una humedad excesiva, el cloro, los gases industriales, fertilizantes, pesticidas para césped y sal son algunas de las sustancias que pueden afectar las capas que cubren el metal. Por estos motivos, la garantía no cubre el óxido ni la corrosión, a menos que se produzca pérdida de integridad estructural en el componente de la barbacoa. En el caso de producirse alguno de los incidentes anteriores, consulte la sección de cuidado y mantenimiento para prolongar la vida útil de la unidad. Dansons recomienda el uso de una cubiertas para barbacoas cuando no se esté utilizando. Esta garantía se basa en el uso y servicio doméstico normal de la barbacoa y ninguna cobertura de garantía limitada es válida para una barbacoa que se use en aplicaciones comerciales.

EXCEPCIONES

No hay garantía de rendimiento escrita o implícita para las barbacoas Pit Boss®, ya que el fabricante no tiene el control de la instalación, funcionamiento, limpieza, mantenimiento o el tipo de combustible empleado. Esta garantía no es válida ni Dansons asume la responsabilidad si el aparato no se ha instalado, manejado, limpiado y mantenido estrictamente de acuerdo con este manual del usuario. El uso de gas no descrito en este manual puede anular la garantía. La garantía no cubre daños o roturas debidas a uso indebido, manipulación incorrecta o modificaciones. Ni Dansons ni el distribuidor autorizado de Pit Boss® acepta responsabilidad, jurídica o de otra índole, por el daño fortuito o consecuente de la propiedad o de las personas producido por el uso de este producto. Tanto si se realiza una reclamación contra Dansons basada en el incumplimiento de esta garantía o de cualquier otra clase de garantía expresa o implícita por ley, el fabricante en ningún caso será responsable de daños especiales, indirectos, consecuentes ni de ninguna otra índole por encima de la compra original de este producto. Todas las garantías del fabricante están contenidas en el presente y no se realizarán reclamaciones contra el fabricante por ninguna garantía o declaración. Algunos estados y países no permiten la exclusión o la limitación de daños incidentales o consecuentes, o limitaciones de garantías implícitas, así que las limitaciones o exclusiones contenidas en la presente garantía limitada pueden no ser de aplicación para usted. Esta garantía limitada le otorga derechos legales específicos y es posible que le asistan otros derechos, que variarán de un estado a otro.

PEDIDO DE PIEZAS DE REPUESTO

Para realizar pedidos de piezas de repuesto, póngase en contacto con su distribuidor local de Pit Boss® o visite: www.pitboss-grills.com

PÓNGASE EN CONTACTO CON ATENCIÓN AL CLIENTE

Si tiene cualquier duda o problema, póngase en contacto con la Atención al cliente: www.pitboss-grills.com

SERVICIO DE GARANTÍA

Póngase en contacto con su distribuidor de Pit Boss® más cercano para reparaciones o piezas de repuesto. Dansons exige una prueba de compra para establecer la reclamación de garantía; por lo tanto, conserve su resguardo o factura de ventas original para referencia futura. Encontrará el número de serie y modelo de la Pit Boss® dentro de la tapa de la tolva. Tome nota de los números que se indican a continuación ya que la etiqueta puede desgastarse o volverse ilegible.

MODELO

NÚMERO DE SERIE

FECHA DE COMPRA

DISTRIBUIDOR AUTORIZADO

ES

ESPAÑOL

SICHERHEITSHINWEISE

DIE HAUPTURSACHEN FÜR GERÄTEBRÄNDE SIND UNGENÜGENDE WARTUNG UND DAS VERSÄUMNIS, DEN ERFORDERLICHEN MINDESTABSTAND ZU BRENNBAREN MATERIALIEN EINZUHALTEN. ES IST ÄUSSERST WICHTIG, DASS DIESES PRODUKT NUR ENTSPRECHEND DER FOLGENDEN ANWEISUNGEN VERWENDET WIRD.

Bitte lesen Sie die gesamte Anleitung sorgfältig durch, bevor Sie das Produkt aufbauen, betreiben oder installieren. Damit stellen Sie sicher, dass Ihnen der neue Holzpelletgrill Freude bereitet und bei der Verwendung möglichst wenig Probleme auftreten. Wir empfehlen außerdem, diese Anleitung zur künftigen Verwendung aufzubewahren.

GEFAHREN UND WARNHINWEISE

Sie müssen sich an Ihre Hausvereinigung vor Ort, Ihren Gebäude- oder Brandbeauftragten oder die zuständige Behörde wenden, um die erforderlichen Genehmigungen, Anforderungen oder Informationen zu Installationsbeschränkungen wie dem Aufstellen von Grills auf brennbaren Oberflächen, Inspektionsanforderungen oder sogar der Einsatzmöglichkeit in Ihrer Region zu erhalten.

1. Es muss ein Abstand von mindestens 914 mm (36 Zoll) von den Seiten des Grills zu brennbaren Bauten und von mindestens 914 mm (36 Zoll) von der Rückseite des Grills zu brennbaren Bauten eingehalten werden. **Bauen Sie das Gerät nicht auf brennbaren Böden auf, oder auf Böden, die mit brennbaren Oberflächen geschützt sind, es sei denn, Ihnen liegen die ordnungsgemäßen Genehmigungen und Zulassungen der zuständigen Behörden vor.** Verwenden Sie dieses Gerät nicht in Gebäuden und eingeschlossenen oder unbelüfteten Bereichen, in Wohnräumen, Fahrzeugen, Zelten oder Garagen. Dieses Holzpelletgerät darf nicht unter einer Decke oder einem Überhang aus brennbaren Materialien aufgebaut werden. Stellen Sie den Grill in einem Bereich auf, der frei von brennbaren Materialien, Benzin und anderen entzündlichen Gasen und Flüssigkeiten ist.

Wenn es zu einem Fettbrand kommt, schalten Sie den Grill auf OFF (AUS) und schließen den Deckel, bis das Feuer erloschen ist. Ziehen Sie den Netzstecker. Schütten Sie kein Wasser auf das Gerät. Versuchen Sie nicht, das Feuer zu ersticken. Es ist hilfreich, einen für alle Klassen (Klassen ABC) zugelassenen Feuerlöscher in der Nähe zu haben. Wenn ein unkontrolliertes Feuer auftritt, rufen Sie die Feuerwehr.

2. Halten Sie das Stromkabel und das Brennmaterial fern von heißen Oberflächen. Verwenden Sie den Grill nicht im Regen oder in der Nähe von Wasserquellen. Wenn das Netzkabel beschädigt ist, muss es vom Hersteller, einem seiner Servicepartner oder ähnlich qualifizierten Personen ausgetauscht werden, um Gefahren zu vermeiden.
3. Wenn Sie Ihr Gerät eine Weile verstaut oder nicht verwendet haben, müssen Sie sicherstellen, dass der Brenntopf nicht verstopft ist, die Pelletkammer keine Fremdkörper aufweist und die Luft im Ansaugbereich des Lüfters oder um den Rauchabzug nicht blockiert wird. Vor Gebrauch reinigen. Zur Verlängerung der Lebensdauer des Geräts ist eine regelmäßige Pflege und Wartung erforderlich. **Wenn der Grill in der regnerischen Jahreszeit oder in Zeiträumen mit hoher Feuchtigkeit im Außenbereich aufbewahrt wird, tragen Sie dafür Sorge, dass kein Wasser in die Pelletkammer eindringen kann.** Wenn Holzpellets nass werden oder starker Feuchtigkeit ausgesetzt sind, quellen sie stark auf, zersetzen sich und können das Zufuhrsystem blockieren. Ziehen Sie immer den Netzstecker, bevor Sie mit Instandhaltungs- oder Wartungstätigkeiten beginnen.

Transportieren Sie den Grill nicht, wenn er verwendet wird oder heiß ist. Vergewissern Sie sich, dass das Feuer vollständig erloschen und der Grill kühl genug zum Anfassen ist, bevor Sie ihn bewegen.

4. Es empfiehlt sich, bei der Bedienung des Grills hitzebeständige Grillhandschuhe zu tragen. Verwenden Sie keine Zubehörteile, die nicht ausdrücklich für die Verwendung mit diesem Gerät vorgesehen sind. Legen Sie in den Stauraum unter dem Grill weder die Grillabdeckung noch andere brennbare Gegenstände.

5. Damit Finger, Kleidungsstücke oder andere Gegenstände nicht vom Förderschnecken-Zufuhrsystem erfasst werden, ist das Gerät mit einer Sicherheitsblende aus Metall versehen, die im Inneren der Pelletkammer angebracht ist. Diese Blende darf nicht entfernt werden, es sei denn auf Anweisung des Kundendiensts oder eines autorisierten Händlers.

Dieses Gerät kann durch Kinder ab einem Alter von 8 Jahren, Personen mit eingeschränkten physischen, sensorischen oder mentalen Fähigkeiten oder Personen, denen es an Erfahrung und Wissen mangelt, benutzt werden, wenn diese Aufsicht oder Einweisung in die sichere Benutzung des Geräts erhalten und die damit verbundenen Gefahren verstehen. Kinder dürfen nicht mit dem Gerät spielen. Die Reinigung und Wartung darf von Kindern nicht ohne Aufsicht durchgeführt werden.

6. Teile des Grills können sehr heiß werden und schwere Verletzungen verursachen. Halten Sie kleine Kinder und Haustiere auf Abstand, wenn das Gerät in Gebrauch ist.
7. Vergrößern Sie die Zündlöcher oder Brenntöpfe nicht. Die Nichtbeachtung dieser Warnung kann Brandgefahr und Verletzungen verursachen und führt zum Erlöschen der Garantie.
8. Das Produkt kann scharfe Kanten oder spitze Ecken haben. Dies kann beim Anfassen zu Verletzungen führen. Vorsichtig handhaben.

ENTSORGUNG DER ASCHE

Asche sollte in einen Metallbehälter mit fest schließendem Deckel gefüllt werden. Der verschlossene Aschebehälter sollte bis zu seiner endgültigen Entsorgung auf einem nicht brennbaren Boden abgestellt werden, in ausreichendem Abstand zu brennbaren Materialien. Wenn Asche zur Entsorgung unter die Erde gehoben oder anderweitig ausgestreut wird, sollten Sie sie bis zum endgültigen Erkalten aller Glutreste in einem geschlossenen Behälter verwahren.

HOLZPELLETBRENNSTOFF

Dieses Pellet-Gargerät wurde nur für die Verwendung mit 100-prozentig naturbelassenem, zu Pellets geformtem Holz konzipiert und genehmigt. Werden andere Brennstoffe mit diesem Gerät verwendet, erlöschen die Garantie und die Sicherheitszulassung. Sie dürfen nur 100-prozentig naturbelassene Holzpellets verwenden, die zum Befeuern von Pelletgrills hergestellt wurden. Verwenden Sie keinen Brennstoff mit Zusätzen. Holzpellets sind äußerst empfindlich gegenüber Feuchtigkeit und sollten immer in einem luftdichten Behälter aufbewahrt werden. Wenn Sie Ihren Grill für einen längeren Zeitraum nicht nutzen und lagern, empfehlen wir, alle Pellets aus der Pelletkammer und der Förderschnecke zu entfernen, um ein Verstopfen zu vermeiden. Der mittlere Heizwert des Pelletbrennstoffs in 8000-8770 BTU/LB, Aschegehalt < 1%.

Verwenden Sie niemals Spiritus, Benzin, Feuerzeugbenzin oder Kerosin, um das Feuer im Grill zu entzünden oder anzufachen. Bewahren Sie solche Flüssigkeiten in sicherem Abstand zum Gerät auf, wenn es in Gebrauch ist.

Zum Druckzeitpunkt besteht keine Industrienorm für Grill-Holzpellets. Allerdings verwenden die meisten Pelletmühlen die gleichen Standards, um Holzpellets für den Privatgebrauch herzustellen. Weitere Informationen erhalten Sie unter www.pelletheat.org oder beim **Pellet Fuel Institute (Pelletbrennstoffinstitut)**.

Wenden Sie sich an Ihren Händler vor Ort, um Informationen zur Pelletqualität in Ihrer Region und zur Markenqualität zu erhalten. Da es keine Qualitätskontrolle für die verwendeten Pellets gibt und Pellets von Feuchtigkeit betroffen sein können, übernehmen wir keine Verantwortung für Schäden, die durch schlechte Brennstoffqualität verursacht wurden.

KREOSOT

Kreosot (oder Sott) ist eine teerähnliche Substanz. Bei der Verbrennung entstehen schwarze Dämpfe mit einem Rückstand, der ebenfalls schwarze Farbe hat. Sott oder Kreosot bildet sich, wenn das Gerät falsch bedient wird, beispielsweise wenn der Verbrennungslüfter blockiert ist, der Brennbereich nicht gereinigt oder gewartet wurde oder eine schlechte Luft-zu-Kraftstoff-Verbrennung stattfindet.

Die Verwendung des Geräts ist gefährlich, wenn die Flamme dunkel oder rußig wird oder der Brenntopf mit zu vielen Pellets befüllt ist. Bei Entzündung verursacht das Kreosot ein äußerst heißes und unkontrolliertes Feuer, ähnlich einem Fettbrand. Sollte es zu einem Brand kommen, schalten Sie das Gerät AB, lassen Sie es vollständig abkühlen und überprüfen Sie es hinsichtlich einer Wartung und Reinigung. Kreosot sammelt sich üblicherweise entlang des Abzugs an.

Wenn sich im Gerät Kreosot abgelagert hat, erwärmen Sie es bei niedriger Temperatur, schalten es dann aus und wischen alle Rückstände mit einem Handtuch ab. Ähnlich wie Teer ist Kreosot deutlich einfacher zu entfernen, wenn es warm ist, da es dann flüssig wird.

KOHLENMONOXID („DER LEISE KILLER“)

Kohlenmonoxid ist ein farb-, geruchs- und geschmacksloses Gas, das bei der Verbrennung von Gas, Holz, Propangas, Kohle und anderen Brennstoffen entsteht. Es verringert die Fähigkeit des Bluts, Sauerstoff zu transportieren. Ein niedriger Sauerstoffgehalt im Blut kann zu Kopfschmerzen, Schwindel, Schwäche, Übelkeit, Erbrechen, Müdigkeit, Verwirrung, Bewusstseinsverlust und selbst zum Tod führen. Befolgen Sie diese Richtlinien, um zu verhindern, dass dieses farb- und geruchslose Gas bei Ihnen, Ihrer Familie und anderen zu einer Kohlenmonoxidvergiftung führt.

- Suchen Sie einen Arzt auf, wenn Sie oder andere beim Grillen, Räuchern oder in der Nähe des Geräts erkältungs- oder grippeähnliche Symptome entwickeln. Eine Kohlenmonoxidvergiftung, die leicht mit einer Erkältung oder Grippe verwechselt werden kann, wird oftmals zu spät erkannt.
- Alkohol- und Drogenkonsum verstärkt die Effekte einer Kohlenmonoxidvergiftung.

Kohlenmonoxid gefährdet insbesondere Mutter und Kind während der Schwangerschaft, Kleinkinder, ältere Menschen, Raucher und Menschen mit Blutkrankheiten (Anämie), Herz-Kreislauf-Problemen oder Herzerkrankungen.

SICHERHEITSKENNZEICHNUNG

Entspricht to EN 60335-2-102:2016, EN 60335-1:2012 + A11:2014 + A13:2017 + A1: 2019 + A14: 2019 + A2: 2019, EN62233: 2008, EN 55014-1:2017, EN IEC 61000-3-2:2019, EN 61000-3-3:2013+A1:2019, EN 55014-2:2015.



FCC-KONFORMITÄTSERKLÄRUNG

Dieses Gerät entspricht Teil 15 der FCC-Bestimmungen. Für den Betrieb gelten folgende zwei Bedingungen: (1) Dieses Gerät darf keine schädlichen Interferenzen verursachen, und (2) dieses Gerät muss unanfällig gegenüber allen empfangenen Interferenzen sein – auch gegenüber denjenigen, die einen unerwünschten Betrieb verursachen können.



Dieses Gerät wurde getestet und hält die Grenzwerte für ein digitales Gerät der Klasse B gemäß Teil 15 der FCC-Bestimmungen ein. Diese Grenzwerte sind so ausgelegt, dass sie einen angemessenen Schutz gegen schädliche Interferenzen in Wohngebieten bieten. Dieses Gerät erzeugt, nutzt und emittiert Hochfrequenzstrahlung und kann bei einer nicht den Anweisungen entsprechenden Montage und Nutzung schädliche Störungen des Funkverkehrs verursachen. Es gibt jedoch keine Garantie für eine absolute Störungsfreiheit jeder einzelnen Installation. Wenn dieses Gerät den Radio- oder Fernsehempfang stört, was durch Aus- und Einschalten des Geräts festgestellt werden kann, so ist der Benutzer dazu angehalten, die Störung durch eine oder mehrere der folgenden Maßnahmen zu beheben:

- Die Empfangsantenne neu ausrichten oder versetzen.
- Den Abstand zwischen Gerät und Empfänger vergrößern.
- Das Gerät an eine Steckdose anschließen, an deren Stromkreis nicht auch der Empfänger angeschlossen ist.
- Den Händler oder einen erfahrenen Radio-/Fernsehtechniker zu Rate ziehen.

Vorsicht: Der Benutzer wird darauf hingewiesen, dass alle baulichen oder sonstigen Veränderungen des Geräts, die nicht ausdrücklich von der für die Einhaltung der Bestimmungen verantwortlichen Stelle genehmigt wurden, die Berechtigung des Benutzers zum Betrieb des Geräts aufheben können.

Die Bluetooth®-Wortmarke und das Bluetooth®-Logo sind eingetragene Marken im Besitz der Bluetooth SIG, Inc.. Jede Verwendung dieser Marken durch Espresso erfolgt unter Lizenz. Andere Marken und Handelsnamen gehören ihren jeweiligen Eigentümern.



HINWEISE ZUM COPYRIGHT

Copyright 2021. Alle Rechte vorbehalten. Kein Teil dieser Anleitung darf in keiner erdenklichen Form oder Weise kopiert, übertragen, transkribiert oder in einem Datenabfragesystem gespeichert werden, ohne die ausdrückliche schriftliche Zustimmung von

DANSONS EUROPA

11 Rue Galvani Paris, Frankreich 75017

DANSONS NORDAMERIKA

3411 North 5th Avenue, Suite 500, Phoenix, AZ, USA 85013

KUNDENDIENST

www.pitboss-grills.com

INHALTSVERZEICHNIS

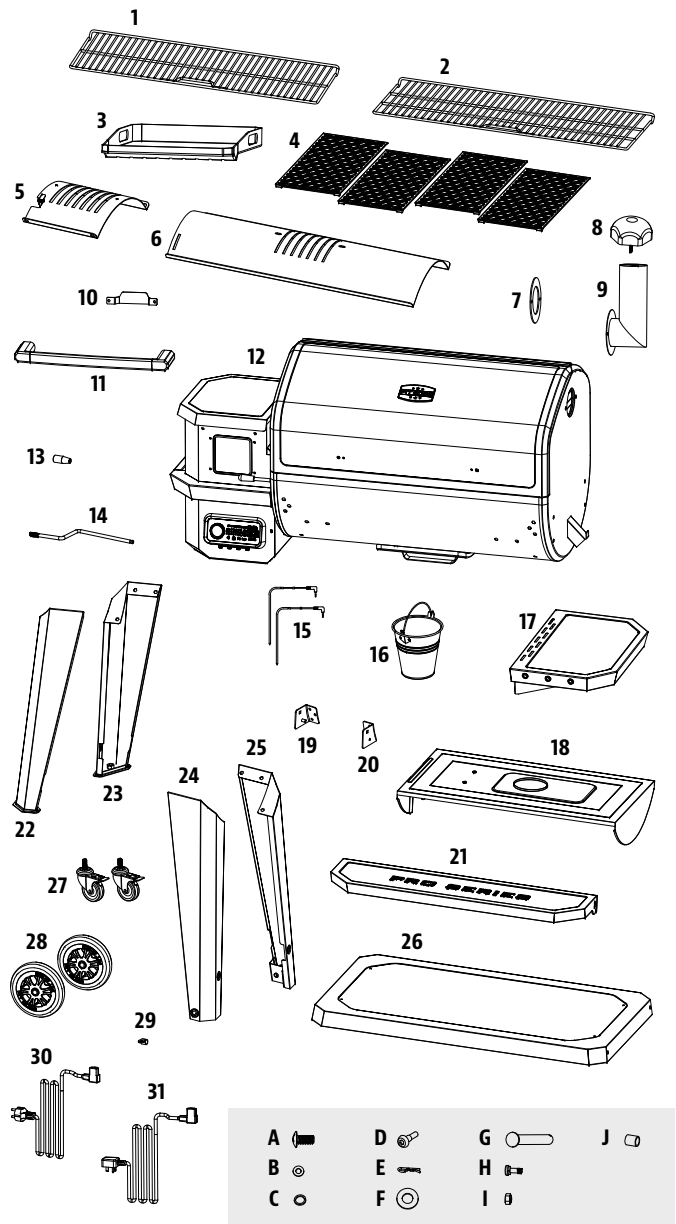
Sicherheitshinweise.....	86
Teile und technische Daten.....	90
Montagevorbereitung	91
Montageanleitung	
Montage der Beine am Hauptfass	91
Montage der unteren Ablage	92
Montage der Räder am Wagen.....	92
Montage des Deckelhalters	92
Zusammenbau der Seitenablage.....	93
Montage der Seitenablage	93
Befestigung des Rauchabzugs	93
Sicherung der Halterungen der vorderen Ablage.....	94
Montage der vorderen Ablage.....	94
Platzieren der Diffusorplatte	94
Montage der Komponenten der Feuerpfanne	95
Montage der Garkomponenten	96
Montage der Rostaufhängung	96
Aufhängen des Fetteimers.....	96
Anbringen des Netzsteckers.....	97
Anschluss an eine Stromquelle.....	97
Bedienungsanleitung	
Grillumgebung	98
Temperaturbereiche beim Grillen.....	99
Informationen zum Steuerpanel	100
Funktionen des Steuerpanels.....	101
Verbindung mit der Smoke iT® App.....	103
Initialisierung der Pelletkammer	104
Erste Verwendung – Einbrennen des Grills	104
Automatisches Starten	104
Den Grill ausstellen	104
Pflege und Wartung.....	105
Tipps und Techniken.....	107
Fehlerbehebung	108
Schaltplan	110
Ersatzteile	
Grillersatzteile.....	111
Pelletkammer-Ersatzteile.....	112
Garantie.....	113

DE

DEUTSCHE

TEILE UND SPEZIFIKATIONEN

Teilenummer	Beschreibung
1	Oberes Gargitter (x1)
2	Mittleres Gargitter (x1)
3	Backblech (x1)
4	Grillroste (x4)
5	Feuerpfannenschieber (x1)
6	Feuerpfannen-Hauptplatte (x1)
7	Rauchabzugsdichtung (x1)
8	Rauchabzugsdeckel (x1)
9	Rauchabzugssäule (x1)
10	Aufhänger (x1)
11	Deckelgriff (x1)
12	Hauptfass-/Pelletkammer-Einheit (x1)
13	Feuerpfannen-Einstellstangenhalter (x1)
14	Einstellstange für den Bratrost (x1)
15	Fleischtemperaturfühler (x2)
16	Fetteimer (x1)
17	Seitliche Ablage (x1)
18	Diffusorplatte (x1)
19	Halterung der vorderen Ablage / links (x1)
20	Halterung der vorderen Ablage / rechts (x1)
21	Vordere Ablage (x1)
22	Linkes Stützbein - vorne (x1)
23	Linkes Stützbein - hinten (x1)
24	Rechtes Stützbein - vorne (x1)
25	Rechtes Stützbein - hinten (x1)
26	Untere Ablage (x1)
27	Feststellrollen (x2)
28	Rad (x2)
29	Netzkabelclip (x1)
30	Netzkabel – F-Stecker (x1)
31	Netzkabel – G-Stecker (x1)
A	Schraube (x28)
B	Unterlegscheibe (x24)
C	Federring (x22)
D	Werkzeughaken (x3)
E	Radsteckerstift (x2)
F	Radunterlegscheibe (x2)
G	Radachsenbolzen (x2)
H	Schraube (x2)
I	Mutter (x2)
J	Buchse (x2)



HINWEIS: Aufgrund der kontinuierlichen Produktweiterentwicklung können Teile ohne Ankündigung geändert werden. Wenden Sie sich an den Kundendienst, falls bei der Montage des Geräts Teile fehlen sollten.

PB – ELEKTRISCHE ANFORDERUNGEN
220 – 240 V, 50 Hz, 275 W, GEERDETES NETZKABEL

MODELL	MONTIERT (BxTxH)	GEWICHT	GARFLÄCHE	TEMPERATURBEREICH
PB PB1600PS1	1587,5 MM x 813,5 MM x 1400 MM / 62,50 ZOLL x 32,03 ZOLL x 55,12 ZOLL	110,0 KG / 242,5 LB	OBERES GITTER - 2474,8 CM ² / 383,6 IN ² MITTLERES GITTER - 3249,6 CM ² / 503,7 IN ² HAUPTGITTER - 45871 CM ² / 711,0 IN ² GESAMT - 10.311,5 CM ² / 1598,3 IN ²	82-260 °C / 180-500 °F

MONTAGEVORBEREITUNG

Im gesamten Versandkarton befinden sich Teile, auch unter dem Grill. Überprüfen Sie den Grill, die Teile und die Sichtverpackung des Produkts, nachdem Sie den Schutz des Versandkartons entfernt haben. Entfernen Sie vor der Montage sämtliches Verpackungsmaterial innen und außen am Grill und überprüfen Sie dann alle Teile anhand der Teilleiste. Wenn Teile fehlen oder beschädigt sind, warten Sie mit der Montage. Transportschäden werden nicht von der Garantie abgedeckt. Wenden Sie sich für Teile an Ihren Händler oder den Pit Boss® Kundendienst.

www.pitboss-grills.com

WICHTIG: Um die Montage zu vereinfachen, ist es hilfreich (aber nicht notwendig), das Gerät mit zwei Personen zusammenzubauen.

Für die Montage erforderliche Werkzeuge: Schraubenzieher und Wasserwaage. *Diese Werkzeuge sind nicht im Lieferumfang enthalten.*



MONTAGEANLEITUNG

WICHTIG: Es wird empfohlen, jeden Schritt vollständig durchzulesen, bevor Sie mit der Montage nach den Anweisungen beginnen. Ziehen Sie die Schrauben erst fest, wenn Sie alle Schrauben dieses Schritts eingesetzt haben. Die Verbindung aus Federring und Unterlegscheibe muss so montiert werden, dass die Sicherungsscheibe näher am Schraubenkopf liegt.

1. MONTAGE DER BEINE AM HAUPTFASS

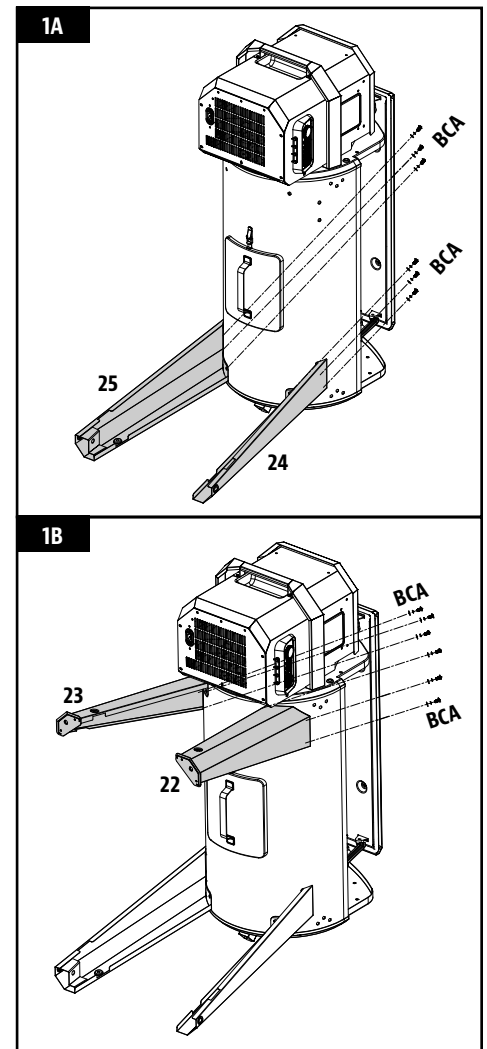
Erforderliche Teile:

- 1 x Hauptfass / Pelletkammer-Einheit (12)
- 1 x Linkes Stützbein - Vorderseite (22)
- 1 x Linkes Stützbein - Rückseite (23)
- 1 x Rechtes Stützbein / Vorderseite (24)
- 1 x Rechtes Stützbein / Rückseite (25)
- 12 x Schraube (A)
- 12 x Unterlegscheibe (B)
- 12 x Federring (C)

Montage:

- Breiten Sie ein Stück Karton auf dem Boden aus, damit das Gerät oder die Teile während der Montage nicht verkratzen. Drehen Sie das Hauptfass auf die Seite und legen Sie es auf den Karton. Das Ende mit der Pelletkammer zeigt dabei nach oben.
- Montieren Sie das vordere rechte Stützbein am Bodenende des Hauptfasses. Verwenden Sie dafür drei Schrauben, Federringe und Unterlegscheiben, die Sie durch die drei vorgebohrten Löcher führen. Bringen Sie die Schrauben von der Innenseite des Hauptfasses aus an. Wiederholen Sie den Montagevorgang für das hintere rechte Stützbein. Siehe Abbildung 1A.
- Montieren Sie anschließend das vordere linke Stützbein an dem Ende des Hauptfasses, an dem sich die Pelletkammer befindet. Verwenden Sie dafür drei Schrauben, Federringe und Unterlegscheiben, die Sie durch die drei vorgebohrten Löcher führen. Bringen Sie die Schrauben von der Innenseite des Hauptfasses aus an. Wiederholen Sie den Montagevorgang für das hintere linke Stützbein. Siehe Abbildung 1B.

WICHTIG: Ziehen Sie die Schrauben erst vollständig an, nachdem im nächsten Schritt die untere Ablage installiert wurde.



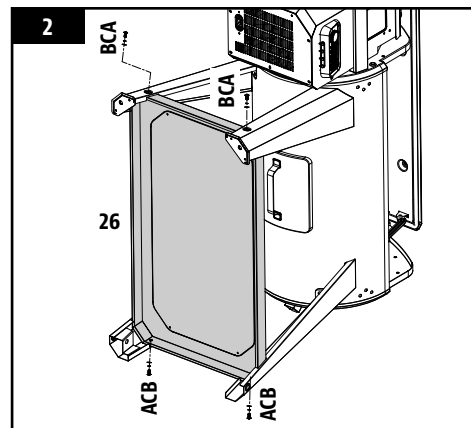
2. MONTAGE DER UNTEREN ABLAGE

Erforderliche Teile:

- 1 x Untere Ablage (26)
- 4 x Schraube (A)
- 4 x Unterlegscheibe (B)
- 4 x Federring (C)

Montage:

- Montieren Sie die untere Ablage mit einer Schraube, einem Federring und einer Unterlegscheibe an jedem Stützbein. Stellen Sie sicher, dass die flache Oberfläche der Ablage nach oben zum Grillfass zeigt.



3. MONTAGE DER RÄDER AM WAGEN

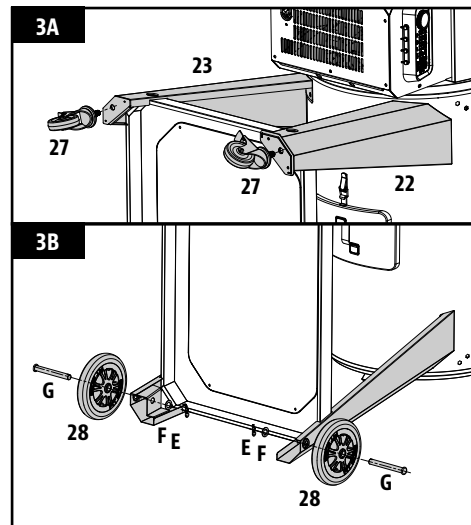
Erforderliche Teile:

- 2 x Feststellrollen (27)
- 2 x Räder (28)
- 2 x Radsteckerstift (E)
- 2 x Radunterlegscheibe (F)
- 2 x Radachsenbolzen (G)

Montage:

- Setzen Sie jede Feststellrolle in das Loch an der Unterseite jedes linken Stützbeins ein, indem Sie sie von Hand in das Loch einschrauben. Stellen Sie sicher, dass jede Feststellrolle vollständig eingesetzt ist. Siehe Abbildung 3A.
- Befestigen Sie jedes Rad an einem Stützbein, indem Sie den Radachsenbolzen durch das Rad, das Stützbeinloch und die Radunterlegscheibe führen und mit dem Radsteckerstift sichern. Siehe Abbildung 3B.
- Nachdem die Ablage festgeschraubt ist, stellen Sie den Grill vorsichtig in eine aufrechte Position.

WICHTIG: Ziehen Sie die Schrauben der Stützbeine erneut an, um sicherzustellen, dass sie nach dem Aufstellen des Grills komplett festgezogen sind.



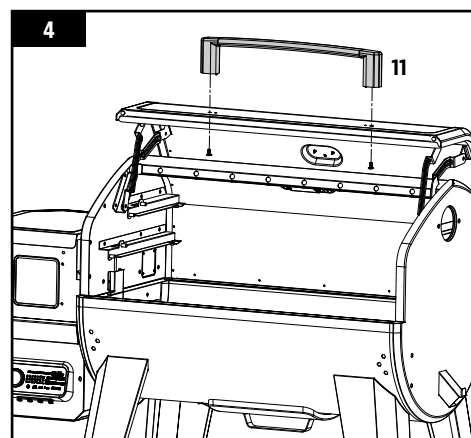
4. MONTAGE DES DECKELGRIFFS

Erforderliche Teile:

- 1 x Deckelgriff (11)

Montage:

- Entfernen Sie die vormontierten Schrauben vom Deckelgriff. Setzen Sie von innen eine Schraube in den Fassdeckel ein, sodass sie nach außen ragt, und drehen Sie die Schraube von Hand (von innen) in den Deckelgriff, bis sie fest sitzt. Wiederholen Sie den gleichen Vorgang für das andere Ende des Deckelgriffs.



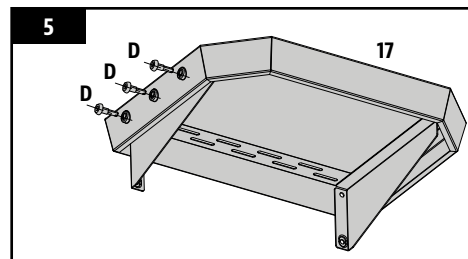
5. ZUSAMMENBAU DER SEITENABLAGE.

Erforderliche Teile:

- 1 x Seitenablage (17)
- 3 x Werkzeughaken (D)

Montage:

- Drehen Sie die Oberseite der Seitenablage nach unten. Montieren Sie an der Kante der Seitenablage, die drei Löcher aufweist, einen Werkzeughaken in jedem Loch. Die Werkzeughaken werden an der Mutter befestigt, die auf der Innenseite vormontiert ist.



6. MONTAGE DER SEITENABLAGE

Erforderliche Teile:

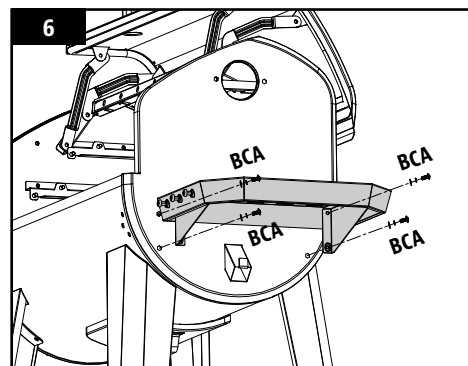
- 4 x Schraube (A)
- 4 x Federring (C)
- 4 x Unterlegscheibe (B)

Montage:

- Befestigen Sie die Seitenablage mit zwei Schrauben, Federringen und Unterlegscheiben von unten an der Seitenwand des Hauptfasses.

HINWEIS: Ziehen Sie die Schrauben erst fest, wenn alle Schrauben eingesetzt wurden. Nachdem alle Schrauben eingesetzt wurden, ziehen Sie diese fest.

WICHTIG: Vermeiden Sie es, die Ablagen zum Bewegen oder Anheben des Grills zu verwenden. Durch das Gewicht des Geräts würden die Ablagen brechen, was nicht von der Garantie abgedeckt wird.



7. BEFESTIGUNG DES RAUCHABZUGS

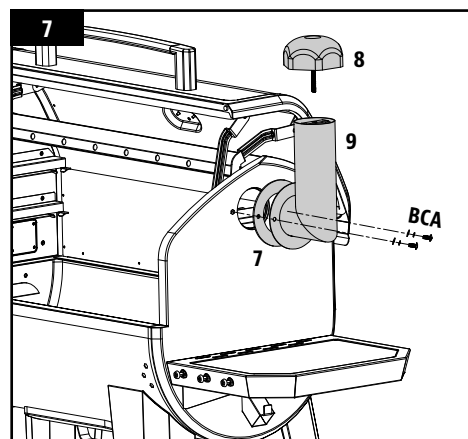
Erforderliche Teile:

- 1 x Dichtung des Rauchabzugs (7)
- 1 x Rauchabzugsdeckel (8)
- 1 x Rauchabzugssäule (9)
- 2 x Schraube (A)
- 2 x Federring (C)
- 2 x Unterlegscheibe (B)

Montage:

- Suchen Sie die Rauchabzugsöffnung an der Seite des Hauptfasses. Befestigen Sie die Rauchabzugssäule und die Rauchabzugsdichtung von außen mit zwei Schrauben, Federringen und Unterlegscheiben an der Seitenwand. Die Schraube wird anhand der vormontierten Mutter auf der Innenseite des Fasses festgezogen.
- Befestigen Sie als nächstes den Rauchabzugsdeckel an der Oberseite der Rauchabzugssäule, indem Sie den Rauchabzugsdeckel in die Rauchabzugssäule eindrehen.

HINWEIS: Über die Einstellung des Rauchabzugsdeckels können Sie den Luftstrom im Inneren des Hauptgrills beeinflussen. Wenn Sie bei niedriger Temperatur kochen, halten Sie die Rauchabzugsdichtung weiter offen. Stellen Sie sicher, dass der Rauchabzugsdeckel das Entweichen der Luft ermöglicht.



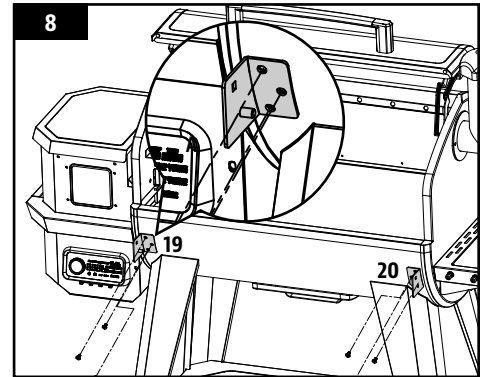
8. SICHERUNG DER HALTERUNGEN DER VORDEREN ABLAGE

Erforderliche Teile:

- 1 x Halterung der vorderen Ablage / links (19)
- 1 x Halterung der vorderen Ablage / rechts (20)
- 6 x Schraube (A)

Montage:

- Halterung der vorderen Ablage mit drei Schrauben an der Vorderseite des Grillfasses befestigen. Die Schrauben nur leicht anziehen und erst festziehen, wenn alle drei Schrauben eingesetzt und korrekt ausgerichtet sind.
- Montagevorgang für die andere Halterung der vorderen Ablage wiederholen.



9. MONTAGE DER VORDEREN ABLAGE

Erforderliche Teile:

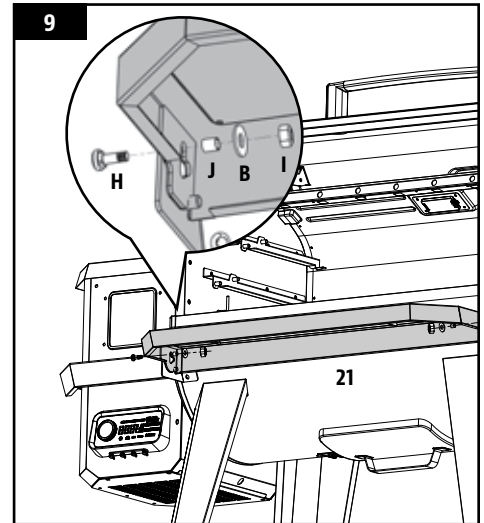
- 1 x Vordere Ablage (21)
- 2 x Unterlegscheibe (B)
- 2 x Schraube (H)
- 2 x Mutter (I)
- 2 x Buchse (J)

Montage:

- Stecken Sie die Schraube von der Außenseite und von unten in die Halterung der vorderen Ablage und in die Ablage selbst ein. Setzen Sie dann die Buchse auf die Schraube, die Unterlegscheibe und die Mutter. Montagevorgang für die andere Seite der vorderen Ablage wiederholen.

HINWEIS: Bei korrekter Montage kann die vordere Ablage für die Verwendung problemlos angehoben und für die Lagerung abgesenkt werden.

WICHTIG: Vermeiden Sie es, die Ablagen zum Bewegen oder Anheben des Grills zu verwenden. Durch das Gewicht des Geräts würden die Ablagen brechen, was nicht von der Garantie abgedeckt wird.



10. PLATZIEREN DER DIFFUSORPLATTE

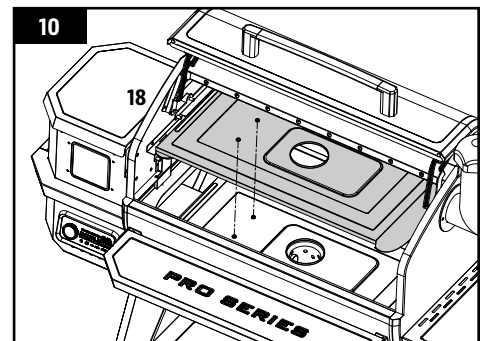
Erforderliche Teile:

- 1 x Diffusorplatte (18)

Montage:

- Setzen Sie die Diffusorplatte so in das Hauptfass, dass die mittlere Öffnung direkt mit dem runden Feuertopf am Boden des Hauptfasses fluchtet.

HINWEIS: Die Diffusorplatte muss nicht befestigt werden.



11. MONTAGE DER KOMPONENTEN DER FEUERPFANNE

Erforderliche Teile:

- 1 x Feuerpfannenschieber (5)
- 1 x Feuerpfannen-Hauptplatte (6)
- 1 x Feuerpfannen-Einstellstangenhalter (13)
- 1 x Feuerpfannen-Einstellstange (14)

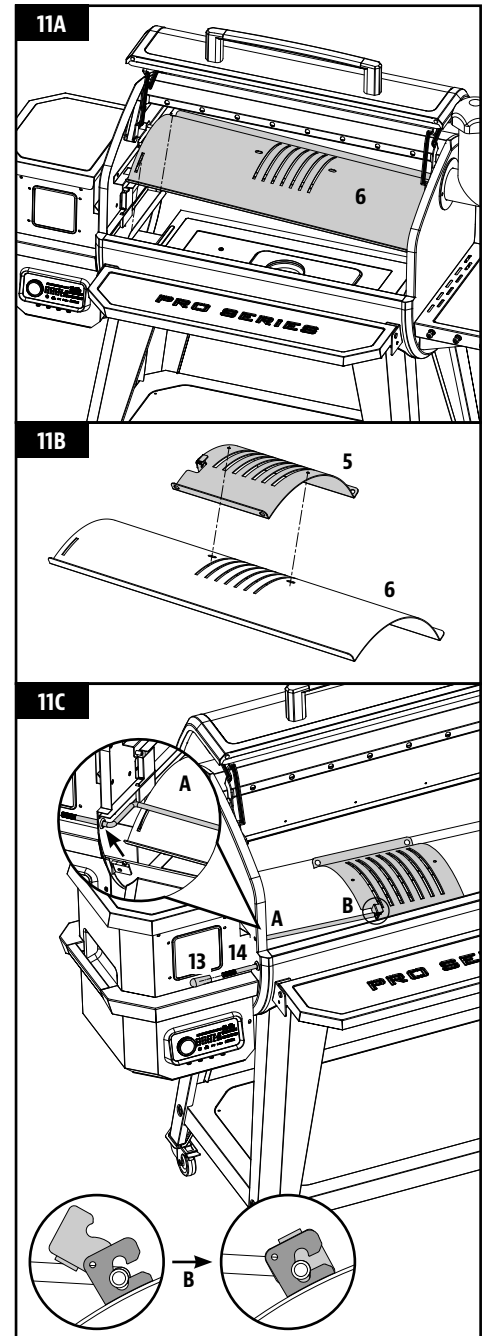
Montage:

- Führen Sie die Feuerpfannen-Hauptplatte mit der rechten Seite zuerst in den Hauptgrill ein. Setzen Sie die Feuerpfannen-Hauptplatte auf die eingebaute Halterung (auf der rechten Innenseite) des Hauptgrills, die das Fett zum Fetteimer leitet. Schieben Sie das ganze Teil zur linken Seite und die zwei Schlitzlöcher in der Feuerpfannen-Hauptplatte setzen sich passgenau in die abgerundete Halterung über dem Feuerkopf. Es ist leicht nach unten geneigt. Siehe 11A.

WICHTIG: Liegt die Feuerpfannen-Hauptplatte auf dem Fassboden auf, ist sie falsch montiert. Die Feuerpfannen-Hauptplatte sollte leicht schräg angebracht sein (links höher als rechts). Eine mangelhafte Montage dieses Teils kann zu einer Beschädigung des Hauptgrillfasses führen.

- Setzen Sie den Feuerpfannenschieber so auf die Feuerpfannen-Hauptplatte, dass er die Schlitzöffnungen verdeckt. Achten Sie darauf, dass sich der angehobene Griff auf der linken Seite befindetet, damit Sie beim Grillen beziehungsweise Räuchern leicht die direkte oder indirekte Flamme einstellen können. Beachten Sie Abbildung 11B. Beide Feuerpfannenteile sind leicht mit Öl beschichtet, um während des Transports die Entstehung von Rost zu verhindern.
- Entfernen Sie als Nächstes den Feuerpfannen-Einstellstangenhalter von der Feuerpfannen-Einstellstange. Stecken Sie die Feuerpfannen-Einstellstange durch das Öffnungsloch auf der linken Seite des Hauptfasses. Bringen Sie den Griff der Feuerpfannen-Einstellstange wieder am Ende außerhalb des Fasses an. Schieben Sie anschließend das gekerbte Ende der Einstellstange in die Verriegelungsglasche des Feuerpfannenschiebers, sodass Sie den Feuerpfannenschieber problemlos auf dem Hauptblech einstellen können. Beachten Sie die Schritte in 11C.

HINWEIS: Lassen Sie den Grill nie unbeaufsichtigt, wenn der Feuerpfannenschieber offen ist und mit direkter Flamme gegrillt wird.



12. MONTAGE DER GARKOMPONENTEN

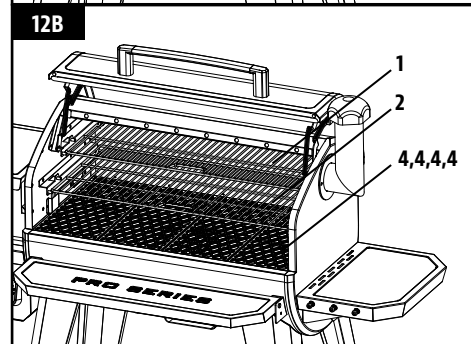
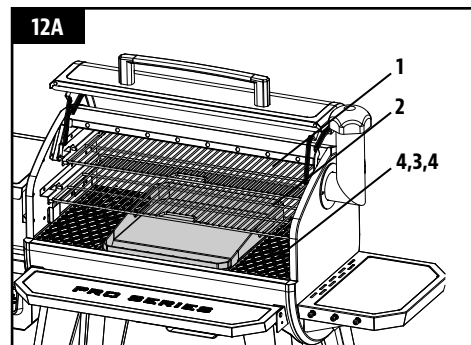
Erforderliche Teile:

- 1 x Oberes Gargitter (1)
- 1 x Mittleres Gargitter (2)
- 1 x Backblech (3)
- 4 x Grillroste (4)

Montage:

- Wählen Sie die gewünschte Hauptkochfläche: zwei Grillroste mit dem Backblech (dargestellt in 12A) oder vier Grillroste (dargestellt in 12B). Legen Sie die gewählte Kochflächenkombination auf die unteren Gitterleisten im Hauptgrill.
- Legen Sie als Nächstes den mittleren Grillrost auf die mittleren Leisten im Inneren des Hauptgrills. Legen Sie den oberen Grillrost auf die oberen Leisten im Inneren des Hauptgrills.

HINWEIS: Um die Leistung Ihrer Grill- und Gargitter beim Anbraten und Grillen zu erhalten, ist eine regelmäßige Pflege und Wartung erforderlich.



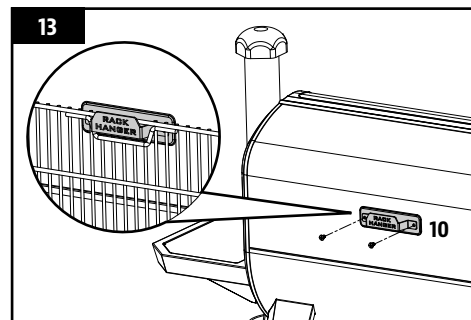
13. MONTAGE DER ROSTAUFHÄNGUNG

Erforderliche Teile:

- 1 x Aufhänger (10)

Montage:

- Befestigen Sie die Rostaufhängung mit den beiden vormontierten Schrauben an der Rückwand des Hauptfasses. Die Gargitter können bei Nichtgebrauch an der Rostaufhängung aufgehängt werden.



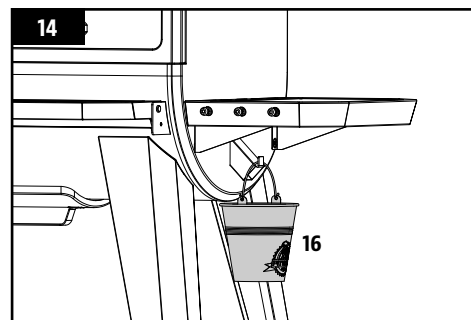
14. ANBRINGEN DES FETTEIMERS

Erforderliche Teile:

- 1 x Fetteimer (16)

Montage:

- Hängen Sie den Fetteimer an den Auslaufhaken am Ende des Hauptfasses. Achten Sie darauf, dass er so angebracht ist, dass kein Fett auslaufen kann.
- Das Gerät ist jetzt vollständig zusammengebaut.



15. ANBRINGEN DES NETZSTECKERS

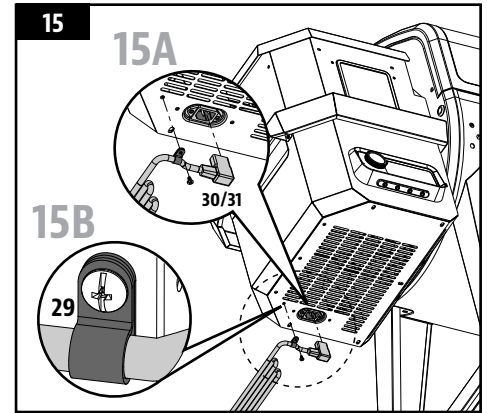
HINWEIS: Im Lieferumfang sind zwei Netzkabel enthalten. Wählen Sie das richtige Netzkabel für Ihre Region aus.

Erforderliche Teile:

- 1 x Netzkabelclip (29)
- 1 x Netzkabel (30 oder 31)

Montage:

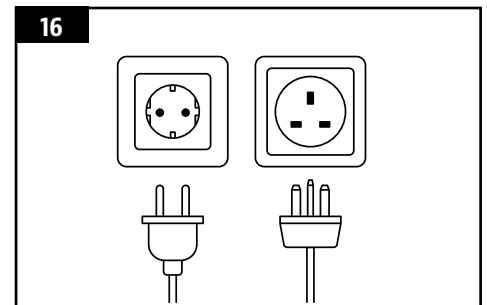
- Platzieren Sie den Netzkabelclip auf dem Netzkabel. Stecken Sie dann das Netzkabel in die Nut am Boden des Geräts. Siehe 15A.
- Befestigen Sie den Kabelclip wie abgebildet mit der vormontierten Schraube an der Bodenplatte. Siehe 15B.



16. ANSCHLUSS AN EINE STROMQUELLE

- **STANDARDSTECKDOSE**
Dieses Gerät benötigt 220 – 240 Volt, 50 Hz, 275 W. Erforderlich ist ein geerdeter Stecker mit 3 Stiften. Stellen Sie sicher, dass das geerdete Ende vor dem Gebrauch nicht abgebrochen wird. Die Steuerung ist mit einer flinken Sicherung (220 bis 240 Volt) ausgestattet, um das Panel vor der Zündung zu schützen.

WICHTIG: Trennen Sie das Gerät bei Nichtgebrauch von der Stromquelle.



BEDIENUNGSANLEITUNG

Nach dem heutigen Lebensstil wird eine gesunde und vollwertige Ernährung angestrebt. Ein Faktor, den es hierbei zu beachten gilt, ist die Reduzierung der Fettaufnahme. Eine der besten Möglichkeiten, in der Ernährung Fett zu reduzieren, sind fettarme Garverfahren wie das Grillen. Da beim Pelletgrill naturbelassene Holzpellets zum Einsatz kommen, nimmt das Fleisch beim Garvorgang eine aromatische Holznote an. Dadurch werden weniger Saßen mit hohem Zuckergehalt benötigt. In der gesamten Anleitung liegt die Betonung auf einem langsamen Garen bei NIEDRIGEN oder MITTLEREN Temperaturen, wie Sie feststellen werden.

GRILLUMGEBUNG

1. AUFSTELLEN DES GRILLS

Wie bei allen Geräten für den Außenbereich spielt das Wetter eine wichtige Rolle für die Grill-/Räucherleistung des Geräts und die Garzeit, die zur Zubereitung der Mahlzeiten notwendig ist.

Alle Pit Boss®-Geräte sollten in einem Mindestabstand von 914 mm (36 Zoll) von brennbaren Bauten aufgestellt werden. Dieser Mindestabstand muss während des gesamten Gebrauchs eingehalten werden. Dieses Gerät darf nicht unter einer brennbaren Decke oder einem brennbaren Vorsprung aufgebaut werden. Stellen Sie den Grill in einem Bereich auf, der frei von brennbaren Materialien, Benzin und anderen entzündlichen Gasen und Flüssigkeiten ist.

2. GAREN BEI KALTEM WETTER

Wenn es draußen kälter wird, heißt das nicht, dass die Grillsaison beendet ist! Die frische kalte Luft und der vorzügliche Duft nach geräuchertem Essen werden Ihnen dabei helfen, den Winter-Blues zu überwinden.

Wenn Sie diese Empfehlungen beachten, werden Sie während der kälteren Monate Freude an Ihrem Grill haben:

- Wenn das Räuchern bei geringen Temperaturen nicht gelingt, erhöhen Sie die Temperatur leicht, damit Sie dieselben Ergebnisse erzielen.
- Seien Sie gut organisiert: Bereiten Sie alles, was Sie benötigen, in der Küche vor, bevor Sie nach draußen gehen. Verlegen Sie Ihren Grillplatz im Winter an einen windgeschützten Ort, an dem Sie nicht in der direkten Kälte stehen. Überprüfen Sie die kommunalen Verordnungen zum Abstand zwischen dem Grill und/oder anderen Bauten. Stellen Sie alles auf ein Tablett, ziehen Sie sich warm an und machen Sie sich ans Werk!
- Um die Außentemperatur zu verfolgen, hängen Sie ein Außenthermometer in der Nähe des Grillbereichs auf. Führen Sie Buch darüber, was Sie zubereiten, über die Außentemperatur und die Garzeit. Das hilft Ihnen zu einem späteren Zeitpunkt bei der Entscheidung, was Sie grillen oder räuchern und wie lange Sie dafür veranschlagen müssen.
- Wenn das Wetter sehr kalt ist, verlängern Sie die Vorheizzeit um mindestens 20 Minuten.
- Vermeiden Sie es, den Deckel häufiger als notwendig anzuheben. Kalte Windböen können die Temperatur des Grills komplett herunterkühlen. Halten Sie den Servierzeitpunkt flexibel und geben Sie jedes Mal Garzeit zu, wenn Sie den Deckel öffnen.
- Stellen Sie eine warme Servierplatte bereit oder decken Sie den Teller ab, um das Essen warm zu halten, während Sie zurück ins Haus gehen.
- Ideale Gerichte für winterliches Kochen erfordern wenig Aufmerksamkeit, beispielsweise ein Braten, ganze Hähnchen, Rippchen und Truthahn. Vereinfachen Sie die Zubereitung des Essens weiter, indem Sie einfache Dinge wie Gemüse und Kartoffeln dazu servieren.

3. GAREN BEI HEISSEM WETTER

Wenn es draußen wärmer wird, verringert sich die Garzeit.

Halten Sie sich an folgende Empfehlungen und Sie werden während der heißen Monate Freude an Ihrem Grill haben:

- Senken Sie die Gartemperatur. Dadurch können Sie ein unerwünschtes Aufflammen vermeiden.
- Verwenden Sie ein Fleischthermometer, um die Kerntemperatur des Essens zu bestimmen. Dadurch bewahren Sie das Fleisch vor zu langem Garen und Austrocknen.
- Auch bei heißem Wetter ist es besser, mit geschlossenem Grilldeckel zu garen.
- Sie können das Grillgut warm halten, indem Sie es in Folie wickeln und in einer isolierten Kühltasche aufbewahren. Wenn Sie den Platz um die Folie mit zusammengeknüllter Zeitung ausstopfen, bleibt Ihr Essen 3 bis 4 Stunden warm.

GRILLTEMPERATURBEREICHE

Die Temperaturanzeige auf dem Steuerpanel stimmt möglicherweise nicht exakt mit dem Thermometer überein. Alle unten aufgeführten Temperaturangaben sind Richtwerte und werden von folgenden Faktoren beeinflusst: der Umwelttemperatur außen, der Windstärke und -richtung, der Qualität des verwendeten Pelletbrennstoffs, dem Öffnen des Deckels und der Menge des gegarten Essens.

- **HOHE TEMPERATUR (205-260 °C / 401-500 °F)**

Dieser Bereich eignet sich am besten zum scharfen Anbraten und Grillen bei sehr hohen Temperaturen. Nutzen Sie ihn zusammen mit der Feuerpfanne (Schieber), um bei indirekter oder direkter Flamme zu grillen. Wenn die **Feuerpfanne offen** ist, verwendet man die direkte Flamme, um „blaue“ Steaks, Grillgemüse, Knoblauchtosts usw. zuzubereiten! Wenn die **Feuerpfanne geschlossen ist**, zirkuliert die Luft im Fass, wodurch Konvektionswärme entsteht. Hohe Temperaturen werden auch zum Vorheizen des Grills, Abbrennen der Grillroste und zum Erreichen großer Hitze bei äußerst kalten Wetterbedingungen verwendet.

- **MITTLERE TEMPERATUR (135-180 °C / 275-356 °F)**

Dieser Bereich ist am besten zum Backen, Rösten und Finishing von langsam geräucherten Kreationen geeignet. Garen bei diesen Temperaturen reduziert die Wahrscheinlichkeit eines Fettbrandes stark. Vergewissern Sie sich, dass sich der Feuerpfannenschieber in der geschlossenen Position befindet und die Schlitzöffnungen abdeckt sind. Ein hervorragender Temperaturbereich, um in Bacon gewickelte Speisen zu garen, oder wenn Sie auf Vielseitigkeit und Kontrolle Wert legen.

- **NIEDRIGE TEMPERATUR (82-125 °C / 180-257 °F)**

Dieser Bereich ist für das langsame Braten, das Intensivieren des Raucharomas und das Warmhalten von Speisen geeignet. Sie erhalten ein stärkeres Raucharoma und saftiges Fleisch, wenn Sie es länger, aber bei niedrigeren Temperaturen garen (auch bekannt als **low and slow**). Sehr zu empfehlen für die Weihnachtsgans, den saftigen Osterbraten oder andere größere Feiern.

Räuchern ist eine Variation des echten Grillens und ist der größte Vorteil, den Ihnen das Grillen auf einem Holzpelletgrill bietet. **Heißes Räuchern**, ein anderer Name für „**low and slow**“-Garen, erfolgt am besten zwischen 82-125°C / 180-257 °F. Das beste Ergebnis erzielen Sie bei einem großen Stück Fleisch, Fisch oder Geflügel, das lange Garzeiten erfordert.

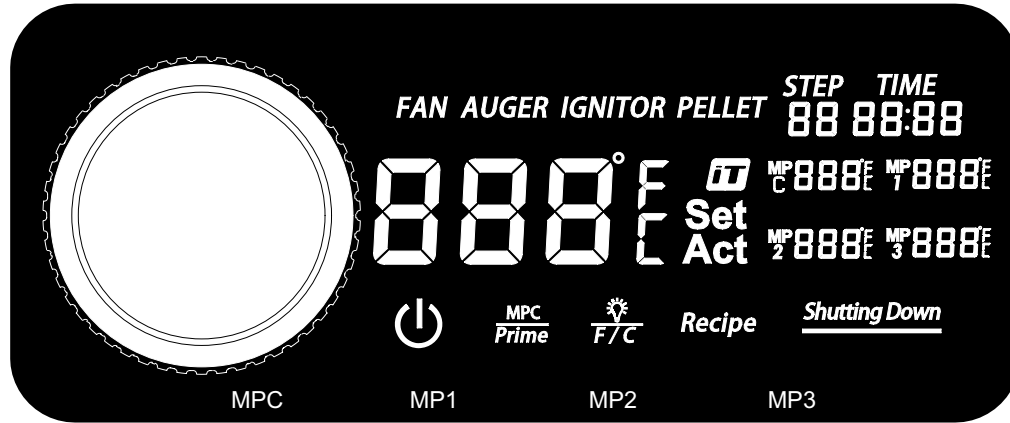
TIPP: Um das würzige Aroma zu intensivieren, schalten Sie sofort, nachdem Sie das Grillgut auf den Grill gelegt haben, auf den niedrigen Temperaturbereich. So kann der Rauch das Fleisch gut durchdringen.





Entscheidend ist, dass Sie mit der Räucherdauer vor Ende der Garzeit experimentieren. Einige Grillmeister ziehen es vor, am Ende des Garens zu räuchern, sodass das Essen bis zum Servieren warm bleibt. Übung macht den Meister!

FUNKTIONSWEISE DES STEUERPANELS

Dieses digitale PID- (Proportional-Integral-Differential-)Steuerpanel entspricht weitgehend den Bedienelementen Ihres Küchenofens. Der größte Vorteil ist die Fähigkeit, die verschiedenen Umgebungsbedingungen und Brennstoffarten automatisch auszugleichen.

WICHTIG: Die Temperatur im Inneren eines Grills ist stark ortsabhängig. Sogar Instrumente, die zusammen kalibriert wurden, stimmen möglicherweise nicht überein.



STEUERUNG	BESCHREIBUNG
	Drücken Sie diese Taste einmal, um das Gerät einzuschalten. Dadurch wird die automatische Startphase aktiviert. Halten Sie diese Taste drei Sekunden lang gedrückt, um das Gerät auszuschalten und die automatische Abkühlphase zu aktivieren. Die Taste leuchtet durchgehend weiß, wenn das Gerät an eine Stromquelle angeschlossen und eingeschaltet ist.
	Das Smoke iT® Symbol zeigt die WLAN-Konnektivität an. Wenn Sie nach einer WLAN- oder Bluetooth®-Verbindung suchen, blinkt das Smoke iT® Symbol. Sobald eine WLAN-Verbindung hergestellt werden konnte, leuchtet das Smoke iT® Symbol durchgehend. Wenn die Verbindung hergestellt ist, werden Live-Informationen zur tatsächlichen und gewünschten Temperatur des Grills, der Garzeit und der Temperatur des Fleischtemperaturfühlers angezeigt. Außerdem können Sie die Einstellungen Ihres Steuerpanels anpassen.
	Diese Taste hat zwei Funktionen: Auswahl der Temperatureinheiten und Lichtschalter. <ol style="list-style-type: none"> 1. Drücken Sie diese Taste kurz, um das Licht im Grillfass ein- und auszuschalten. 2. Halten Sie diese Taste drei Sekunden lang gedrückt, um den Schalter für die Temperatureinheiten zu aktivieren und die Temperaturanzeige zu ändern. Sie können nach Wahl zwischen Celsius (°C) und Fahrenheit (°F) wechseln. Die Standardeinstellung ist Celsius (°C).
	Diese Taste hat zwei Funktionen: Regelung des Fleischtemperaturfühlers (Meat Probe Control, MPC) und „Prime“-Knopf. <ol style="list-style-type: none"> 1. Ein kurzer Druck auf diese Taste aktiviert den programmierbaren Fleischtemperaturfühler, der den ersten Steckplatz für den Fleischtemperaturfühler (MPC) darstellt. Stellen Sie mit dem Drehregler die Temperatur des programmierbaren Fleischtemperaturfühlers ein. Drücken Sie den Reglerknopf erneut, um die Einstellungen des programmierbaren Fleischtemperaturfühlers zu bestätigen und zu beenden. 2. Halten Sie diese Taste drei Sekunden lang gedrückt, um eine manuelle kontinuierliche Pelletzufuhr zum Feuertopf zu aktivieren. Wenn Sie die Taste loslassen, wird die manuelle Zuführung von Pellets gestoppt. Verwenden Sie diese Funktion, um dem Feuer mehr Brennstoff zuzuführen, bevor der Fassdeckel geöffnet wird. Dadurch erreichen Sie eine schnelle Wiederaufheizzeit. Sie kann auch während des Räucherns genutzt werden, um die Intensität des reinen Raucharomas zu erhöhen. Diese Funktion war ein Wunsch von Wettbewerbskochern.

DE
DEUTSCHE



Der Drehregler dient dazu, einen Einstellwert zu erhöhen, zu verringern und auszuwählen. Drehen Sie den Regler, um die Zeit, die Temperatur oder einen Schritt in einem aktiven Einstellungsmenü auszuwählen. Drücken Sie den Regler, um den gewählten Wert zu bestätigen.



Die zentrale Anzeige zeigt die Ist- und die Solltemperatur an. Die Isttemperatur wird ständig angezeigt, es sei denn, die Solltemperatur wird angepasst. Die tatsächliche Temperatur entspricht der Temperatur im Inneren des Hauptfasses. Die angezeigte Isttemperatur wird von der Grillsonde (Sensor) im Grillfass gemessen.

Um die Solltemperatur anzuzeigen, drücken Sie auf den Regler. Die Solltemperatur ist aktiv, wenn die Anzeige blinkt. Um die Solltemperatur anzupassen, drehen Sie den Regler nach Wahl. Sobald die gewünschte Solltemperatur erreicht ist, drücken Sie den Regler, um diese zu bestätigen. Die Anzeige kehrt dann zur Isttemperatur zurück.

Recipe

Drücken Sie den Knopf einmal, um die Rezeptschritte zu aktivieren. Es können neun Rezeptschritte eingestellt werden. Passen Sie die Einstellungen der einzelnen Rezeptschritte mit dem Drehregler an.



Zeigt den aktuellen Rezeptschritt an.



Zeigt die während des Rezeptschritts eingestellte Zeit an. Drücken Sie die Rezepttaste, um die Rezepteinstellungen zu aktivieren. Verwenden Sie den Drehregler, um durch die Rezeptschritte zu wechseln. Eine davon ist die Zeit.



Zeigt die Ist- und Solltemperatur des programmierbaren Fleischtemperaturfühlers an, der den ersten Steckplatz für den Fleischtemperaturfühler (engl. Programmable Meat Probe, MPC) darstellt. Die Isttemperatur wird ständig angezeigt, es sei denn, die Solltemperatur wird angepasst. Wenn die MPC-Taste gedrückt wird, blinkt die Anzeige des gewählten Fleischtemperaturfühlers, und die eingestellte Temperatur kann angepasst werden. Trennen Sie den Fleischtemperaturfühler von der Verbindungsschnittstelle, wenn er nicht verwendet wird. Der Code „noP“ wird angezeigt. Nur kompatibel mit Fleischtemperaturfühlern der Marke Pit Boss® Grills.



Zeigt die Isttemperatur eines Fleischtemperaturfühlers an. Diese drei Fleischtemperaturfühleranzeigen entsprechen dem gewählten Steckverbindungsport. Trennen Sie den Fleischtemperaturfühler von der Verbindungsschnittstelle, wenn er nicht verwendet wird. Der Code „noP“ wird angezeigt. Nur kompatibel mit Fleischtemperaturfühlern der Marke Pit Boss® Grills.

Shutting Down

Diese Anzeige wird angezeigt, nachdem „Ausschalten“ ausgewählt wurde. Sie zeigt an, dass der automatische Abkühlungszyklus begonnen hat. Sobald der Abkühlungszyklus abgeschlossen ist, erlischt diese Anzeige.

FAN

Das LÜFTER-Symbol wird angezeigt, wenn der Lüfter in Betrieb ist. Wenn das LÜFTER-Symbol blinkt, liegt ein Lüfterfehler vor. Abhilfemaßnahmen finden Sie im Abschnitt zur Fehlerbehebung.

AUGER

Das FÖRDERSCHNECKE-Symbol wird angezeigt, wenn sich die Förderschnecke dreht. Wenn das FÖRDERSCHNECKE-Symbol blinkt, liegt eine Störung der Förderschnecke vor. Abhilfemaßnahmen finden Sie im Abschnitt zur Fehlerbehebung.

IGNITOR

Das ZÜNDGERÄT-Symbol ist sichtbar, wenn das Zündgerät in Betrieb ist. Wenn das ZÜNDGERÄT-Symbol blinkt, liegt ein Fehler des Zündgeräts vor. Abhilfemaßnahmen finden Sie im Abschnitt zur Fehlerbehebung.

PELLET

Wenn das PELLET-Symbol angezeigt wird, ist das Feuer im Feuertopf erloschen, oder die Pelletkammer ist leer. Abhilfemaßnahmen finden Sie im Abschnitt zur Fehlerbehebung.

FUNKTIONEN DES STEUERPANELS

· *EINSTELLEN DER GRILLTEMPERATUR*

Die Grillsonde misst die Temperatur im Inneren des Hauptfasses. Wenn die Solltemperatur angepasst wird, misst die Grillsonde die Isttemperatur im Hauptfass und passt sie an die gewünschte Solltemperatur an.

WICHTIG: Die Gerätetemperatur wird stark vom Wetter, der Qualität der verwendeten Pellets, dem Pelletaroma und der Menge des aufgelegten Garguts beeinflusst.

EINSTELLUNG/ANPASSUNG DER SOLLTEMPERATUR

Gehen Sie folgendermaßen vor, um die gewünschte Solltemperatur des Grills einzustellen:

1. Drücken Sie den Regler. Die Solltemperaturanzeige blinkt nun, um anzuzeigen, dass sie aktiv ist.
2. Passen Sie mit dem Regler die gewünschte Temperatur an.
3. Sobald die gewünschte Solltemperatur erreicht ist, drücken Sie den Regler, um diese zu bestätigen. Die Anzeige kehrt dann zur Isttemperatur zurück.

· *VERWENDUNG DES PROGRAMMIERBAREN FLEISCHTEMPERATURFÜHLERS*

Der Fleischtemperaturfühler misst die Kerntemperatur des Fleisches auf dem Grill, ähnlich wie bei Ihrem Ofen im Haus. Stecken Sie den Edelstahl-Fleischtemperaturfühler in die dickste Stelle des Fleisches. Die Innentemperatur des Fleisches wird auf der Anzeige des Steuerpanels angezeigt. Stecken Sie den Adapter für den Fleischtemperaturfühler in den Anschluss für den Fleischtemperaturfühler und prüfen Sie, dass er ganz eingesteckt ist. Sie hören und fühlen es einrasten. Dies gart nicht nur das Fleisch mit der gewünschten Temperatur, sondern reduziert auch automatisch die Grilltemperatur auf eine niedrige Temperatur (82 °C / 180 °F), um die Speisen bis zum Servieren warm zu halten. Stellen Sie die Temperatur einfach ein und entspannen Sie sich – der Fleischtemperaturfühler erledigt den Rest!

HINWEIS: Wenn Sie den Fleischtemperaturfühler ins Fleisch stecken, achten Sie darauf, dass der Fühler und sein Kabel nicht direkt in Kontakt mit dem Feuer oder übermäßiger Hitze kommen. Der Fleischtemperaturfühler kann sonst Schaden nehmen. Führen Sie das überflüssige Kabel aus der rückseitigen Abgasöffnung des Hauptfasses oder der Oberseite des Hauptfasses (in der Nähe des Scharniers des Grilldeckels) heraus, oder durch die vordere Öffnung in der Nähe der Pelletkammer. Wenn der Fleischtemperaturfühler nicht verwendet wird, trennen Sie ihn vom Verbindungsport und platzieren ihn in den Öffnungen am Griff der Pelletkammer, wo er geschützt ist und sauber bleibt.

EINSTELLEN/ANPASSEN DES PROGRAMMIERBAREN FLEISCHTEMPERATURFÜHLERS

Gehen Sie zur Programmierung der gewünschte Solltemperatur des programmierbaren Fleischtemperaturfühlers folgendermaßen vor:

1. Drücken Sie kurz die MPC-Taste, um den programmierbaren Fleischtemperaturfühler zu aktivieren. Wenn diese Funktion aktiv ist, blinkt die Temperaturanzeige des Fleischtemperaturfühlers.
2. Stellen Sie mit dem Regler erneut die gewünschte Solltemperatur ein.
3. Sobald die gewünschte Solltemperatur Ihres programmierbaren Fleischtemperaturfühlers erreicht ist, drücken Sie den Regler erneut, um die Einstellungen des programmierbaren Fleischtemperaturfühlers zu bestätigen und zu verlassen.

• EIN REZEPT EINSTELLEN

Mit der Rezeptfunktion kann der Benutzer Garanweisungen programmieren, die als Rezeptschritte bezeichnet werden. Diese werden dann von der Steuerplatine automatisch ausgeführt. Diese Garanweisungen sind eine Kombination von Gartemperatur und Zeit. Ab dem ersten Rezeptschritt (01) durchläuft die Steuertafel jeden Rezeptschritt, um das Gericht zuzubereiten. Wenn alle Rezeptschritte durchlaufen wurden, schaltet die Steuertafel automatisch auf eine niedrige Temperatur von 82 °C/180 °F, sodass die Mahlzeit warm bleibt, bis sie serviert werden kann. Es können insgesamt neun Rezeptschritte programmiert werden.

PROGRAMMIEREN EINES REZEPTSCHRITTS

Um eine oder mehrere Rezeptschritte einzustellen, führen Sie die folgenden Schritte aus:

1. Drücken und halten Sie die Rezepttaste. Dadurch blinkt die Rezepttaste, was anzeigt, dass die Rezepteinstellungen aktiv sind. Dadurch werden auch die Rezeptschritte aktiviert und der Buchstabe „S“ leuchtet, um anzuzeigen, dass er aktiv ist.
 - Verwenden Sie den Drehregler, um den Rezeptschritt auszuwählen. Beginnen Sie mit dem ersten Rezeptschritt (01).
 - Wenn der gewünschte Rezeptschritt erreicht ist, drücken Sie den Drehknopf, um zur nächsten Einstellung zu wechseln.
 2. Stellen Sie die Stunden ein. Die Stunden der Zeitanzeige blinken, um anzuzeigen, dass sie ausgewählt sind.
 - Stellen Sie mit dem Drehregler den gewünschten Stundenwert ein.
 - Wenn der gewünschte Stundenwert erreicht ist, drücken Sie den Drehknopf, um zur nächsten Einstellung zu wechseln.
 3. Stellen Sie die Minuten ein. Die Minuten der Zeitanzeige blinken, um anzuzeigen, dass sie ausgewählt sind.
 - Stellen Sie mit dem Drehregler den gewünschten Minutenwert ein.
 - Wenn der gewünschte Minutenwert erreicht ist, drücken Sie den Drehknopf, um zur nächsten Einstellung zu wechseln.
 4. Stellen Sie die Temperatur ein. Die zentrale Temperaturanzeige blinkt, um anzuzeigen, dass sie ausgewählt ist.
 - Stellen Sie mit dem Drehregler die gewünschte Temperatur ein.
 - Wenn die gewünschte Temperatur erreicht ist, halten Sie die Rezepttaste gedrückt, um alle Rezepteinstellungen für diesen Rezeptschritt zu speichern.
 - Um einen anderen Rezeptschritt einzustellen, drücken Sie kurz die Rezepttaste, um einen anderen Rezeptschritt auszuwählen und einen Garvorgang mit mehreren Rezeptschritten zu programmieren. Wiederholen Sie die obigen Schritte nach Bedarf.
- Oder:
- Drücken Sie die Rezepttaste ein zweites Mal und halten Sie sie, um die Rezepteinstellungen zu verlassen und das Rezept auszuführen. Die Rezepttaste hört auf zu blinken.

HINWEIS: Die Rezeptschritte werden zurückgesetzt, wenn das Gerät ausgeschaltet wird.

VERBINDEN MIT DER SMOKE IT® APP

Folgen Sie den Anweisungen, um Ihren Grill über Ihr Android™- oder iOS®-Gerät mit der Smoke iT® App zu verbinden. Mithilfe der App können Sie von Ihrem Mobilgerät aus die Grilleinstellungen und die Temperatur des Fleischtemperaturfühlers steuern und überwachen. Nutzen Sie die Vorteile der mobilen Konnektivität von Smoke IT®!

1. Laden Sie sich die Smoke iT® App herunter. Öffnen Sie die App und erlauben Sie für den Einstellvorgang die Aktivierung von Bluetooth®. Neue Benutzer müssen ein Konto einrichten und den Aufforderungen zur Anmeldung folgen.
2. Wenn Sie sich innerhalb der Bluetooth®-Reichweite (9 m / 30 ft) befinden, erkennt die Smoke iT® App Ihren Grill automatisch. Wählen Sie Ihr Grillmodell. Wenn Sie den Grill nicht auf dem Bildschirm sehen, prüfen Sie, ob Ihr Gerät mit einer Stromquelle verbunden und eingeschaltet ist.
3. Geben Sie Ihrem Grillmodell einen Namen (z. B. Mein Smoker) und wählen Sie unten auf der Seite „Verbinden“. Dadurch speichern Sie Ihr Grillmodell im Gerätemenü.
4. Wählen Sie im Gerätemenü durch Anklicken das Grillmodell, um eine Verbindung herzustellen. Daraufhin wird der Steuerpanel-Bildschirm angezeigt.
5. Klicken Sie auf Einstellungen (Zahnrad) in der rechten oberen Ecke, geben Sie Ihre WLAN-Anmeldedaten ein und aktivieren Sie das Auswahlkästchen unten auf dem Bildschirm, um eine Verbindung herzustellen. Jetzt erscheinen die beiden Symbole für Bluetooth® und WLAN (Cloud) im Gerätemenü, wodurch angezeigt wird, dass der Grill verbunden ist.

Während der Verwendung der App leuchtet der Bildschirm der App hell, wenn der Grill aktiv und verbunden ist. Wenn der Appbildschirm oder Grill im Gerätemenü dunkel wird, überprüfen Sie die WLAN-Verbindung oder die Stromquelle.

INITIALISIERUNG DER PELLETKAMMER

Diese Anweisungen gelten bei der ersten Zündung des Grills sowie jedes Mal, wenn die Pelletkammer leerläuft. Die Förderschnecke muss initialisiert werden, damit Pellets durch die Länge der Förderschnecke geleitet werden und das Zufuhrsystem gefüllt wird. **Wenn keine Initialisierung durchgeführt wird, läuft der Zündungstimer ab, bevor die Pellets angezündet sind, und es kommt kein Feuer in Gang.** Befolgen Sie diese Schritte zum Initialisieren der Pelletkammer:

1. Öffnen Sie den Deckel des Hauptfasses. Entfernen Sie alle Garkomponenten aus dem Inneren des Grills. Suchen Sie den Feuertopf unten im Hauptfass. Prüfen Sie den Feuertopf und stellen Sie sicher, dass kein Hindernis eine korrekte Zündung verhindert.
2. Verbinden Sie das Netzkabel mit der Stromversorgung. Drücken Sie den Ein-/Aus-Knopf, um das Gerät einzuschalten. Überprüfen Sie folgende Punkte:
 - Hören Sie, wie sich die Förderschnecke dreht? Halten Sie Ihre Hand über den Feuertopf und fühlen Sie den Luftstrom. Fassen Sie nicht mit der Hand oder den Fingern in den Feuertopf. Sie können sich verletzen.
 - Nach ungefähr einer Minute sollten Sie riechen, wie das Zündgerät brennt, und fühlen, wie sich die Luft im Feuertopf erwärmt. Die Zündspitze glüht nicht rot, wird aber äußerst heiß und verursacht Verbrennungen. Berühren Sie das Zündgerät nicht.
3. Wenn Sie die Funktionsfähigkeit aller elektrischen Komponenten überprüft haben, halten Sie die Ein-/Aus-Taste drei Sekunden lang gedrückt, um das Gerät auszuschalten.
4. Öffnen Sie den Deckel der Pelletkammer. Sorgen Sie dafür, dass sich keine Fremdoobjekte in der Pelletkammer oder im Zufuhrsystem zur Förderschnecke befinden. Füllen Sie die Pelletkammer mit trockenen, 100-prozentig naturbelassenen Hartholzpellets zum Grillen.
5. Drücken Sie den Ein-/Aus-Knopf, um das Gerät erneut einzuschalten. Der Startzyklus des Grills hat eine voreingestellte Temperatur von 176 °C / 350 °F und beginnt, sich aufzuheizen. Halten Sie den „Prime“-Knopf gedrückt, bis Sie (vom Schneckenrotor aus) Pellets im Inneren des Grills sehen. Sobald die Pellets anfangen, in den Feuertopf zu fallen, lassen Sie den „Prime“-Knopf los.
6. Halten Sie die Ein-/Aus-Taste drei Sekunden lang gedrückt, um das Gerät auszuschalten.
7. Setzen Sie die Garkomponenten wieder in das Hauptfass ein. Der Grill ist nun betriebsbereit.

ERSTE VERWENDUNG – AUSBRENNEN DES GRILLS

Wenn Sie die Pelletkammer initialisiert haben, ist es wichtig, dass Sie den Grill vollständig ausbrennen, bevor Sie zum ersten Mal Speisen damit zubereiten. Starten Sie den Grill und lassen Sie ihn (mit geschlossenem Deckel) 30 bis 40 Minuten bei Temperaturen über 176 °C / 350 °F brennen, um den Grill auszubrennen und Fremdstoffe zu beseitigen.

AUTOMATISCHES STARTEN

1. Verbinden Sie das Netzkabel mit einer geerdeten Stromversorgung. Öffnen Sie den Deckel des Hauptfasses. Prüfen Sie den Feuertopf und stellen Sie sicher, dass kein Hindernis eine korrekte Zündung verhindert. Öffnen Sie den Deckel der Pelletkammer. Sorgen Sie dafür, dass sich keine Fremdoobjekte in der Pelletkammer oder im Zufuhrsystem zur Förderschnecke befinden. Füllen Sie die Pelletkammer mit trockenen, 100-prozentig naturbelassenen Hartholzpellets zum Grillen.
2. Drücken Sie den Ein-/Aus-Knopf, um das Gerät einzuschalten. Dadurch wird der Startzyklus aktiviert. Das Förderschnecken-zufuhrsystem beginnt sich zu drehen, das Zündgerät beginnt zu glühen und der Lüfter versorgt den Feuertopf mit Luft. Der Grill beginnt, Rauch zu produzieren, während der Startzyklus abläuft. Der Fassdeckel muss während des Startzyklus offen bleiben. Zur Bestätigung, dass der Startzyklus richtig angelaufen ist, warten Sie auf ein flackerndes Röhren und achten Sie auf die Hitze, die produziert wird.
3. Sobald sich der schwere weiße Rauch verzogen hat, ist der Startzyklus abgeschlossen und Sie können den Grill auf der gewünschten Temperatur nutzen.

DEN GRILL AUSSTELLEN

1. Wenn der Garvorgang beendet ist, halten Sie den Hauptfassdeckel geschlossen und drücken Sie drei Sekunden lang den Ein-/Aus-Knopf, um das Gerät abzuschalten. Der Grill beginnt den automatischen Abkühlvorgang. Die Förderschneckeneinheit stoppt die Zufuhr von Brennmaterial, die Flamme brennt aus und der Lüfter läuft weiter, bis der Abkühlvorgang abgeschlossen ist.

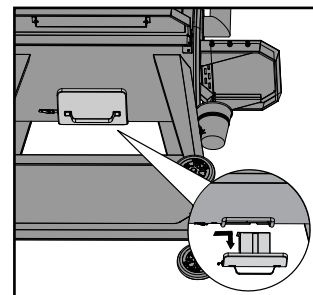
PFLEGE UND WARTUNG

WARNUNG: Trennen Sie immer das Netzkabel, bevor Sie den Grill zur Überprüfung, für Reinigungs-, Wartungs- oder Servicearbeiten öffnen. Stellen Sie sicher, dass der Grill komplett abgekühlt ist, um Verletzungen zu vermeiden.

Jedes Pit Boss® Gerät bietet Ihnen viele Jahre intensive Geschmackserlebnisse bei minimalem Reinigungsaufwand. Befolgen Sie die Pflege- und Wartungstipps, um den Grill zu warten:

1. ASCHELEERUNG

- An der Unterseite des Grillfasses befindet sich ein Ascheleerungssystem, das einfachen Zugang zum Inneren des Feuerkastens bietet und bei Bedarf seine mühelose Reinigung ermöglicht. Zum Entleeren lösen Sie den Schnappverschluss am Haken des Aschekastens. Halten Sie den Griff fest, schieben Sie den Aschekasten vom Schnappverschluss weg und ziehen Sie ihn nach unten, um ihn zu entfernen. Nach dem Entleeren setzen Sie den Aschekasten wieder ein, indem Sie ihn in den Boden des Grillfasses zurückheben, den Aschekasten in Richtung des Schnappverschlusses schieben und dann den Aschekastenhaken mit dem Schnappverschluss befestigen.



WARNUNG: Diese Funktion kann nur genutzt werden, wenn der Grill abgekühlt ist.

2. PELLETKAMMER-EINHEIT

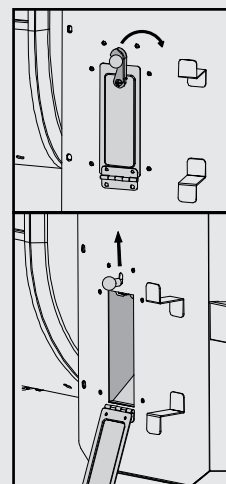
- Wenn Ihr Grill für einen längeren Zeitraum nicht genutzt wird, wird empfohlen, alle Pellets aus der Förderschneckeneinheit herauszubefördern. Lassen Sie dazu einfach den Grill bei leerer Pelletkammer laufen, bis alle Pellets aus dem Schneckenrog heraus transportiert wurden.
- Prüfen Sie die Lüfterzuluftöffnung am Boden der Pelletkammer auf Verschmutzungen und reinigen Sie sie. Sobald Sie die Abdeckung der Pelletkammer entfernt haben (siehe Abbildung im **Schaltplan**), wischen Sie sorgfältig alles Öl ab, das sich auf den Lüfterflügeln angelagert hat. Dadurch stellen Sie eine ausreichende Luftzufuhr für das Zufuhrsystem sicher.

FUNKTION ZUR LEERUNG DER PELLETKAMMER

Die Pelletkammer verfügt über eine Leerungsfunktion, durch die sie einfach gereinigt werden kann und die Möglichkeit bietet, die Aromen der Holzpelletbrennstoffe zu wechseln. Gehen Sie zum Leeren folgendermaßen vor:

1. Finden Sie die Leerungstür und den Türhaken auf der Rückseite der Pelletkammer.
2. Drehen Sie den Türhaken (oben) nach rechts, damit er sich vom Entriegelungsstäbchen löst. Stellen Sie einen sauberen, leeren Eimer unter die Leerungstür und lassen Sie die Tür absenken. Heben Sie das Entriegelungsstäbchen an, um die Fallschachtplatte zu öffnen, damit die Pellets aus der Pelletkammer fallen können.
3. Schieben Sie die Fallschachtplatte nach dem Entleeren mit der Hand wieder nach oben in Position. Sie rastet dann ein. Schließen Sie die Leerungstür und drehen Sie den Türhaken zurück auf das Entriegelungsstäbchen, um die Tür zu sichern.

HINWEIS: Verwenden Sie eine Bürste mit einem langen Griff oder saugen Sie die restlichen Pellets, das Sägemehl und den Schmutz durch das Pelletkammergitter, damit die Kammer vollständig geleert wird.



3. MESSFÜHLER

- Knicke des Fühlerkabels können Schäden verursachen. Ein Fleischtemperaturfühler, der nicht verwendet wird, sollte in großen lockeren Windungen aufgewickelt werden.
- Die Grillsonde und der Fleischtemperaturfühler sind aus Edelstahl. Geben Sie sie trotzdem nicht in die Spülmaschine und tauchen Sie sie nicht unter Wasser. Ein Wasserschaden an den internen Kabeln führt zu einem Kurzschluss des Messfühlers und ist eine Ursache von falschen Messwerten. Wenn ein Fühler beschädigt ist, muss er ausgetauscht werden.

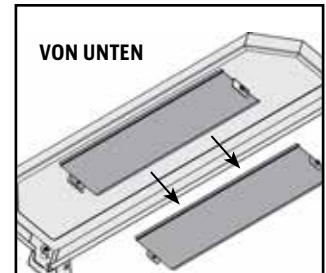
4. OBERFLÄCHEN INNEN

- Es wird empfohlen, den Feuertopf regelmäßig nach einigen Grilleinsätzen zu reinigen. Dadurch stellen Sie eine funktionierende Zündung sicher und vermeiden hartnäckige Schmutz- oder Ascheablagerungen im Feuertopf.
- Verwenden Sie eine Reinigungsbürste mit langem Griff und entfernen Sie alle Essensreste oder Ablagerungen von den Gargittern. Am besten erledigen Sie das, so lange die Rückstände noch warm vom vorherigen Garen sind. Fettbrände werden durch zu viel Schmutz verursacht, der auf die Garkomponenten des Grills gefallen ist. Reinigen Sie das Grillinnere regelmäßig. Halten Sie im Falle eines Fettbrandes den Grilldeckel geschlossen, um das Feuer zu ersticken. Wenn das Feuer nicht schnell erlischt, entfernen Sie vorsichtig das Essen, schalten Sie den Grill ab und schließen Sie den Deckel, bis das Feuer komplett ausgegangen ist. Streuen Sie etwas Backpulver hinein, wenn welches zur Hand ist.
- Prüfen Sie den Fetteimer häufig und reinigen ihn bei Bedarf. Denken Sie daran, auf welche Art Sie kochen.

WICHTIG: Decken Sie die Feuerpfanne oder Messfühler aufgrund der großen Hitze nicht mit Aluminiumfolie ab.

5. OBERFLÄCHEN AUSSEN

- Die vordere Ablage enthält an der Unterseite eine abnehmbare Platte, um die Reinigung zu erleichtern. Drücken Sie die Stützplatte von unten in Richtung des Hauptfasses, um sie zu entfernen. Reinigen Sie die Platte und schieben Sie sie dann wieder ein.
- Wischen Sie den Grill nach jedem Gebrauch ab. Verwenden Sie warmes Seifenwasser, um dem Fett zu Leibe zu rücken. Verwenden Sie keinesfalls Backofenreiniger, scheuernde Reinigungsmittel oder Metallschwämme auf den Grillaußenoberflächen. **Die lackierten Oberflächen sind nicht von der Garantie abgedeckt, sondern Teil der allgemeinen Pflege- und Wartungsroutinen.** Bei Farbkatzern, Abnutzung oder Abblättern des Lacks können alle lackierten Oberflächen mit hitzebeständigem Grillack ausgebessert werden.
- Verwenden Sie eine Grillabdeckung, um dem Grill einen Rundumschutz zu geben! Eine Abdeckung ist der beste Schutz gegen das Wetter und äußere Verunreinigungen. Wenn Sie den Grill nicht in Gebrauch haben oder er längere Zeit gelagert werden soll, stellen Sie ihn abgedeckt in einer Garage oder einem Schuppen unter.



ÜBERSICHT REINIGUNGSHÄUFIGKEIT (NORMALER GEBRAUCH)

GEGENSTAND	REINIGUNGSHÄUFIGKEIT	REINIGUNGSMETHODE
Unterseite des Hauptgrills	Nach jedem 5.-6. Grillen	Leerschaufeln, weiteren Schmutz mit Shop-Vac aussaugen
Feuertopf	Nach jedem 2.-3. Grillen	Leerschaufeln, weiteren Schmutz mit Shop-Vac aussaugen
Grillroste	Nach jedem Grillen	Rückstände abbrennen, mit Messingdrahtbürste abbürsten
Feuerpfanne	Nach jedem 5.-6. Grillen	Hauptblech mit Schieber abschaben, nicht abwaschen
Ablagen	Nach jedem Grillen	Scheuerschwamm und Seifenwasser
Fetteimer	Nach jedem Grillen	Scheuerschwamm und Seifenwasser
Zufuhrsystem Förderschnecke	Wenn der Pelletbeutel leer ist	Lassen Sie die Förderschnecke das Sägemehl heraustransportieren, so dass die Pelletkammer leer ist
Elektronische Teile Pelletkammer	Einmal im Jahr	Innen auswischen, Lüfterflügel mit Seifenwasser abwischen
Lüfterzuluftöffnung	Nach jedem 5.-6. Grillen	Abstauben, Scheuerschwamm und Seifenwasser
Grillsonde	Nach jedem 2.-3. Grillen	Scheuerschwamm und Seifenwasser

TIPPS UND TECHNIKEN

Lesen Sie diese hilfreichen Tipps und Techniken, die wir von Pit Boss®-Besitzern, unseren Mitarbeitern und Kunden wie Sie zusammengetragen haben, um Ihren Grill besser kennenzulernen:

1. LEBENSMITTELSICHERHEIT

- Halten Sie die Küche und den Garbereich sauber. Verwenden Sie andere Platten und Küchenutensilien für das gegarte Fleisch als die, die Sie für die Vorbereitung und den Transport des rohen Fleisches zum Grill benutzt haben. Das verhindert eine Übertragung von Bakterien. Jede Marinade oder Baste sollte ihre eigenen Utensilien haben.
- Halten Sie heiße Lebensmittel heiß (über 60 °C / 140 °F) und kalte Lebensmittel kalt (unter 3 °C / 37 °F).
- Eine Marinade sollte niemals für den späteren Gebrauch aufbewahrt werden. Wenn Sie sie mit dem Fleisch servieren möchten, achten Sie darauf, sie vor dem Servieren aufzukochen.
- Gekochte Speisen sollten nicht länger als eine Stunde in der Hitze stehen. Lassen Sie heiße Speisen nicht länger als zwei Stunden außerhalb des Kühlschranks stehen.
- Marinieren und tauen Sie Fleisch im Kühlschrank auf. Fleisch sollte nicht bei Zimmertemperatur oder auf der Arbeitsfläche aufgetaut werden. Ansonsten können sich Bakterien ansiedeln und sich in den warmen feuchten Lebensmitteln schnell vermehren. Waschen Sie ihre Hände sorgfältig mit heißem Wasser und Seife, bevor Sie mit den Essensvorbereitungen beginnen, sowie nachdem Sie frisches Fleisch, Fisch und Geflügel angefasst haben.

2. GARVORBEREITUNGEN

- Seien Sie vorbereitet oder **Mise en Place**. Das bezieht sich auf das Vorbereiten des Kochrezepts, Brennstoffs, Zubehörs, der Kochutensilien und aller Zutaten, die Sie am Grill benötigen, bevor Sie mit dem Garen beginnen. Lesen Sie außerdem das Rezept vollständig durch, bevor Sie den Grill anzünden.
- Eine Bodenmatte für den Grill ist sehr nützlich. Bei Missgeschicken im Umgang mit dem Grillgut und Bratspritzern würde eine Bodenmatte für den Grill den Terrassen- oder Verandaboden beziehungsweise die Bodenplatten vor möglichen Fettflecken und versehentlichen Spritzern schützen.

3. GAR-TIPPS UND -TECHNIKEN

- Damit das Fleisch ein intensiveres Raucharoma annimmt, garen Sie langsam und bei niedrigen Temperaturen (auch bekannt als **low and slow**). Fleisch verschließt seine Fasern, nachdem es eine Kerntemperatur von 49 °C / 120 °F erreicht hat. Eine gute Methode, um ein Austrocknen des Fleisches zu verhindern, ist das Auftragen von Feuchtigkeit mit einem Soßen-Mop oder einer Sprühflasche.
- Halten Sie den Deckel geschlossen, während Sie Ihre Fleischstücke scharf anbraten. Verwenden Sie immer ein Fleischthermometer, um die Kerntemperatur des Grillguts, das Sie zubereiten, zu bestimmen. Beim Räuchern von Lebensmitteln mit Hartholzpellets färbt sich Fleisch und Geflügel rosa. Das rosafarbene Band (nach dem Garen) wird als **Rauchring** bezeichnet und von Grillmeistern sehr geschätzt.
- Zuckerbasierte Soßen werden am besten gegen Ende der Garzeit aufgetragen, um ein Verbrennen und Aufflammen zu vermeiden.
- Lassen Sie Platz zwischen dem Grillgut und den Fassrändern, damit die Hitze gut zirkulieren kann. Auf einem überfüllten Grill benötigen die Grillstücke länger zum Garen.
- Verwenden Sie eine Grillzange zum Wenden des Fleisches und einen Pfannenwender für Burgerfleisch und Fisch. Wenn Sie dafür spitzes Kochbesteck wie eine Gabel nehmen, wird das Fleisch angestochen und der Fleischsaft tritt aus.
- Speisen in einer tiefen Auflaufform benötigen eine längere Garzeit als in einer flachen Bratpfanne.
- Es ist ratsam, das fertige Essen auf eine vorgewärmte Servierplatte zu legen, damit es warm bleibt. Rotes Fleisch wie Steak oder Braten sollte vor dem Servieren einige Minuten ruhen. Dadurch wandert der Fleischsaft, der durch die Hitze an die Oberfläche gestiegen war, zurück in die Mitte des Fleisches und das Fleisch ist aromatischer im Geschmack.

FEHLERBEHEBUNG

Die richtige Reinigung, Wartung und Verwendung eines sauberen und trockenen Qualitätsbrennstoffs verhindert weitverbreitete Betriebsprobleme. Wenn Ihr Pit Boss®-Grill schlecht brennt oder selten gebraucht wird, sind möglicherweise die folgenden Tipps zum Beheben der Probleme hilfreich. Für FAQs besuchen Sie www.pitboss-grills.com. Sie können sich für Hilfe auch an Ihren offiziellen Pit Boss®-Händler vor Ort oder den Kundendienst wenden.

WARNUNG: Trennen Sie stets das Netzkabel, bevor Sie den Grill zu Prüfungs-, Reinigungs-, Wartungs- oder Servicezwecken öffnen. Stellen Sie sicher, dass der Grill vollständig abgekühlt ist, um Verletzungen zu vermeiden.

PROBLEM	URSACHE	LÖSUNG
Stromversorgungslichter auf dem Steuerpanel leuchten nicht	Keine Verbindung mit der Stromquelle	Stellen Sie sicher, dass das Gerät an eine funktionierende Stromquelle angeschlossen ist. Setzen Sie den Schutzschalter zurück. Stellen Sie sicher, dass der GFCI mit einem Minimum von 10 Ampere läuft (siehe den Schaltplan für einen Zugang zu den elektrischen Komponenten) und alle Kabelverbindungen fest verbunden und trocken sind.
	Sicherung am Steuerpanel ausgelöst	Entfernen Sie die Zugangsabdeckung der Pelletkammer (siehe Abbildung im Schaltplan), drücken Sie die Plastikklappen, die das Steuerpanel arretieren, ziehen Sie die Steuerung vorsichtig in die Pelletkammer und lassen Sie sie los. Überprüfen Sie, ob in der Sicherung Kabelbruch vorliegt oder ob der Draht schwarz geworden ist. Wenn ja, muss die Sicherung manuell ausgetauscht werden.
	Fehlerhaftes Steuerpanel	Das Steuerpanel muss ausgetauscht werden. Kontaktieren Sie den Kundendienst für Ersatzteile.
Feuer im Brenntopf lässt sich nicht anzünden	Förderschnecke nicht initialisiert	Bevor das Gerät zum ersten Mal benutzt wird <u>sowie</u> jedes Mal, wenn die Pelletkammer vollständig geleert wurde, muss die Förderschnecke initialisiert werden, damit Pellets den Schneckenrog füllen. Wenn keine Initialisierung erfolgt ist, läuft der Zündstimer ab, bevor die Pellets zum Brenntopf transportiert wurden. Führen Sie die Initialisierung der Pelletkammer durch.
	Motor der Förderschnecke ist verstopft	Entfernen Sie die Garkomponenten aus dem Hauptfass. Drücken Sie die Ein-/Aus-Taste, um das Gerät einzuschalten, und kontrollieren Sie das Förderschnecken-Zufuhrsystem. Überzeugen Sie sich visuell, dass Pellets über die Förderschnecke in den Brenntopf fallen. Wenden Sie sich bei nicht ordnungsgemäßem Betrieb für Hilfe oder Ersatzteile telefonisch an den Kundendienst.
	Fehler des Zündgeräts	Entfernen Sie die Garkomponenten aus dem Hauptfass. Drücken Sie die Ein-/Aus-Taste, um das Gerät einzuschalten, und kontrollieren Sie das Zündgerät. Stellen Sie sicher, dass das Zündgerät funktioniert, indem Sie Ihre Hand über den Brenntopf halten und die Hitze fühlen. Überprüfen Sie visuell, dass das Zündgerät circa 13 mm/0,5 Zoll in den Brenntopf hineinragt. Wenden Sie sich bei nicht ordnungsgemäßem Betrieb für Hilfe oder Ersatzteile telefonisch an den Kundendienst.
Die Anzeige der tatsächlichen Temperatur wird nicht angepasst	Grillsonde verschmutzt	Befolgen Sie die Pflege- und Wartungsanweisungen.
	Grillsonde ist defekt	Die Grillsonde muss ersetzt werden. Wenden Sie sich an den Kundendienst.
Grill erreicht oder hält keine stabile Temperatur	Unzureichende Luftströmung durch Brenntopf	Prüfen Sie den Brenntopf auf Ascheablagerungen oder Blockierungen. Befolgen Sie die Pflege- und Wartungsanweisungen für Ascheablagerungen. Prüfen Sie den Lüfter. Stellen Sie sicher, dass er richtig arbeitet und die Luftzufuhr nicht blockiert ist. Befolgen Sie die Pflege- und Wartungsanweisungen , wenn Schmutz vorhanden ist. Überprüfen Sie, ob der Motor der Förderschnecke läuft, und stellen Sie sicher, dass der Schneckenrog innen nicht blockiert ist. Wenn Sie die oben aufgeführten Schritte durchgeführt haben, starten Sie den Grill, stellen Sie die Temperatur auf SMOKE und warten Sie 10 Minuten. Kontrollieren Sie, ob die Flamme hell ist und flackert.
	Fehlender Brennstoff, schlechte Brennstoffqualität, Störung im Zufuhrsystem	Prüfen Sie, dass in der Pelletkammer genug Brennstoff vorhanden ist, und füllen Sie gegebenenfalls Brennstoff nach. Falls die Qualität der Holzpellets schlecht ist oder die Pellets zu lang sind, kann dies zur Blockierung des Zufuhrsystems führen. Entfernen Sie die Pellets und befolgen Sie die Pflege- und Wartungsanweisungen .
	Grillsonde	Überprüfen Sie den Status der Grillsonde. Befolgen Sie die Pflege- und Wartungsanweisungen , wenn Schmutz vorhanden ist. Wenden Sie sich bei Beschädigungen an den Kundendienst, um Ersatzteile zu erhalten.

DE
DEUTSCHE

Grill produziert zu viel oder verfärbten Rauch	Fettablagerungen	Befolgen Sie die Pflege- und Wartungsanweisungen .
	Qualität Holzpellets	Entfernen Sie feuchte Holzpellets aus der Pelletkammer. Befolgen Sie zum Entleeren die Pflege- und Wartungsanweisungen . Ersetzen Sie sie mit trockenen Holzpellets.
	Brenntopf ist blockiert	Entfernen Sie feuchte Holzpellets aus dem Brenntopf. Führen Sie die Initialisierung der Pelletkammer durch .
	Unzureichende Luftzuführung für Lüfter	Prüfen Sie den Lüfter. Stellen Sie sicher, dass er richtig arbeitet und die Luftzufuhr nicht blockiert ist. Befolgen Sie die Pflege- und Wartungsanweisungen , wenn Schmutz vorhanden ist.
Häufiges Aufflammen	Gartemperatur	Versuchen Sie, mit niedrigeren Temperaturen zu grillen. Fett hat einen Flammpunkt. Halten Sie die Temperatur unter 176 °C / 350 °F, wenn Sie stark fetthaltiges Grillgut garen.
	Fettablagerungen auf Garkomponenten	Befolgen Sie die Pflege- und Wartungsanweisungen .
Fehlercode ErP	Gerät wurde bei letzter Verbindung mit der Stromquelle nicht korrekt abgeschaltet.	Sicherheitsfunktion verhindert einen automatischen Wiederanlauf. Halten Sie den Netzschalter drei Sekunden lang gedrückt, um das Gerät auszuschalten, warten Sie zwei Minuten. Drücken Sie dann erneut den Netzschalter, um das Gerät einzuschalten. Drehen Sie den Drehknopf auf die gewünschte Temperatur. Wenn der Fehlercode weiterhin angezeigt wird, wenden Sie sich an den Kundendienst.
	Stromausfall, während das Gerät in Gebrauch ist	
Fehlercode ErH	Das Gerät hat sich überhitzt, wahrscheinlich durch einen Fettbrand oder zu viel Brennstoff	Halten Sie den Netzschalter drei Sekunden lang gedrückt, um das Gerät auszuschalten und abkühlen zu lassen. Befolgen Sie die Pflege- und Wartungshinweise. Entfernen Sie nach der Wartung die Pellets und überprüfen Sie die Position aller Einzelteile. Sobald das Gerät abgekühlt ist, schalten Sie es mit der Ein-/Aus-Taste ein. Wählen Sie dann die gewünschte Temperatur. Wenn der Fehlercode weiterhin angezeigt wird, wenden Sie sich an den Kundendienst.
Fehlercode ErL	Grill führt keinen Einschaltzyklus durch	Überprüfen Sie die ordnungsgemäße Position der Garkomponenten. Prüfen Sie, ob sich genügend Brennstoff in der Pelletkammer befindet oder ob das Zufuhrsystem blockiert ist. Entfernen Sie die Pellets und befolgen Sie die Pflege- und Wartungsanweisungen . Überprüfen Sie die Grillsonde. Überprüfen Sie, ob die tatsächliche Temperatur korrekt und genau ist. Befolgen Sie die Pflege- und Wartungsanweisungen , wenn Schmutz vorhanden ist. Überprüfen Sie die Position des Zündgeräts und ob es sich richtig aufheizt. Bei extremer Kälte kann der Grill einen zweiten Start erfordern. Schalten Sie den Grill aus, warten Sie etwas und schalten Sie ihn wieder ein. Prüfen Sie den Lüfter. Stellen Sie sicher, dass er richtig funktioniert. Befolgen Sie die Pflege- und Wartungsanweisungen , wenn Schmutz vorhanden ist.
	Der Grill bleibt nicht beleuchtet	
Blinkendem PELLET-Fehlercode	Fehlender Brennstoff, schlechte Brennstoffqualität, verstopftes Zufuhrsystem, festsitzende Förderschnecke	Prüfen Sie, dass in der Pelletkammer genug Brennstoff vorhanden ist und füllen Sie gegebenenfalls Brennstoff nach. Falls die Qualität der Holzpellets schlecht ist oder die Pellets zu lang sind, kann dies zur Blockierung des Zufuhrsystems führen. Entfernen Sie die Pellets und befolgen Sie die Pflege- und Wartungsanweisungen .
Blinkendem IGNITOR-Fehlercode	Das Zündgerät funktioniert nicht korrekt und stellt keine Verbindung her	Entfernen Sie die Garkomponenten aus dem Hauptfass. Drücken Sie die Ein-/Aus-Taste, um das Gerät einzuschalten, und kontrollieren Sie den Anzünder. Stellen Sie sicher, dass der Anzünder funktioniert, indem Sie Ihre Hand über den Brandrost halten und die Hitze fühlen. Prüfen Sie visuell, dass der Anzünder mit dem Loch im Brandrost fluchtet und zum Anzünden der Pellets geöffnet ist. Wenden Sie sich bei nicht ordnungsgemäßen Betrieb für Hilfe oder Ersatzteile telefonisch an den Kundendienst.
	Fehler des Zündgeräts	Der Anzünder muss ausgetauscht werden. Kontaktieren Sie den Kundendienst für Ersatzteile.
Blinkendem AUGER-Fehlercode	Förderschnecke nicht initialisiert	Bevor das Gerät zum ersten Mal benutzt wird und jedes Mal, wenn die Pelletkammer vollständig geleert wurde, muss die Förderschnecke initialisiert werden, damit Pellets den Brenntopf füllen können. Wenn keine Initialisierung erfolgt ist, läuft der Timer des Anzünders ab, bevor sich die Pellets entzünden. Führen Sie die Initialisierung der Pelletkammer durch .
	Der Förderschneckenmotor ist blockiert und stellt keine Verbindung her	Entfernen Sie die Garkomponenten aus dem Hauptfass. Drücken Sie die Ein-/Aus-Taste, um das Gerät einzuschalten, und kontrollieren Sie das Förderschnecken-Zufuhrsystem. Überzeugen Sie sich visuell, dass Pellets über die Förderschnecke in den Brenntopf fallen. Wenden Sie sich bei nicht ordnungsgemäßen Betrieb für Hilfe oder Ersatzteile telefonisch an den Kundendienst.
Blinkendem FAN-Fehlercode	Der Lüfter arbeitet nicht richtig und stellt keine Verbindung her	Prüfen Sie den Lüfter. Stellen Sie sicher, dass er richtig arbeitet und die Luftzufuhr nicht blockiert ist. Entfernen Sie die Zugangsabdeckung der Pelletkammer (siehe Schaltplan für Abbildung) und überprüfen Sie die Lüfterkabel auf Beschädigungen. Befolgen Sie die Pflege- und Wartungsanweisungen , wenn die Lüfterblätter verschmutzt sind.

SCHALTPLAN

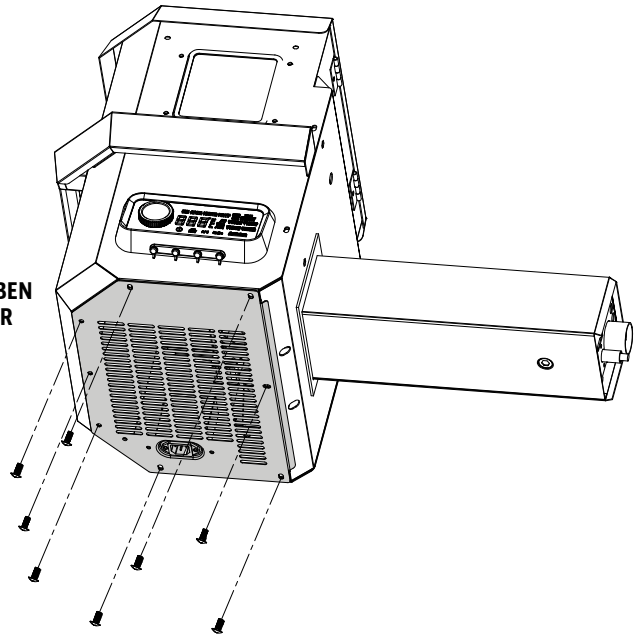
Das digitale Steuerpanel ist ein komplexes, wertvolles Stück Technik. Prüfen Sie zum Schutz vor Überspannung und Kurzschlüssen im unten abgebildeten Schaltplan, dass Ihre Stromquelle zum Betrieb des Geräts ausreicht.

PB – ELEKTRISCHE ANFORDERUNGEN

220-240 V, 50 Hz, 275 W, GEERDETES NETZKABEL

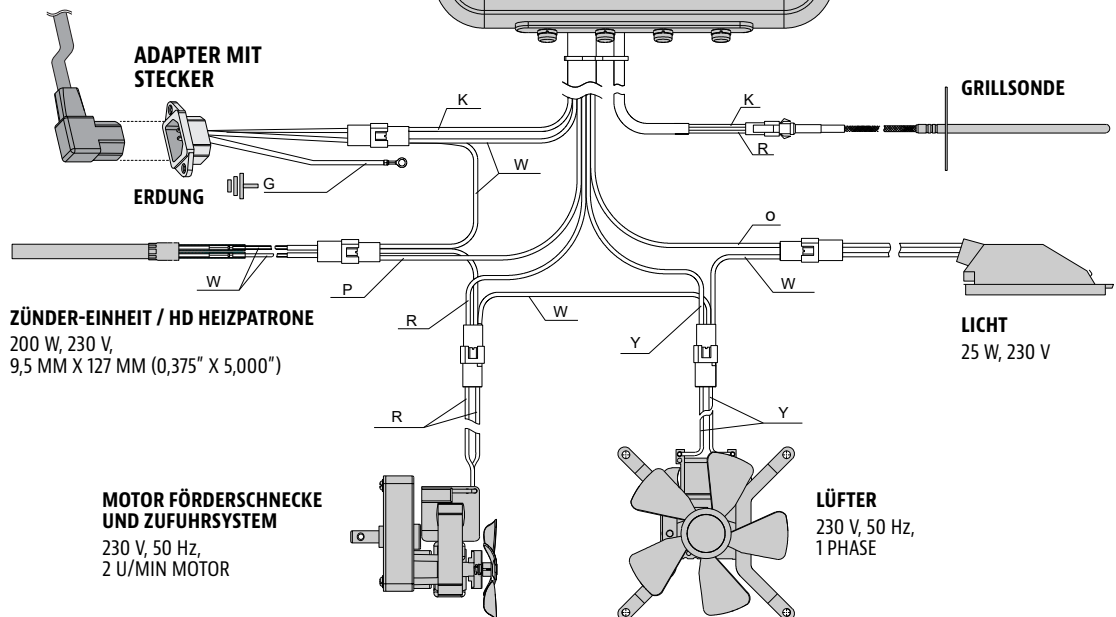
HINWEIS: Elektronische Komponenten, die Produktsicherheitstests bestanden haben und von Zertifizierungsdiensten zertifiziert wurden, besitzen eine Testtoleranz von ± 5-10 Prozent.

ENTFERNEN SIE DIE ACHT SCHRAUBEN DER ZUGANGSABDECKUNG AUF DER UNTERSEITE DER EINHEIT.



BRENNSTOFFZUFUHR-RATE:
2,0 KG/H (4,4 LB/H)

GEERDETES NETZKABEL

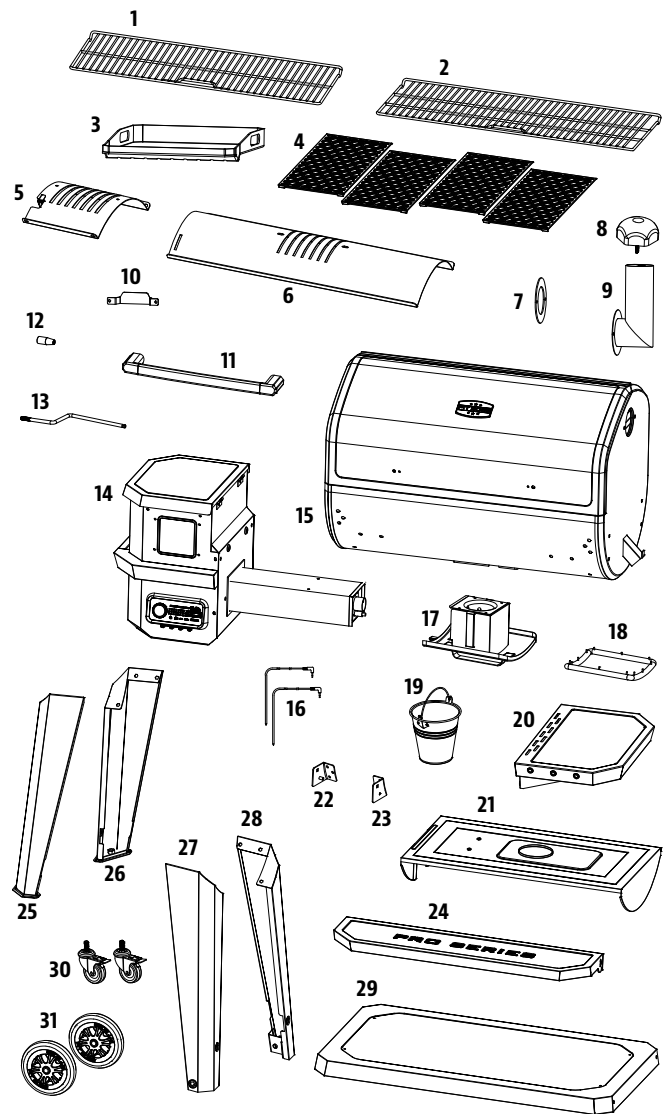


INDEX

K: SCHWARZ
W: WEISS
R: ROT
Y: GELB
P: VIOLETT
O: ORANGE
G: GRÜN

GRILLERSATZTEILE

Teilenummer	Beschreibung
1	Oberes Gargitter (x1)
2	Mittleres Gargitter (x1)
3	Backblech (x1)
4	Grillroste (x4)
5	Feuerpfannenschieber (x1)
6	Feuerpfannen-Hauptplatte (x1)
7	Rauchabzugsdichtung (x1)
8	Rauchabzugsdeckel (x1)
9	Rauchabzugssäule (x1)
10	Aufhänger (x1)
11	Deckelgriff (x1)
12	Feuerpfannen-Einstellstangenhalter (x1)
13	Einstellstange für die Feuerpfanne (x1)
14	Pelletkammer-Einheit (x1)
15	Hauptfass (x1)
16	Fleischtemperaturfühler (x2)
17	Aschekasten (x1)
18	Aschekastendichtung (x1)
19	Fetteimer (x1)
20	Seitliche Ablage (x1)
21	Diffusorplatte (x1)
22	Halterung der vorderen Ablage / links (x1)
23	Halterung der vorderen Ablage / rechts (x1)
24	Vordere Ablage (x1)
25	Linkes Stützbein - vorne (x1)
26	Linkes Stützbein - hinten (x1)
27	Rechtes Stützbein - vorne (x1)
28	Rechtes Stützbein - hinten (x1)
29	Untere Ablage (x1)
30	Feststellrollen (x2)
31	Rad (x2)
A	Schraube (x28)
B	Unterlegscheibe (x24)
C	Federring (x22)
D	Werkzeughaken (x3)
E	Radsteckerstift (x2)
F	Radunterlegscheibe (x2)
G	Radachsenbolzen (x2)
H	Schraube (x2)
I	Mutter (x2)
J	Buchse (x2)



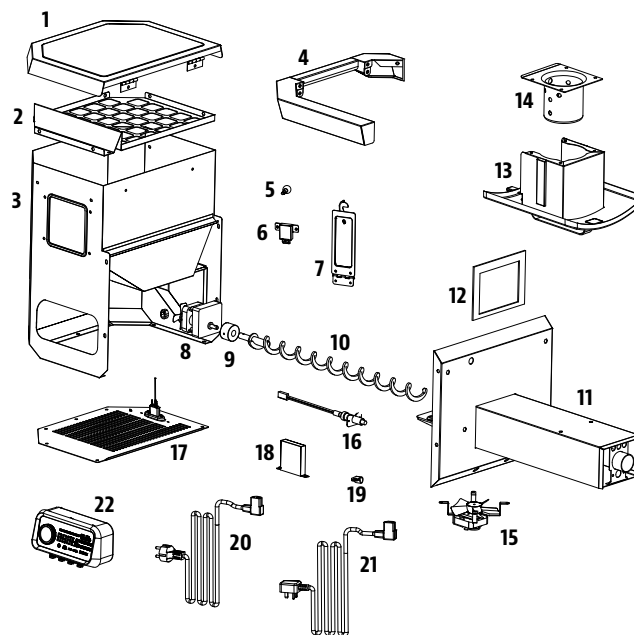
HINWEIS: Aufgrund der kontinuierlichen Produktweiterentwicklung können Teile ohne Ankündigung geändert werden.

DE

DEUTSCHE

PELLETKAMMER-ERSATZTEILE

Teilenummer	Beschreibung
1	Deckel Pelletkammer (x1)
2	Sicherheitsgitter Pelletkammer (x1)
3	Gehäuse Pelletkammer (x1)
4	Griff Pelletkammer (x1)
5	Griff der Füllrohrverriegelung (x1)
6	Füllrohr-Baugruppe (x1)
7	Füllrohtür (x1)
8	Motor Förderschnecke (x1)
9	Nylonbuchse (x1)
10	Gewindeeinheit Förderschnecke (x1)
11	Gehäuse Förderschnecke (x1)
12	Dichtung Pelletkammergehäuse (x1)
13	Aschekasten (x1)
14	Feuertopf (x1)
15	Verbrennungslüfter (x1)
16	Zündgerät (x1)
17	Zugangsabdeckung Pelletkammer (x1)
18	Wasserdichte Abdeckung des Netzkabels (x1)
19	Netzkabelclip (x1)
20	Netzkabel – F-Stecker (x1)
21	Netzkabel – G-Stecker (x1)
22	Steuertafel (x1)



DE

DEUTSCHE

GARANTIE

BEDINGUNGEN

Alle Holzpelletgrills von Pit Boss®, hergestellt von Dansons, verfügen ab Verkaufsdatum über eine beschränkte Garantie für den Originalkäufer. Die Garantie beginnt mit dem tatsächlichen Kaufdatum. Der Nachweis des Kaufdatums oder eine Kopie der Originalrechnung sind notwendig, um die Garantieansprüche zu belegen. Kunden haben die Kosten für Teile, den Versand und die Bearbeitung selbst zu tragen, wenn sie keinen Kaufnachweis vorlegen können oder die Garantie abgelaufen ist. Dansons gewährt fünf (5) Jahre Garantie für Mängel und Bearbeitungsfehler auf alle Teile und fünf (5) Jahre auf elektrische Komponenten. Dansons garantiert für die Nutzungs- und Eigentumsdauer des Originalkäufers, dass alle Teile frei von Material- und Verarbeitungsfehlern sind. Die Garantie deckt keine Schäden aufgrund von Verschleiß ab, zum Beispiel Kratzer, Dellen, Beulen, Absplitterungen oder geringfügige kosmetische Risse. Diese optischen Veränderungen des Grills haben keinen Einfluss auf seine Leistung. Die Reparatur oder der Ersatz jeglicher Teile verlängert den eingeschränkten Garantiezeitraum nicht über die fünf (5) Jahre ab Kaufdatum hinaus.

Für die Dauer der Garantie beschränkt sich die Verpflichtung von Dansons auf die Bereitstellung eines Ersatzes für fehlerhafte und/oder defekte Komponenten. Innerhalb des Garantiezeitraums berechnet Dansons keine Gebühren für die Reparatur oder den Ersatz von eingesendeten Teilen (bei vorausbezahlem Versand), wenn sich bei der Überprüfung durch Dansons herausstellt, dass die Teile fehlerhaft sind. Dansons haftet nicht für Versandgebühren, Arbeitskosten oder Ausfuhrzölle. Soweit in den Garantiebedingungen nichts Anderes festgelegt wurde, erfüllt die Reparatur oder der Ersatz der Teile in der Art und für die Dauer, die im Vorausgegangenen genannt wurden, alle direkten und abgeleiteten Verbindlichkeiten und Verpflichtungen, die Dansons Ihnen gegenüber hat.

Dansons ergreift alle Vorsichtsmaßnahmen und verwendet rosthemmende Materialien. Trotz dieser Sicherheitsmaßnahmen können die schützenden Beschichtungen durch verschiedenste Substanzen und Umstände, auf die Dansons keinen Einfluss hat, beschädigt werden. Hohe Temperaturen, zu hohe Feuchtigkeit, Chlor, industrielle Dämpfe, Düngemittel, Pflanzenschutzmittel für den Rasen und Salz sind einige der Substanzen, die Metallbeschichtungen angreifen können. Aus diesen Gründen erstreckt sich die Garantie nicht auf Rosten oder Oxidieren, es sei denn, die strukturelle Integrität der Grillkomponente geht verloren. Sollte einer der oben genannten Fälle eintreten, lesen Sie im Abschnitt Pflege und Wartung nach, wie die Lebensdauer Ihres Geräts verlängert werden kann. Dansons empfiehlt die Verwendung einer Grillabdeckung, wenn der Grill nicht in Gebrauch ist. Diese Garantie gilt bei normalem Privatgebrauch und normaler Wartung des Grills. Für einen Grill, der für kommerzielle Zwecke verwendet wird, gilt keine der Garantieleistungen.

AUSNAHMEN

Für Pit Boss Grills® gibt es keine schriftliche oder implizierte Leistungsgarantie, da der Hersteller keinen Einfluss auf den Aufbau, den Betrieb, die Reinigung, die Wartung oder die Art des verfeuerten Brennstoffs hat. Diese Garantie hat keine Gültigkeit und Dansons wird keine Verantwortung übernehmen, wenn Ihr Gerät nicht streng gemäß diesem Benutzerhandbuch aufgebaut, betrieben, gesäubert und gewartet wurde. Jede Verwendung von Gas, die nicht in diesem Handbuch beschrieben wird, kann den Verfall der Garantie nach sich ziehen. Die Garantie umfasst keine Bruchschäden oder Schäden aufgrund von Missbrauch, falscher Handhabung oder Modifizierungen. Weder Dansons noch autorisierte Pit Boss®-Händler übernehmen Verantwortung, rechtlich oder auf andere Weise, für Begleit- oder Folgeschäden am Eigentum oder an Personen, die durch die Verwendung des Produkts entstehen. Wenn aufgrund einer Verletzung dieser Garantie oder jeglicher anderen Art von Garantie, die das Gesetz vorsieht oder impliziert, ein Anspruch gegen Dansons erhoben wird, ist der Hersteller keinesfalls haftbar für Spezial-, Begleit-, Folge- oder andere Schäden jeglicher Art, die über den Originalkauf des Produkts hinausgehen. Alle Garantien des Herstellers sind hierin festgehalten und keinerlei Ansprüche sollen gegen den Hersteller erhoben werden ohne Garantie oder Stellungnahme. Einige Bundesstaaten erlauben keine Ausschlüsse oder Einschränkungen von Begleit- oder Folgeschäden oder Einschränkungen von impliziten Garantien. Daher gelten die Einschränkungen und Ausschlüsse, die in dieser beschränkten Garantie angeführten werden, möglicherweise nicht für Sie. Diese beschränkte Garantie gewährt Ihnen besondere gesetzliche Rechte. Sie haben möglicherweise weitere Rechte, die von Bundesstaat zu Bundesstaat unterschiedlich sein können.

ERSATZTEILE BESTELLEN

Zur Bestellung von Ersatzteilen wenden Sie sich an Ihren Pit Boss®-Händler vor Ort oder besuchen Sie unseren Online-Shop unter: www.pitboss-grills.com

WENDEN SIE SICH AN DEN KUNDENDIENST

Wenn Sie Fragen oder Probleme haben, wenden Sie sich an den Kundenservice unter: www.pitboss-grills.com

GARANTIESERVICE

Für Reparaturen oder Ersatzteile wenden Sie sich bitte an den nächsten Pit Boss® Händler. Dansons benötigt einen Kaufnachweis, um einen Garantieanspruch zu begründen. Bewahren Sie daher Ihren Originalkaufbeleg oder Ihre Rechnung zur zukünftigen Verwendung auf. Die Serien- und Modellnummer Ihres Pit Boss® finden Sie im Deckel der Pelletkammer. Notieren Sie die Zahlen unten, da das Etikett mit der Zeit abgegriffen oder unleserlich werden kann.

MODELL

SERIENUMMER

KAUFDATUM

AUTORISIERTER HÄNDLER

DE

DEUTSCHE

INFORMAZIONI SULLA SICUREZZA

LE CAUSE PRINCIPALI DEGLI INCENDI DEGLI APPARECCHI SONO UNA SCARSA MANUTENZIONE E IL MANCATO RISPETTO DELLE DISTANZE NECESSARIE DAI MATERIALI INFIAMMABILI. È DELLA MASSIMA IMPORTANZA CHE QUESTO PRODOTTO VENGA UTILIZZATO SOLO IN CONFORMITÀ ALLE ISTRUZIONI RIPORTATE DI SEGUITO.

Leggere e comprendere l'intero manuale prima di tentare di assemblare, azionare o installare il prodotto. In questo modo sarà possibile utilizzare in modo ottimale la nuova griglia a pellet di legno senza inconvenienti. Si consiglia inoltre di conservare questo manuale per riferimento futuro.

PERICOLI E AVVERTENZE

È necessario contattare l'associazione di proprietari, i funzionari del settore edilizia o i vigili del fuoco locali o l'autorità competente per ottenere i permessi necessari, il mandato o le informazioni su eventuali restrizioni per l'installazione, come l'installazione della griglia su una superficie infiammabile, i requisiti di ispezione o anche la possibilità di utilizzo nella propria area.

1. È necessario mantenere una distanza minima di 914 mm (36 pollici) dalle strutture combustibili ai lati della griglia e di 914 mm (36 pollici) dalla parte posteriore della griglia alle strutture combustibili. **Non installare l'apparecchio su pavimenti infiammabili o protetti da superfici infiammabili, a meno che non si ottengano permessi e autorizzazioni adeguati da parte delle autorità competenti.** Non utilizzare questo apparecchio in ambienti interni o in aree chiuse e non ventilate, all'interno di case, veicoli, tende, garage. Questo apparecchio a pellet di legno non deve essere posizionato sotto un soffitto o un oggetto sospeso infiammabile. Conservare la griglia in un'area sgombra da materiali infiammabili, benzina e altri vapori e liquidi infiammabili.

Se dovesse bruciare del grasso, spegnere la griglia e lasciare il coperchio chiuso fino a quando il fuoco non si spegne. Scollegare il cavo di alimentazione. Non gettare acqua sull'apparecchio. Non cercare di soffocare l'incendio. È utile tenere in loco un estintore approvato di qualsiasi classe (A, B o C). Se si verifica un incendio incontrollato, contattare il corpo dei vigili del fuoco.

2. Tenere cavi di alimentazione e combustibile lontano dalle superfici riscaldate. Non utilizzare la griglia sotto la pioggia o vicino a fonti d'acqua. Se il cavo di alimentazione è danneggiato, deve essere sostituito dal produttore, dal relativo servizio di assistenza o da personale qualificato per evitare rischi.
3. Dopo un periodo di conservazione o inutilizzo, controllare che il recipiente di combustione non presenti ostruzioni, che nella tramoggia non vi siano corpi estranei e che non vi siano ostruzioni intorno alla presa di aspirazione o al camino. Pulire prima dell'uso. Per prolungare la durata dell'unità è necessaria una manutenzione regolare. **Se la griglia viene conservata all'esterno durante la stagione delle piogge o quando l'umidità è elevata, adottare opportune precauzioni affinché l'acqua non penetri nella tramoggia.** Quando è bagnato o esposto a forte umidità, il pellet di legno si espande notevolmente, si decompone e può intasare il sistema di alimentazione. Scollegare sempre l'alimentazione prima di eseguire qualsiasi intervento di assistenza o manutenzione.

Non trasportare la griglia quando è in uso o è rovente. Assicurarsi che il fuoco sia completamente spento e che la griglia sia completamente fredda al tatto prima di spostarla.

4. Si consiglia di utilizzare guanti per barbecue o altri guanti resistenti al calore quando si utilizza la griglia. Non utilizzate accessori non specificati per l'uso con questo apparecchio. Non collocare coperture per barbecue o altro materiale infiammabile nel

ripiano sotto il barbecue.

5. Per evitare che dita, indumenti o altri oggetti vengano a contatto con il sistema di alimentazione della coclea, l'apparecchio è dotato di una protezione in metallo, montata all'interno della tramoggia. Questa protezione non deve essere rimossa a meno che non sia richiesto dal Servizio clienti o da un concessionario autorizzato.

Questa apparecchiatura può essere utilizzata da bambini di età pari o superiore a 8 anni e da persone con ridotte capacità fisiche, sensoriali o mentali o con scarsa esperienza e conoscenza, a condizione che siano sorvegliati o istruiti sull'uso sicuro dell'apparecchio e che ne comprendano i pericoli. I bambini non devono giocare con l'apparecchiatura. La pulizia e la manutenzione da parte dell'utente non devono essere effettuate da bambini senza sorveglianza.

6. Le parti della griglia possono essere roventi e possono provocare lesioni gravi. Tenere lontani i bambini e gli animali domestici durante l'uso.
7. Non allargare i fori del dispositivo di accensione o i recipienti di combustione. La mancata osservanza di questa avvertenza può causare un rischio di incendio e danni fisici e invalidare la garanzia.
8. Il prodotto potrebbe avere bordi o punti taglienti. Il contatto può causare lesioni. Maneggiare con cura.

SMALTIMENTO DELLE CENERI

Le ceneri devono essere collocate in un contenitore metallico con un coperchio a tenuta. Il contenitore delle ceneri chiuso deve essere collocato su un pavimento non infiammabile o al suolo, ben lontano da tutti i materiali infiammabili, in attesa dello smaltimento finale. Quando si smaltiscono le ceneri per interrimento o disperdendole in loco con altri metodi, dovrebbero essere tenute in un contenitore chiuso fino a quando le braci non si siano raffreddate completamente.

PELLET DI LEGNO

Questo apparecchio per la cottura a pellet è progettato e approvato solo per il legno pellettizzato completamente naturale. La combustione di qualsiasi altro tipo di combustibile in questo apparecchio invaliderà la garanzia e l'informativa sulla sicurezza. È necessario utilizzare solo pellet di legno naturale, studiato per la combustione in griglie per barbecue a pellet. Non utilizzare combustibile con additivi. I pellet di legno sono altamente sensibili all'umidità e dovrebbero essere conservati sempre in un contenitore ermetico. Quando si ripone la griglia inutilizzata per un periodo prolungato, consigliamo di eliminare tutti i pellet dalla tramoggia e dalla coclea per evitarne l'intasamento. Valore calorifico medio del pellet in 18608-20399,02 kJ/kg (8000-8770 BTU/LB), contenuto di ceneri <1%.

Non usare alcool, benzina, liquido infiammabile o cherosene per accendere o ravvivare il fuoco nella griglia. Durante l'uso, tenere questi liquidi lontano dall'apparecchio.

Al momento della stampa, non esiste uno standard industriale per i pellet di legno per barbecue, anche se la maggior parte dei mulini a pellet utilizza gli stessi standard per produrre pellet di legno per uso domestico. Per ulteriori informazioni, consultare il sito Web www.pelletheat.org o il *Pellet Fuel Institute*.

Contattare il rivenditore locale per informazioni sulla qualità dei pellet nella propria zona e sulla qualità del marchio. Poiché non vi è alcun controllo sulla qualità dei pellet utilizzati, o dei pellet umidi, non ci assumiamo alcuna responsabilità per i danni causati dalla scarsa qualità del combustibile.

CREOSOTO

Il creosoto, o fuliggine, è una sostanza simile al catrame. Quando brucia, produce fumo nero con un residuo anch'esso di colore nero. La fuliggine o il creosoto si formano quando l'apparecchio viene azionato in modo non corretto, ad esempio quando si verificano le seguenti condizioni: blocco della ventola di combustione, mancata pulizia e manutenzione dell'area di combustione, scarso tiraggio.

È pericoloso utilizzare questo apparecchio se la fiamma diventa scura, fuliginosa o se il recipiente di combustione è riempito eccessivamente di pellet. All'accensione, il creosoto produce una fiamma estremamente calda e incontrollata, simile a quella sprigionata dal grasso che brucia. In questo caso, SPEGNERE l'unità, lasciarla raffreddare completamente, quindi controllare se è necessario eseguire interventi di manutenzione e pulizia. Si accumula comunemente lungo le aree di scarico.

Se all'interno dell'unità si è formato del creosoto, lasciare che l'unità si riscaldi a bassa temperatura, spegnere l'apparecchio, quindi

eliminare qualsiasi accumulo con un asciugamano. Come il catrame, è molto più facile da pulire quando è caldo perché diventa liquido.

MONOSSIDO DI CARBONIO ("IL KILLER SILENZIOSO")

Il monossido di carbonio è un gas incolore, inodore e insapore prodotto dalla combustione di gas, legno, propano, carbone o altro combustibile. Il monossido di carbonio riduce la capacità del sangue di trasportare ossigeno. Bassi livelli di ossigeno nel sangue possono causare mal di testa, vertigini, debolezza, nausea, vomito, sonnolenza, confusione, perdita di coscienza o morte. Seguire le seguenti linee guida per evitare che questo gas incolore e inodore avveleni l'utilizzatore della griglia, la sua famiglia o altre persone:

- Consultare un medico se durante la cottura o in prossimità dell'apparecchio si avvertono sintomi simili a quelli del raffreddore o dell'influenza. L'avvelenamento da monossido di carbonio, che può essere facilmente scambiato per un raffreddore o un'influenza, viene spesso scoperto troppo tardi.
- Il consumo di alcol e droghe aumenta gli effetti dell'avvelenamento da monossido di carbonio.

Il monossido di carbonio è particolarmente tossico per la madre e il bambino durante la gravidanza, per i neonati, gli anziani, i fumatori e le persone con problemi del sangue o del sistema circolatorio, come l'anemia, o con malattie cardiache.

INFORMATIVA SULLA SICUREZZA

L'apparecchio è conforme agli standard EN 60335-2-102:2016, EN 60335-1:2012 + A11:2014 + A13:2017 + A1: 2019 + A14: 2019 + A2: 2019, EN62233: 2008, EN 55014-1:2017, EN IEC 61000-3-2:2019, EN 61000-3-3:2013+A1:2019, EN 55014-2:2015.



DICHIARAZIONE DI CONFORMITÀ FCC

Questo dispositivo è conforme alla Parte 15 delle norme FCC. Il funzionamento è soggetto alle due condizioni seguenti: (1) questo dispositivo non può causare interferenze dannose e (2) questo dispositivo deve accettare qualsiasi interferenza ricevuta, incluse le interferenze che potrebbero causare un funzionamento indesiderato.



Questa apparecchiatura è stata testata ed è risultata conforme ai limiti per un dispositivo digitale di Classe B, ai sensi della parte 15 delle norme FCC. Questi limiti sono progettati per assicurare una protezione ragionevole dalle interferenze dannose in un'installazione residenziale. Questa apparecchiatura genera, utilizza e può irradiare energia in radiofrequenza e, qualora non venga installata e utilizzata secondo le istruzioni, può causare interferenze dannose alle comunicazioni radio. Tuttavia, non vi è alcuna garanzia che non si verificheranno interferenze in determinate installazioni. Se questa apparecchiatura causa interferenze dannose alla ricezione radiofonica o televisiva, determinabili accendendo e spegnendo l'apparecchiatura, si consiglia all'utente di tentare una correzione dell'interferenza adottando una o più delle seguenti misure:

- Riorientare o riposizionare l'antenna ricevente.
- Aumentare la distanza tra l'apparecchiatura e il ricevitore.
- Collegare l'apparecchiatura a una presa su un circuito diverso da quello a cui è collegato il ricevitore.
- Consultare il rivenditore o un tecnico radio/TV qualificato per assistenza.

Attenzione: cambiamenti o modifiche non espressamente autorizzate dal soggetto responsabile della conformità potrebbero comportare la revoca dell'autorizzazione all'utente di utilizzare l'apparecchiatura.

Il marchio denominativo e il logo Bluetooth® sono marchi registrati di proprietà di Bluetooth® SIG, Inc. e qualsiasi uso di tali marchi da parte di Espressif è concesso in licenza. Altri marchi e nomi commerciali sono quelli dei rispettivi proprietari.



AVVISO SUL COPYRIGHT

Copyright 2021. Tutti i diritti riservati. Nessuna parte del presente manuale può essere copiata, trasmessa, trascritta, memorizzata in un sistema di recupero dati, in qualsiasi forma o con qualsiasi mezzo senza espressa autorizzazione scritta di

DANSONS EUROPA

11 Rue Galvani Parigi, Francia 75017

DANSONS NORD AMERICA

3411 North 5th Avenue, Suite 500, Phoenix, AZ, USA 85013

SERVIZIO CLIENTI

www.pitboss-grills.com

SOMMARIO

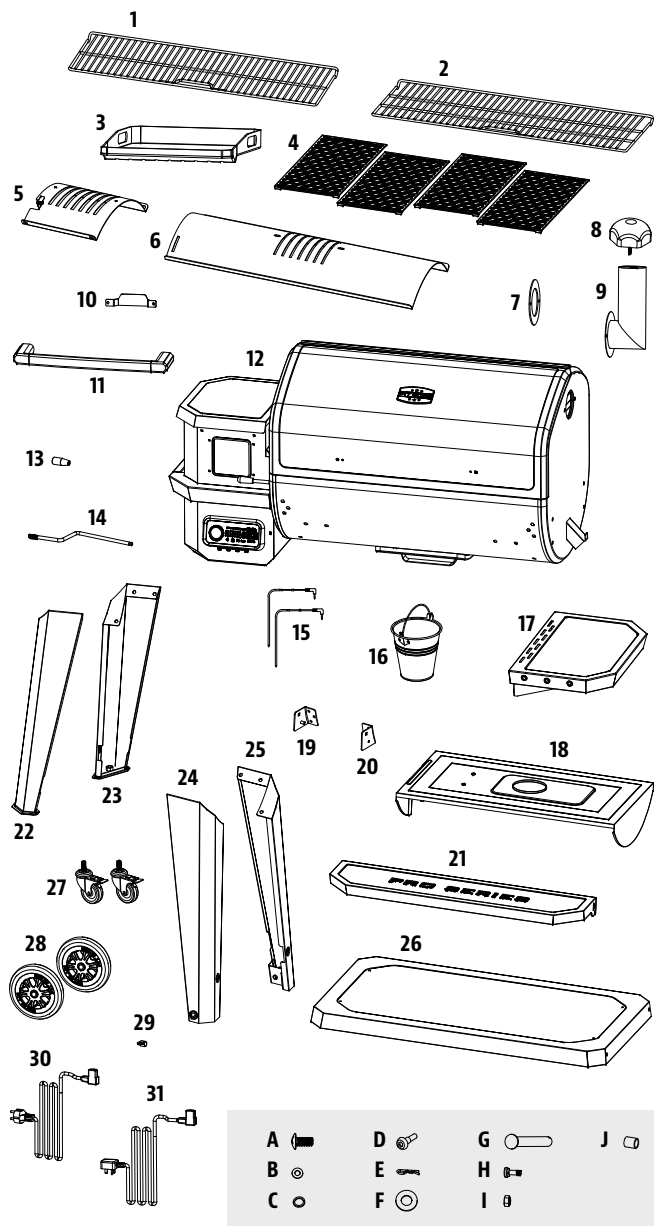
Informazioni sulla sicurezza	114
Parti e specifiche	118
Operazioni preliminari al montaggio	119
Istruzioni di montaggio	
Montaggio delle gambe sul cilindro principale	119
Installazione del ripiano inferiore	120
Aggiunta di ruote al carrello	120
Installazione del manico del coperchio	120
Assemblaggio del ripiano laterale	121
Montaggio del ripiano laterale	121
Fissaggio del camino	121
Fissaggio delle staffe del ripiano anteriore	122
Installazione del ripiano anteriore	122
Posizionamento della piastra di diffusione	122
Installazione dei componenti del parafiamma	123
Installazione dei componenti di cottura	124
Montaggio del gancio rastrelliera	124
Posizionamento del secchiello di raccolta grasso	124
Installazione del cavo di alimentazione	125
Collegamento a una fonte di alimentazione	125
Istruzioni operative	
Ambiente della griglia	126
Intervalli di temperatura della griglia	127
Come funziona la scheda di controllo	128
Funzioni della scheda di controllo	129
Connessione all'app Smoke iT®	131
Procedura di adescamento tramoggia	132
Primo utilizzo: sterilizzazione della griglia	132
Procedura di avvio automatico	132
Spegnimento della griglia	132
Cura e manutenzione	133
Suggerimenti e tecniche	135
Risoluzione dei problemi	136
Schema elettrico dei fili	138
Parti di ricambio	
Parti di ricambio griglia	139
Parti di ricambio tramoggia	140
Garanzia	141

IT

ITALIANO

PARTI E SPECIFICHE

N. parte	Descrizione
1	Rastrelliera di cottura superiore (x1)
2	Griglia di cottura centrale (x1)
3	Griglia (x1)
4	Griglie di cottura (x4)
5	Elemento scorrevole del parafiamma (x1)
6	Piastra principale del parafiamma (x1)
7	Guarnizione del camino (x1)
8	Coperchio del camino (x1)
9	Fumaiolo del camino (x1)
10	Gancio a rastrelliera (x1)
11	Maniglia del coperchio (x1)
12	Cilindro principale/Gruppo tramoggia (x1)
13	Pomello della barra di regolazione del parafiamma (x1)
14	Barra di regolazione del parafiamma (x1)
15	Sonda carni (x2)
16	Secchiello di raccolta grasso (x1)
17	Ripiano laterale (x1)
18	Piastra di diffusione (x1)
19	Staffa del ripiano anteriore / sinistra (x1)
20	Staffa del ripiano anteriore / destra (x1)
21	Ripiano anteriore (x1)
22	Supporto di sinistra - anteriore (x1)
23	Supporto di sinistra - posteriore (x 1)
24	Supporto di destra - anteriore (x1)
25	Supporto di destra - posteriore (x1)
26	Ripiano inferiore (x1)
27	Ruote girevoli bloccabili (x2)
28	Ruota (x2)
29	Copiglia cavo di alimentazione (x1)
30	Cavo di alimentazione - Spina F (x1)
31	Cavo di alimentazione - Spina G (x1)
A	Vite (x28)
B	Rondella (x24)
C	Rondella di bloccaggio (x22)
D	Gancio per gli utensili (x3)
E	Copiglia ruota (x2)
F	Rondella ruota (x2)
G	Perno asse ruota (x2)
H	Vite (x2)
I	Dado (x2)
J	Boccola (x2)



NOTA: per lo sviluppo continuo del prodotto, le parti sono soggette a modifiche senza preavviso. Contattare il Servizio clienti se le parti sono mancanti durante l'assemblaggio dell'unità.

PB - REQUISITI ELETTRICI
220-240 V, 50 Hz, 275 W, SPINA CON MESSA A TERRA

MODELLO	MONTAGGIO (LxPxA)	PESO	AREA COTTURA	INTERVALLO DI TEMPERATURA
PB PB1600PS1	1.587,5 x 813,5 x 1.400 MM / 62,50 x 32,03 x 55,12 POLLICI	110,0 KG / 242,5 LB	RASTRELLIERA SUPERIORE: 2.474,8 CM ² / 383,6 POLLICI ² CENTRALE - 3.249,6 CM ² / 503,7 IN ² PRINCIPALE - 4.587,1 CM ² / 711,0 POLLICI ² TOTALE - 10.311,5 CM ² / 1.598,3 POLLICI ²	82-260 °C / 180-500 °F

OPERAZIONI PRELIMINARI AL MONTAGGIO

Le parti si trovano in tutto il cartone di spedizione, anche sotto la griglia. Ispezionare la griglia, le parti e la confezione blister della viteria dopo la rimozione dal cartone di spedizione di protezione. Eliminare tutti i materiali di imballaggio all'interno e all'esterno della griglia prima del montaggio, quindi esaminare e ispezionare tutte le parti facendo riferimento all'elenco dei componenti. Se una parte è mancante o danneggiata, non tentare di assemblare il prodotto. I danni di spedizione non sono coperti dalla garanzia. Per le parti di ricambio, contattare il rivenditore o il Servizio clienti Pit Boss.

www.pitboss-grills.com

IMPORTANTE: per facilitare l'installazione, la presenza di due persone è utile (ma non necessaria) durante l'assemblaggio dell'unità.

Strumenti necessari per il montaggio: cacciavite e livella. *Attrezzi non inclusi.*



ISTRUZIONI DI MONTAGGIO

IMPORTANTE: prima di iniziare le operazioni di montaggio in base alle istruzioni, si consiglia di leggere interamente ogni passaggio. Non serrare completamente le viti fino a quando non siano state inserite tutte le viti per quel passaggio. La viteria che comprende una rondella di bloccaggio e un'altra rondella deve essere installata con la rondella di bloccaggio più vicina alla testa della vite.

1. MONTAGGIO DELLE GAMBE SUL CILINDRO PRINCIPALE

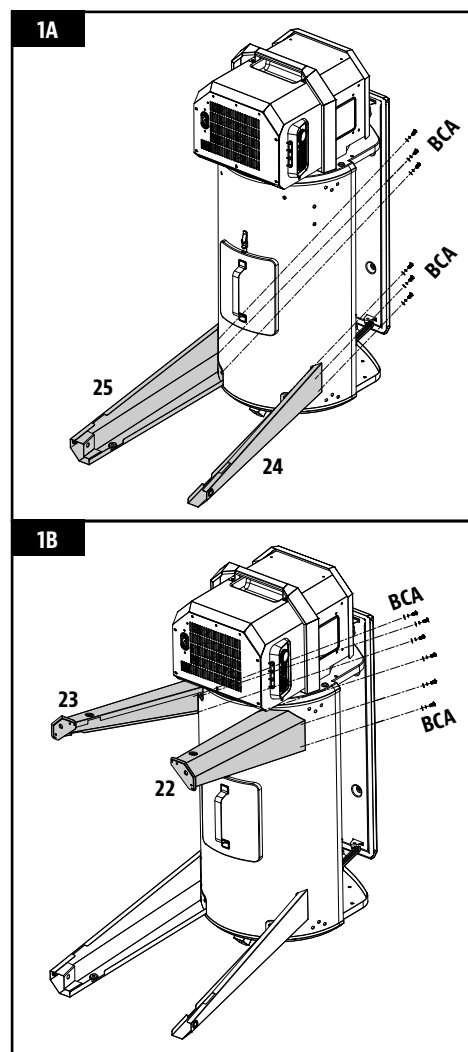
Parti necessarie:

- 1 x Cilindro principale/Gruppo tramoggia (n. 12)
- 1 x Supporto di sinistra - anteriore (n. 22)
- 1 x Supporto di sinistra - posteriore (n. 23)
- 1 x Supporto di destra / anteriore (n. 24)
- 1 x Supporto di destra / posteriore (n. 25)
- 12 x Vite (n. A)
- 12 x Rondella (n. B)
- 12 x Rondella di bloccaggio (n. C)

Installazione:

- Posizionare un pezzo di cartone sul pavimento per evitare di graffiare l'unità e i componenti durante il montaggio. Appoggiare il cilindro principale sul fianco sopra il pezzo di cartone, con l'estremità della tramoggia rivolta verso l'alto.
- Montare il supporto di destra anteriore sull'estremità del cilindro principale che poggia sul pavimento, utilizzando tre viti, rondelle di bloccaggio e rondelle, facendolo passare attraverso i tre fori già presenti. Installare le viti dall'interno del cilindro principale. Ripetere l'installazione il supporto di destra posteriore. Vedere la figura 1A.
- Successivamente, montare il supporto di sinistra anteriore sull'estremità del cilindro principale dove si trova la tramoggia, utilizzando tre viti, rondelle di bloccaggio e rondelle, facendolo passare attraverso i tre fori già presenti. Installare le viti dall'interno del cilindro principale. Ripetere l'installazione il supporto di sinistra posteriore. Vedere la figura 1B.

IMPORTANTE: non serrare completamente le viti fino a quando il ripiano inferiore non è stato installato nella fase successiva.



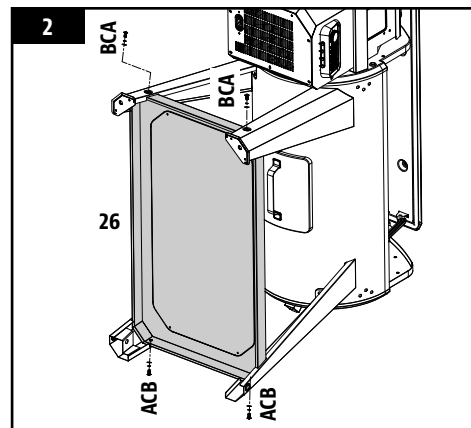
2. INSTALLAZIONE DEL RIPIANO INFERIORE

Parti necessarie:

- 1 x Ripiano inferiore (n. 26)
- 4 x Vite (n. A)
- 4 x Rondella (n. B)
- 4 x Rondella di bloccaggio (n. C)

Installazione:

- Montare il ripiano inferiore su ciascun supporto utilizzando una vite, una rondella di bloccaggio e una rondella. Assicurarsi che la superficie piana del ripiano sia rivolta verso l'alto, verso il cilindro della griglia.



3. AGGIUNTA DI RUOTE AL CARRELLO

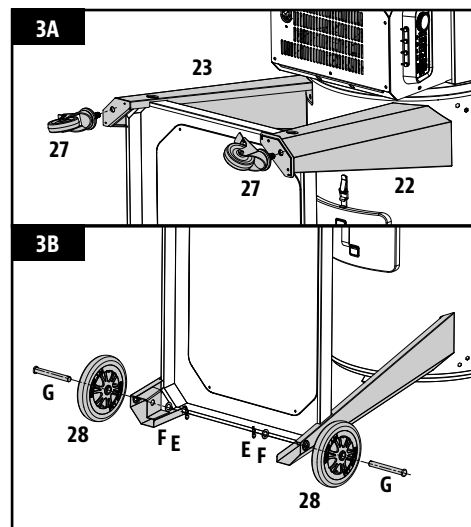
Parti necessarie:

- 2 x Ruote girevoli bloccabili (n. 27)
- 2 x Ruota (n. 28)
- 2 x Copiglia ruota (n. E)
- 2 x Rondella per ruota (n. F)
- 2 x Perno asse ruota (n. G)

Installazione:

- Inserire ciascuna delle ruote girevoli bloccabili nella parte inferiore del supporto sinistro serrandole a mano nel foro. Assicurarsi che ciascuna ruota girevole bloccabile sia inserita completamente. Vedere la figura 3A.
- Fissare ciascuna ruota a ciascun supporto destro inserendo il perno asse ruota prima nella ruota, quindi nel foro del supporto e poi nella rondella della ruota; infine fissare utilizzando la copiglia ruota. Vedere la figura 3B.
- Una volta fissato il ripiano, sollevare con cautela la griglia in posizione verticale.

IMPORTANTE: stringere nuovamente le viti del supporto per assicurarsi che siano completamente fissate dopo aver posizionato la griglia in posizione verticale.



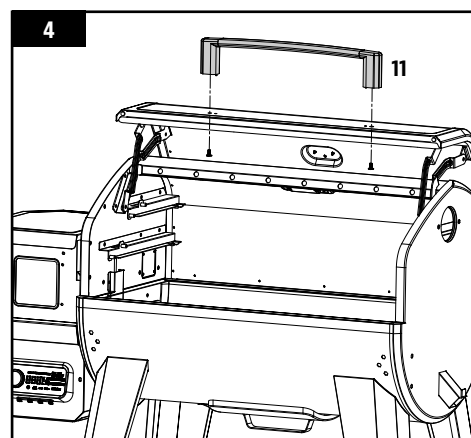
4. INSTALLAZIONE DEL MANICO DEL COPERCHIO

Parti necessarie:

- 1 x Manico del coperchio (n. 11)

Installazione:

- Rimuovere le viti preinstallate dal manico del coperchio. Dall'interno del coperchio del cilindro, inserire una vite facendola sporgere verso l'esterno, quindi stringere a mano la vite (dall'interno) nell'impugnatura del coperchio. Ripetere la stessa installazione per l'altra estremità della maniglia del coperchio.



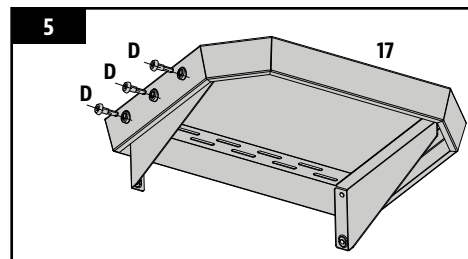
5. ASSEMBLAGGIO DEL RIPIANO LATERALE

Parti necessarie:

- 1 x Ripiano laterale (n. 17)
- 3 x Ganci per gli utensili (n. D)

Installazione:

- Capovolgere il ripiano laterale. Sul bordo del ripiano laterale con tre fori, installare i ganci per gli utensili in ciascun foro lungo il bordo. I ganci per gli utensili si fisseranno al dado premontato all'interno.



6. MONTAGGIO DEL RIPIANO LATERALE

Parti necessarie:

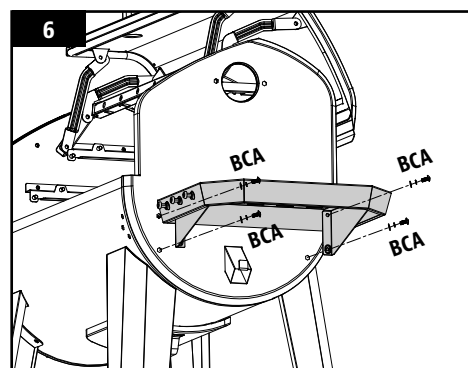
- 4 x Vite (n. A)
- 4 x Rondella di bloccaggio (n. C)
- 4 x Rondella (n. B)

Installazione:

- Dal basso, fissare il ripiano laterale al pannello laterale del cilindro principale utilizzando quattro viti, rondelle di bloccaggio e rondelle.

Nota: non serrare completamente le viti fino a quando non sono state inserite tutte. Una volta installate tutte le viti, serrarle saldamente.

IMPORTANTE: evitare di usare i ripiani per muovere o sollevare la griglia. Il peso dell'unità potrebbe causare la rottura del ripiano laterale, che non è coperta da garanzia.



7. FISSAGGIO DEL CAMINO

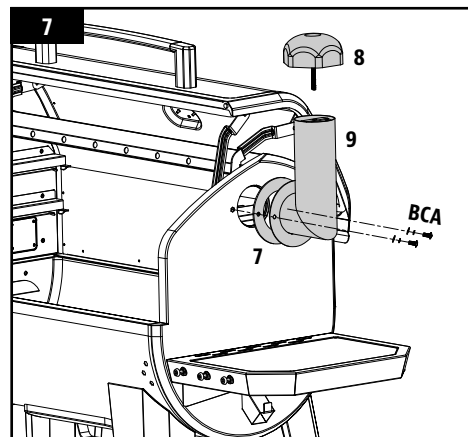
Parti necessarie:

- 1 x Guarnizione del camino (n. 7)
- 1 x Coperchio del camino (n. 8)
- 1 x Fumaiolo del camino (n. 9)
- 2 x Vite (n. A)
- 2 x Rondella di bloccaggio (n. C)
- 2 x Rondella (n. B)

Installazione:

- Posizionare l'apertura del camino sul lato del cilindro principale. Dall'esterno, fissare la guarnizione e il fumaiolo del camino al pannello laterale utilizzando due viti, rondelle di bloccaggio e rondelle. La vite si assicurerà al dado premontato all'interno del cilindro.
- Quindi, fissare il coperchio del camino sulla parte superiore del fumaiolo del camino, ruotando la vite del coperchio del camino nel fumaiolo del camino.

NOTA: sistemare il coperchio del camino per regolare il flusso d'aria all'interno della griglia principale. Se si cucina a bassa temperatura, tenere il coperchio più aperto. Assicurarsi che il coperchio del camino consenta la fuoriuscita dell'aria.



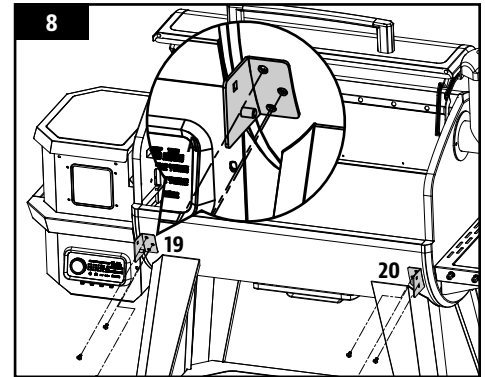
8. FISSAGGIO DELLE STAFFE DEL RIPIANO ANTERIORE

Parti necessarie:

- 1 x Staffa del ripiano anteriore / sinistra (n. 19)
- 1 x Staffa del ripiano anteriore / destra (n. 20)
- 6 x Vite (n. A)

Installazione:

- Fissare una staffa del ripiano anteriore sulla parte anteriore del cilindro della griglia utilizzando tre viti. Avvitare a metà ogni vite, quindi serrarle completamente quando tutte e tre le viti saranno inserite e allineate correttamente.
- Ripetere la stessa installazione per l'altra staffa del ripiano anteriore.



9. INSTALLAZIONE DEL RIPIANO ANTERIORE

Parti necessarie:

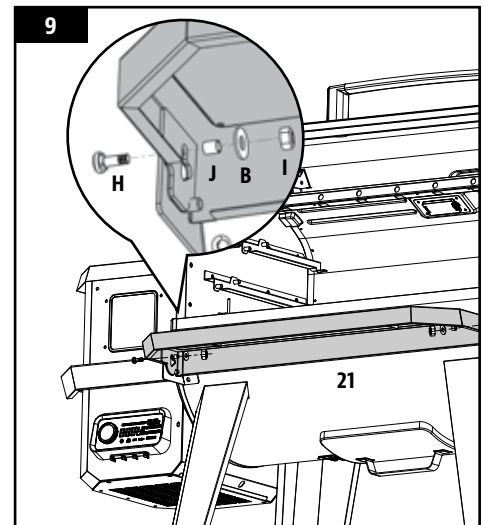
- 1 x Ripiano anteriore (n. 21)
- 2 x Rondella (n. B)
- 2 x Vite (n. H)
- 2 x Dado (n. I)
- 2 x Boccola (n. J)

Installazione:

- Da sotto, inserire la vite (dall'esterno) nella staffa del ripiano anteriore e nel ripiano anteriore, quindi aggiungere la boccola sulla vite, la rondella, quindi il dado. Ripetere l'installazione per l'altro lato del ripiano anteriore.

NOTA: se installato correttamente, il ripiano anteriore può essere facilmente sollevato (per l'uso) e abbassato (per essere riposto).

IMPORTANTE: evitare di usare i ripiani per muovere o sollevare la griglia. Il peso dell'unità potrebbe causare la rottura del ripiano laterale, che non è coperta da garanzia.



10. POSIZIONAMENTO DELLA PIASTRA DI DIFFUSIONE

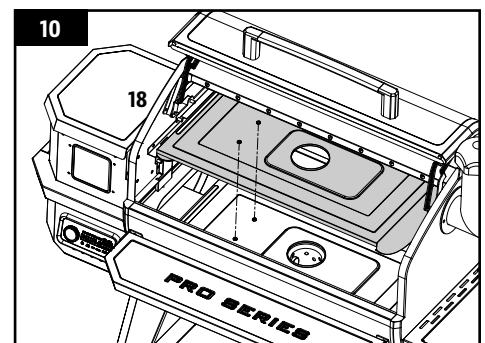
Parti necessarie:

- 1 x Piastra di diffusione (n. 18)

Installazione:

- Posizionare la piastra del diffusore nel cilindro principale in modo che l'apertura centrale sia allineata direttamente con il bruciatore circolare sulla base del cilindro principale.

NOTA: la piastra del diffusore non richiede il fissaggio.



11. INSTALLAZIONE DEI COMPONENTI DEL PARAFIAMMA

Parti necessarie:

- 1 x Elemento scorrevole del parafiamma (n. 5)
- 1 x Piastra principale del parafiamma (n. 6)
- 1 x Maniglia della barra di regolazione del parafiamma (n. 13)
- 1 x Barra di regolazione del parafiamma (n. 14)

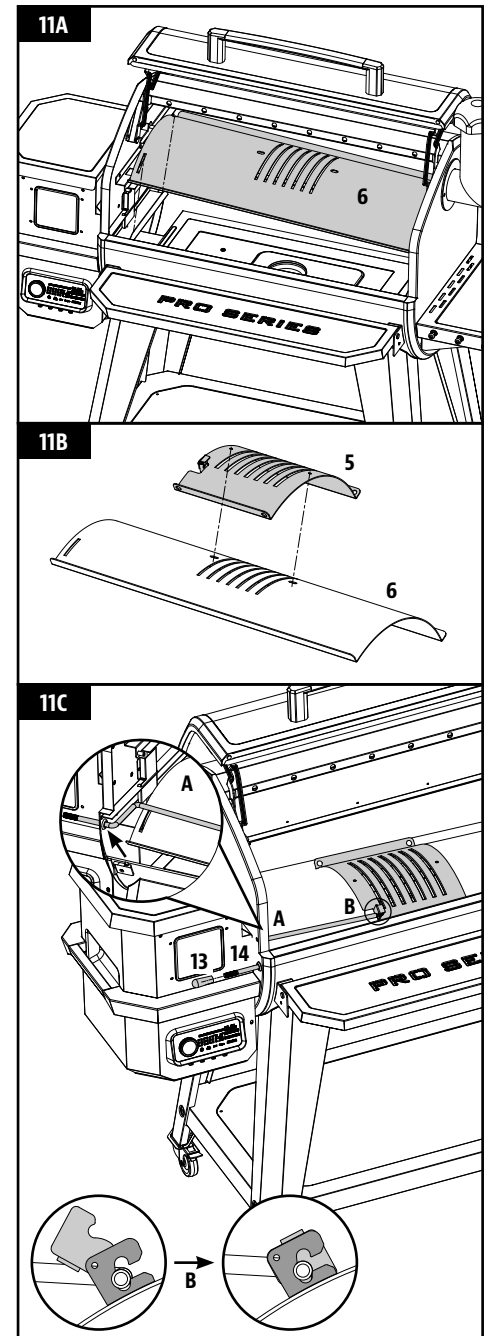
Installazione:

- Inserire la piastra principale del parafiamma nella griglia principale, iniziando da destra. Appoggiare la piastra principale del parafiamma sulla sporgenza (all'interno a destra) della griglia principale che fa defluire il grasso verso il secchiello di raccolta grasso. Far scorrere tutto il pezzo a sinistra. Le due fessure sulla piastra principale del parafiamma si inseriranno nella sporgenza arrotondata al di sopra il bruciatore. La parte si troverà in posizione leggermente angolata verso il basso. Vedere la figura 11A.

IMPORTANTE: se la piastra principale del parafiamma si trova alla base del cilindro, è installata correttamente. La piastra principale del parafiamma deve essere inclinata, con il lato sinistro più in alto di quello destro. Una cattiva installazione di questa parte può causare danni al cilindro della griglia principale.

- Posizionare l'elemento scorrevole del parafiamma sopra la piastra principale del parafiamma, coprendo le scanalature. Assicurarsi che la linguetta sollevata sia a sinistra, per regolare facilmente la fiamma diretta o indiretta durante la cottura. Vedere la figura 11B. Entrambe le parti del parafiamma sono leggermente cosparse di olio per evitare la formazione di ruggine durante la spedizione.
- Quindi, rimuovere la maniglia della barra di regolazione del parafiamma dalla barra. Inserire la barra di regolazione del parafiamma attraverso il foro di apertura sul lato sinistro del cilindro principale. Aggiungere di nuovo la maniglia della barra di regolazione del parafiamma sul lato esterno del cilindro. Successivamente, far scorrere l'estremità dentellata della barra di regolazione nella linguetta di bloccaggio sull'elemento scorrevole del parafiamma che fornisce un accesso regolabile all'elemento scorrevole del parafiamma sulla piastra principale. Vedere i passaggi nella figura 11C.

NOTA: quando l'elemento scorrevole del parafiamma è aperto e si utilizza la fiamma diretta, non lasciare mai la griglia incustodita.



12. INSTALLAZIONE DEI COMPONENTI DI COTTURA

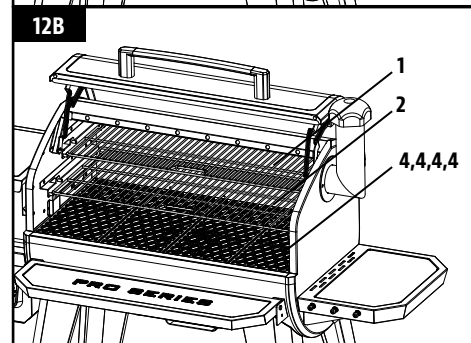
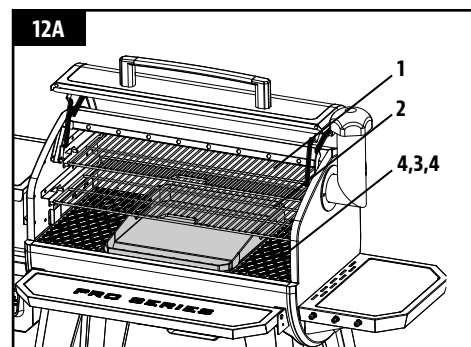
Parti necessarie:

- 1 x Rastrelliera di cottura superiore (n. 1)
- 1 x Griglia di cottura centrale (n. 2)
- 1 x Griglia (n. 3)
- 4 x Griglie di cottura (n. 4)

Installazione:

- Scegliere la superficie di cottura principale desiderata: due griglie di cottura con griglia (figura 12A) o quattro griglie di cottura (figura 12B). Posizionare la combinazione di superficie di cottura prescelta sulle sporgenze della griglia inferiore all'interno della griglia principale.
- Quindi, posizionare la griglia di cottura centrale sui bordi centrali all'interno della griglia principale. Posizionare la rastrelliera di cottura superiore sui bordi superiori all'interno della griglia principale.

NOTA: per mantenere le prestazioni di rosolatura e cottura delle griglie e rastrelliere di cottura, sono necessarie cura e manutenzione regolari.



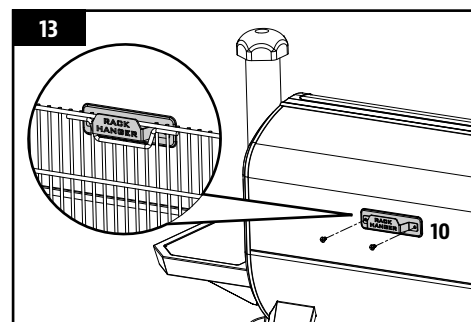
13. MONTAGGIO DEL GANCIO RASTRELLIERA

Parti necessarie:

- 1 x gancio rastrelliera (n. 10)

Installazione:

- Fissare il gancio rastrelliera al pannello posteriore del cilindro principale utilizzando le due viti di preassemblaggio. I ripiani di cottura possono essere appesi al gancio rastrelliera quando non sono in uso.



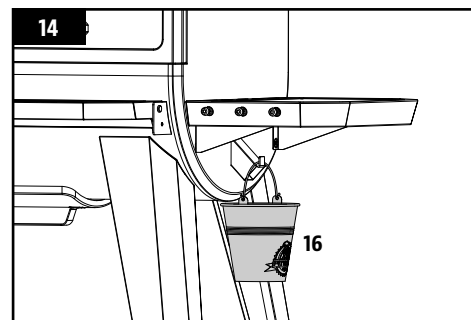
14. POSIZIONAMENTO DEL SECCHIELLO DI RACCOLTA DEL GRASSO

Parti necessarie:

- 1 x Secchiello di raccolta grasso (n. 16)

Installazione:

- Posizionare il secchiello di raccolta grasso sul gancio del beccuccio all'estremità della cilindro principale. Assicurarsi che sia a livello per evitare fuoriuscite di grasso.
- L'unità è ora completamente assemblata.



15. INSTALLAZIONE DEL CAVO DI ALIMENTAZIONE

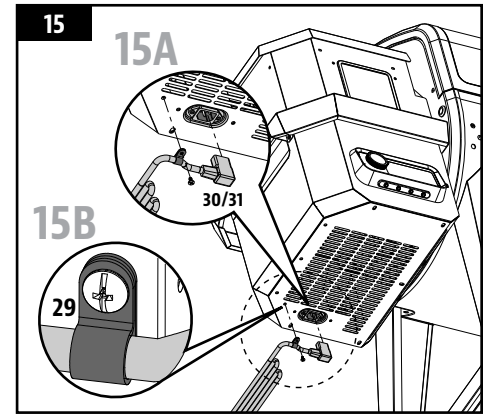
NOTA: vengono forniti due cavi di alimentazione. Selezionare il cavo di alimentazione richiesto per l'area geografica di utilizzo.

Parti necessarie:

- 1 x Copiglia cavo di alimentazione (n. 29)
- 1 x Cavo di alimentazione (n. 30 o n. 31)

Installazione:

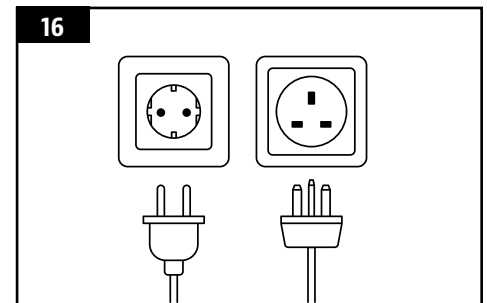
- Posizionare la copiglia del cavo di alimentazione sul cavo di alimentazione. Quindi, inserire il cavo di alimentazione nella scanalatura sul fondo dell'unità. Vedere figura 15A.
- Fissare la copiglia del cavo di alimentazione al pannello inferiore utilizzando la vite preinstallata, come mostrato. Vedere figura 15B.



16. COLLEGAMENTO A UNA FONTE DI ALIMENTAZIONE

- **PRESA STANDARD**
Questo apparecchio va alimentato a 220-240 Volt, 50 Hz, 275 W. Richiede un connettore con messa a terra. Prima dell'uso, accertarsi che l'estremità dotata di messa a terra non sia danneggiata. Nella scheda di controllo è inserito un fusibile ad azione rapida da 220-240 Volt per proteggere la scheda dal dispositivo di accensione.

IMPORTANTE: scollegare l'unità dalla fonte di alimentazione quando non è in uso.



ISTRUZIONI OPERATIVE

Con l'attuale tendenza a un'alimentazione sana e nutriente, un fattore da considerare è l'importanza di ridurre l'assunzione di grassi. Uno dei modi migliori per ridurre il grasso nella dieta è quello di utilizzare un metodo di cottura a basso contenuto di grassi, come la cottura alla griglia. Quando la griglia a pellet funziona con pellet di legno naturale, il sapore deciso del legno penetra nelle carni, riducendo la necessità di utilizzare salse ad alto contenuto di zuccheri. In questo manuale, si pone in risalto la cottura lenta degli alimenti a temperature BASSE o MEDIE.

AMBIENTE DELLA GRIGLIA

1. DOVE ALLESTIRE LA GRIGLIA

Come per tutti gli elettrodomestici all'aperto, le condizioni meteorologiche esterne svolgono un ruolo importante per le prestazioni della griglia e il tempo di cottura necessario per una cottura perfetta.

Tutte le unità Pit Boss® devono rispettare una distanza minima di 914 mm (36 pollici) dalle strutture infiammabili e questa distanza deve essere mantenuta quando la griglia è in funzione. Questa apparecchiatura a pellet di legno non deve essere posizionata sotto un soffitto od oggetti infiammabili sospesi. Conservare la griglia in un'area sgombra da materiali infiammabili, benzina e altri vapori e liquidi infiammabili.

2. COTTURA QUANDO FA FREDDO

Anche se fuori rinfresca, la stagione dei barbecue non è certo finita! L'aria fresca e la fragranza paradisiaca degli alimenti affumicati sono un rimedio ai malumori invernali.

Seguire questi suggerimenti su come utilizzare la griglia durante i mesi più freddi:

- Se non si riesce ad affumicare alle basse temperature, aumentare leggermente la temperatura per ottenere gli stessi risultati.
- Organizzarsi - Preparare tutto l'occorrente in cucina prima di uscire all'aperto. Durante l'inverno, spostare la griglia in un'area non esposta al vento e al freddo diretto. Controllare le disposizioni locali in materia di vicinanza della griglia alla casa e/o ad altre strutture. Porre tutto l'occorrente su un vassoio, impacchettarlo bene e mettersi all'opera!
- Per monitorare meglio la temperatura esterna, posizionare un termometro all'aperto vicino all'area di cottura. Tenere un diario degli alimenti cucinati, della temperatura esterna e del tempo di cottura. Il diario si rivelerà utile successivamente per determinare che cosa cucinare e quanto tempo richiederà la cottura.
- Quando fa molto freddo, aumentare il tempo di preriscaldamento di almeno 20 minuti.
- Evitare di sollevare il coperchio più del necessario. Le raffiche di vento fredde possono raffreddare completamente la griglia. Prevedere il tempo di servire in tavola con una certa flessibilità; aggiungere tempo di cottura extra ogni volta che si apre il coperchio.
- Preparare un piatto riscaldato o un coperchio per il piatto per mantenere caldo il cibo quando si torna all'interno.
- Gli alimenti ideali da cuocere in inverno sono quelli che richiedono poca attenzione, come arrosti, polli interi, costole e tacchino. Per semplificare ulteriormente la preparazione dei pasti, aggiungere piatti semplici come verdure e patate.

3. COTTURA QUANDO FA CALDO

Poiché fa più caldo all'aperto, il tempo di cottura diminuirà.

Seguire questi suggerimenti su come utilizzare la griglia durante i mesi caldi:

- Ridurre le temperature di cottura. Si eviterà di bruciare il cibo inavvertitamente.
- Usare un termometro per carne per determinare la temperatura interna degli alimenti. Si eviterà di cuocere e asciugare troppo le carni.
- Anche se fa caldo, è sempre meglio cucinare con il coperchio della griglia abbassato.
- Si possono mantenere caldi gli alimenti avvolgendoli in un foglio di alluminio e disponendoli in un contenitore termico. Disporre carta di giornale appallottolata intorno al foglio di alluminio per mantenere il cibo caldo per 3-4 ore.

INTERVALLI DI TEMPERATURA DELLA GRIGLIA

Le letture della temperatura sulla scheda di controllo potrebbero non corrispondere esattamente a quelle del termometro. Tutte le temperature elencate di seguito sono approssimative e sono influenzate dai seguenti fattori: temperatura ambiente esterna, quantità e direzione del vento, qualità del pellet utilizzato, apertura del coperchio e quantità di cibo da cuocere.

- **ALTA TEMPERATURA (205-260 °C / 401-500 °F)**

Questo intervallo di temperatura è ideale per rosolare e grigliare a temperature elevate. Usare anche il parafiamma (piastra scorrevole) per la cottura alla fiamma indiretta o diretta. Quando il **parafiamma è aperto**, si utilizza la fiamma diretta per ottenere bistecche dal colore vivido, ma anche verdure croccanti, pane tostato all'aglio e altre pietanze. Quando il **parafiamma è chiuso**, l'aria circola intorno al cilindro e si utilizza il calore di convezione. La temperatura elevata viene utilizzata anche per preriscaldare la griglia, sterilizzare le griglie di cottura e ottenere un calore elevato in condizioni di freddo estremo.

- **TEMPERATURA MEDIA (135-180 °C/275-356 °F)**

Questo intervallo di temperatura è ottimale per rosolare, arrostitire e terminare la cottura dopo l'affumicatura lenta. Cucinare a queste temperature ridurrà notevolmente le probabilità di bruciare il grasso. Assicurarsi che l'elemento scorrevole del parafiamma sia chiuso e copra le scanalature. Intervallo di temperatura ideale per cuocere gli alimenti avvolti nella pancetta o se si desidera un maggior controllo.

- **BASSA TEMPERATURA (82-125 °C / 180-257 °F)**

Questo intervallo di temperatura si utilizza per rosolare a fuoco lento, intensificare il sapore affumicato e mantenere gli alimenti caldi. Per conferire un gusto affumicato più deciso e mantenere le carni succose, cuocere più a lungo a una temperatura più bassa (tecnica di cottura detta anche **a fuoco basso e lento**). Vivamente consigliato per i tacchini di grossa taglia del giorno del Ringraziamento, il prosciutto succoso a Pasqua o i ricchi pranzi durante le festività.

L'affumicatura è una variante del barbecue vero e proprio ed è il vantaggio principale quando si griglia utilizzando un'unità a pellet di legno. **L'affumicatura a temperatura elevata**, ossia la cottura su fiamma **bassa e lenta**, avviene in genere tra 82-125°C / 180-257°F. L'affumicatura a temperatura elevata è adatta quando è necessario un tempo di cottura più lungo, ad esempio per tagli grandi di carne, pesce o pollame.

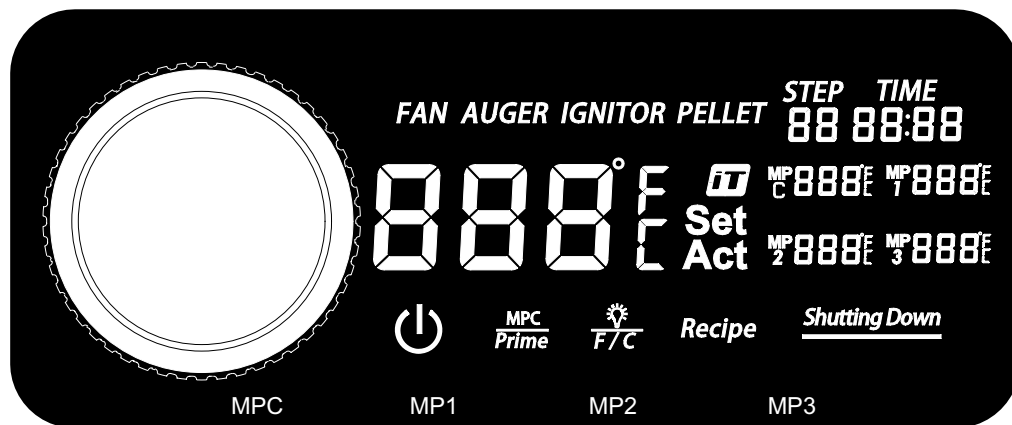
SUGGERIMENTO: per intensificare il sapore salato, passare a un intervallo di temperatura basso subito dopo aver posizionato il cibo sulla griglia. In questo modo il fumo ha il tempo di penetrare nelle carni.

Il segreto è fare esperimenti per stabilire il giusto tempo di affumicatura prima che la cottura sia terminata. Alcuni appassionati di barbecue preferiscono affumicare gli alimenti a fine cottura, così il cibo resta caldo finché non è pronto per essere servito. Ci si perfeziona con la pratica.

COME FUNZIONA LA SCHEDA DI CONTROLLO

Questa scheda di controllo digitale P.I.D. (proporzionale-integrale-derivativa) è molto simile ai comandi del forno da cucina. I suoi principali vantaggi sono la possibilità di compensare automaticamente le diverse condizioni ambientali e i diversi tipi di combustibile.

IMPORTANTE: la temperatura all'interno di qualsiasi griglia varia notevolmente da un luogo all'altro. Anche gli strumenti calibrati insieme possono non coincidere perfettamente.



CONTROLLO	DESCRIZIONE
	Premi questo pulsante una volta per accendere l'unità. Questo darà inizio al ciclo di avvio automatico. Tieni premuto questo pulsante per tre secondi per spegnere l'unità, attivando il ciclo di raffreddamento automatico. Il pulsante si illumina di luce bianca fissa è collegato a una fonte di alimentazione e quando l'unità è accesa.
	L'icona Smoke iT® indica la connettività al Wi-Fi. Durante la ricerca di una connessione tramite Wi-Fi o Bluetooth®, l'icona Smoke iT® lampeggia. Una volta stabilita una connessione Wi-Fi, l'icona Smoke iT® rimane accesa fissa. Con la connessione attivata è possibile ricevere aggiornamenti in tempo reale sulla temperatura effettiva e quella impostata della griglia, sul tempo di cottura e sulle temperature della sonda carni. Questa funzione permette anche di regolare le impostazioni della scheda di controllo.
	Questo pulsante ha due funzioni: interruttore delle unità di temperatura e luce. <ol style="list-style-type: none"> 1. Premere rapidamente questo pulsante per accendere e spegnere la luce all'interno del cilindro della griglia. 2. Tenere premuto questo pulsante per tre secondi per attivare l'interruttore delle unità di temperatura, modificando la lettura della temperatura. È possibile passare dai gradi Celsius (°C) ai gradi Fahrenheit (°F) in base alle preferenze. Il valore predefinito è impostato su Celsius (°C).
	Questo pulsante ha due funzioni: controllo sonda carni (MPC) e pulsante Prime. <ol style="list-style-type: none"> 1. La rapida pressione di questo pulsante attiva la sonda carni programmabile, che è la prima porta di connessione della sonda carni (MPC). Utilizzare di nuovo la manopola del controller per impostare la temperatura della sonda carni programmabile. Premere nuovamente la manopola del controller per confermare e uscire dalle impostazioni della sonda carni programmabile. 2. Tenere premuto questo pulsante per tre secondi per attivare l'alimentazione manuale continua di pellet al bruciatore. Il rilascio del pulsante interrompe l'alimentazione manuale di pellet. Si può ricorrere a questa operazione per introdurre più combustibile prima di aprire il coperchio del cilindro per un rapido recupero del calore oppure durante l'affumicatura, per rendere più intenso e deciso il gusto affumicato. Questa caratteristica è stata richiesta da cuochi provetti.

IT ITALIANO



La manopola del controller viene utilizzata per aumentare, diminuire e selezionare un valore di impostazione. Ruotare la manopola del controller per selezionare l'ora o la temperatura o per entrare in un menu delle impostazioni attivo. Premere la manopola del controller per confermare il valore scelto.

888°F
Set Act

La lettura centrale mostra sia la temperatura effettiva che quella impostata. La temperatura effettiva viene visualizzata costantemente tranne quando è in corso la regolazione della temperatura impostata. La temperatura effettiva indica la temperatura all'interno del cilindro principale. La lettura della temperatura effettiva viene rilevata dalla sonda della griglia (sensore) all'interno del cilindro della griglia.

Per visualizzare la temperatura impostata, premere la manopola del controller. La temperatura impostata è attiva quando la lettura lampeggia. Per regolare la temperatura impostata, ruotare la manopola del controller in base alle esigenze. Una volta raggiunta la temperatura impostata desiderata, premere la manopola del controller per confermare. A questo punto, la lettura torna a indicare la temperatura effettiva.

Recipe

Premere il pulsante una volta per attivare le fasi di ricetta. Ci sono nove fasi di ricetta impostabili. Regolare le impostazioni di ciascuna fase di ricetta utilizzando la manopola del controller.

STEP
88

Visualizza la fase di ricetta corrente.

TIME
88:88

Visualizza il tempo impostato durante la fase di ricetta. Premere il pulsante Ricetta per attivare le relative impostazioni. Utilizzare la manopola del controller per passare da una fase di ricetta all'altra, una delle quali è il tempo.

MP
C 888°F

Visualizza la temperatura effettiva e quella impostata della sonda carni programmabile, vale a dire la prima porta di connessione della sonda carni. La temperatura effettiva viene visualizzata costantemente tranne quando è in corso la regolazione della temperatura impostata. Quando si preme il pulsante MPC, la lettura della sonda carni selezionata lampeggia e la temperatura impostata può essere modificata. Quando non è in uso, scollegare la sonda carni dalla porta di connessione; verrà visualizzato il codice "noP". L'unità è compatibile solo con le sonde carni Pit Boss® Grills.

MP
7 888°F
MP
2 888°F
MP
3 888°F

Visualizza la temperatura effettiva di una sonda carni. Queste tre letture delle sonde carni corrispondono alle porte di connessione selezionate. Quando non è in uso, scollegare la sonda carni dalla porta di connessione; verrà visualizzato il codice "noP". L'unità è compatibile solo con le sonde carni Pit Boss® Grills.

Shutting Down

Questa lettura viene visualizzata una volta selezionato lo spegnimento e indica che è iniziato il ciclo di raffreddamento automatico. Una volta completato il ciclo di raffreddamento, la lettura non sarà più visibile.

FAN

L'icona VENTOLA è visibile quando la ventola è in funzione. Quando l'icona VENTOLA lampeggia, la ventola non funziona. Vedere la sezione relativa alla risoluzione dei problemi per assistenza.

AUGER

L'icona COCLEA è visibile quando la coclea sta girando. Quando l'icona COCLEA lampeggia, la coclea non funziona. Vedere la sezione relativa alla risoluzione dei problemi per assistenza.

IGNITOR

L'icona DISPOSITIVO DI ACCENSIONE è visibile quando il dispositivo di accensione è in uso. Quando l'icona DISPOSITIVO DI ACCENSIONE lampeggia, il dispositivo di accensione non funziona. Vedere la sezione relativa alla risoluzione dei problemi per assistenza.

PELLET

Quando l'icona PELLET, il fuoco nel bruciatore si è spento o la tramoggia potrebbe essere vuota. Vedere la sezione relativa alla risoluzione dei problemi per assistenza.

FUNZIONI DELLA SCHEDA DI CONTROLLO

· *IMPOSTAZIONE DELLA TEMPERATURA DELLA GRIGLIA*

La sonda griglia misura la temperatura interna del cilindro principale. Quando si regola la temperatura impostata, la sonda griglia legge la temperatura effettiva all'interno del cilindro principale e si regola sulla temperatura impostata desiderata.

IMPORTANTE: la temperatura dell'unità è fortemente influenzata dalle condizioni atmosferiche esterne, dalla qualità del pellet utilizzato, dall'aroma del pellet e dalla quantità di cibo da cuocere.

IMPOSTAZIONE/REGOLAZIONE DELLA TEMPERATURA IMPOSTATA

Per regolare la temperatura impostata desiderata della griglia, procedere come segue:

1. Premere la manopola del controller. Così facendo la lettura della temperatura impostata lampeggia mostrando che è attiva.
2. Utilizzare di nuovo la manopola del controller per regolare la temperatura desiderata.
3. Una volta raggiunta la temperatura impostata desiderata, premere la manopola del controller per confermare. A questo punto, la lettura torna a indicare la temperatura effettiva.

· *UTILIZZO DELLA SONDA CARNI PROGRAMMABILE*

La sonda carni misura la temperatura interna della carne sulla griglia, come avviene per i forni da cucina. Inserire la sonda carni in acciaio inossidabile nella parte più spessa della carne. La temperatura interna della carne viene visualizzata nella lettura della scheda di controllo. Collegare l'adattatore della sonda carni alla porta di connessione della sonda carni e assicurarsi che sia completamente inserito facendolo scattare in posizione. Non si limita a cuocere la carne alla temperatura desiderata, ma riduce automaticamente la temperatura della griglia al minimo (82 °C/180 °F) per mantenere il cibo caldo fino al momento di servirlo. È sufficiente impostarlo e la sonda carni farà il resto.

NOTA: quando si introduce la sonda carni nella carne, assicurarsi che la sonda e i suoi fili non siano a contatto diretto con la fiamma ed evitare il calore eccessivo per non danneggiare la sonda carni. Estrarre la porzione di filo non necessaria dai fori di scarico posteriori del cilindro principale, dalla parte superiore del cilindro principale (vicino alla cerniera del coperchio della griglia) o attraverso il foro anteriore vicino alla tramoggia. Quando non si utilizza la sonda carni, scollegarla dalla porta di connessione e riporla nei fori della maniglia della tramoggia per mantenerla pulita e protetta.

IMPOSTAZIONE/REGOLAZIONE DELLA SONDA CARNI PROGRAMMABILE

Per programmare la temperatura impostata desiderata per la sonda carni programmabile, procedere come segue:

1. Premere rapidamente il pulsante MPC per attivare la sonda carne programmabile. Effettuata l'attivazione, la lettura della temperatura della sonda carni lampeggia.
2. Utilizzare di nuovo la manopola del controller per regolare la temperatura impostata sul valore desiderato.
3. Una volta raggiunta la temperatura impostata desiderata della sonda carni selezionata, premere di nuovo la manopola del controller per confermare e uscire dalle impostazioni della sonda carni programmabile.

• IMPOSTAZIONE DI UNA RICETTA

La funzione di ricetta permette all'utente di programmare le istruzioni di cottura, note come fasi di ricetta, che la scheda di controllo deve seguire ed eseguire automaticamente. Queste istruzioni di cottura sono una combinazione tra temperatura di cottura e tempo. A partire dalla prima fase di ricetta (01), la scheda di controllo passerà attraverso ciascuna fase per cucinare il pasto. Quando tutte le fasi di ricetta sono completate, la scheda di controllo passa automaticamente a bassa temperatura, cioè 82°C/180°F, in modo che il pasto rimanga caldo fino a quando non è pronto per essere servito. Sono disponibili in totale nove fasi di ricetta da programmare.

COME PROGRAMMARE UNA FASE DI RICETTA

Per impostare una o più fasi di ricetta, seguire la procedura riportata di seguito:

4. Tenere premuto il pulsante Ricetta. Il pulsante lampeggia per indicare che le impostazioni di ricetta sono attive. Questa azione attiva anche le fasi di ricetta e la lettera "S" si accende per mostrare che la funzione è attiva.
 - Utilizzare la manopola del controller per selezionare la fase di ricetta. Inizia con la prima fase di ricetta (01).
 - Una volta raggiunta la fase di ricetta desiderata, premere la manopola del controller per passare all'impostazione successiva.
 5. Impostare l'ora. L'ora sul display lampeggia per mostrare che è selezionata.
 - Utilizzare la manopola del controller per selezionare l'ora desiderata.
 - Una volta raggiunta l'ora desiderata, premere la manopola del controller per passare all'impostazione successiva.
 6. Impostare i minuti. I minuti sul display lampeggiano per mostrare che sono selezionati.
 - Utilizzare la manopola del controller per selezionare i minuti desiderati.
 - Una volta raggiunti i minuti desiderati, premere la manopola del controller per passare all'impostazione successiva.
 7. Impostare la temperatura. La temperatura sul display lampeggia per mostrare che è selezionata.
 - Utilizzare la manopola del controller per selezionare la temperatura desiderata.
 - Quando viene raggiunta la temperatura desiderata, tenere premuto il pulsante Ricetta per bloccare tutte le impostazioni di ricetta per quella fase di ricetta.
 - Per impostare un'altra fase di ricetta, premere rapidamente il pulsante Ricetta per selezionare un'altra fase di ricetta, programmando una cottura a più fasi. Ripetere i passaggi precedenti, a piacimento.
- O,
- Tenere premuto il pulsante Ricetta una seconda volta per uscire dalle impostazioni di ricetta ed eseguire la ricetta. Il pulsante Ricetta smette di lampeggiare.

NOTA: le fasi di ricetta verranno ripristinate quando l'unità viene spenta.

CONNESSIONE ALL'APP SMOKE IT®

Seguire queste istruzioni relative alla connessione della griglia all'app Smoke iT® con un dispositivo Android™ o iOS®. L'app consente di controllare e monitorare le temperature della griglia e della sonda carni con il dispositivo mobile. La connettività mobile dell'app Smoke iT® offre numerosi vantaggi.

1. Scaricare l'app Smoke iT®. Aprire l'app e consentire l'abilitazione del Bluetooth® per la configurazione. I nuovi utenti devono creare un account e seguire le istruzioni per accedere.
2. Entro la portata del Bluetooth® (9 m/30 piedi), l'app Smoke iT® rileva automaticamente la griglia. Selezionare il modello di griglia. Se la griglia non viene visualizzata sullo schermo, assicurarsi che l'unità sia collegata a una fonte di alimentazione e che sia accesa.
3. Assegnare un nome alla griglia (ad es. La mia griglia) nell'app e selezionare "Connect" (Connetti) nella parte inferiore dello schermo. In questo modo il modello di griglia viene salvato nel menu dei dispositivi.
4. Dal menu dei dispositivi, fare clic sul modello di griglia per la connessione. Viene visualizzata la finestra della scheda di controllo.
5. Fare clic sull'opzione delle impostazioni (ingranaggio) nell'angolo in alto a destra, inserire le credenziali Wi-Fi, quindi fare clic sul segno di spunta nella parte inferiore dello schermo per connettersi. Ora le icone del Bluetooth® e del Wi-Fi (nuvola) sono entrambe visualizzate nel menu dei dispositivi, a indicare che la griglia è connessa.

Durante l'utilizzo dell'app, la schermata si illumina quando la griglia è attiva e connessa. Se la schermata dell'app o la griglia si oscura nel menu dei dispositivi, controllare la connessione wireless o la fonte di alimentazione.

PROCEDURA DI ADESCAMENTO TRAMOGGIA

Queste istruzioni devono essere seguite la prima volta che la griglia viene accesa e ogni volta che i pellet si esauriscono nella tramoggia. La coclea deve essere adescata prima che i pellet possano attraversarla e riempire il sistema di alimentazione. **Se non è adescata, il dispositivo di accensione si disattiva prima che i pellet vengano bruciati e il fuoco non si accende.** Per adescare la tramoggia, procedere come segue:

1. Aprire il coperchio del cilindro principale. Rimuovere tutti i componenti di cottura dall'interno della griglia. Individuare il bruciatore nella parte inferiore del cilindro principale. Controllare il bruciatore per accertarsi che non vi siano ostacoli a un'accensione corretta.
2. Collegare il cavo di alimentazione a una fonte di alimentazione. Premere il pulsante di alimentazione per accendere l'unità. Controllare quanto segue:
 - Si sente girare la coclea. Posizionare la mano al di sopra del bruciatore e cercare di percepire lo spostamento d'aria. Non posizionare la mano o le dita all'interno del bruciatore per evitare incidenti.
 - Dopo circa un minuto, si dovrebbe sentire l'odore del dispositivo di accensione in funzione e percepire l'aria che diventa più calda nel bruciatore. La punta del dispositivo di accensione non è di colore rosso incandescente, ma diventa estremamente calda e può causare ustioni. Non toccare il dispositivo di accensione.
3. Dopo aver verificato che tutti i componenti elettrici funzionino correttamente, tenere premuto il pulsante di accensione per tre secondi per spegnere l'unità.
4. Aprire il coperchio della tramoggia. Assicurarsi che non vi siano corpi estranei nella tramoggia o nel sistema di alimentazione della coclea. Riempire la tramoggia con pellet secco per barbecue, al 100% di legno naturale.
5. Premere il pulsante di alimentazione per riaccendere l'unità. Il ciclo di avvio della griglia ha una temperatura preimpostata di 176 °C / 350 °F, quindi l'unità inizierà a riscaldarsi. Tenere premuto il pulsante Prime fino a quando non si vedono arrivare i pellet all'interno della griglia dal tubo della coclea. Una volta che i pellet iniziano a cadere nel bruciatore, rilasciare il pulsante Prime.
6. Tenere premuto il pulsante di accensione per tre secondi per spegnere l'unità.
7. Rimontare i componenti di cottura nel cilindro principale. La griglia è ora pronta per l'uso.

PRIMO UTILIZZO: STERILIZZAZIONE DELLA GRIGLIA

Una volta che la tramoggia è stata innescata e prima di utilizzare la griglia per la prima volta, è importante sterilizzare la griglia. Avviare la griglia e azionarla a qualsiasi temperatura superiore a 176 °C / 350 °F (con il coperchio abbassato) per 30-40 minuti per accendere la griglia e liberarla da qualsiasi materiale estraneo.

PROCEDURA DI AVVIO AUTOMATICO

1. Collegare il cavo di alimentazione a una fonte di alimentazione dotata di messa a terra. Aprire il coperchio del cilindro principale. Controllare il bruciatore per accertarsi che non vi siano ostacoli a un'accensione corretta. Aprire il coperchio della tramoggia. Assicurarsi che non vi siano corpi estranei nella tramoggia o nel sistema di alimentazione della coclea. Riempire la tramoggia con pellet secco per barbecue, al 100% di legno naturale.
2. Premere il pulsante di alimentazione per accendere l'unità. In questo modo si attiva il ciclo di avvio. Il sistema di alimentazione della coclea inizia a girare, il dispositivo di accensione inizia ad accendersi e la ventola fornisce aria al bruciatore. La griglia inizia a produrre fumo durante il ciclo di avvio. In questa fase il coperchio del cilindro deve rimanere aperto. Per essere certi che il ciclo di avvio sia iniziato correttamente, controllare se si avverte un fruscio simile a quello di una torcia e notare se viene prodotto un po' di calore.
3. Una volta che il fumo bianco e pesante si è dissipato, il ciclo di avvio è completo e si può utilizzare la griglia alla temperatura desiderata.

SPEGNIMENTO DELLA GRIGLIA

1. Al termine della cottura, con il coperchio del cilindro principale ancora chiuso, tenere premuto il pulsante di alimentazione per tre secondi per spegnere l'unità. La griglia inizia il ciclo di raffreddamento automatico. Il sistema della coclea interromperà l'alimentazione di combustibile, la fiamma si spegnerà e la ventola continuerà a funzionare fino al completamento del ciclo di raffreddamento.

CURA E MANUTENZIONE

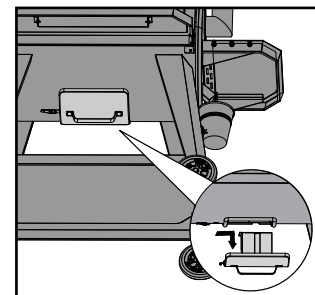
AVVERTENZA: scollegare sempre il cavo elettrico prima di aprire la griglia per qualsiasi ispezione, pulizia, manutenzione o intervento di manutenzione. Assicurarsi che la griglia si sia raffreddata completamente per evitare incidenti.

Qualsiasi unità Pit Boss® offrirà molti anni di deliziose cotture con una minima pulizia. Seguire questi suggerimenti per la pulizia e la manutenzione della griglia:

1. PULIZIA DELLE CENERI

- Nella parte inferiore del cilindro della griglia è presente una funzione di pulizia delle ceneri, che consente di accedere facilmente al focolare per pulirlo senza problemi ogniqualvolta sia necessario. Per procedere con lo svuotamento, rilasciare il fermo della fibbia sul gancio del cassetto delle ceneri. Tenendo la maniglia, far scorrere il cassetto delle ceneri allontanandolo dalla fibbia, quindi tirarlo verso il basso per rimuoverlo. Una volta svuotato, sollevare il cassetto delle ceneri e inserirlo di nuovo nella parte inferiore del cilindro della griglia, facendolo scorrere verso la fibbia e quindi fissandolo al suo gancio con il fermo della fibbia.

AVVERTENZA: questa funzione può essere utilizzata solo quando la griglia si è raffreddata.



2. GRUPPO TRAMOGGIA

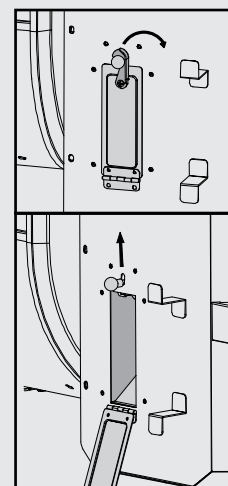
- Se la griglia non viene utilizzata per un lungo periodo di tempo, si consiglia di estrarre tutti i pellet dal sistema della coclea. A questo scopo è sufficiente azionare la griglia, su una tramoggia vuota, finché nel tubo della coclea non rimangono pellet.
- Controllare e rimuovere eventuali residui dalla bocchetta di aspirazione dell'aria della ventola, situata sul fondo della tramoggia. Una volta rimosso il pannello di accesso alla tramoggia (vedere lo **Schema elettrico dei fili**), rimuovere con cautela qualsiasi accumulo di grasso direttamente dalle lame della ventola. per garantire un flusso d'aria sufficiente per il sistema di alimentazione.

FUNZIONE DI PULIZIA DELLA TRAMOGGIA

La tramoggia include una funzione di pulizia per consentire una facile pulizia e la possibilità di cambiare i sapori del pellet di legno. Per effettuare lo svuotamento, segui questi passi:

1. Individua lo sportello di pulizia e il gancio dello sportello sul lato posteriore della tramoggia.
2. Ruota il gancio della porta (in alto) verso destra in modo che si stacchi dall'asta di sblocco della serratura. Colloca un secchio pulito e vuoto sotto lo sportello pulito e lascia che lo sportello si abbassi. Solleva l'asta del chiavistello di sgancio per aprire la piastra scivolo di caduta, consentendo lo svuotamento dei pellet dalla tramoggia.
3. Una volta effettuato lo svuotamento, reinserire manualmente la piastra scivolo di caduta e spingerla finché non si bloccherà in posizione. Chiudere lo sportello di pulizia e riposizionare il gancio dello sportello sull'asta del fermo di rilascio per fissarlo.

NOTA: per una pulizia completa della protezione tramoggia utilizzare una spazzola a manico lungo o un aspirapolvere per rimuovere pellet, segatura e residui in eccesso.



3. SONDE

- I fili della sonda inginocchiati o piegati possono causare danni. I fili delle sonde carni non in uso devono essere arrotolati in modo da formare rotoli larghi e allentati.
- Anche se la sonda griglia e le sonde carni sono in acciaio inossidabile, non introdurre in lavastoviglie e non immergerle in acqua. I fili interni danneggiati dall'acqua causano il corto-circuito della sonda e false letture. Se una sonda è danneggiata, sostituirla.

IT

ITALIANO

4. SUPERFICI INTERNE

- Si consiglia di pulire regolarmente il bruciatore dopo pochi utilizzi. Ciò garantisce una corretta accensione e previene l'accumulo di residui o cenere nel bruciatore.
- Utilizzare una spazzola a manico lungo per la pulizia della griglia e rimuovere qualsiasi alimento o accumulo dalle griglie di cottura. È preferibile eseguire quest'operazione quando le parti sono ancora calde dopo la cottura. Gli incendi di grasso sono causati dall'eccessiva caduta di residui sui componenti di cottura della griglia. Pulire l'interno della griglia regolarmente. Se si verifica un incendio di grasso, tenere chiuso il coperchio della griglia per soffocare la fiamma. Se il fuoco non si spegne rapidamente, rimuovere con cautela il cibo, spegnere la griglia e chiudere il coperchio fino a quando il fuoco non sia completamente spento. Cospargere leggermente di bicarbonato di sodio, se disponibile.
- Controllare spesso il secchiello di raccolta del grasso e pulirlo secondo necessità. Tenere conto del tipo di cottura.

IMPORTANTE: per il calore elevato, non coprire il parafiamma o le sonde con fogli di alluminio.

5. SUPERFICI ESTERNE

- Il ripiano anteriore include un pannello inferiore rimovibile per una facile pulizia. Dal basso, spingere la piastra di supporto verso il cilindro principale per rimuoverla, quindi pulirla e infine rimetterla al suo posto, facendola scorrere in posizione.
- Ripulire la griglia dopo ogni utilizzo. Utilizzare acqua calda e sapone per rimuovere il grasso. Non utilizzare detergenti per forno, detergenti abrasivi o spugne abrasive sulle superfici esterne della griglia. **Tutte le superfici verniciate non sono coperte da garanzia, ma rientrano nelle operazioni di manutenzione generale.** In caso di graffi della vernice, usura o sfaldatura della finitura, tutte le superfici verniciate possono essere ritoccate utilizzando una vernice per barbecue resistente al calore elevato.
- Utilizzare una copertura per griglia per una protezione completa della griglia. Una copertura è la migliore protezione contro le intemperie e gli agenti inquinanti esterni. Quando l'unità non è in uso o viene riposta per un lungo periodo di tempo, conservare l'unità coperta in un garage o in un capanno.

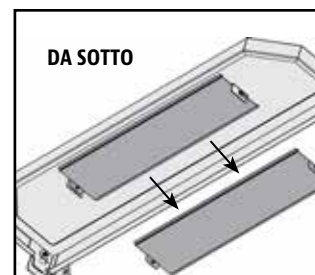


TABELLA CON LE FREQUENZE DELLA PULIZIA (USO NORMALE)

ELEMENTO	FREQUENZA DELLA PULIZIA	METODO DI PULIZIA
Fondo della griglia principale	Ogni 5-6 grigliate	Rimuovere gli scarti in eccesso con una paletta o con un aspirapolvere per liquidi e polveri
Bruciatore	Ogni 2-3 grigliate	Rimuovere gli scarti in eccesso con una paletta o con un aspirapolvere per liquidi e polveri
Griglie di cottura	Dopo ogni grigliata	Bruciare i residui in eccesso, utilizzare uno scovolo di metallo
Parafiamma	Ogni 5-6 grigliate	Raschiare la piastra principale con l'elemento scorrevole, non lavare
Ripiani	Dopo ogni grigliata	Spugna e acqua e sapone
Secchiello di raccolta del grasso	Dopo ogni grigliata	Spugna e acqua e sapone
Sistema di alimentazione coclea	Quando il sacchetto del pellet è vuoto	Attendere che la coclea espella la segatura, lasciando la tramoggia vuota
Componenti elettrici tramoggia	Una volta all'anno	Spolverare l'interno, detergere le lame della ventola con acqua e sapone
Ventola di aspirazione dell'aria	Ogni 5-6 grigliate	Spolverare, strofinare con spugna e acqua e sapone
Sonda griglia	Ogni 2-3 grigliate	Spugna e acqua e sapone

SUGGERIMENTI E TECNICHE

Seguire questi utili suggerimenti e tecniche, forniti dai titolari di Pit Boss®, dal nostro personale e da altri clienti per acquisire maggiore familiarità con la griglia:

1. SICUREZZA ALIMENTARE

- Conservare tutti gli alimenti in cucina e tenere l'area di cottura pulita. Utilizzare piatti e utensili diversi per la carne cotta rispetto a quelli utilizzati per preparare o trasportare la carne cruda fino alla griglia. In questo modo si eviterà la contaminazione crociata da batteri. Ogni marinata o salsa per ungere gli alimenti dovrebbe avere un utensile dedicato.
- Mantenere caldi gli alimenti caldi (al di sopra di 60 °C / 140 °F) e mantenere freddi i cibi freddi (al di sotto di 3 °C / 37 °F).
- La marinata non deve mai essere conservata per essere utilizzata in un secondo momento. Se si ha intenzione di usarla per accompagnarla alla carne, ricordarsi di portarla a ebollizione prima di servire.
- Gli alimenti cotti non dovrebbero essere lasciati fuori al caldo per più di un'ora. Non lasciare alimenti caldi fuori dal frigorifero per più di due ore.
- Scongela e marina le carni mediante refrigerazione. Non scongelare la carne a temperatura ambiente o su un piano di lavoro. I batteri possono svilupparsi e moltiplicarsi rapidamente negli alimenti caldi e umidi. Lavarsi accuratamente le mani con acqua calda e sapone prima di iniziare a preparare i pasti e dopo aver toccato carne fresca, pesce e pollame.

2. OPERAZIONI PRELIMINARI ALLA COTTURA

- Eseguire tutte le operazioni preliminari (***mise en Place***): preparare la ricetta, il combustibile, gli accessori, gli utensili e tutti gli ingredienti necessari accanto alla griglia prima di iniziare a cucinare. Inoltre, leggere l'intera ricetta, dall'inizio alla fine, prima di accendere la griglia.
- Un tappetino per barbecue è molto utile per proteggere un pavimento in legno, un patio o una superficie in pietra da macchie di grasso o liquidi versati accidentalmente, tenuto conto della possibilità di errori durante la manipolazione degli alimenti e schizzi di cottura.

3. SUGGERIMENTI E TECNICHE DI COTTURA ALLA GRIGLIA

- Per accentuare il sapore affumicato delle carni, cuocere più a lungo e alle temperature più basse (tecnica di cottura a fuoco ***basso e lento***). Le fibre della carne si sigillano quando raggiungono una temperatura interna di 49 °C/120 °F. Nebulizzare liquidi o irrorare leggermente sono metodi ottimi per evitare che la carne si asciughi.
- Cuocere le carni con il coperchio abbassato. Usare sempre un termometro per carni per determinare la temperatura interna degli alimenti in cottura. L'affumicatura di alimenti con pellet di legno duro conferirà un colore rosato a carni e pollame. La striatura rosa (dopo la cottura) è detta ***anello di fumo*** ed è molto apprezzata dagli appassionati di barbecue.
- È preferibile applicare le salse che contengono zucchero a fine cottura per evitare di bruciare o carbonizzare gli alimenti.
- Lasciare una certa distanza tra gli alimenti e le estremità del cilindro per garantire un corretto flusso di calore. Il cibo disposto fittamente sulla griglia richiede un maggior tempo di cottura.
- Utilizzare pinze a manico lungo per girare le carni e una spatola per girare hamburger e pesce. Se si utilizzano utensili che forano, come le forchette, la carne verrà punta e i suoi succhi si disperderanno.
- Gli alimenti in casseruole profonde richiedono un maggior tempo di cottura di quelli in piatti di cottura poco profondi.
- È una buona idea posizionare il cibo cotto su un piatto riscaldato, che mantiene il cibo caldo. Le carni rosse, come bistecche e arrostiti, migliorano se lasciate riposare per alcuni minuti prima di servire. In questo modo, infatti, i succhi spinti in superficie dal calore hanno il tempo di essere riassorbiti dalla carne, conferendole più sapore.

RISOLUZIONE DEI PROBLEMI

Una corretta pulizia e manutenzione e l'uso di combustibile pulito, asciutto e di qualità eviteranno problemi di funzionamento comuni. Quando la griglia Pit Boss® viene utilizzata in modo non corretto o raramente, possono risultare utili i seguenti suggerimenti per la risoluzione dei problemi. Per le domande frequenti, visitare il sito www.pitboss-grills.com. È inoltre possibile rivolgersi al proprio rivenditore autorizzato Pit Boss® o contattare il Servizio clienti per ricevere assistenza.

AVVERTENZA: scollegare sempre il cavo elettrico prima di aprire la griglia per qualsiasi ispezione, pulizia, manutenzione o intervento di manutenzione. Assicurarsi che la griglia si sia raffreddata completamente per evitare incidenti.

PROBLEMA	CAUSA	SOLUZIONE
Luci spente sulla scheda di controllo	Unità non collegata a una fonte di alimentazione	Assicurarsi che l'unità sia collegata a una fonte di alimentazione funzionante. Interruttore di circuito. Assicurarsi che il salvavita sia almeno da 10 A (per l'accesso ai componenti elettrici, vedere lo Schema elettrico dei fili). Assicurarsi che tutti i fili siano ben collegati e asciutti.
	Fusibile bruciato sulla scheda di controllo	Rimuovere il pannello di accesso alla tramoggia (vedere lo Schema elettrico dei fili), premere le linguette in plastica che fissano la scheda di controllo in posizione e tirare delicatamente la centralina all'interno della tramoggia per rilasciarla. Controllare se il fusibile è rotto o se il filo è nero. In caso affermativo, il fusibile deve essere sostituito manualmente.
	Scheda di controllo difettosa	La scheda di controllo deve essere sostituita. Contattare il Servizio clienti per ricevere la parte di ricambio.
Il fuoco non si accende nel recipiente di combustione	La coclea non è adescata	Prima di utilizzare l'unità per la prima volta o ogni volta che la tramoggia viene completamente svuotata, è necessario adescare la coclea affinché i pellet riempiano il tubo della coclea. Se la coclea non è adescata, il dispositivo di accensione si disattiva prima che i pellet raggiungano il recipiente di combustione. Eseguire la procedura di adescamento tramoggia .
	Il motorino della coclea è inceppato	Rimuovere i componenti di cottura dal cilindro principale. Premere il pulsante di alimentazione per accendere l'unità e ispezionare il sistema di alimentazione della coclea. Verificare visivamente che la coclea faccia cadere i pellet nel recipiente di combustione. Se il funzionamento non è corretto, contattare il Servizio clienti per ricevere assistenza o una parte di ricambio.
	Guasto del dispositivo di accensione	Rimuovere i componenti di cottura dal cilindro principale. Premere il pulsante di alimentazione per accendere l'unità e ispezionare il dispositivo di accensione. Verificare visivamente che il dispositivo di accensione funzioni posizionando la mano al di sopra del recipiente di combustione e cercando di percepirne il calore. Verificare visivamente che il dispositivo di accensione sporga di circa 13 mm nel recipiente di combustione. Se il funzionamento non è corretto, contattare il Servizio clienti per ricevere assistenza o una parte di ricambio.
La lettura della temperatura effettiva non si regola	Sonda grill sporca	Seguire le istruzioni di Cura e manutenzione.
	La sonda del grill è rotta	La sonda del grill deve essere sostituita. Contattare il Servizio clienti.
La griglia non raggiunge oppure non mantiene una temperatura stabile	Flusso d'aria insufficiente nel recipiente di combustione	Controllare se il recipiente di combustione contiene accumuli di cenere o è ostruito. Seguire le istruzioni di Cura e manutenzione per l'accumulo di ceneri. Controllare la ventola. Assicurarsi che funzioni correttamente e che la presa d'aria non sia ostruita. Seguire le istruzioni di Cura e manutenzione se è sporca. Controllare il motorino della coclea per verificare che funzioni e controllare che il tubo della coclea non sia ostruito. Una volta eseguite tutte le operazioni descritte in precedenza, avviare la griglia, impostare la temperatura su SMOKE e attendere 10 minuti. Controllare che la fiamma prodotta sia vivida e scoppiettante.
	Mancanza di combustibile, scarsa qualità del combustibile, ostruzione nell'impianto di alimentazione	Controllare la tramoggia per verificare che il livello del combustibile sia sufficiente; rifornire di combustibile, se il livello è basso. Se la qualità dei pellet di legno è scarsa o i pellet sono troppo lunghi, il sistema di alimentazione potrebbe ostruirsi. Rimuovere i pellet e seguire le istruzioni di Cura e manutenzione .
	Sonda griglia	Controllare lo stato della sonda della griglia. Seguire le istruzioni di Cura e manutenzione se è sporca. Se danneggiata, contattare il Servizio clienti per ricevere la parte di ricambio.

La griglia produce fumo in eccesso o sbiadito	Accumulo di grasso	Seguire le istruzioni di Cura e manutenzione .
	Qualità del pellet di legno	Rimuovere i pellet di legno umidi dalla tramoggia. Per la pulizia, seguire le istruzioni di Cura e manutenzione . Sostituire con pellet di legno secco.
	Il recipiente di combustione è bloccato	Eliminare i pellet di legno umidi dal recipiente di combustione. Eseguire la procedura di adescamento tramoggia .
	Afflusso d'aria insufficiente per la ventola	Controllare la ventola. Assicurarsi che funzioni correttamente e che la presa d'aria non sia ostruita. Seguire le istruzioni di Cura e manutenzione se è sporca.
Fiammate frequenti	Temperatura di cottura	Provare a cucinare a una temperatura inferiore. Il grasso ha un punto di infiammabilità. Mantenere la temperatura sotto i 176 °C/350 °F durante la cottura di alimenti molto grassi.
	Accumulo di grasso sui componenti di cottura	Seguire le istruzioni di Cura e manutenzione .
Codice di errore ErP	L'unità non si è spenta correttamente quando è stata collegata all'alimentazione la volta precedente	La funzione di sicurezza impedisce il riavvio automatico. Tenere premuto il pulsante di accensione per tre secondi per spegnere l'unità, attendere due minuti, quindi premere nuovamente il pulsante per riaccendere l'unità. Impostare alla temperatura desiderata. Se il codice di errore continua a essere visualizzato, contatta il servizio clienti.
	Interruzione dell'alimentazione quando l'unità è in funzione	
Codice di errore ErH	L'unità si è surriscaldata, probabilmente a causa di un incendio di grasso o di un eccesso di combustibile	Tenere premuto il pulsante di accensione per tre secondi per spegnere l'unità e consentire al grill di raffreddarsi. Seguire le istruzioni di cura e manutenzione. Dopo la manutenzione, rimuovere i pellet e controllare la posizione di tutti i componenti. Una volta che l'unità si è raffreddata, premere il pulsante di accensione per accendere l'unità, quindi selezionare la temperatura desiderata. Se il codice di errore continua a essere visualizzato, contatta il servizio clienti.
Codice di errore ErL	La griglia non riesce a eseguire il ciclo di avvio	Controllare il corretto posizionamento dei componenti di cottura. Controllare che nella tramoggia vi sia combustibile sufficiente e che il sistema di alimentazione non sia ostruito. Rimuovere i pellet e seguire le istruzioni di Cura e manutenzione . Controllare la sonda della griglia. Verificare se la temperatura effettiva è corretta e precisa. Seguire le istruzioni di Cura e manutenzione se è sporca. Controllare il posizionamento del dispositivo di accensione e che si stia riscaldando correttamente. In caso di freddo estremo, la griglia può richiedere un secondo avvio. Spegnerla, attendere e riaccenderla. Controllare la ventola. Assicurarsi che funzioni correttamente. Seguire le istruzioni di Cura e manutenzione se è sporca.
	La griglia non rimane accesa	
Codice errore PELLET lampeggiante	Mancanza di combustibile, scarsa qualità del combustibile, ostruzione nel sistema di alimentazione, coclea inceppata	Controllare la tramoggia per verificare che il livello del combustibile sia sufficiente; rifornire di combustibile, se il livello è basso. Se la qualità dei pellet di legno è scarsa o i pellet sono troppo lunghi, il sistema di alimentazione potrebbe ostruirsi. Rimuovere i pellet e seguire le istruzioni di Cura e manutenzione .
Codice errore IGNITOR lampeggiante	Il dispositivo di accensione non funziona correttamente e non fa contatto	Rimuovere i componenti di cottura dal cilindro principale. Premere il pulsante di alimentazione per accendere l'unità e ispezionare il dispositivo di accensione. Verificare visivamente che il dispositivo di accensione funzioni posizionando la mano al di sopra della griglia di combustione e cercando di percepire il calore. Verificare visivamente che il dispositivo di accensione sia allineato con il foro della griglia di combustione e aprirlo per accendere i pellet. Se il funzionamento non è corretto, contattare il Servizio clienti per ricevere assistenza o una parte di ricambio.
	Guasto del dispositivo di accensione	Il dispositivo di accensione deve essere sostituito. Contattare il Servizio clienti per ricevere la parte di ricambio.
Codice errore AUGER lampeggiante	La coclea non è adescata	Prima di utilizzare l'unità per la prima volta e ogni volta che la tramoggia viene completamente svuotata, è necessario adescare la coclea in modo che i pellet possano riempire il recipiente di combustione. Se non è adescata, il dispositivo di accensione si disattiva prima che i pellet si accendano. Eseguire la procedura di adescamento tramoggia .
	Il motore della coclea è inceppato e non fa contatto	Rimuovere i componenti di cottura dal cilindro principale. Premere il pulsante di alimentazione per accendere l'unità e ispezionare il sistema di alimentazione della coclea. Verificare visivamente che la coclea faccia cadere i pellet nel recipiente di combustione. Se il funzionamento non è corretto, contattare il Servizio clienti per ricevere assistenza o una parte di ricambio.
Codice errore FAN lampeggiante	La ventola non funziona correttamente e non fa contatto	Controllare la ventola. Assicurarsi che funzioni correttamente e che la presa d'aria non sia ostruita. Rimuovere il pannello di accesso alla tramoggia (vedere lo Schema elettrico dei fili) e controllare se i fili della ventola temperatura sono danneggiati. Seguire le istruzioni di Cura e manutenzione se le pale della ventola sono sporche.

SCHEMA ELETTRICO DEI FILI

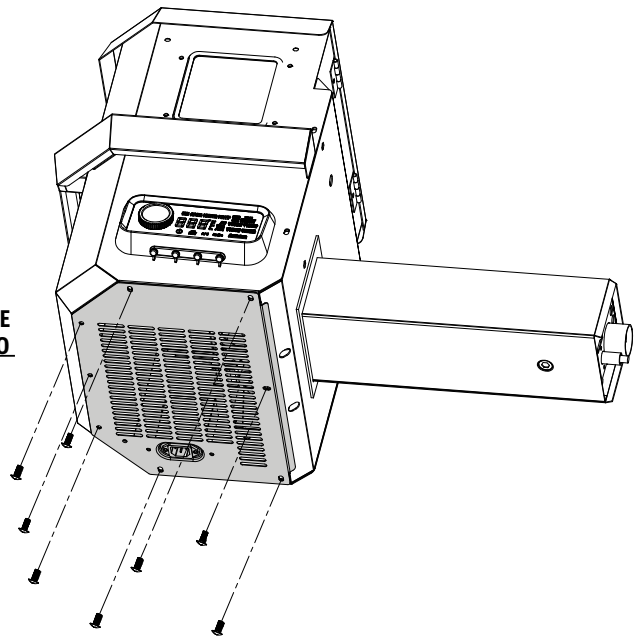
La tecnologia alla base del sistema della scheda di controllo digitale è sofisticata e costosa. Per proteggerla da picchi di corrente e cortocircuiti elettrici, consultare lo schema elettrico riportato di seguito per verificare che la fonte di alimentazione sia sufficiente per il funzionamento dell'unità.

PB - REQUISITI ELETTRICI

220-240 V, 50 Hz, 275 W, SPINA A 3 POLI CON MESSA A TERRA

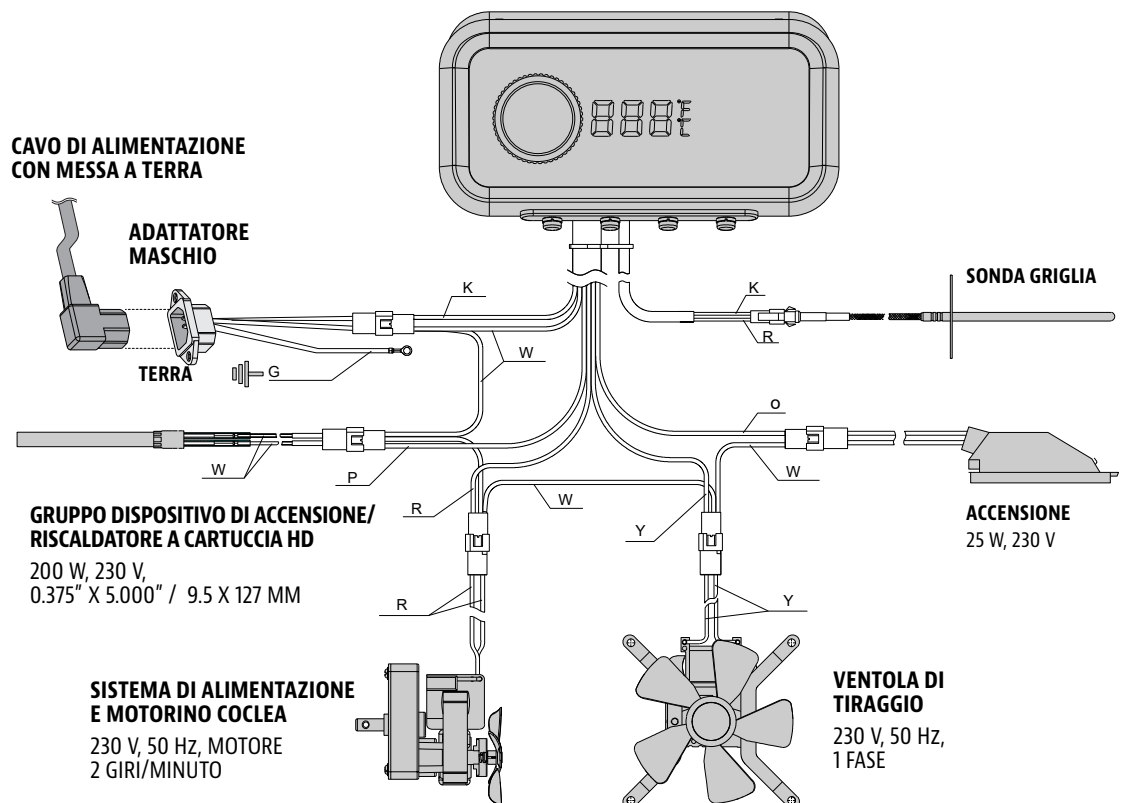
NOTA: i componenti elettrici, che hanno superato i test di sicurezza e la valutazione degli enti di certificazione, rispettano un livello di tolleranza del $\pm 5-10\%$.

INDIVIDUARE E RIMUOVERE LE OTTO VITI DEL PANNELLO DI ACCESSO SUL LATO INFERIORE DELL'UNITÀ



VALORE NOMINALE INGRESSO COMBUSTIBILE:
2,0 KG/H
(4.4 LB/H)

SCHEDA DI CONTROLLO

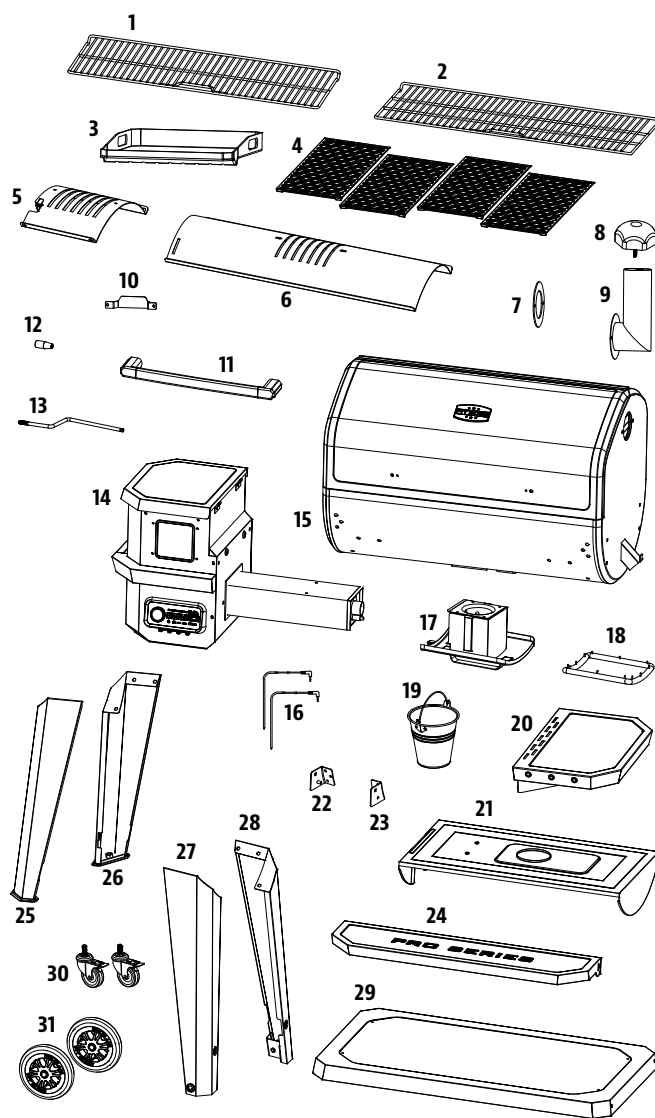


INDICE

K: NERO
W: BIANCO
R: ROSSO
Y: GIALLO
P: VIOLA
O: ARANCIONE
G: VERDE

PARTI DI RICAMBIO GRIGLIA

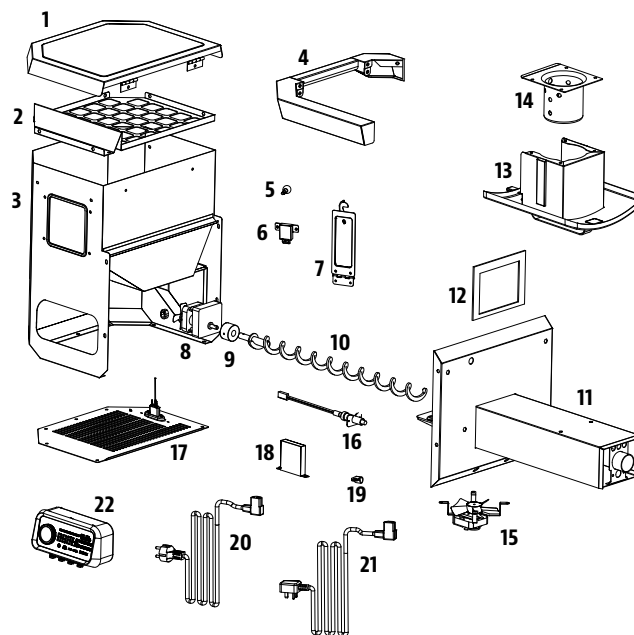
N. parte	Descrizione
1	Rastrelliera di cottura superiore (x1)
2	Griglia di cottura centrale (x1)
3	Griglia (x1)
4	Griglie di cottura (x4)
5	Elemento scorrevole del parafiamma (x1)
6	Piastra principale del parafiamma (x1)
7	Guarnizione del camino (x1)
8	Coperchio del camino (x1)
9	Fumaiole del camino (x1)
10	Gancio a rastrelliera (x1)
11	Maniglia del coperchio (x1)
12	Pomello della barra di regolazione del parafiamma (x1)
13	Barra di regolazione del parafiamma (x1)
14	Gruppo tramoggia (x1)
15	Cilindro principale (x1)
16	Sonda carni (x2)
17	Cassetto delle ceneri (x1)
18	Guarnizione cassetto delle ceneri (x1)
19	Secchiello di raccolta grasso (x1)
20	Ripiano laterale (x1)
21	Piastra di diffusione (x1)
22	Staffa del ripiano anteriore / sinistra (x1)
23	Staffa del ripiano anteriore / destra (x1)
24	Ripiano anteriore (x1)
25	Supporto di sinistra - anteriore (x1)
26	Supporto di sinistra - posteriore (x 1)
27	Supporto di destra - anteriore (x1)
28	Supporto di destra - posteriore (x1)
29	Ripiano inferiore (x1)
30	Ruote girevoli bloccabili (x2)
31	Ruota (x2)
A	Vite (x28)
B	Rondella (x24)
C	Rondella di bloccaggio (x22)
D	Gancio per gli utensili (x3)
E	Copiglia ruota (x2)
F	Rondella ruota (x2)
G	Perno asse ruota (x2)
H	Vite (x2)
I	Dado (x2)
J	Boccola (x2)



NOTA: per lo sviluppo continuo del prodotto, le parti sono soggette a modifiche senza preavviso.

PARTI DI RICAMBIO TRAMOGGIA

N. parte	Descrizione
1	Coperchio tramoggia (x1)
2	Schermo di protezione tramoggia (x1)
3	Scatola tramoggia (x1)
4	Maniglia tramoggia (x1)
5	Maniglia dell'armadietto dello scivolo di caduta (x1)
6	Gruppo scivolo di caduta (x1)
7	Sportello scivolo di caduta (x1)
8	Motorino coclea (x1)
9	Boccola in nylon (x1)
10	Gruppo serpentina coclea (x1)
11	Scatola coclea (x1)
12	Guarnizione scatola tramoggia (x1)
13	Cassetto delle ceneri (x1)
14	Brucciatoe (x1)
15	Ventola di combustione (x1)
16	Dispositivo di accensione (x1)
17	Pannello di accesso alla tramoggia (x1)
18	Copertura impermeabile del cavo di alimentazione (1x)
19	Copiglia cavo di alimentazione (x1)
20	Cavo di alimentazione - Spina F (x1)
21	Cavo di alimentazione - Spina G (x1)
22	Scheda di controllo (x1)



IT
ITALIANO

GARANZIA

CONDIZIONI

Tutte le griglie a pellet di legno di Pit Boss®, prodotte da Dansons, hanno una garanzia limitata a partire dalla data di vendita da parte del proprietario originale. La copertura della garanzia inizia alla data di acquisto originaria e la prova della data di acquisto o una copia della fattura di vendita originale è necessaria per convalidare la garanzia. Ai clienti saranno addebitate le spese per le parti, la spedizione e la gestione se non sono in grado di fornire una prova d'acquisto o dopo la scadenza della garanzia. Dansons offre una garanzia di cinque (5) anni contro difetti e vizi di lavorazione su tutte le parti e cinque (5) anni sui componenti elettrici. Dansons garantisce che tutte le parti sono prive di difetti di materiale e di lavorazione, per tutto il periodo d'uso e proprietà da parte dell'acquirente originale. La garanzia non copre i danni causati da usura, come graffi, ammaccature, scheggiature o piccoli danni estetici. Questi cambiamenti estetici della griglia non influiscono sulle sue prestazioni. La riparazione o la sostituzione di qualsiasi componente non supera la garanzia limitata di cinque (5) anni dalla data di acquisto.

Durante il periodo di validità della garanzia, l'obbligo di Dansons si limita alla fornitura delle parti di ricambio per i componenti difettosi e/o guasti. Nel periodo di garanzia, Dansons non addebita le spese di riparazione o di restituzione delle parti sostituite e le spese di spedizione prepagate se riscontra un difetto delle parti al momento dell'esame. Dansons non si assume le spese di trasporto, i costi di manodopera e i dazi all'esportazione. Fatta eccezione per quanto previsto nelle presenti condizioni di garanzia, la riparazione o la sostituzione delle parti secondo le modalità e per il periodo di tempo indicati in precedenza assolve Dansons da tutte le responsabilità e gli obblighi diretti e derivati nei confronti dell'acquirente.

Dansons adotta ogni precauzione per utilizzare materiali che ritardino la comparsa della ruggine. Anche con queste protezioni, i rivestimenti protettivi possono essere compromessi da varie sostanze e condizioni che esulano dal controllo di Dansons. Temperature elevate, umidità eccessiva, cloro, fumi industriali, fertilizzanti, pesticidi da prato e sale sono alcune delle sostanze che possono influenzare i rivestimenti metallici. Per questi motivi, la garanzia non copre la ruggine o l'ossidazione, a meno che non vi sia una perdita di integrità strutturale del componente della griglia. Se si verifica una delle condizioni sopra descritte, fare riferimento alla sezione relativa alla cura e manutenzione per prolungare la durata dell'unità. Dansons consiglia l'uso di una copertura per griglia quando la griglia non è in uso. Questa garanzia si basa sul normale uso domestico e sull'assistenza del grill e non si applica nessuna delle due coperture di garanzia limitata per un grill utilizzato in impieghi commerciali.

ECCEZIONI

Non esiste alcuna garanzia scritta o implicita sulle griglie Pit Boss® perché il produttore non ha alcun controllo sull'installazione, il funzionamento, la pulizia, la manutenzione o il tipo di combustibile bruciato. La presente garanzia non si applica e Dansons non si assume alcuna responsabilità se l'apparecchio non è stato installato, utilizzato, pulito e sottoposto a manutenzione in conformità con il presente manuale dell'utente. L'uso di gas non descritto nel presente manuale può invalidare la garanzia. La garanzia non copre danni o rotture dovuti a uso improprio, manipolazione o modifiche improprie. Né Dansons, né il concessionario Pit Boss® autorizzato si assumono la responsabilità, legale o di altro tipo, per i danni accidentali o consequenziali alla proprietà o alle persone derivanti dall'uso di questo prodotto. Se un reclamo per violazione della presente garanzia o di qualsiasi altro tipo di garanzia espressa o implicita per legge viene presentato contro Dansons, il produttore non sarà in alcun caso responsabile per qualsiasi danno di tipo speciale o indiretto, per danni consequenziali o di qualsiasi natura diversa dall'acquisto originale di questo prodotto. Tutte le garanzie fornite dal produttore sono stabilite nel presente documento e non verrà presentata alcuna richiesta di rimborso nei confronti del produttore sulla base di altra garanzia o dichiarazione. Alcuni stati non consentono l'esclusione o la limitazione di danni incidentali o consequenziali o le limitazioni di garanzie implicite, pertanto le limitazioni o esclusioni indicate nella presente garanzia limitata potrebbero non essere applicabili all'utente. Questa garanzia limitata conferisce all'acquirente diritti legali specifici. L'acquirente può inoltre essere titolare di altri diritti, che variano da stato a stato.

COME ORDINARE LE PARTI DI RICAMBIO

Per ordinare le parti di ricambio, contattare il rivenditore Pit Boss® locale o visitare il nostro negozio online all'indirizzo: www.pitboss-grills.com

CONTATTARE IL SERVIZIO CLIENTI

Per qualsiasi domanda o problema, contattare il Servizio Clienti all'indirizzo: www.pitboss-grills.com

ASSISTENZA IN GARANZIA

Contattare il concessionario Pit Boss® più vicino per la riparazione o la sostituzione dei componenti. Dansons richiede una prova di acquisto per convalidare una richiesta di rimborso in garanzia; pertanto, conservare la ricevuta di vendita originale o la fattura per riferimento futuro. Il numero di serie e di modello del Pit Boss® si trova all'interno del coperchio della tramoggia. Annotare i numeri riportati di seguito poiché l'etichetta potrebbe essere usurata o illeggibile.

MODELLO

NUMERO DI SERIE

DATA DI ACQUISTO

RIVENDITORE AUTORIZZATO

IT

ITALIANO

SIKKERHEDSOPLYSNINGER

EN VIGTIG ÅRSAG TIL BRAND ER MANGELFULD VEDLIGEHOLEDSE OG UTILSTRÆKKELIG AFSTAND (LUFTMELLEMNUM) TIL ANTÆNDELIGE MATERIALER. DET ER MEGET VIGTIGT, AT DETTE PRODUKT KUN INSTALLERES I OVERENSSTEMMELSE MED DISSE ANVISNINGER.

Læs og sørg for, at du forstår hele vejledningen, før du forsøger at installere, montere eller betjene produktet. På denne måde sikrer du, at du opnår en behagelig og problemfri oplevelse med din nye træpillegrill. Vi anbefaler også, at du gemmer denne vejledning til senere brug.

FARER OG ADVARSLER

Du skal kontakte din lokale bolig-, bygnings- eller brandkontor eller -myndighed, som har jurisdiktion i området, for at indhente de nødvendige tilladelser, rammer eller oplysninger om monteringsbegrænsninger f.eks. for montering af en grill på en brændbar overflade, krav om kontrol eller tilmed mulighed for at benytte i dit område.

1. Der skal altid sikres en afstand på minimum 914 mm (36 tommer) til begge sider fra brændbare konstruktioner og 914 mm (36 tommer) bag ved grillen til brændbare konstruktioner. **Undgå at installere enheden på brændbare gulve eller gulve, der er belagt med brændbare overflader, medmindre der er indhentet korrekte tilladelser fra de relevante myndigheder.** Undgå at bruge denne enhed indendørs eller i et lukket område uden ventilation, f.eks. i hjem, køretøjer, telte eller garager. Denne træpilleenhed må ikke placeres under lofter eller udhæng, der er fremstillet af brændbare materialer. Placer grillen i et ryddet område uden brændbare materialer, benzin eller andre brændbare dampe eller væsker.

Hvis fedtstoffet på grillen begynder at brænde, skal du straks slukke grillen og lade låget være lukket, indtil ilden er gået ud. Afbryd elledningen. Undgå at smide vand på enheden. Undgå at forsøge at kvæle ilden. Det er en god idé at have en almindelig godkendt brandslukker (ABC-klasse) i nærheden. Hvis ilden kommer ud af kontrol, skal du ringe til brandvæsenet.

2. Hold altid elledninger og brændstof væk fra opvarmede overflader. Undgå at bruge grillen, når det regner, eller i nærheden af andre vandkilder. Hvis strømkablet er beskadiget, skal det udskiftes af producenten, dennes serviceagent eller lignende kvalificerede personer for at undgå farer.
3. Når enheden har været opbevaret eller inaktiv i en periode, skal du kontrollere brændkarret for forhindringer, magasinet for fremmedgenstande og enhver blokering af luftgennemstrømningen i blæserens indtag eller skorstenen. Rengør før brug. Regelmæssig pleje og vedligeholdelse er forudsætningen for at optimere enhedens holdbarhed. **Hvis grillen opbevares udendørs på årstider, hvor det regner meget eller luftfugtigheden er høj, skal du sørge for, at der ikke kan trænge vand ind i magasinet.** Når træpiller bliver våde eller udsættes for høj luftfugtighed, udvider de sig markant, går i opløsning og kan tilstoppe fødersystemet. Frakobl altid strømtilførslen, inden der udføres service eller vedligeholdelse.

Undgå at transportere grillen, mens den anvendes eller er varm. Sørg for, at ilden er fuldstændig slukket, og at grillen er kølet tilstrækkeligt ned, til at den kan berøres.

4. Det anbefales at bruge varmeresistente grillhandsker eller -vanter ved håndtering af grillen. Undgå at bruge tilbehør, der ikke er angivet til brug sammen med denne enhed. Undgå at placere et grillovertræk eller andet brændbart materiale på opbevaringspladsen under grillen.

5. For at forhindre, at fingre, beklædning eller andre genstande kommer i berøring med en pilleindføringsnegl, er enheden udstyret med en metalbeskyttelsesskærm, som er monteret indvendigt i magasinet. Denne skærm må ikke fjernes, medmindre dette anvises af kundeservice eller en autoriseret forhandler.

Denne enhed kan benyttes af børn fra 8 år og opefter og af personer med reducerede fysiske, sanselige eller mentale evner eller manglende erfaring eller viden, hvis de overvåges eller instrueres vedrørende brug af enheden på sikker vis og forstår de hermed forbundne farer. Lad ikke børn lege med enheden. Rengøring og brugervedligeholdelse må ikke udføres af børn uden opsyn.

6. Dele af grillen kan være meget varm og forårsage alvorlig personskade. Hold børn og kæledyr på afstand, når enheden er i brug.
7. Undgå at forstørre tændhuller eller brændkar. Hvis denne advarsel ikke overholdes, kan det medføre brandfare og personskade og vil ophæve garantidækningen.
8. Produktet kan have skarpe kanter eller spidser. Berøring kan medføre personskade. Skal håndteres forsigtigt.

BORTSKAFFELSE AF ASKE

Aske skal placeres i en metalbeholder med tætsluttende låg. Den lukkede beholder med aske skal være placeret på et gulv af materiale, der ikke er brændbart, eller på jorden, et godt stykke væk fra alle brændbare materialer, indtil asken bortskaffes helt. Når asken bortskaffes ved at grave den ned eller ved at sprede den ud over jorden, skal den holdes i den lukkede beholder, indtil alle gløder er fuldstændigt afkølede.

TRÆPILLER SOM BRÆNDSSEL

Denne træpillefyrede enhed til madlavning er udelukkende designet og godkendt til brændsel, der er fremstillet af naturtræ i pilleform. Anvendes nogen anden form for brændsel, ophæves garantiens dækning og den angivne sikkerhedsklassifikation. Du må kun anvende træpiller af naturtræ, som er beregnet til afbrænding i en træpillegrill. Undgå at benytte brændsel, som er tilsat andre stoffer. Træpiller er meget modtagelige for fugt og skal altid opbevares i en lufttæt beholder. Hvis grillen opbevares og er inaktiv gennem en længere periode, anbefaler vi at fjerne træpillerne fra grillens magasin og indføringsnegl, for at forhindre tilstopning. Træpillebrændslets gennemsnitlige opvarmningsværdi i 8.000-8.770 BTU / LB, askeindhold <1 %.

Undgå at benytte sprit, benzin, flydende lighergas eller petroleum til antænding eller opfriskning af ilden i grillen. Hold alle væsker helt væk fra enheden, når den er i brug.

Da vejledningen her blev trykt, fandtes der ingen branchestandard for træpiller til grill, selvom næsten alle træpilleprodukter anvender de samme standarder for træpiller til brug i husholdningen. Yderligere oplysninger findes på www.pelletheat.org eller hos **Pellet Fuel Institute**.

Kontakt din lokale forhandler angående træpillernes kvalitet i dit område og for at få oplysninger om mærkets kvalitet. Da der ikke anvendes nogen kvalitetskontrol af træpiller, og eftersom vi ikke ved, om træpillerne f.eks. er fugtige, kan vi ikke påtage os noget ansvar for skader på grund af brændsel af dårlig kvalitet.

SOD

Sod, eller kreosot, er en tjærelignende substans. Under afbrænding frembringes der sort røg, som også giver en sort belægning. Sod eller kreosot dannes, når enheden betjenes forkert, f.eks. ved blokering af forbrændingsblæseren, manglende rengøring eller vedligeholdelse af afbrændingsområdet eller dårlig forbrænding på grund af forringet ventilation.

Det er farligt at bruge enheden, hvis flammen bliver mørk, det soder eller hvis brændkarret bliver overfyldt med piller. Vedåntænding kan denne sod skabe en ekstremt varm og ukontrollabel ild, svarende til en oliebrand. Hvis dette sker, skal u SLUKKE enheden, lade den køle helt af og derefter kontrollere den med henblik på vedligeholdelse og rengøring. Soden samler sig typisk omkring luftafgangsrumråderne.

Hvis der har dannet sig sod inde i enheden, skal du lade enheden varme op ved lav temperatur, slukke enheden og derefter tørre alle belægninger af med et håndklæde. Som for tjære er soden meget lettere at fjerne, når den er varm, fordi soden bliver flydende.

KULILTE ("DEN STILLE DRÆBER")

Kulilte er en farveløs, duftløs og smagsløs gas, der produceres ved afbrænding af gas, træ, propan, kul eller andet brændsel. Kulilte reducerer blodets evne til at transportere ilt. Lavt iltniveau i blodet kan resultere i hovedpine, svimmelhed, kraftsløshed, kvalme, opkast, sløvhed, forvirring, bevidstløshed eller døden. Følg disse anvisninger for at forhindre, at denne farveløse og duftløse gas forgifter dig, din familie eller andre.

- Søg læge, hvis du eller andre udvikler forkølelse eller influenzalignende symptomer under madlavningen på eller i nærheden af enheden. Kulilteforgiftning, som let kan fejlforkolkes som forkølelse eller influenza, opdages ofte for sent.
- Brug af alkohol og narkotika kan forværre kulilteforgiftningen.

Kulilte er særligt giftig for moder og barn under graviditet, spædbørn, ældre, rygere og personer med blod- eller kredsløbssygdomme som f.eks anæmi eller hjerteproblemer.

SIKKERHEDSKLASSIFICERING

Er i overensstemmelse med EN 60335-2-102:2016, EN 60335-1:2012 + A11:2014 + A13:2017 + A1: 2019 + A14: 2019 + A2: 2019, EN62233: 2008, EN 55014-1:2017, EN IEC 61000-3-2:2019, EN 61000-3-3:2013+A1:2019, EN 55014-2:2015.



ERKLÆRING OM FCC-OVERHOLDELSE

Denne enhed overholder del 15 i FCC-reglerne. Drift er underlagt følgende to betingelser: (1) Denne enhed må ikke forårsage skadelig interferens, og (2) denne enhed skal kunne håndtere enhver modtaget interferens, herunder interferens, der kan forårsage uønsket drift.



Dette udstyr er testet, og det er påvist, at det overholder grænserne for en digital enhed i klasse B i henhold til del 15 i FCC-reglerne. Disse grænser er beregnet til at give rimelig beskyttelse mod skadelig interferens i en boliginstallation. Dette udstyr genererer, bruger og kan udstråle radiofrekvensenergi, og hvis det ikke installeres og bruges i overensstemmelse med instruktionerne, kan det forårsage skadelig interferens i radiokommunikation. Der er dog ingen garanti for, at der ikke opstår interferens i en bestemt installation. Hvis dette udstyr forårsager skadelig interferens i radio- eller tv-modtagelse, hvilket kan bestemmes ved at tænde og tænde udstyret, opfordres brugeren til at prøve at afhjælpe interferensen ved hjælp af en eller flere af følgende foranstaltninger:

- Ret modtageantennen mod et andet sted, eller flyt den til et andet sted.
- Øg afstanden mellem udstyret og modtageren.
- Tilslut udstyret til en stikkontakt på et andet kredsløb end det, som modtageren er tilsluttet.
- Kontakt forhandleren eller en erfaren radio-/tv-tekniker for at få hjælp.

Forsigtig: Brugeren advares om, at ændringer eller modifikationer, der ikke udtrykkeligt er godkendt af den part, der er ansvarlig for overholdelse, kan gøre brugerens ret til at betjene udstyret ugyldig.

Bluetooth®-ordmærket og -logoet er registrerede varemærker, der ejes af Bluetooth® SIG, Inc., og enhver brug af sådanne mærker fra Espressifs side er under licens. Andre varemærker og handelsnavne tilhører deres respektive ejere.



BEMÆRKNING OM OPHAVSRET

Copyright 2021. Alle rettigheder forbeholdes. Ingen del af denne vejledning må kopieres, overføres, transskriberes, gemmes i et overførelssystem i nogen form eller på nogen måde uden udtrykkelig skriftlig tilladelse fra

DANSONS EUROPE

11 Rue Galvani Paris, Frankrig 75017

DANSONS NORDAMERIKA

3411 North 5th Avenue, Suite 500, Phoenix, AZ, USA 85013

KUNDESERVICE

www.pitboss-grills.com

INDHOLDSFORTEGNELSE

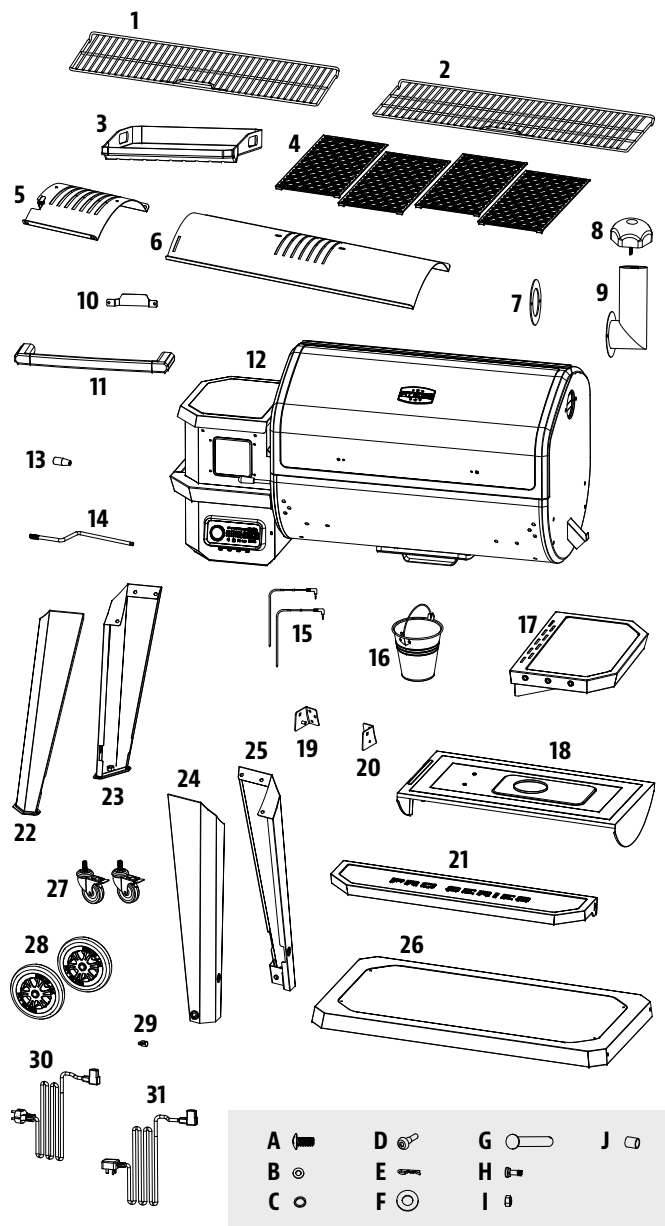
Sikkerhedsoplysninger	142
Dele og specifikationer	146
Klargøring af montage	147
Monteringsinstruktioner	
Montering af benene på hovedtønde.....	147
Montering af underhylde	148
Påsætning af hjul på vogn.....	148
Montering af låghåndtag.....	148
Samling af sidehylde	149
Montering af sidehylde	149
Fastgørelse af skorsten.....	149
Fastgørelse af beslag til forreste hylde	150
Montering af forreste hylde.....	150
Placering af beskyttelsespladen.....	150
Montering af gasgrillskomponenter	151
Montering af tilberedningskomponenter	152
Montering af stativbøjle	152
Placering af fedtspand.....	152
Montering af strømkabel.....	153
Tilslutning af en strømkilde.....	153
Betjeningsvejledning	
Grillens omgivelser	154
Interval for grillens temperatur.....	154
Aflæsning af kontrolpanel	156
Kontrolpanelfunktioner.....	157
Opret forbindelse til Smoke iT®-appen.....	159
Klargøringsprocedure for magasin	160
Første gang – afbrænding af grillen	160
Automatisk opstartsprocedure.....	160
Slukning af grillen.....	160
Pleje og vedligeholdelse	161
Tip og teknikker	163
Fejlfinding	164
Strømskema	166
Reserve dele	
Reserve dele til grillen	167
Reserve dele til magasinet	168
Garanti.....	169

DK

DANSK

DELE OG SPECIFIKATIONER

Delnr.	Beskrivelse
1	Øverste stegestativ (x1)
2	Mellemste stegestativ (x1)
3	Grillplade (x1)
4	Stegeriste (x4)
5	Skyderplade til gasgrill (x1)
6	Hovedplade i gasgrill (x1)
7	Skorstenspakring (x1)
8	Skorstenskappe (x1)
9	Skorstensskakt (x1)
10	Stativbøjle (x1)
11	Låghåndtag (x1)
12	Hovedtønde/magasinenhed (x1)
13	Håndtag til justeringsstang til gasgrill (x1)
14	Justeringsstang til gasgrill (x1)
15	Stegetermometer (x2)
16	Fedtspand (x1)
17	Sidehylde (x1)
18	Beskyttelsesplade (x1)
19	Beslag til forreste hylde/venstre (x1)
20	Beslag til forreste hylde/højre (x1)
21	Forreste hylde (x1)
22	Venstre støtteben/forrest (x1)
23	Venstre støtteben/bagest (x1)
24	Højre støtteben/forrest (x1)
25	Højre støtteben/bagest (x1)
26	Underhylde (x1)
27	Møbelhjul med lås (x2)
28	Hjul (x2)
29	Strømkabelklemme (x1)
30	Strømkabel - F-stik (x1)
31	Strømkabel - G-stik (x1)
A	Skrue (x28)
B	Spændeskive (x24)
C	Fjederskive (x22)
D	Værktøjskrog (x3)
E	Hjulsplitt (x2)
F	Hjulspændeskive (x2)
G	Hjulakselstift (x2)
H	Skrue (x2)
I	Møtrik (x2)
J	Bøsning (x2)



A	D	G	J
B	E	H	
C	F	I	

BEMÆRK: På grund af løbende produktudvikling kan dele være ændret uden varsel. Kontakt kundeservice, hvis der mangler dele ved montering af enheden.

PB - STRØMKRAV
220-240 V, 50 Hz, 275 W, JORDFORBUNDET STIK

MODEL	SAMLET (B x D x H)	VÆGT	STEGEOMRÅDE	TEMPERATURINTERVAL
PB PB1600PS1	1.587,5 MM x 813,5 MM x 1.400 MM / 62,50" x 32,03" x 55,12"	110,0 KG/242,5 LB	ØVERSTE STATIV - 2.474,8 CM ² /383,6" ² MIDTERSTE - 3.249,6 CM ² /503,7" ² HOVED - 4.587,1 CM ² /711,0" ² TOTAL - 10.311,5 CM ² /1.598,3" ²	82-260 °C/180-500 °F

KLARGØRING AF MONTAGE

Delene er fordelt i forsendelseemballage, også under grillen. Kontroller grillen, dele og hardwareblisterpakke efter udtagning fra den beskyttende fragtkasse. Bortskaf al emballage inde i og omkring grillen, før den samles. Gennemgå og kontroller alle dele ud fra den medfølgende liste over dele. Hvis en del mangler eller er beskadiget, må du ikke forsøge at montere den. Skader som følge af fragten dækkes ikke af garantien. Kontakt din forhandler eller Pit Boss®-kundeservice angående dele.

www.pitboss-grills.com

VIGTIGT: Det er en fordel at være to personer ved montering af denne enhed (dog ikke nødvendigt).

Krævede værktøjer ved montering: skruetrækker og vaterpas. *Værktøj er ikke inkluderet.*



MONTERINGSINSTRUKTIONER

VIGTIGT: Det anbefales at læse hvert trin helt igennem, før du påbegynder monteringen ifølge anvisningerne. Undgå at tilspænde skruerne helt, indtil alle skruer for det pågældende trin er skruet i. Hardwaren omfatter en fjederskive og en spændeskive, som skal bruges sammen med fjederskiven tættest på skruens hoved.

1. MONTERING AF BENENE PÅ HOVEDTØNDE

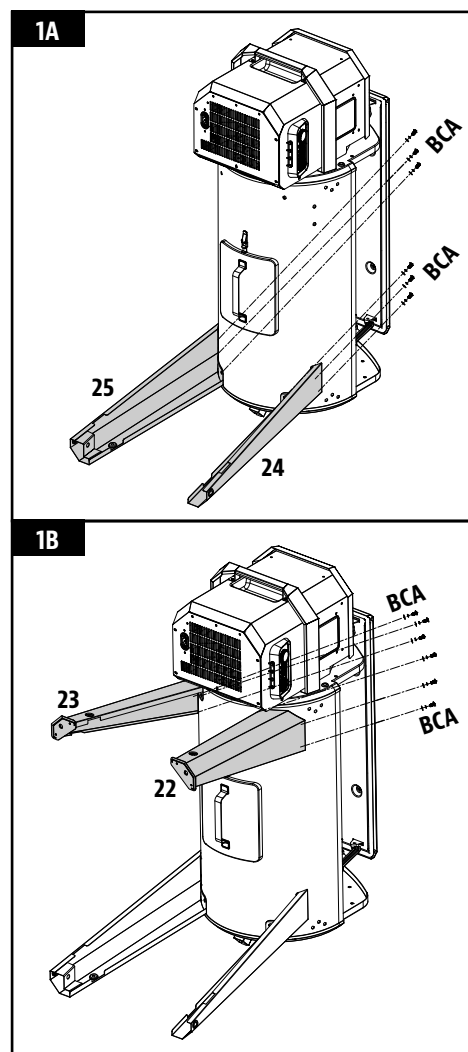
Krævede dele:

- 1 x Hovedtønne/magasinenhed (#12)
- 1 x Venstre støtteben/forrest (#22)
- 1 x Venstre støtteben/bagest (#23)
- 1 x Højre støtteben/forrest (#24)
- 1 x Højre støtteben/bagest (#25)
- 12 x Skrue (#A)
- 12 x Spændeskive (#B)
- 12 x Fjederskive (#C)

Montering:

- Placer et stykke pap på gulvet for ikke at komme til at ridse enheden og delene under monteringen. Læg hovedtønden på siden på kartonstykket, så magasinets ende vender opad.
- Monter det forreste højre støtteben på gulvenden af hovedtønden ved hjælp af tre skruer, fjederskiver og spændeskiver gennem de tre forborede huller. Monter skruer fra indersiden af hovedtønden. Gentag monteringen for det bageste højre støtteben. Bemærk illustration 1A.
- Monter derefter det forreste venstre støtteben på magasinenden af hovedtønden ved hjælp af tre skruer, fjederskiver og spændeskiver gennem de tre forborede huller. Monter skruer fra indersiden af hovedtønden. Gentag monteringen for det bageste venstre støtteben. Bemærk illustration 1B.

VIGTIGT: Stram ikke skruerne helt, før den nederste hylde er monteret i næste trin.



DK

DANSK

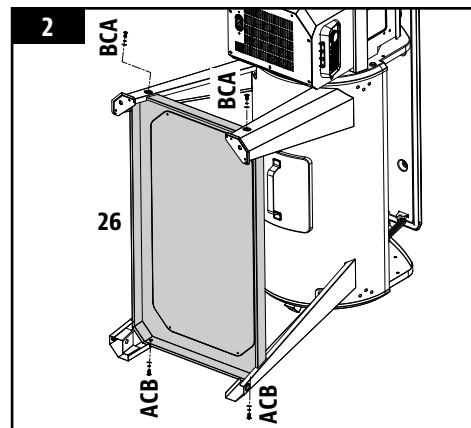
2. MONTERING AF UNDERHYLDE

Krævede dele:

- 1 x Underhylde (#26)
- 4 x Skrue (#A)
- 4 x Spændeskive (#B)
- 4 x Fjederskive (#C)

Montering:

- Monter underhylden på hvert støtteben med en skrue, en fjederskive og en spændeskive. Sørg for, at den flade overflade på hylden vender opad mod grilltønden.



3. PÅSÆTNING AF HJUL PÅ VOGN

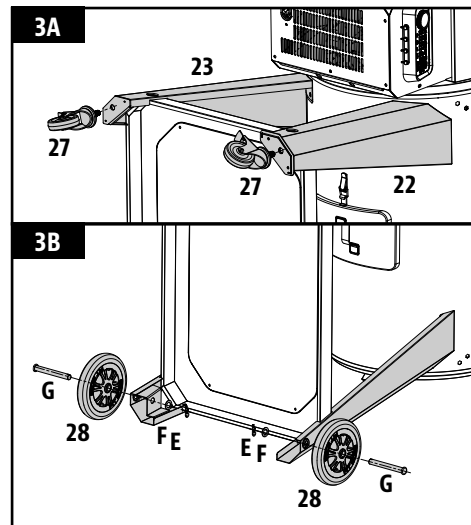
Krævede dele:

- 2 x Møbelhjul med lås (#27)
- 2 x Hjul (#28)
- 2 x Hjulsplit (#E)
- 2 x Hjulspændeskive (#F)
- 2 x Hjulakselstift (#G)

Montering:

- Indfør hvert møbelhjul med lås i bunden af hvert venstre støtteben, og skru derefter hjulene fast med håndkraft. Sørg for, at hvert møbelhjul med lås er sat helt i. Bemærk illustration 3A.
- Monter hvert hjul på hvert højre støtteben ved at føre hjulakselstiften gennem hjulet, hullet i støttebenet og hjulets spændeskive. Fastgør til sidst hjulet med hjulsplitten. Bemærk illustration 3B.
- Når hylden er fastgjort, skal du løfte grillen forsigtigt op til stående position.

VIGTIGT: Tilspænd støttebenskrueerne igen for at sikre, at de er sidder helt fast, efter at grillen er placeret i stående position.



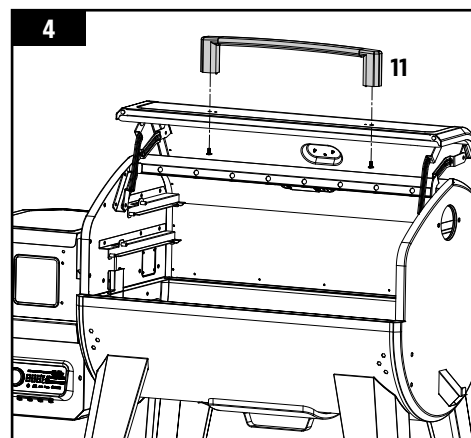
4. MONTERING AF LÅGHÅNDTAG

Krævede dele:

- 1 x Låghåndtag (#11)

Montering:

- Fjern de formonterede skruer fra låghåndtaget. Fra indersiden af tøndelåget: isæt en skrue, der stikker gennem ydersiden, og håndstram derefter skruen (indefra) ind i låghåndtaget. Gentag den samme installation for den anden ende af låghåndtaget.



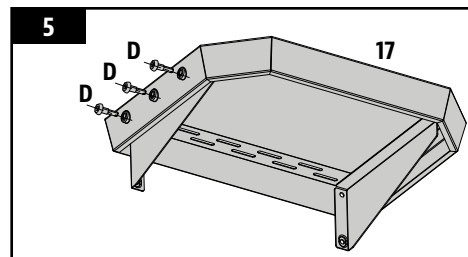
5. SAMLING AF SIDEHYLDE

Krævede dele:

- 1 x Sidehylde (#17)
- 3 x Værktøjskrog (#D)

Montering:

- Vend sidehylden på hovedet. På kanten af sidehylden med tre huller monteres værktøjskrogene i hvert hul langs kanten. Værktøjskrogene fastgøres til møtrikken, der på forhånd er monteret på indersiden.



6. MONTERING AF SIDEHYLDE

Krævede dele:

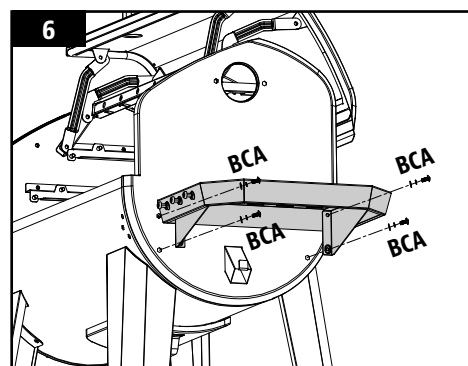
- 4 x Skruer (#A)
- 4 x Fjederskive (#C)
- 4 x Spændeskive (#B)

Montering:

- Fastgør sidehylden til hovedtøndens sidepanel nedefra ved hjælp af fire skruer, fjederskiver og spændeskiver.

BEMÆRK: Undgå at spænde skrueerne helt, indtil alle skrueer er skruet i. Når alle skrueer er installeret, skal de spændes godt til.

VIGTIGT: Brug ikke hylderne til at flytte eller løfte grillen. Enhedens vægt vil resultere i, at hylderne går i stykker, hvilket ikke er dækket af garantien.



7. FASTGØRELSE AF SKORSTEN

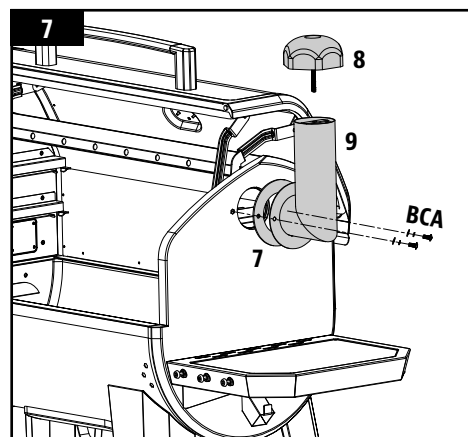
Krævede dele:

- 1 x Skorstenspakring (#7)
- 1 x Skorstenskappe (#8)
- 1 x Skorstensskakt (#9)
- 2 x Skruer (#A)
- 2 x Fjederskive (#C)
- 2 x Spændeskive (#B)

Montering:

- Find skorstensåbningen på siden af hovedtønden. Fastgør skorstensskakten og skorstenspakringen til sidepanelet udefra ved hjælp af to skruer, fjederskiver og spændeskiver. Skruen fastgør sig til den formonterede møtrik på indersiden af tønden.
- Fastgør derefter skorstenskappen oven på skorstensskakten ved at dreje skorstenskappeskruen ind i skorstensskakten.

BEMÆRK: Juster skorstenskappen for at påvirke luftgennemstrømningen i hovedgrillen. Hvis du bruger en lav temperatur, skal kappen holdes mere åben. Sørg for, at skorstenskappen tillader, at luften kan slippe ud.



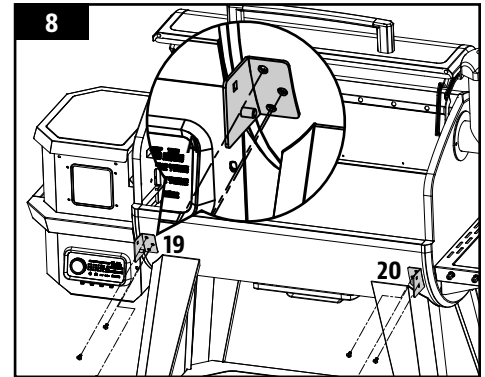
8. FASTGØRELSE AF BESLAG TIL FORRESTE HYLDE

Krævede dele:

- 1 x Beslag til forreste hylde/venstre (#19)
- 1 x Beslag til forreste hylde/højre (#20)
- 6 x Skruer (#A)

Montering:

- Fastgør et beslag til den forreste hylde på grilltøndens forside ved hjælp af tre skruer. Start med at skruer hver skruer halvejs ind og derefter helt ind, når alle tre skruer sidder rigtigt.
- Gentag monteringen for det andet beslag til den forreste hylde.



9. MONTERING AF FORRESTE HYLDE

Krævede dele:

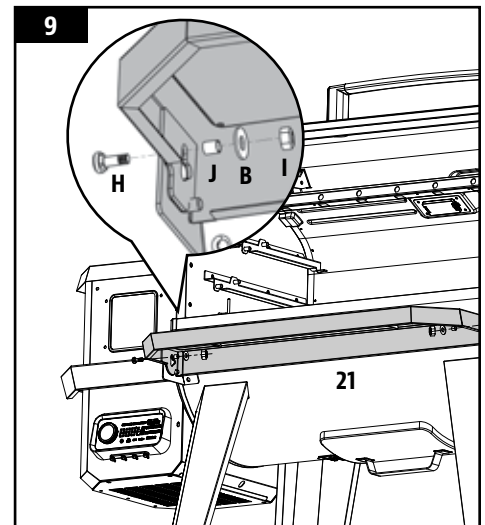
- 1 x Forreste hylde (#21)
- 2 x Spændeskive (#B)
- 2 x Skruer (#H)
- 2 x Møtrik (#I)
- 2 x Bøsning (#J)

Montering:

- Isæt skruen nedefra (fra ydersiden) ind i beslaget til den forreste hylde og den forreste hylde, og sæt derefter bøsningen på skruen, spændeskiven og derefter møtrikken. Gentag monteringen for den anden side af den forreste hylde.

BEMÆRK: Når den forreste hylde er monteret korrekt, kan den hæves (til brug) og sænkes (til opbevaring).

VIGTIGT: Brug ikke hylderne til at flytte eller løfte grillen. Enhedens vægt vil resultere i, at hylderne går i stykker, hvilket ikke er dækket af garantien.



10. PLACERING AF BESKYTTELSESPLADE

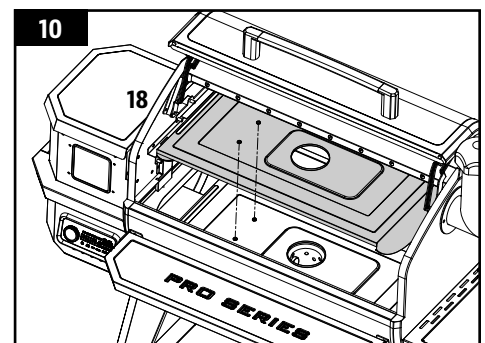
Krævede dele:

- 1 x Beskyttelsesplade (#18)

Montering:

- Placer beskyttelsespladen i hovedtønden, så den midterste åbning flugter direkte med det cirkulære brændekar i bunden af hovedtønden.

BEMÆRK: Beskyttelsespladen kræver ikke fastgørelse.



11. MONTERING AF GASGRILLKOMPONENTER

Krævede dele:

- 1 x Skyderplade i gasgrill (#5)
- 1 x Hovedplade i gasgrill (#6)
- 1 x Håndtag til justeringsstang til gasgrill (#13)
- 1 x Justeringsstang til gasgrill (#14)

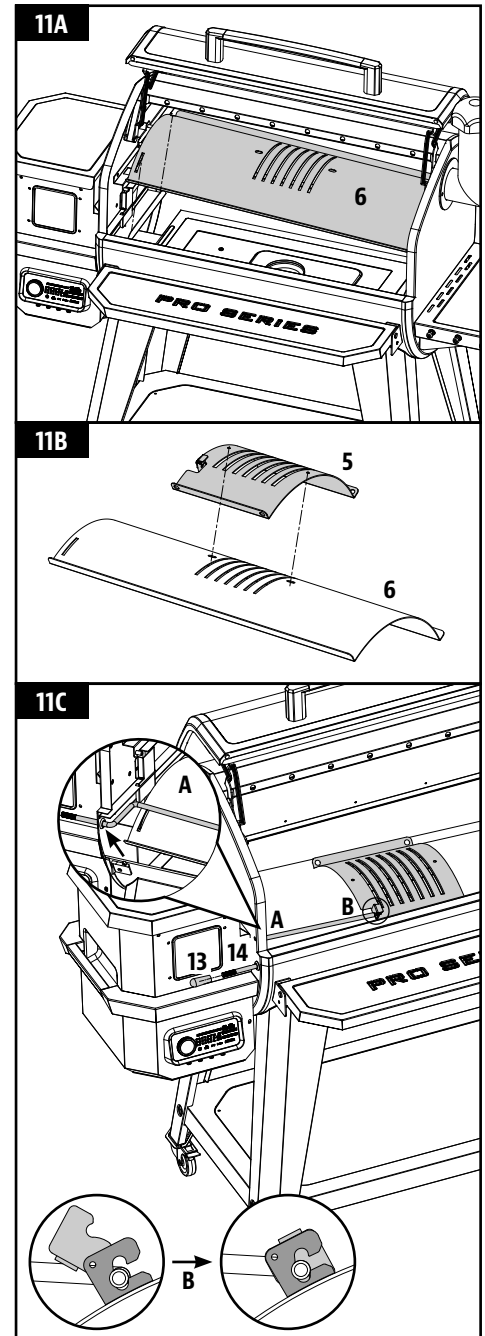
Montering:

- Før hovedpladen i gasgrillen ind i hovedgrillen med højre side først. Lad hovedplade i gasgrillen hvile på den indbyggede kant (indvendigt i højre side) i hovedgrillen, hvor fedtstoffet føres mod fedtspanden. Skub hele stykket til venstre, så de to riller på hovedpladen i gasgrillen passer ind i den afrundede afsats over brændekarret. Den vil vippe en smule nedad. Bemærk 11A.

VIGTIGT: Hvis hovedpladen i gasgrillen sidder i bunden af tønden, er den ikke monteret korrekt. Hovedpladen i gasgrillen skal sidde lidt skævt, idet den venstre side er placeret højere end den højre. Dårlig installation af denne del kan føre til beskadigelse af din hovedgrilltønde.

- Placer skyderplade til gasgrillen oven på hovedpladen i gasgrillen, så den dækker ventilationsåbningerne. Sørg for, at den forhøjede tap er til venstre, så du let kan justere mellem direkte eller indirekte varme under madlavningen. Bemærk illustration 11B. Begge dele af gasgrillen er belagt med et tyndt olielag for at undgå, at det rustner under fragten.
- Fjern derefter håndtaget til justeringsstangen til gasgrillen fra justeringsstangen. Indfør justeringsstangen til gasgrillen i hullet på venstre side af hovedtønden. Fastgør igen håndtaget til justeringsstangen til gasgrillen på den ende af stangen, der er uden for tønden. Skub derefter den anden ende af justeringsstangen ind i låsetappen på skyderpladen til gasgrillen, så du kan tilgå og justere skyderpladen på hovedpladen. Bemærk trin i 11C.

BEMÆRK: Når skyderpladen til gasgrillen er åben, og der anvendes direkte varme til madlavningen, må du ikke lade grillen være uden opsyn på noget tidspunkt.



12. MONTERING AF TILBEREDELSESKOMPONENTER

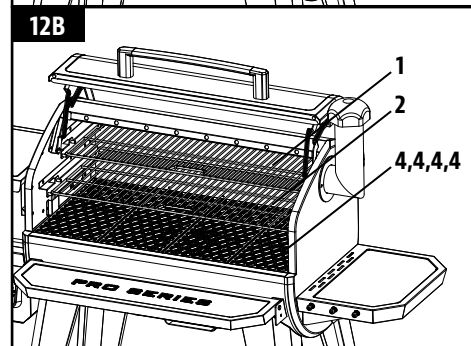
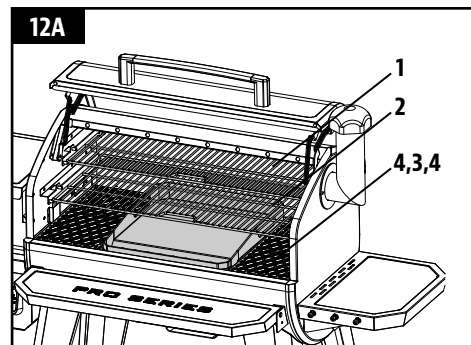
Krævede dele:

- 1 x Øverste stegestativ (#1)
- 1 x Mellemsste stegestativ (#2)
- 1 x Grillplade (#3)
- 4 x Stegeriste (#4)

Montering:

- Vælg den ønskede hovedstegningsoverflade: to stegeriste med grillplade (vist i 12A) eller fire stegeriste (vist i 12B). Placer den valgte kombination af stegeriste på de nedre afsatser inde i hovedgrillen.
- Placer det mellemsste stegestativ på de midterste afsatser inde i hovedgrillen. Placer det øverste stegestativ på de øverste afsatser inde i hovedtønden.

BEMÆRK: For at bevare stegeristene og stegestativernes egenskaber til at brune og grille er det nødvendigt at efterse og vedligeholde dem regelmæssigt.



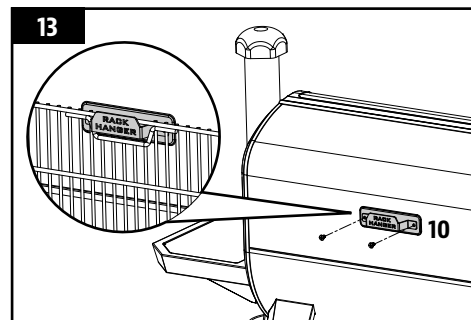
13. MONTERING AF STATIVBØJLE

Krævede dele:

- 1 x Stativbøjle (#10)

Montering:

- Fastgør stativbøjlen til bagpanelet på hovedtønden ved hjælp af de to formonterede skruer. Stegestativer kan hænges på stativbøjlen, når de ikke er i brug.



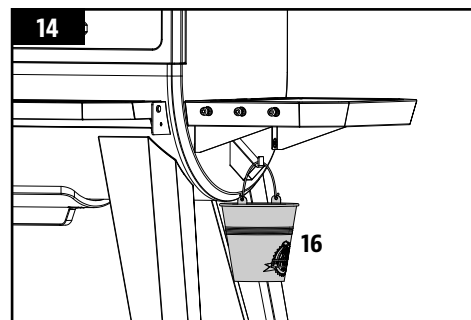
14. PLACERING AF FEDTSPAND

Krævede dele:

- 1 x Fedtspand (#16)

Montering:

- Placer fedtspanden på tudens krog på enden af hovedtønden. Sørg for, at spanden hænger lige, så fedtet ikke spildes.
- Enheden er nu færdigmonteret.



15. MONTERING AF STRØMKABEL

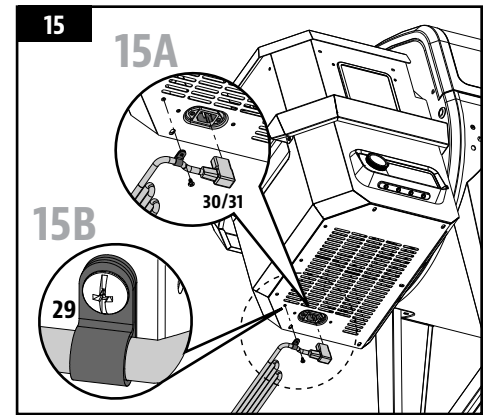
BEMÆRK: Der leveres to strømkabler. Vælg det strømkabel, der kræves til din region.

Krævede dele:

- 1 x Strømkabelklemme (#29)
- 1 x Strømkabel (#30 eller #31)

Montering:

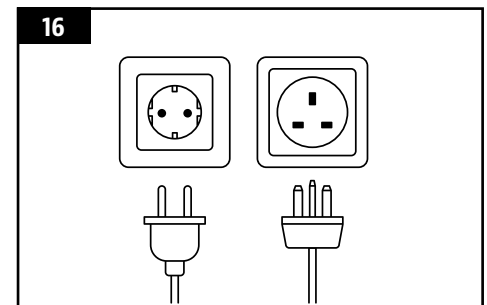
- Anbring strømkabelklemmen på strømkablet. Isæt derefter strømkablet i rillen nederst på enheden. Bemærk 15A.
- Fastgør strømkabelklemmen til bundpanelet ved hjælp af den forudinstallerede skrue, sådan som det er vist. Bemærk 15B.



16. TILSLUTNING TIL EN STRØMKILDE

- **STANDARDSTIKKONTAKT**
Dette apparat kræver 220-240 volt, 50 Hz, 275 watt. Strømtikket skal jordforbindelse. Inden ibrugtagning skal du sikre, at benet jordforbindelsen ikke er brækket af. Kontrolpanelet benytter en hurtigtvirkende sikring på 220-240 V til at beskytte panelet mod tænderen.

VIGTIGT: Kobl enheden fra strømkilden, når den ikke er i brug.



BETJENINGSVEJLEDNING

Med den moderne livsstil, hvor vi forsøger at spise sundt og ernæringsrigtigt, er reduktionen af fedtindtaget en væsentlig faktor. En af de bedste metoder til at skære ned på fedtet i kosten er at bruge fedtfattige tilberedningsmetoder, f.eks. grill. Da en træpillegrill bruger træpiller af naturtræ, optages træets gode aroma i kødet og reducerer behovet for marinader med højt sukkerindhold. I denne vejledning vil du bemærke, hvor meget der lægges vægt på at grille maden langsomt ved temperaturindstillingerne LOW (Lav) eller MEDIUM (Mellem).

GRILLENS OMGIVELSER

1. HVOR SKAL GRILLEN PLACERES

Som for alt udendørs udstyr spiller vejrforholdene en vigtig rolle for grillens resultater og den tilberedningstid, der kræves for at skabe det perfekte måltid.

Alle Pit Boss®-enheder skal som minimum have en afstand på 914 mm (36 tommer) til brændbare konstruktioner, og denne afstand skal bevares, mens grillen er i brug. Denne enhed må ikke placeres under lofter eller udhæng, der er fremstillet af brændbare materialer. Placer grillen i et område, der er ryddet for brændbare materialer, benzin eller andre brændbare dampe og væsker.

2. STEGNING I KOLDT VEJR

Selvom det bliver køligere udenfor, behøver grillsæsonen ikke være slut! Den friske, kølige luft og den skønne duft af røgede fødevarer vil jage vinterdepressionen på flugt.

Følg disse forslag for at kunne nyde din grill gennem de kolde måneder:

- Hvis rygning ved lave temperaturer ikke lykkes, skal du øge temperaturen en smule for at opnå bedre resultater.
- Arranger – Sørg for, at du har alt klar i køkkenet, før du går udenfor. Om vinteren kan du flytte grillen til et område væk fra den kolde blæst. Kontroller de lokale bestemmelser angående afstanden mellem din grill og dit hus og/eller andre konstruktioner. Placer alt, du har brug for, på en bakke, klæd dig godt på, og gå i gang!
- For at kunne holde øje med temperaturen udenfor kan du placere et udendørsthermometer i nærheden af grillen. Før en log eller et register over, hvad du har stegt, udendørstemperaturen og tilberedningstiden. Det kan senere gøre det lettere at finde ud af, hvad du kan tilberede, og hvor længe det vil tage.
- I meget koldt vejr skal du øge forvarmningstiden med mindst 20 minutter.
- Undgå at løfte låget mere end absolut nødvendigt. Kolde vindstød kan køle grillens temperatur ned på et øjeblik. Indstil dig på et fleksibelt serveringstidspunkt, da tilberedningstiden øges, hver gang du åbner låget.
- Sørg for at have en opvarmet tallerken eller et låg klar for at holde maden varm, mens du bærer den ind.
- Ideelle fødevarer til madlavning om vinteren er dem, der kræver begrænset opmærksomhed, som f.eks. stege, hele kyllinger, ribbensteg og kalkun. Gør forberedelsen af måltidet endnu lettere ved at tilføje simpelt tilbehør som f.eks. grøntsager og kartofler.

3. STEGNING I VARMT VEJR

Når det bliver varmere udenfor, reduceres tilberedningstiden.

Følg disse få forslag for at kunne nyde din grill gennem de varme måneder:

- Nedjuster stegetemperaturen. På den måde undgår du uønsket opblussen.
- Brug et stegetermometer til at fastlægge den indvendige temperatur i maden. På denne måde kan du forhindre, at kødet bliver overstegt og tørt.
- Selv i varmt vejr er det stadig bedre at grille med låget på.
- Du kan holde maden varm ved at pakke den ind i folie og placere den i en isoleret køletaske. Fyld sammenkrøllet avispapir omkring den folieindpakkede mad, så kan du holde den varm i 3-4 timer.

INTERVAL FOR GRILLENS TEMPERATUR

Temperaturudlæsninger fra kontrolpanelet svarer muligvis ikke helt til termometeret. Alle de temperaturer, der er anført nedenfor, er omtrentlige og bliver påvirket af følgende faktorer: udendørs omgivende temperatur, vindens kraft og retning, kvaliteten af det anvendte pillebrændsel, låget skal åbnes, og mængden af mad, der tilberedes.

- **HØJ TEMPERATUR (205-260 °C/401-500 °F)**

Dette interval anvendes bedst til bruning og grillning ved høj varme. Bruges sammen med gasgrillen (skyderplade) til tilberedning ved indirekte eller direkte varme. Når **gasgrillen er åben**, anvendes der direkte varme til at opnå de kendte "blå" streger samt grillning af grøntsager, hvidløgsbrød eller marshmallows! Når **gasgrillen er lukket**, kan luften cirkulere omkring tøndens og danne konvektionsvarme. Høj temperatur anvendes også til at forvarme din grill, brænde stegeristene af og opnå høj varme ved i meget kolde vejrforhold.

- **MELLEMTEMPERATUR (135-180 °C/275-356 °F)**

Dette interval er bedst til bagning, stegning og afslutning på en langsom rygning. Tilberedning ved disse temperaturer vil især reducere risikoen for antænding af fedtet. Kontroller, at skyderpladen til gasgrillen er i lukket position, så den dækker ventilationsåbningerne. Velegnet temperaturinterval til stegning af alt, der er pakket ind i bacon, eller når du vil kunne variere temperaturen.

- **LAV TEMPERATUR (82-125 °C/180-257 °F)**

Dette interval bruges til langtidsstegning, øge den røgede smag og holde maden varm. Giv kødet mere røgsmag, og hold det saftigt ved at stege det i længere tid ved en lavere temperatur (også kendt som **lav og længe**). Anbefales varmt til den store gås til jul, den saftige lammekølle eller skinke til påske og den store steg til festen.

Rygnings er en variation af ægte grilltradition og er den største fordel ved at grille på en træpillegrill. **Varmrygning**, et andet navn for tilberedning **over lang tid ved lav varme**, foregår generelt ved 82-125 °C/180-257 °F. Varmrygning fungerer bedst, når der kræves længere tilberedningstid, f.eks. ved store udskæringer af kød, fisk eller fjerkræ.

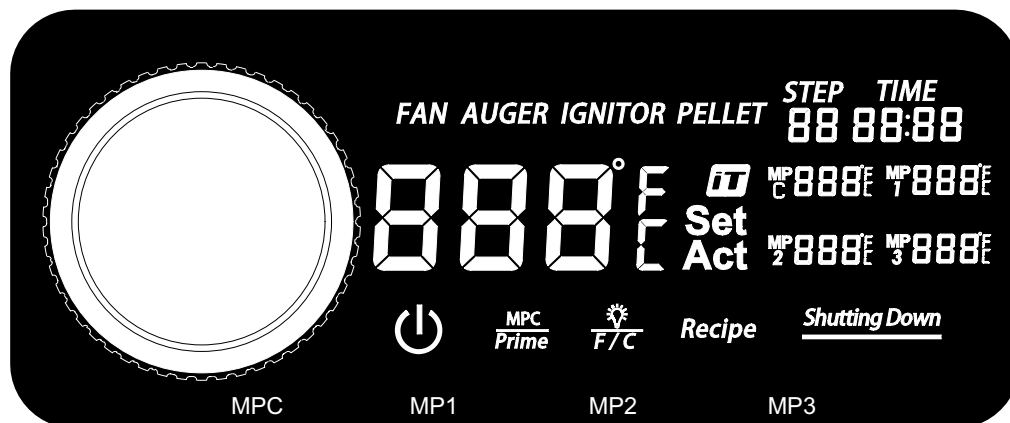
TIP: For at fremme den fyldige smag skal du skifte til et lavt temperaturinterval, umiddelbart efter du har placeret maden på grillen. På denne måde kan røgen trænge ind i kødet.





Det vigtigste er at eksperimentere med, hvor længe du lader rygningen være, inden maden er færdigtilberedt. Nogle udendørskokke foretrækker at ryge i slutningen af tilberedningen, så maden kan holde sig varm frem til serveringstidspunktet. Øvelse gør mester!

AFLÆSNING AF KONTROLPANELET

Dette digitale P.I.D.-kontrolpanel (Proportional-Integral-Derivat) er stort set det samme som kontrollerne på din køkkenovn. De største fordele er muligheden for automatisk at kompensere for de forskellige omgivelserforhold og brændstoftyper.

VIGTIGT: Temperaturen inden i enhver grill varierer meget fra sted til sted. Selv instrumenter, der er kalibreret sammen, er måske ikke enige med hinanden.



STYRINGSKNAP	BESKRIVELSE
	Tryk én gang på denne knap for at tænde for enheden. Dette starter den automatiske opstart. Tryk og hold på denne knap i tre sekunder for at slukke for enheden ved at aktivere den automatiske afkølingscyklus. Knappen lyser konstant, når den er tilsluttet en strømkilde, og når enheden er tændt.
	Smoke iT®-ikonet angiver brugen af en WiFi-forbindelse. Når du søger efter en forbindelse via Wi-Fi eller via Bluetooth®, blinker Smoke iT®-ikonet. Når der er oprettet en Wi-Fi-forbindelse, lyser Smoke iT®-ikonet konstant. Når der er oprettet forbindelse, kan du modtage løbende oplysninger om grillens faktiske og indstillede temperaturer, tilberedningstiden og stegetermometerets målinger. Den giver dig også mulighed for at justere indstillingerne på dit kontrolpanel.
	Denne knap har to funktioner: temperaturenhedskontakt og lys. <ol style="list-style-type: none"> 1. Tryk hurtigt på denne knap for at tænde og slukke for lyset inde i grilltønden. 2. Tryk og hold denne knap nede i tre sekunder for at aktivere temperaturenhedskontakten og ændre temperaturudlæsningen. Skift mellem celsius (°C) og fahrenheit (°F) som ønsket. Standardindstillingen er celsius (°C).
	Denne knap har to funktioner: stegetermometerkontrol og klargøringsknap. <ol style="list-style-type: none"> 1. Et hurtigt tryk på denne knap aktiverer det programmerbare stegetermometer – som er den første plug-in-port til stegetermometer. Brug styringsknappen til at indstille temperaturen for det programmerbare stegetermometer. Tryk på styringsknappen igen for at bekræfte og afslutte indstillingerne af det programmerbare stegetermometer. 2. Tryk på denne knap, og hold den nede i tre sekunder for at aktivere en manuel kontinuerlig tilførsel af træpiller til brændkarret. Hvis du slipper knappen, stoppes den manuelle tilførsel af træpiller. Dette kan bruges til at tilføje mere brændsel til ilden, før du åbner tøndelåget, med henblik på hurtigt at genoprette varmen. Det kan også bruges under rygning for at øge intensiteten af den rene røgsmag. Denne funktion blev anmodet om i forbindelse med grill-konkurrencer.

DK

DANSK



Styringsknappen bruges til at øge, formindske og vælge en indstillingsværdi. Drej styringsknappen for at vælge tid, temperatur eller trin i en aktiv indstillingsmenu. Tryk på styringsknappen for at bekræfte den valgte værdi.

888°F Set Act

Den midterste udlæsning viser både den faktiske og indstillede temperatur. Den faktiske temperatur vises konstant, medmindre den indstillede temperatur justeres. Den faktiske temperatur er temperaturen inde i hovedtønden. Den aktuelle temperaturudlæsning tages af grillmåleren (sensoren) inde i grilltønden.

Tryk på styringsknappen for at vise den indstillede temperatur. Den indstillede temperatur er aktiv, når udlæsningen blinker. For at justere den indstillede temperatur kan du dreje styringsknappen efter behov. Når den ønskede indstillede temperatur er nået, skal du trykke på styringsknappen for at bekræfte den indstillede temperatur, hvorefter udlæsningen vender tilbage til den faktiske temperatur.

Recipe

Tryk på knappen en gang for at aktivere opskriftstrinnene. Der er ni opskriftstrin tilgængelige til indstilling. Juster indstillingerne for hvert opskriftstrin ved hjælp af styringsknappen.

STEP
88

Viser det aktuelle opskriftstrin.

TIME
88:88

Viser den tid, der er indstillet under opskriftstrinnet. Tryk på opskriftsknappen for at aktivere opskriftsindstillingerne. Brug styringsknappen til at skifte gennem opskriftstrinnene, hvoraf det ene er tiden.

MP 888°F
C

Viser den faktiske og indstillede temperatur for det programmerbare stegetermometer – som er den første plug-in-port til stegetermometer. Den faktiske temperatur vises konstant, medmindre den indstillede temperatur justeres. Når der trykkes på stegetermometerstyringsknappen, blinker den valgte stegetermometerudlæsning, og den indstillede temperatur kan justeres. Når det ikke i brug, skal du fjerne stegetermometeret fra forbindelsesporten, og koden "noP" vises. Kun kompatibelt med stegetermometre af mærket Pit Boss®.

MP 1 888°F
MP 2 888°F
MP 3 888°F

Viser den aktuelle temperatur for et stegetermometer. Disse tre stegetermometerudlæsninger svarer til den valgte plug-in-forbindelsesport. Når det ikke i brug, skal du fjerne stegetermometeret fra forbindelsesporten, og koden "noP" vises. Kun kompatibelt med stegetermometre af mærket Pit Boss®.

Shutting Down

Denne udlæsning vises, efter at slukning er valgt. Det indikerer, at den automatiske nedkølingscyklus er startet. Når nedkølingscyklussen er afsluttet, vil udlæsningen ikke længere være synlig.

FAN

FAN-ikonet er synligt, når blæseren er i drift. Når FAN-ikonet blinker, fungerer blæseren ikke. Se afsnittet om fejlfinding for at få hjælp.

AUGER

AUGER-ikonet er synligt, når indføringsneglen drejer. Når AUGER-ikonet blinker, fungerer indføringsneglen ikke. Se afsnittet om fejlfinding for at få hjælp.

IGNITOR

IGNITOR-ikonet er synligt, når tænderen er i brug. Når IGNITOR-ikonet blinker, fungerer tænderen ikke. Se afsnittet om fejlfinding for at få hjælp.

PELLET

Når PELLET-ikonet er synligt, er ilden i brændkarret gået ud, eller magasinet er muligvis tomt. Se afsnittet om fejlfinding for at få hjælp.

DK

DANSK

KONTROLPANELFUNKTIONER

· *INDSTILLING AF GRILLTEMPERATUR*

Grillmåleren måler den indvendige temperatur i hovedtønden. Når den indstillede temperatur justeres, aflæser grillmåleren den aktuelle temperatur inden i hovedtønden og justerer til den ønskede indstillingstemperatur.

VIGTIGT: Enhedens temperatur er meget afhængigt af vejret udenfor, kvaliteten af de anvendte træpiller, træpillernes aroma og mængden af mad, der tilberedes.

INDSTILLING/JUSTERING AF DEN INDSTILLEDE TEMPERATUR

Følg nedenstående trin for at justere den ønskede indstillingstemperatur på grillen:

1. Tryk på styringsknappen. Dette vil gøre, at udlæsningen for indstillingstemperaturen blinker, for at vise, at den er aktiv.
2. Brug styringsknappen igen til at justere til den ønskede temperatur.
3. Når den ønskede indstillede temperatur er nået, skal du trykke på styringsknappen for at bekræfte den indstillede temperatur, hvorefter udlæsningen vender tilbage til den faktiske temperatur.

· *BRUG AF DET PROGRAMMERBARE STEGETERMOMETER*

Stegetermometeret måler den indvendige temperatur på kødet på grillen, ligesom i ovnen i dit køkken. Indsæt stegetermometeret i rustfrit stål i den tykkeste del af kødet. Den indvendige temperatur af kødet vises på kontrolpanelets udlæsning. Sæt adapteren til stegetermometeret i tilslutningsporten til stegetermometeret, og sørg for, at den er sat helt ind i stikket. Du vil kunne mærke og høre, at den smækker på plads. Det sørger ikke blot for, at kødet steges til den ønskede temperatur, men det reducerer automatisk din grilltemperatur til lav (82 °C/180 °F) for at holde maden varm, indtil den er klar til servering. Indstil det, og så kan du slappe af, mens stegetermometeret gør resten!

BEMÆRK: Ved placering af stegetermometeret i kødet skal du sikre, at stegetermometeret og ledningen ikke kommer i direkte berøring med ilden eller høj varme. Dette kan resultere i beskadigelse af stegetermometeret. Før den overskydende ledning ud af de bageste udstødningshuller i hovedtønden, øverst i hovedtønden (nær hængslet på grilllåget) eller gennem det forreste hul nær magasinet. Når stegetermometeret ikke er i brug, skal du koble det fra tilslutningsstikket og placere det i hullerne på magasin håndtaget for beskytte det og holde det rent.

INDSTILLING/JUSTERING AF DET PROGRAMMERBARE STEGETERMOMETER

Følg nedenstående trin for at programmere den ønskede indstillede temperatur for det programmerbare stegetermometer:

1. Tryk hurtigt på stegetermometerstyringsknappen for at aktivere det programmerbare stegetermometer. Når stegetermometeret er aktivt, blinker dets temperaturlæsning.
2. Brug styringsknappen til at justere til den ønskede indstillingstemperatur.
3. Når den ønskede indstillingstemperatur for dit valgte stegetermometer er nået, skal du trykke på styringsknappen igen for at bekræfte og afslutte de programmerbare stegetermometerindstillinger.

• **INDSTILLING AF EN OPSKRIFT**

Opskriftsfunktionen giver brugeren mulighed for at programmere stegeinstruktioner, kendt som opskriftstrin, som kontrolpanelet kan følge og køre automatisk. Disse tilberedningsinstruktioner er en kombination af madlavningstemperatur og tid. Med start fra de første opskriftstrin (01) vil kontrolpanelet gennemgå hvert opskriftstrin for at tilberede måltidet. Når alle opskriftstrinnene er afsluttet, skifter kontrolpanelet automatisk til en lav temperatur på 82 °C / 180 °F, så måltidet forbliver varmt, indtil det er klart til servering. Der er i alt ni opskriftstrin, der kan programmeres.

SÅDAN PROGRAMMER DU ET OPSKRIFTSTRIN

Følg nedenstående trin for at indstille en eller flere af opskriftstrinnene:

1. Tryk på og hold opskriftsknappen nede. Dette får opskriftsknappen til at blinke for at vise, at opskriftsindstillingerne er aktive. Dette vil også aktivere opskriftstrinnene, og bogstavet 'S' vil være tændt for at vise, at det er aktivt.
 - Brug styringsknappen til at vælge opskriftstrinnet. Start med det første opskriftstrin (01).
 - Når det ønskede opskriftstrin er nået, skal du trykke på styringsknappen for at gå til næste indstilling.
 2. Indstil tid (timer). Timerne på tidsudlæsningen blinker, for at vise, at den er valgt.
 - Brug styringsknappen til at vælge de ønskede timer.
 - Når de ønskede timer er nået, skal du trykke på styringsknappen for at gå til næste indstilling.
 3. Indstil tidsminutter. Minutterne på tidsudlæsningen blinker, for at vise, at den er valgt.
 - Brug styringsknappen til at vælge de ønskede minutter.
 - Når de ønskede minutter er nået, skal du trykke på styringsknappen for at gå til næste indstilling.
 4. Indstil temperaturen. Den midterste temperaturudlæsning blinker, for at vise, at den er valgt.
 - Brug styringsknappen til at vælge den ønskede temperatur.
 - Når den ønskede temperatur er nået, skal du holde opskriftsknappen nede for at låse alle opskriftsindstillinger for det pågældende opskriftstrin.
 - For at indstille et andet opskriftstrin skal du hurtigt trykke på opskriftsknappen for at vælge et andet opskriftstrin, hvorved du programmerer en stegning med flere opskriftstrin. Gentag ovenstående trin som ønsket.
- Eller
- Tryk på opskriftsknappen, og hold den nede for at afslutte opskriftsindstillingerne og køre opskriften. Opskriftsknappen holder op med at blinke.

BEMÆRK: Opskriftstrinnene nulstilles, når enheden slukkes.

OPRET FORBINDELSE TIL SMOKE IT®-APPEN

Følg denne vejledning i, hvordan du tilslutter din grill til Smoke iT®-appen med din Android™ eller iOS®-enhed. Appen giver dig mulighed for at styre og overvåge dine grill og stegetermometerets temperaturer fra din mobilenhed. Nyd de fordele, som Smoke IT®-mobilforbindelsen tilbyder!

1. Download Smoke iT®-appen. Åbn appen, og sørg for at aktivere Bluetooth® med henblik på opsætningen. Nye brugere skal oprette en konto og følge vejledningen for at logge ind.
2. Hvis du er inden for Bluetooth®-rækkevidde (9 m), vil Smoke iT®-appen automatisk registrere din grill. Vælg din grillmodel. Hvis du ikke kan se din grill på skærmen, skal du sikre dig, at din enhed er tilsluttet en strømkilde og er tændt.
3. Giv din grillmodel et navn (f.eks. Min rygeovn) i appen, og vælg "Opret forbindelse" nederst på skærmen. På den måde gemmes din grillmodel i enhedsmenuen.
4. Klik på grillmodellen i enhedsmenuen for at oprette forbindelse. Dermed får du vist skærbilledet Kontrolpanel.
5. Klik på indstillingsfunktionen (tandhjul) i øverste højre hjørne, indtast dine Wi-Fi-legitimationsoplysninger, og klik derefter på fluebenet nederst på skærmen for at oprette forbindelse. Nu vises både Bluetooth®-ikonet og Wi-Fi-ikonet (sky) i enhedsmenuen, og dette angiver, at grillen er tilsluttet.

Når du bruger appen, vil skærmen lyse op, når grillen er aktiv og tilsluttet. Hvis appskærmen eller grillen bliver mørke i enhedsmenuen, skal du kontrollere den trådløse forbindelse eller strømkilden.

KLARGØRINGSPROCEDURE FOR MAGASIN

Disse anvisninger skal følges, første gang grillen antændes, og hver gang grillen løber tør for træpiller i magasinet. Sneglen skal klargøres for at lade træpillerne blive ført gennem hele indføringssneglen og fylde indføringssystemet. **Hvis den ikke klargøres, vil timeout for tænderen blive aktiveret, inden træpillerne er antændt, og der vil ingen ild være.** Følg denne fremgangsmåde for at klargøre magasinet:

1. Åbn låget til hovedtønden. Fjern alle tilberedningskomponenter indvendigt i grillen. Find brændkarret i bunden af hovedtønden. Kontroller, at der ingen forhindringer er i brændkarret for at sikre korrekt antænding.
2. Tilslut strømledningen til en strømkilde. Tryk på strømknappen for at tænde enheden. Kontroller følgende:
 - At du kan høre indføringssneglen køre. Placer hånden over brændkarret, og mærk luften bevæge sig. Undgå at placere hånden eller fingrene inde i brændkarret. Du kan komme til skade.
 - Efter omtrent et minut skal du kunne dufte tænderen brænde og begynde at mærke, at luften bliver varmere i brændkarret. Tænderspidsen lyser ikke rødt, men bliver meget varm og vil brænde. Undgå at berøre tænderen.
3. Efter at have kontrolleret, at alle elektriske komponenter fungerer korrekt, skal du trykke og holde tænd/sluk-knappen nede i tre sekunder for at slukke for enheden.
4. Åbn magasinets låg. Kontroller, at der ingen fremmedlegemer er i magasinet eller blokeringer i pilleindføringssneglen i bunden. Fyld magasinet med tørre træpiller af hårdt naturtræ.
5. Tryk på strømknappen for at tænde enheden igen. Grillens opstartscyklus har en forudindstillet temperatur på 176 °C/350 °F, så den begynder at blive varm. Tryk på klargøringsknappen og hold den nede, indtil træpillerne kan ses indvendigt i grillen fra indføringssneglrøret. Når træpillerne begynder at falde ned i brændkarret, skal du slippe klargøringsknappen.
6. Tryk og hold tænd/sluk-knappen nede i tre sekunder for at slukke for enheden.
7. Genmonter tilberedningskomponenterne inde i hovedtønden. Grillen er nu klar til brug.

FØRSTE GANG – AFBRÆNDING AF GRILLEN

Når magasinet er blevet klargjort og inden tilberedning på grillen for første gang, er det vigtigt at fuldføre en afbrænding af grillen. Start grillen, og brug den ved enhver temperatur over 176 °C/350 °F (med låget på) i 30-40 minutter for at afbrænde grillen og fjerne eventuelle fremmedlegemer.

AUTOMATISK OPSTARTSPROCEDURE

1. Tilslut strømledningen til en jordforbundet strømkilde. Åbn låget til hovedtønden. Kontroller, at der ingen forhindringer er i brændkarret for at sikre korrekt antænding. Åbn magasinets låg. Kontroller, at der ingen fremmedlegemer er i magasinet eller blokeringer i pilleindføringssneglen i bunden. Fyld magasinet med tørre træpiller af hårdt naturtræ.
2. Tryk på strømknappen for at tænde enheden. Dette vil aktivere opstartscyklussen. Pilleindføringssneglen begynder at dreje, tænderen begynder at gløde, og blæseren tilfører luft til brændkarret. Grillen begynder at frembringe røg under opstartscyklussen. Tøndelåget skal forblive åbent under opstartscyklussen. For at bekræfte, at opstartscyklussen kører korrekt, skal du kunne høre flammen og lægge mærke til, om der frembringes varme.
3. Når der frigives kraftig, hvid røg, er opstartscyklussen fuldført, og du er klar til at bruge din grill ved den ønskede temperatur!

SLUKNING AF GRILL

1. Når stegningen er færdig, holdes hovedtøndens låg lukket, mens du trykker på og holder strømknappen nede i tre sekunder for at slukke for enheden. Grillen påbegynder herefter den automatiske nedkølingscyklus. Indføringssneglen stopper med at tilføre brændsel, flammen dør ud, og blæseren fortsætter, indtil nedkølingscyklussen er gennemført.

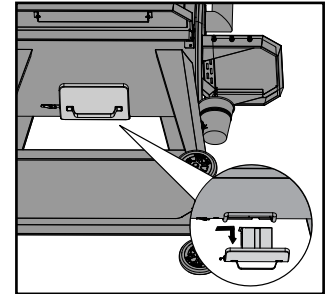
PLEJE OG VEDLIGEHOLDELSE

ADVARSEL: Frakobl altid elledningen, inden grillen åbnes i forbindelse med eftersyn, rengøring, vedligeholdelse eller reparationer. Sørg for, at grillen er helt afkølet for at undgå personskade.

Enhver Pit Boss®-enhed vil give dig mange år med smagfuld tilberedning og behov for et minimum af rengøring. Følg disse tip om rengøring og vedligeholdelse for at passe godt på din grill:

1. FJERNELSE AF ASKE

- I bunden af grilltønden er der en askeoprydningsfunktion, der giver dig let adgang til indersiden af brændkammeret, så du nemt kan rengøre det så ofte som nødvendigt. For at tømme det frigøres spændelåsen på askeboksens krog. Mens du holder i håndtaget, skal du skubbe askeboksen væk fra spændet og derefter trække den ned for at fjerne den. Når den er tømt, skal du sætte askeboksen tilbage ved at løfte den og sætte den tilbage i bunden af grilltønden, skubbe askeboksen mod spændet og derefter fastgøre askeboksens krog med spændelåsen.



ADVARSEL: Denne funktion kan kun betjenes, når grillen er kølet ned.

2. MAGASINENHED

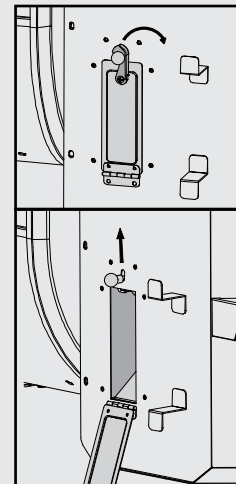
- Det anbefales, at alle træpiller føres ud af indføringsneglen, hvis grillen har været taget ud af brug i længere tid. Det kan gøres ved blot at bruge grillen med et tomt magasin, indtil alle træpiller er tømt ud af indføringsneglørret.
- Kontroller og fjern al snavs fra blæserens luftindtag, som findes i bunden af magasinet. Så snart adgangspanelet til magasinet er fjernet (se **Strømskema** for at få vist et diagram), skal du tørre alle fedtaflejringer på blæserbladene af. Dette sikrer tilstrækkelig luftgennemstrømning til fødersystemet.

UDRENSNINGSFUNKTION TIL MAGASIN

Magasinet indeholder en rengøringsfunktion, der giver mulighed for nem rengøring og evnen til at skifte brændstofsmaag for træpiller. Følg disse trin for at tømme:

1. Find udrensningsdøren og dørkrogen på bagsiden af magasinet.
2. Drej dørkrogen (øverst) til højre, så den løsnes fra frigørelseslåsestangen. Placer en ren, tom spand under udrensningsdøren, og tillad døren at sænke. Løft frigørelseslåsestangen for at åbne pladen på udkasterrøret, så træpiller fra beholderen fjernes.
3. Når den er tom, skal du skubbe pladen på udkasterrøret tilbage på plads igen med hånden. Den låses på plads. Luk udrensningsdøren, og drej dørkrogen tilbage på frigørelseslåsestangen for at fastgøre.

BEMÆRK: Brug en børste med langt håndtag eller en værkstedsstøvsuger til at fjerne overskydende træpiller, savsmuld og snavs for at sikre en fuldstændig rengøring af magasinet.



3. TERMOMETRE

- Knæk og folder på termometerledningerne kan forårsage skader. Et stegetermometer, som ikke er i brug, skal vindes løst op i en stor rulle.
- Selvom både grillmåleren og stegetermometrene er af rustfrit stål, må de ikke vaskes i en opvaskemaskine eller nedsænkes i vand. Vandskaber på de indvendige ledninger vil få en temperaturmåler til at kortslutte og give forkerte målinger. Hvis en temperaturmåler bliver beskadiget, skal den udskiftes.

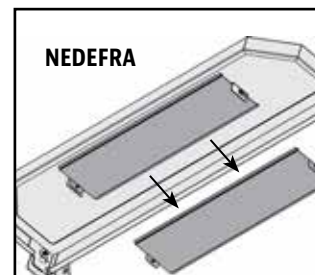
4. INDERFLADER

- Det anbefales at rengøre brændkarret efter nogle få gange i brug. Dette sikrer korrekt antænding og forebygger hårde belægninger af snavs eller aske inde i brændkarret.
- Brug en grillbørste med langt håndtag til at fjerne alle madrester eller belægninger fra stegeristene. Bedste praksis er at gøre dette, mens de stadig er varme efter seneste tilberedning. Hvis der findes for meget snavs på grillens tilberedningskomponenter, kan fedtet antænde. Rengør indersiden af grillen regelmæssigt. Hvis du oplever, at fedtstoffet på grillen begynder at brænde, skal du lade låget være på for at kvæle branden. Hvis branden ikke hurtigt går ud, skal du slukke grillen, fjerne maden og lægge låget på, indtil branden er gået helt ud. Drys en smule bagepulver på, hvis du har noget.
- Kontroller fedtspanden ofte, og rens den efter behov. Tag altid højde for, hvilken type tilberedning du vil i gang med.

VIGTIGT: På grund af høj varme må du ikke tildække gasgrillen eller termometrene med alufolie.

5. YDERFLADER

- Den forreste hylde har et aftageligt panel nedenunder, der sikrer nem rengøring. Skub bagsidepladen nedefra mod hovedtønden for at fjerne den. Rens, og sæt skub derefter på plads igen.
- Tør grillen af, hver gang du har brugt den. Brug varmt sæbevand til at fjerne fedtstoffet. Undgå at bruge ovnrens, ridsende rengøringsmidler eller rensesvampe på ydersiden af grillen. **Alle malede overflader er ikke omfattet af garantien, men indgår i den almindelige rengøring og vedligeholdelse.** I tilfælde af ridser, slitage eller afskalning af overfladen kan alle malede flader renoveres med en varmeresistent grillmaling.
- Brug et grillovertræk til at beskytte grillen bedst muligt! Et overtræk er den bedste beskyttelse mod vejret og forurening udefra. Når enheden ikke er i brug eller stilles væk gennem længere tid, skal du tildække den og placere den i en garage eller et skur.



TIDSPLAN FOR RENGØRING (NORMAL BRUG)

ELEMENT	RENGØRINGS HYPPIGHED	RENGØRINGSMETODE
Bunden af hovedtønde	Efter hver 5.-6. gang	Fjern overskydende snavs med en kost eller en værkstedsstøvsuger
Brændkar	Efter hver 2.-3. gang	Fjern overskydende snavs med en kost eller en værkstedsstøvsuger
Stegeriste	Efter hver gang	Afbrænd snavs, børst af med messingtrådbørste
Gasgrill	Efter hver 5.-6. gang	Skrab hovedplade med skyderplade, undgå vask for at rengøre
Hylde	Efter hver gang	Skrubbesvamp og sæbevand
Fedtspand	Efter hver gang	Skrubbesvamp og sæbevand
Pilleindføringssnegl	Når træpilleposen er tom	Lad indføringssneglen skubbe savsmuld ud, så magasinet er tomt
Magasinet elektriske komponenter	En gang om året	Støv af indvendigt, tør blæserblade af med sæbevand
Ventilationsluftindtag	Efter hver 5.-6. gang	Støv af, brug skrubbesvamp og sæbevand
Grillmåler	Efter hver 2.-3. gang	Skrubbesvamp og sæbevand

TIP OG TEKNIKKER

Følg disse nyttige tip og teknikker, som vi har indsamlet fra Pit Boss®-ejere, vores medarbejdere og kunder ligesom dig, for at lære din grill bedre at kende:

1. FØDEVARESIKKERHED

- Hold alt i køkkenet og tilberedningsområdet rent. Brug forskellige fade og redskaber til det tilberedte kød end dem, du har brugt til at forberede eller transportere det rå kød ud til grillen. Dette forebygger krydskontaminering med bakterier. Du skal bruge forskellige redskaber til de enkelte marinader eller grillsauce.
- Hold varm mad varm (over 60 °C/140 °F), og hold kold mad kold (under 3 °C/37 °F).
- En marinade må aldrig gemmes til senere brug. Hvis du vil servere den sammen med kødet, skal du sørge for at koge den igennem inden servering.
- Tilberedt mad må ikke efterlades over varmen i mere end en time. Stil tilberedt varm mad i køleskabet senest efter to timer.
- Optø og marinér kød, mens det står i køleskabet. Undgå at optø kød ved stuetemperatur eller på køkkenbordet. Bakterier vokser hurtigt i varme eller fugtige fødevarer. Vask hænderne grundigt med varmt sæbevand, før du påbegynder forberedelsen af ethvert måltid og efter håndtering af fersk kød, fisk og fjerkræ.

2. KLARGØRING VED MADLAVNING

- Klargør madlavningen eller **Mise en Place**. Dette henviser til klargøring ud fra en opskrift, herunder brændsel, tilbehør, redskaber og alle nødvendige ingredienser ved siden af grillen, inden du påbegynder tilberedningen. Læs også hele opskriften, inden du tænder grillen.
- En grillgulvmåtte er meget nyttig. I forhold til uheld og sprøjt fra madlavningen kan en grillgulvmåtte beskytte et dæk, en terrasse eller stenbelægning mod mulige fedtpletter eller uønskede spild.

3. TIP OG TEKNIKKER TIL GRILLNING

- For at give kødet mere røgsmag skal du tilberede det over længere tid og ved lavere temperaturer (også kendt som **langtidstegning**). Kødets fibre lukkes, efter det har nået en indvendig temperatur på 49 °C/120 °F. Sprøjtning eller smøring er gode metoder til at undgå, at kødet tørrer ud.
- Når du bruner kødet, skal låget være lukket. Brug altid et stegetermometer til at fastlægge den indvendige temperatur i den mad, du tilbereder. Rygning af fødevarer med hårde træpiller får kød og fjerkræ til at blive lyserødt. Det lyserøde bånd (efter stegning) kan betragtes som en del af en god **stegeskorpe**, hvilket udendørskokke sætter stor pris på.
- Sukkerbaserede saucer påføres bedst i slutningen af tilberedningen for at undgå, at kødet bliver brændt eller flammer op.
- Sørg for, at der er plads mellem fødevarerne og tøndens ydersider, så luftgennemstrømningen bevares. Fødevarer på en overfyldt grillrist kræver mere tilberedningstid.
- Brug en grilltang med langt håndtag til at vende kødet og en spartel til at vende burgerbøffer og fisk. Brug et spidst redskab som f.eks. en gaffel til at prikke kødet, så saften kan slippe ud.
- En sammenkogt ret i en kasserolle vil kræve mere tilberedningstid end en lav bradepande.
- Det er en god ide at placere tilberedt mad på et opvarmet fad, så maden holder sig varm. Rødt kød som f.eks. bøffer og stege har godt af at hvile i flere minutter, før de serveres. På den måde trækker varmen saften ud til overfladen af kødet og tilbage igen til midten af kødet, hvilket øger smagen.

FEJLFINDING

Korrekt rengøring, vedligeholdelse og brug af rent og tørt brændsel af god kvalitet forhindrer generelle problemer med brugen af enheden. Når din Pit Boss®-grill fungerer dårligt, eller kun anvendes ved sjældne lejligheder, kan følgende tip til fejlfinding være nyttige. Se Ofte stillede spørgsmål på www.pitboss-grills.com. Du kan også kontakte din lokale autoriserede Pit Boss®-forhandler eller kontakte kundeservice for at få hjælp.

ADVARSEL: Afbryd altid el-ledningen, inden grillen åbnes i forbindelse med eftersyn, rengøring, vedligeholdelse eller reparationer. Sørg for, at grillen er helt afkølet for at undgå personskade.

PROBLEM	ÅRSAG	LØSNING
Ingen strømindikator på kontrolpanelet	Ikke tilsluttet en strømkilde	Kontroller, at enheden er tilsluttet en fungerende strømkilde. Nulstil afbryderen. Kontroller, at HFI-relæet som minimum kører ved 10 A (se Strømskema angående adgang til elektriske komponenter). Kontroller, at alle ledninger er tilsluttet korrekt og er tørre.
	Sikring er gået på kontrolpanelet	Fjern adgangspanelet til magasinet (se ledningsføringen under Strømskema). Tryk på de plastiktapper, som holder kontrolpanelet på plads, og træk forsigtigt i kontrolenheden inde i magasinet for at frigøre den. Kontroller altid sikringen for en ødelagt ledning, eller hvis ledningen er blevet sort. Hvis sikringen er gået, skal den udskiftes manuelt.
	Fejl på kontrolpanelet	Kontrolpanelet skal udskiftes. Kontakt kundeservice for at bestille en reservedel.
Ilden i brændkarret vil ikke tænde	Indføringssnegl er ikke klargjort	Inden enheden bruges første gang, eller når magasinet er blevet helt tomt, skal indføringssneglen klargøres, for at træpillerne kan fylde indføringssneglrøret. Hvis den ikke klargøres, vil timeout for tænderen blive aktiveret, inden træpillerne når frem til brændkarret. Følg Klargøringsprocedure for magasin .
	Indføringssneglens motor er gået i stå	Fjern tilberedelseskomponenterne fra hovedtønden. Tryk på tænd/sluk-knappen for at tænde for enheden, og inspicer tilførsessystemet med indføringssnegl. Kontroller visuelt, at indføringssneglen smider træpiller ind i brændkarret. Hvis den ikke fungerer korrekt, skal du ringe til kundeservice for at få hjælp eller en reservedel.
	Fejl i tænder	Fjern tilberedelseskomponenterne fra hovedtønden. Tryk på tænd/sluk-knappen for at tænde for enheden, og inspicer tænderen. Kontrollér visuelt, at tænderen fungerer, ved at placere hånden over brændkarret og mærke efter varme. Kontrollér visuelt, at tænderen stikker ca. 13 mm/0,5 tommer ind i brændkarret. Hvis den ikke fungerer korrekt, skal du ringe til kundeservice for at få hjælp eller en reservedel.
Aflæsning af den faktiske temperatur justeres ikke	Grillmåler beskidt	Følg anvisningerne under Pleje og vedligeholdelse.
	Grillmåler i stykker	Grillmåler skal udskiftes. Kontakt kundeservice.
Grillen opnår eller holder ikke en stabil temperatur	Utilstrækkelig luftgennemstrømning i brændkarret	Kontrollér brændkarret for askeaflejring eller tilstopning. Følg anvisningerne under Pleje og vedligeholdelse for at fjerne askeaflejring. Kontrollér blæseren. Kontrollér, at den fungerer korrekt, og at luftindtaget ikke er blokeret. Følg anvisningerne under Pleje og vedligeholdelse , hvis den er snavset. Kontrollér indføringssneglens motor for at sikre korrekt drift, og kontrollér, at der ingen blokeringer er i indføringssneglrøret. Når alle tiltag ovenfor er udført, skal du starte grillen, indstille temperaturen til SMOKE og vente i 10 minutter. Kontrollér, at den frembragte flamme er klar og levende.
	Manglende brændsel, brændsel af dårlig kvalitet, forhindringer i fødersystemet	Kontroller, at brændselsniveauet i magasinet er tilstrækkeligt, og fyld op, hvis det er lavt. Hvis kvaliteten af træpillerne er lav, eller træpillerne er for lange i formen, kan det forårsage tilstopning af fødersystemet. Fjern træpillerne, og følg anvisningerne under Pleje og vedligeholdelse .
	Grillmåler	Kontroller status for grillmåleren. Følg anvisningerne under Pleje og vedligeholdelse , hvis den er snavset. Kontakt kundeservice for at bestille en reservedel, hvis den er beskadiget.

Grillen producerer meget eller misfarvet røg	Fedtaflejringer	Følg anvisningerne under Pleje og vedligeholdelse .
	Kvalitet af træpiller	Fjern fugtige træpiller fra magasinet. Følg anvisningerne under Pleje og vedligeholdelse for at rense magasinet. Påfyld tørre træpiller.
	Brændkarret er blokeret	Fjern fugtige træpiller fra brændkarret. Følg Klargøringsprocedure for magasin .
	Utilstrækkeligt luftindtag i blæser	Kontroller blæseren. Kontroller, at den fungerer korrekt, og at luftindtaget ikke er blokeret. Følg anvisningerne under Pleje og vedligeholdelse , hvis den er snavset.
Hyppig oplussen	Stegetemperatur	Forsøg at tilberede maden ved en lavere temperatur. Fedt har et flammepunkt. Hold temperaturen under 176 °C/350 °F, når du tilbereder mad med et højt fedtindhold.
	Fedtaflejringer på tilberedelseskomponenter	Følg anvisningerne under Pleje og vedligeholdelse .
Fejlkode "ErP"	Enheden blev ikke slukket korrekt, da strømmen senest var tilsluttet	Sikkerhedsfunktionen forhindrer en automatisk genstart. Tryk og hold tænd/sluk-knappen nede i tre sekunder for at slukke enheden, vent i to minutter, og tryk derefter på tænd/sluk-knappen for at tænde enheden igen. Drej til den ønskede temperatur. Hvis fejlkoden stadig vises, skal du kontakte kundeservice.
	Strømafbrydelse, mens enheden var i brug	
Fejlkode "ErH"	Enheden er overopvarmet, muligvis på grund af antænding af fedt eller overskydende brændsel	Tryk og hold tænd/sluk-knappen nede i tre sekunder for at slukke for enheden og lade grillen køle af. Følg instruktionerne under Pleje og vedligeholdelse. Efter vedligeholdelsesarbejde fjernes træpillerne og kontrolleres, at alle komponenter er placeret korrekt. Når enheden er kølet af, skal du trykke på tænd/sluk-knappen for at tænde for enheden. Vælg derefter den ønskede temperatur. Hvis fejlkoden stadig vises, skal du kontakte kundeservice.
Fejlkode "ErL"	Grill kan ikke udføre opstartscyklus	Kontroller korrekt placering af stegningskomponenter. Kontroller magasinet for tilstrækkeligt brændsel, eller om der er en forhindring i fødersystemet. Fjern træpillerne, og følg anvisningerne under Pleje og vedligeholdelse . Kontroller grillmåler. Bekræft, om den faktiske temperatur er korrekt og nøjagtig. Følg anvisningerne under Pleje og vedligeholdelse , hvis den er snavset. Kontroller tænderplacering, og at den opvarmer korrekt. Ved ekstrem kulde kræver grillen muligvis endnu en opstart. Sluk grillen, vent, og tænd derefter igen. Kontroller blæseren. Sørg for, at den fungerer korrekt. Følg anvisningerne under Pleje og vedligeholdelse , hvis den er snavset.
	Grillen forbliver ikke tændt	
Fejlkode "PELLET" blinker	Manglende brændsel, brændsel af dårlig kvalitet, forhindringer i tilførselssystemet, indføringssnegl gået i stå	Kontroller, at brændselsniveauet i magasinet er tilstrækkeligt, og fyld op, hvis det er lavt. Hvis kvaliteten af træpillerne er lav, eller træpillerne er for lange i formen, kan det forårsage tilstopning af fødersystemet. Fjern træpillerne, og følg anvisningerne under Pleje og vedligeholdelse .
Fejlkode "IGNITOR" blinker	Tænderen fungerer ikke korrekt og opretter ikke forbindelse	Fjern tilberedelseskomponenterne fra hovedtønden. Tryk på tænd/sluk-knappen for at tænde for enheden, og inspicer tænderen. Kontroller visuelt, at tænderen fungerer, ved at placere hånden over brændkarret og brænderisten efter varme. Bekræft visuelt, at tænderen er justeret i forhold til hullet i brænderisten, og åbn for at tænde træpiller. Hvis den ikke fungerer korrekt, skal du ringe til kundeservice for at få hjælp eller en reservedel.
	Fejl i tænder	Tænder skal udskiftes. Kontakt kundeservice for at bestille en reservedel.
Fejlkode "AUGER" blinker	Indføringssnegl er ikke klargjort	Inden enheden bruges første gang, eller når magasinet er blevet helt tømt, skal indføringssneglen klargøres, for at pillerne kan fyldes i brændkarret. Hvis den ikke klargøres, vil tænderen få timeout, inden træpillerne antændes. Følg Klargøringsprocedure for magasin .
	Motor til indføringssnegl er gået i stå, opretter ikke forbindelse	Fjern tilberedelseskomponenterne fra hovedtønden. Tryk på tænd/sluk-knappen for at tænde for enheden, og inspicer tilførselssystemet med indføringssnegl. Kontroller visuelt, at indføringssneglen smider træpiller ind i brændkarret. Hvis den ikke fungerer korrekt, skal du ringe til kundeservice for at få hjælp eller en reservedel.
Fejlkode "FAN" blinker	Blæseren fungerer ikke korrekt og opretter ikke forbindelse	Kontroller blæseren. Kontroller, at den fungerer korrekt, og at luftindtaget ikke er blokeret. Fjern adgangspanelet til magasinet (se Strømskema for at få vist et diagram), og kontroller, om temperaturmålerledningerne er beskadigede. Følg anvisningerne under Pleje og vedligeholdelse , hvis blæserbladene er snavsede.

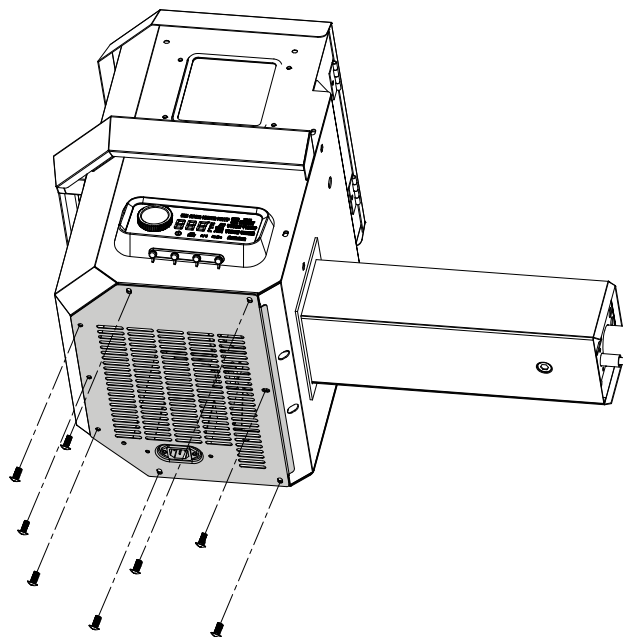
STRØMSKEMA

Det digitale kontrolpanel er et avanceret og værdifuldt stykke teknologi. Angående beskyttelse mod overspænding og kortslutning skal du se strømskemaet nedenfor for at sikre, at strømkilden er tilstrækkelig til at drive enheden.

PB – STRØMKRAV
220-240 V, 50 Hz, 275 W, 3-BENET, JORDFORBUNDET STIK

BEMÆRK: Elektriske komponenter, der har bestået produktsikkerhedstests og certificeringsprocedurer, opfylder en testtolerance på ± 5-10 %.

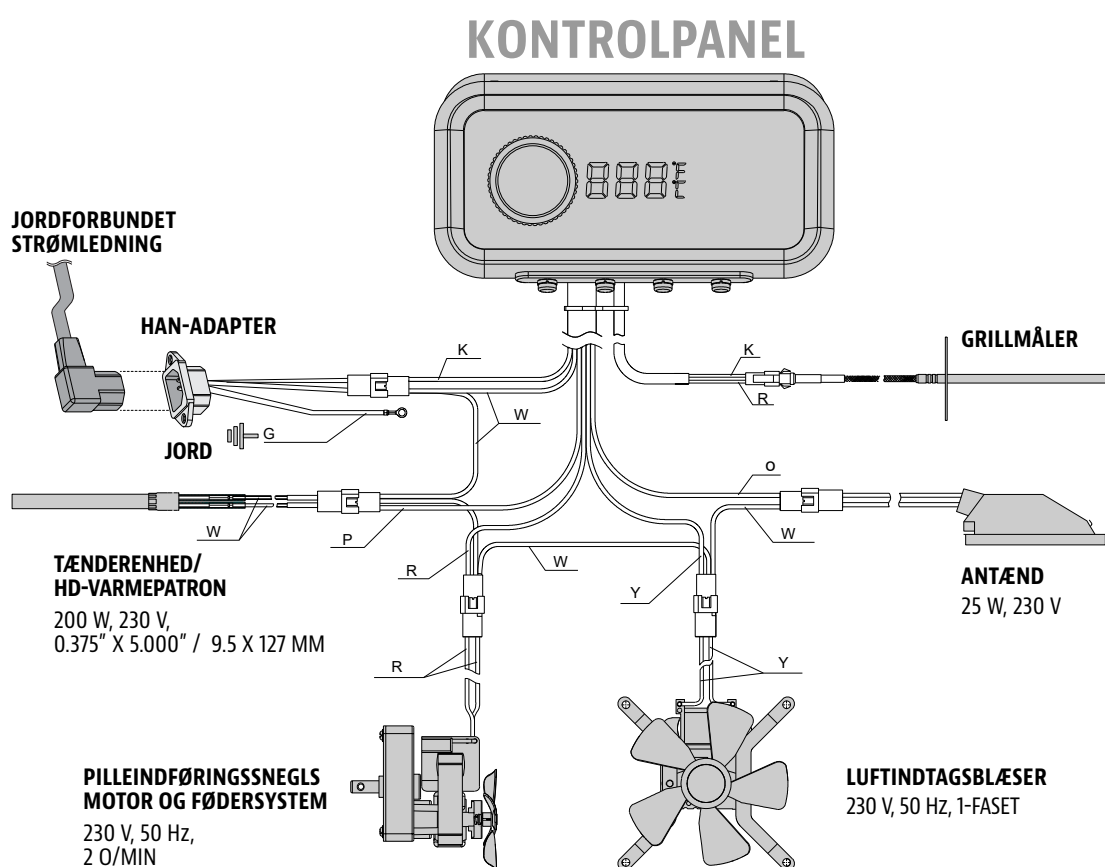
FIND OG FJERN DE OTTE SKRUE PÅ ADGANGSPANELET PÅ UNDERSIDEN AF ENHEDEN



HASTIGHED FOR BRÆNDEL-SINDTAG: 2,0 KG/T (4,4 LB/T)

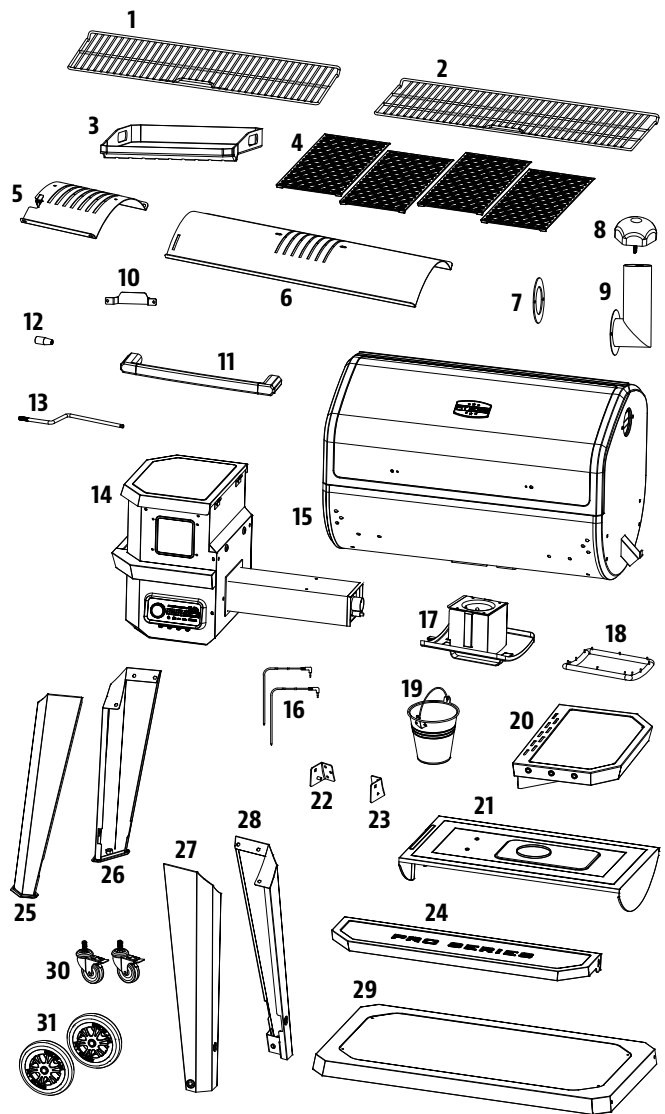
INDEKS

K : SORT
W : HVID
R : RØD
Y : GUL
P : LILLA
O : ORANGE
G : GRØN



RESERVEDELE TIL GRILLEN

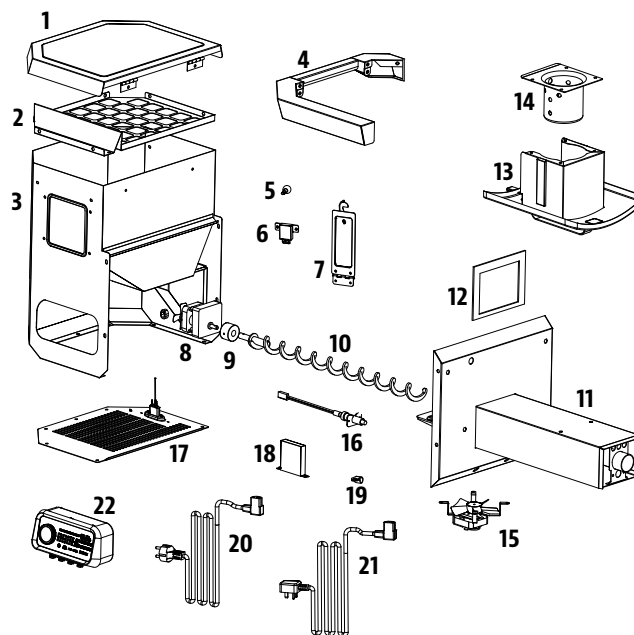
Delnr.	Beskrivelse
1	Øverste stegestativ (x1)
2	Mellemste stegestativ (x1)
3	Grillplade (x1)
4	Stegeriste (x4)
5	Skyderplade til gasgrill (x1)
6	Hovedplade i gasgrill (x1)
7	Skorstenspakring (x1)
8	Skorstenskappe (x1)
9	Skorstensskakt (x1)
10	Stativbøjle (x1)
11	Låghåndtag (x1)
12	Håndtag til justeringsstang til gasgrill (x1)
13	Justeringsstang til gasgrill (x1)
14	Magasinenhed (x1)
15	Hovedtønde (x1)
16	Stegetermometer (x2)
17	Askeboks (x1)
18	Askebokspakning (x1)
19	Fedtspand (x1)
20	Sidehylde (x1)
21	Beskyttelsesplade (x1)
22	Beslag til forreste hylde/venstre (x1)
23	Beslag til forreste hylde/højre (x1)
24	Forreste hylde (x1)
25	Venstre støtteben/ forrest (x1)
26	Venstre støtteben/bagest (x1)
27	Højre støtteben/forrest (x1)
28	Højre støtteben/bagest (x1)
29	Underhylde (x1)
30	Møbelhjul med lås (x2)
31	Hjul (x2)
A	Skrue (x28)
B	Spændeskive (x24)
C	Fjederskive (x22)
D	Værktøjskrog (x3)
E	Hjulsplīt (x2)
F	Hjulspændeskive (x2)
G	Hjulakselstift (x2)
H	Skrue (x2)
I	Møtrik (x2)
J	Bøsning (x2)



BEMÆRK: På grund af løbende produktudvikling kan dele være ændret uden varsel.

RESERVEDELE TIL MAGASINET

Delnr.	Beskrivelse
1	Magasinlåg (x1)
2	Sikkerhedsskærm til magasin (x1)
3	Magasinkasse (x1)
4	Magasinhåndtag (x1)
5	Låsehåndtag på udkasterrør (x1)
6	Udkasterrør (x1)
7	Udkasterdør (x1)
8	Indføringsnegls motor (x1)
9	Nylonbøsning (x1)
10	Fremføringsenhed for indføringsnegl (x1)
11	Indføringsneglkasse (x1)
12	Magasinkassepakring (x1)
13	Askeboks (x1)
14	Brændkar (x1)
15	Luftindtagsblæser (x1)
16	Tænder (x1)
17	Adgangspanel til magasin (x1)
18	Vandtæt afdækning til strømkabel (x1)
19	Strømkabelklemme (x1)
20	Strømkabel - F-stik (x1)
21	Strømkabel - G-stik (x1)
22	Kontrolpanel (x1)



DK

DANSK

GARANTI

BETINGELSER

Alle træpillegrillenheder fra Pit Boss®, som er fremstillet af Dansons, er omfattet af en begrænset garanti fra salgsdatoen for den oprindelige ejer. Garantidækningen gælder fra den oprindelige købsdato. Der kræves dokumentation for købsdatoen eller en kopi af den oprindelige købskvittering, for at garantien kan håndhæves. Kunden vil blive pålagt eventuelle udgifter til reservedele, fragt og håndtering, hvis der ikke kan fremvises købsdokumentation, og efter udløb af garantien. Dansons giver fem (5) års garanti mod defekter og fejl i forarbejdningen på alle dele, og fem (5) års garanti på de elektriske komponenter. Dansons garanterer, at alle dele er fri for defekter i materiale og forarbejdning, så længe den oprindelige køber bruger og ejer enheden. Garantien dækker ikke skader som følge af almindelig slitage som f.eks. ridser, buler, hak, skår eller mindre kosmetiske revner. Disse æstetiske forandringer af grillen påvirker ikke dens ydeevne. Dækning af reparation eller udskiftning af enhver del løber ikke ud over den begrænsede garantiperiode på fem (5) år fra købsdatoen.

I garantiperioden er Dansons' ansvar begrænset til at sikre en udskiftning af defekte og/eller ikke-fungerende komponenter. I garantiperioden vil Dansons ikke kræve betaling for reparation eller udskiftning af dele, der returneres. Fragten er forudbetalt, hvis Dansons finder, at delen(e) ved nærmere undersøgelse viser sig faktisk at være defekt(e). Dansons kan ikke påtage sig betalingen af gebyrer for transport, omkostninger til arbejdskraft eller eksportforpligtelser. Sådan som det er angivet ovenfor, udgør ovennævnte betingelser for garanti, reparation eller udskiftning af dele på den måde og i den periode, der er nævnt ovenfor, Dansons opfyldelse af alle direkte og afledte ansvar og forpligtelser over for dig.

Dansons tager alle forholdsregler for at benytte materialer, der modvirker rustdannelse. Selv med disse foranstaltninger kan overfladebehandlinger blive ødelagt af forskellige stoffer og forhold uden for Dansons kontrol. Høje temperaturer, overdreven luftfugtighed, klor, industrielle dampe, gødning, sprøjtemidler til græsplæner og salt er nogle af de stoffer, som kan påvirke metallets overfladebehandlinger. Af denne grund dækker garantien ikke rust eller oxidering, medmindre dette skyldes konstruktionsfejl i grillens komponenter. Hvis et af ovennævnte tilfælde opstår, skal du se afsnittet om pleje og vedligeholdelse for at forlænge enhedens levetid. Dansons anbefaler at anvende grillovertrækket, når grillen ikke er i brug. Denne garanti er baseret på normal brug og service af grillen, og en begrænset garantidækning gælder ikke for en grill, der bruges i kommercielle omstændigheder.

UNDTAGELSER

Der findes ingen skriftlig eller indforstået garanti for Pit Boss®-grillenheders ydeevne, da producenten ingen kontrol har med installationen, betjeningen, rengøringen, vedligeholdelsen og den anvendte type brændsel. Denne garanti gælder ikke og Dansons påtager sig intet ansvar, hvis enheden ikke bliver installeret, betjent, rengjort og vedligeholdt i direkte overensstemmelse med denne brugervejledning. Enhver brug af gas, som ikke er anvist i denne vejledning, kan ophæve garantien. Garantien dækker ikke skader eller fejlfunktion som følge af misbrug, forkert håndtering eller ændringer af enheden. Hverken Dansons eller den autoriserede Pit Boss®-forhandler påtager sig noget ansvar, juridisk baseret eller på anden vis, for hændelige skader eller følgeskader på ejendom eller person som følge af brugen af dette produkt. Hvis der rejses et erstatningskrav mod Dansons, som er baseret på brud på denne garanti eller nogen anden form for udtrykkelig eller indforstået garanti ifølge lovgivningen, vil producenten under ingen omstændigheder være ansvarlig for nogen særlige, indirekte skader, følgeskader eller nogen anden form for skader, der rækker ud over det oprindelige køb af dette produkt. Alle garantier fra producenten er anført her, og der kan ikke rejses krav mod producenten baseret på nogen anden garanti eller erklæring. Nogle lande eller stater tillader ikke udelukkelse eller begrænsning af ansvaret for hændelige skader eller følgeskader, eller begrænsning af indforståede garantier, så de begrænsninger eller udelukkelse, der er anført i denne begrænsede garanti, gælder muligvis ikke for dig. Denne begrænsede garanti giver dig specifikke juridiske rettigheder, og du kan have andre rettigheder, som varierer fra land til land.

BESTILLING AF RESERVEDELE

Hvis du vil bestille reservedele, skal du kontakte din lokale Pit Boss®-forhandler eller besøge vores onlinebutik på: www.pitboss-grills.com

KONTAKT KUNDESERVICE

Hvis du har spørgsmål eller problemer, kan du kontakte kundeservice: www.pitboss-grills.com

SERVICE UNDER GARANTIEN

Kontakt din nærmeste Pit Boss®-forhandler angående reparationer eller reservedele. Dansons kræver fremvisning af købsdokumentation for at udføre service under garantien. Derfor skal du gemme din oprindelige salgskvittering eller faktura til eventuel senere brug. Serie- og modelnummeret på din Pit Boss®-grill findes på indersiden af magasinets låg. Registrer numrene nedenfor, da mærkaten kan blive slidt eller ulæselig.

MODEL

SERIENUMMER

KØBSDATO

AUTORISERET FORHANDLER

DK

DANSK

YLEISIMPIÄ LAITETULIPALOJEN AIHEUTTAJIA OVAT PUUTTEELLINEN YLLÄPITO SEKÄ LIIAN PIENET SUOJAETÄISYYDET PALAVIIN MATERIAALEIHIN. ON OLENNAISEN TÄRKEÄÄ, ETTÄ TÄTÄ TUOTETTA KÄYTETÄÄN VAIN SEURAAVIEN OHJEIDEN MUKAISESTI.

Lue ja sisäistä tämä koko ohjekirja ennen kuin yrität koota, käyttää tai asentaa tätä tuotetta. Näin varmistat, että uuden puupellettigrillisi käyttö on mahdollisimman miellyttävää ja ongelmaton. Suosittelemme myös, että säilytät tämän ohjekirjan myöhempää tarvetta varten.

VAARAT JA VAROITUKSET

Sinun on otettava yhteyttä omaan asunto-osakeyhtiösi, rakennus- tai paloviranomaisiin tai muuhun soveltuvaan viranomaiseen tarpeellisten lupien hankkimista varten sekä saadaksesi tietoa asennusta koskevista rajoituksista, kuten grillin asennus palavalle alustalle, tarkastusvaatimukset tai jopa mahdollisuus käyttää tuotetta alueellasi.

1. Grillin sivuilla on aina oltava vähintään 914 mm (36 tuumaa) etäisyys palaviin rakenteisiin ja vähintään 914 mm (36 tuumaa) grillin takana. **Älä asenna laitetta palavalle lattialle tai lattialle, joka on suojattu palavilla pinnoilla, ellei asianmukaisia lupia ole saatu toimivaltaisilta viranomaisilta.** Älä käytä tätä laitetta sisätiloissa tai suljetussa, tuulettamattomassa tilassa, kuten kodeissa, kulkuneuvoissa, teltoissa tai autotalleissa. Tätä puupellettilaitetta ei saa asettaa yläpuolella olevan palavan katon tai ulokkeen alle. Säilytä grillisi alueella, jolla ei ole palavia materiaaleja, bensiiniä tai muita syttyviä höyryjä tai nesteitä.

Rasvapolon sattuessa käännä grillin säädin OFF-asentoon ja pidä kansi suljettuna, kunnes palo on sammunut. Irrota virtajohto. Älä heitä vettä laitteen päälle. Älä yritä tukahduttaa tulta. Kaikkiin luokkiin (luokat ABC) hyväksytyt palosammutin on hyvä olla paikan päällä saatavilla. Hallitsemattoman palon tilanteessa soita palokunnalle.

2. Pidä sähköjohdot ja polttoaine etäällä kuumista pinnoista. Älä käytä grilliä sateessa tai vesilähteen lähellä. Jos virtajohto on vaurioitunut, se on vaihdettava uuteen. Anna vaihtotyö valmistajan, huoltoliikkeen tai muun asiantuntijan tehtäväksi vaaratilanteiden välttämiseksi.
3. Kun laite on ollut varastoituna tai käyttämättömänä, tarkista, että paloastiassa ei ole tukkeumia eikä pellettisäiliössä vierasesineitä ja ettei ilman kulku tuulettimeen tai savupiippuun ole estynyt. Puhdista ennen käyttöä. Säännöllisillä huolto- ja ylläpitotoimilla yksikön käyttöikä pitenee. **Jos grilliä säilytetään ulkona sateisen kauden aikana tai erittäin kosteissa olosuhteissa, on huolehdittava siitä, ettei pellettisäiliöön pääse vettä.** Kastuessaan tai altistuessaan erittäin kosteille olosuhteille puupelletit laajenevat merkittävästi, lahoavat ja saattavat tukkia syöttöjärjestelmän. Irrota aina laite virtalähteestä ennen huolto- tai ylläpitotoimenpiteiden suorittamista.

Älä siirrä grilliä sen ollessa käytössä tai kuuma. Varmista, että tuli on täysin sammunut ja grilli on koskettaessa viileä ennen sen siirtämistä.

4. Suosittelemme lämmönkestävien grillikintaiden tai pannulappujen käyttöä grilliä käytettäessä. Älä käytä lisävarusteita, joita ei ole määritelty tämän laitteen kanssa käytettäväksi. Älä aseta grillisuojausta tai mitään palavaa grillin alle sen ollessa varastoituna.

5. Jotta sormet, vaatteet tai muut esineet eivät joudu kosketuksiin kairasyöttöjärjestelmän kanssa, laitteessa on metallinen turvaverkko, joka on kiinnitetty pellettisäiliön sisäosaan. Tätä suojusta ei saa poistaa, ellei asiakaspalvelu tai valtuutettu jälleenmyyjä ohjeista tekemään niin.

Vähintään 8-vuotiaat lapset ja muut henkilöt, joilla on heikentyneet fyysiset, sensoriset tai henkiset voimavarat tai joilta puuttuu tarvittava kokemus tai tieto, voivat käyttää laitetta valvottuna tai jos heitä on opastettu käyttämään laitetta turvallisesti ja he ymmärtävät siihen liittyvät vaarat. Älä anna lasten leikkiä laitteella. Lapset eivät saa puhdistaa ja huoltaa laitetta ilman valvontaa.

6. Grillin osat saattavat olla erittäin kuumia, mistä voi aiheutua vakavia vammoja. Pidä pienet lapset ja lemmikit loitolla grillin käytön aikana.
7. Älä suurena sytyttimen reikiä tai paloastioita. Tämän varoituksen noudattamatta jättäminen voi johtaa palovaaraan ja ruumiinvammojen syntymiseen, ja mitätöi takuun.
8. Tuotteessa saattaa olla teräviä reunoja tai ulokkeita. Kosketus näihin voi johtaa vammoihin. Käsittele niitä varoen.

TUHKAN HÄVITTÄMINEN

Tuhkat tulee asettaa metalliastiaan, jossa on tiivis kansi. Suljettu tuhka-astia tulee asettaa palamattomalle lattialle tai maahan turvallisen etäisyyden päähän palavista materiaaleista odottamaan lopullista hävittämistä. Jos tuhkat hävitetään hautaamalla ne maahan tai jos ne levitetään muutoin paikallisesti, ne tulee säilyttää suljetussa astiassa, kunnes kaikki kekäleet ovat täysin jäähtyneet.

PUUPELLETTIPOLTTOAINE

Tämä pelleteillä toimiva ruuanvalmistuslaite on suunniteltu ja hyväksytty käytettäväksi vain pellettipohjaisella, luonnollisella puupolttaineella. Minkä tahansa muun tyyppisen polttoaineen käyttö tässä laitteessa mitätöi takuun ja turvallisuuslistauksen. Laitteessa saa käyttää vain luonnollisia puupellettejä, jotka on suunniteltu poltettaviksi grilleissä. Älä käytä polttoaineen yhteydessä lisäaineita. Puupelletit ovat erittäin alttiita kosteudelle, ja ne tulee aina säilyttää ilmatiiviissä astiassa. Jos varastoit grilliä käyttämättömänä pitkiä aikoja, suosittelimme, että poistat kaikki pelletit grillin pellettisäiliöstä ja kairasta tukkeutumisen estämiseksi. Pellettipolttaineen keskimääräinen lämpöarvo on 8 000 – 8 770 BTU/lb, tuhkapitoisuus <1 %.

Älä käytä spritiä, bensiiniä, sytytinnestettä tai kerosiinia grillin tulen sytyttämiseen tai kohentamiseen. Pidä kaikki tämänkaltaiset nesteet turvallisen välimatkan päässä laitteesta, kun se on käytössä.

Tämän ohjekirjan painoon menon aikaan grillien puupelleteille ei ole alan standardia, vaikka useimmat pellettien valmistajat käyttävät samaa standardia kotitalouskäyttöön tarkoitettujen pellettien valmistuksessa. Saat lisätietoja osoitteesta www.pelletheat.org tai *Pellet Fuel Institute* -organisaatiosta.

Tietoa pellettien laadusta alueellasi sekä eri merkkien laadusta saat paikalliselta jälleenmyyjältäsi. Koska käytettyjen pellettien laatua koskevaa valvontaa ei ole ja kosteus heikentää pellettien laatua, emme ota mitään vastuuta huonolaatuisen polttoaineen mahdollisesti aiheuttamista vaurioista.

KREOSOOTTI

Kreosootti eli noki on tervan kaltainen aine. Se tuottaa palaessaan mustaa savua sekä jäännöksiä, jotka ovat myös mustia väriltään. Nokea tai kreosoottia muodostuu, kun laitetta käytetään väärällä tavalla. Esimerkkejä tästä ovat tukos palotuulettimessa, paloalueen puutteellinen puhdistus ja ylläpito ja heikko ilma-polttoaine-palamissuhde.

On vaarallista käyttää tätä laitetta, jos liekki muuttuu tummaksi tai nokiseksi, tai jos paloastiassa on liikaa pellettejä. Syttyessään kreosootti synnyttää erittäin kuumaa ja hallitsemattoman tulen, joka on samankaltainen kuin rasvatuli. Jos näin tapahtuu, aseta laite OFF-asentoon, anna sen jäähtyä täysin ja tutki sen jälkeen huolto- ja puhdistustarve. Kreosoottia kertyy usein poistoilman alueille.

Jos kreosoottia on muodostunut yksikön sisälle, lämmitä laite alhaiseen lämpötilaan, sammuta se ja pyyhi sitten muodostumat pois käsipyyhkeellä. Kuten terva, se on helpompi puhdistaa lämpimänä, koska se muuttuu nestemäiseksi.

HIILIMONOKSIDI ("HILJAINEN TAPPAJA")

Hiilimonoksidi eli häkä on väritön, hajuton ja mauton kaasu, jota muodostuu kaasua, puuta, propaania, hiiltä tai muuta polttoainetta poltettaessa. Hiilimonoksidi heikentää veren hapenkuljetuskykyä. Alhainen veren happipitoisuus voi johtaa päänsärkyyn, huimaukseen, heikotukseen, pahoinvointiin, oksentamiseen, uneliaisuuteen, sekavuuteen, tajunnan menetykseen tai kuolemaan. Näitä ohjeita seuraamalla voit estää tätä väritöntä, hajutonta kaasua myrkyttämästä sinua, perhettäsi tai muita:

- Käy lääkärissä, jos sinulle tai muille tulee nuhan tai flunssan kaltaisia oireita ruokaa valmistettaessa tai laitteen läheisyydessä oleskeltaessa. Häkämyrkytys, joka helposti sekoitetaan nuhaan tai flunssaan, havaitaan usein liian myöhään.
- Alkoholien ja huumeiden käyttö lisää häkämyrkytyksen vaikutuksia.

Hiilimonoksidi on erityisen myrkyllistä äidille ja lapselle raskauden aikana, pienille lapsille, vanhuksille, tupakoitsijoille ja henkilöille, joilla on vereen tai verenkiertojärjestelmään liittyviä ongelmia, kuten anemia tai sydänvika.

TURVALLISUUSSELOSTE

Noudattaa seuraavia standardeja: EN 60335-2-102:2016, EN 60335-1:2012 + A11:2014 + A13:2017 + A1: 2019 + A14: 2019 + A2: 2019, EN62233: 2008, EN 55014-1:2017, EN IEC 61000-3-2:2019, EN 61000-3-3:2013+A1:2019, EN 55014-2:2015.



FCC-VAATIMUSTENMUKAISUUSVAKUUTUS

Tämä laite on FCC-sääntöjen osan 15 mukainen. Käyttö on seuraavien kahden ehdon alaista: (1) Tämä laite ei saa aiheuttaa haitallisia häiriöitä, ja (2) Tämän laitteen on siedettävä kaikki vastaanottamansa häiriöt, mukaan lukien sellaiset häiriöt, jotka voivat aiheuttaa ei-toivottua toimintaa.



Tämä laite on testattu, ja sen on todettu täyttävän luokan B digitaalilaitteita koskevat rajoitukset FCC-sääntöjen osan 15 mukaisesti. Nämä rajoitukset on suunniteltu tarjoamaan kohtuullista suojaa haitallisilta häiriöiltä asuinalueella käytettäessä. Tämä laite tuottaa, käyttää ja voi säteillä radiotaajuuksista energiaa, ja jos sitä ei asenneta ja käytetä ohjeiden mukaisesti, se voi aiheuttaa haitallisia häiriöitä radioviestintään. Ei ole kuitenkaan takeita siitä, että häiriöitä ei esiintyisi jossain tietyssä asennuksessa. Jos tämä laite aiheuttaa haitallisia häiriöitä radio- tai televisiovastaanottoon, mikä voidaan todeta sammuttamalla laite ja käynnistämällä se uudelleen, on suositeltavaa yrittää korjata häiriöt yhdellä tai useammalla seuraavista toimenpiteistä:

- Suuntaa vastaanottoantenni uudelleen tai siirrä se toiseen paikkaan.
- Kasvata laitteen ja vastaanottimen välistä etäisyyttä.
- Liitä laite pistorasiaan, joka on eri piirissä kuin se pistorasia, johon vastaanotin on kytketty.
- Pyydä apua jälleenmyyjältä tai kokeneelta radio-/TV-tekniikolta.

Varoitus: käyttäjää varoitetaan siitä, että muutokset, joita vaatimustenmukaisuudesta vastaava osapuoli ei ole nimenomaisesti hyväksynyt, voivat mitätöidä käyttäjän oikeuden käyttää laitetta.

Bluetooth®-sanamerkki ja logo ovat Bluetooth® SIG, Inc.:n rekisteröityjä tavaramerkkejä, ja Espressif käyttää niitä lisenssin mukaisesti. Muut tavaramerkit ja tuotenimet kuuluvat omistajilleen.



TEKIJÄNOIKEUKSIA KOSKEVA HUOMAUTUS

Tekijänoikeus 2021. Kaikki oikeudet pidätetään. Tämän ohjekirjan mitään osaa ei saa kopioida, välittää eteenpäin, litteroida tai tallentaa hakujärjestelmään missään muodossa tai millään tavoin ilman nimenomaista kirjallista lupaa, jonka on myöntänyt

DANSONS EUROPE

11 Rue Galvani Pariisi, Ranska 75017

DANSONS POHJOIS-AMERIKA

3411 North 5th Avenue, Suite 500, Phoenix, AZ, USA 85013

ASIAKASPALVELU

www.pitboss-grills.com

SISÄLLYSLUETTELO

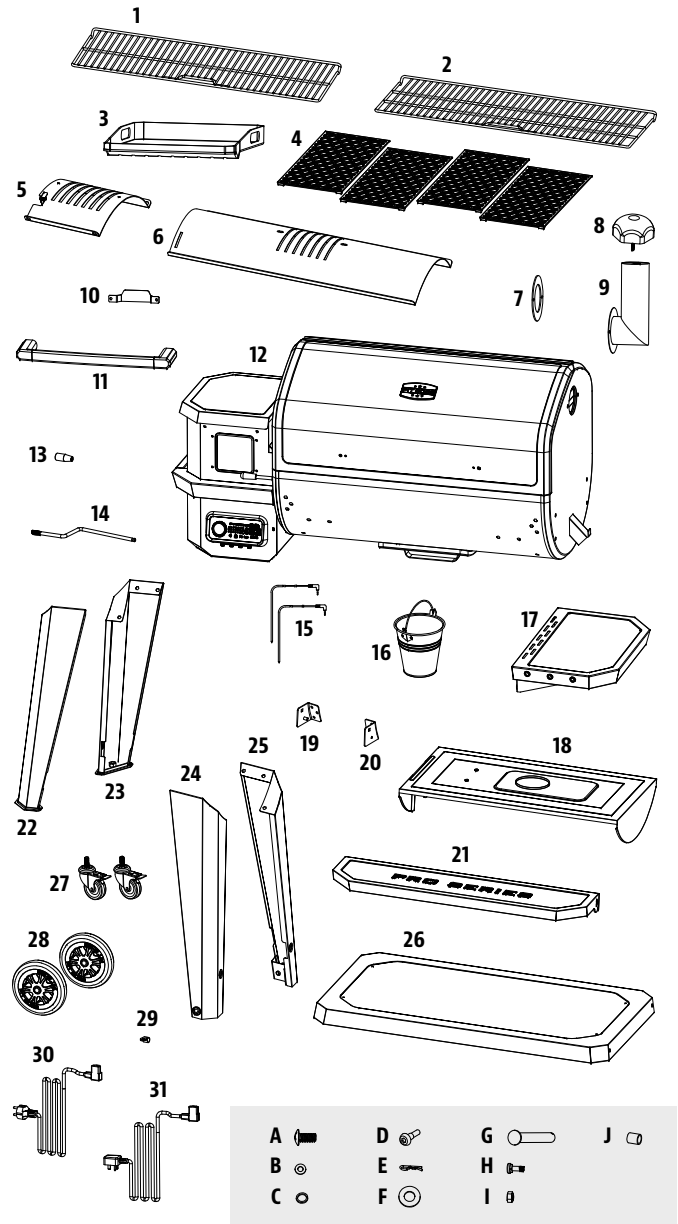
Turvallisuustiedot	170
Osat ja tekniset tiedot.....	174
Kokoamisen valmistelu.....	175
Kokoamisohjeet	
Jalkojen kiinnittäminen pääruppuun	175
Alahyllyn asentaminen	176
Pyörien lisääminen kärryyn	176
Kannen kahvan asentaminen	176
Sivuhyllyn kokoaminen.....	177
Sivuhyllyn asentaminen	177
Savupiipun kiinnittäminen.....	177
Etuhyllyn pidikkeiden kiinnittäminen.....	178
Etuhyllyn asentaminen	178
Diffuusorilevyn asettaminen	178
Liekkiparilan osien asentaminen	179
Ruu valmistusosien asentaminen	180
Ritiläkoukun asentaminen	180
Rasva-astian paikalleen asettaminen	180
Virtajohdon asentaminen	181
Virtalähteeseen kytkeminen	181
Käyttöohjeet	
Grillausympäristö	182
Grillin lämpötila-alueet.....	183
Tietoa ohjauspaneelistä.....	184
Ohjauspaneelin toiminnot	185
Smoke iT® -sovellukseen yhdistäminen	187
Pellettisäiliön alkusytytysmenetelmä.....	188
Ensimmäinen käyttökerta – grillin alkupoltto	188
Automaattinen käynnistystoiminto	188
Grillin sammuttaminen.....	188
Huolto ja ylläpito	189
Vinkkejä ja tekniikoita	191
Vianetsintä	192
Sähköjohtokaavio	194
Vaihto-osat	
Grillin vaihto-osat	195
Pellettisäiliön vaihto-osat.....	196
Takuu.....	197

FI

SUOMI

OSAT JA TEKNISET TIEDOT

Osanro	Kuvaus
1	Ylempi ruuanvalmistusteline (x1)
2	Keskimmäinen ruuanvalmistusteline (x1)
3	Parila (x1)
4	Ruoanvalmistusrillät (x4)
5	Liekkiparilan säädin (x1)
6	Liekkiparilan päälevy (x1)
7	Savupiipun tiiviste (x1)
8	Savupiipun kansi (x1)
9	Savupiipun runko (x1)
10	Ritiläkoukku (x1)
11	Kannen kahva (x1)
12	Päärumpu-pellettisäiliökokoonpano (x1)
13	Liekkiparilan säätöpalkin kahva (x1)
14	Liekkiparilan säätöpalkki (x1)
15	Lihalämpömittari (x2)
16	Rasva-astia (x1)
17	Sivuhylly (x1)
18	Diffuusorilevy (x1)
19	Etuhyllyn vasen pidike (x1)
20	Etuhyllyn oikea pidike (x1)
21	Etuhylly (x1)
22	Vasen etutukijalka (x1)
23	Vasen takatukijalka (x1)
24	Oikea etutukijalka (x1)
25	Oikea takatukijalka (x1)
26	Alahylly (x1)
27	Lukittuvat kääntöpyörät (x2)
28	Pyörä (x2)
29	Virtajohton pidike (x1)
30	Virtajohto – F-pistoke (x1)
31	Virtajohto – G-pistoke (x1)
A	Ruuvi (x28)
B	Aluslevy (x24)
C	Lukkolevy (x22)
D	Työkalukoukku (x3)
E	Pyörän sokkanaula (x2)
F	Pyörän aluslevy (x2)
G	Pyörän akselitappi (x2)
H	Ruuvi (x2)
I	Mutteri (x2)
J	Holkki (x2)



HUOMAUTUS: Jatkuvasta tuotekehityksestä johtuen osat voivat muuttua ilman erillistä ilmoitusta. Ota yhteyttä asiakaspalveluumme, jos osia puuttuu kokoamisvaiheessa.

PB – SÄHKÖISET VAATIMUKSET
220–240 V, 50 Hz, 275 W, MAADOITETTU PISTOKE

malli	KOOTTUNA (leveys x syvyys x korkeus)	PAINO	RUOANVALMISTUSALUE	LÄMPÖTILA-ALUE
PB PB1600PS1	1 587,5 MM x 813,5 MM x 1 400 MM / 62,50 TUUMAA x 32,03 TUUMAA x 55,12 TUUMAA	110,0 KG / 242,5 LB	YLÄTELIN – 2 474,8 CM ² / 383,6 NELIÖMETRIÄ KESKITELIN – 3 249,6 CM ² / 503,7 NELIÖMETRIÄ PÄÄTELIN – 4 587,1 CM ² / 711,0 NELIÖMETRIÄ YHTEENSÄ – 10 311,5 CM ² / 1598,3 NELIÖMETRIÄ	82–260°C / 180–500°F

KOKOAMISEN VALMISTELU

Osia on kaikkialla kuljetuslaatikossa, myös grillin alla. Tarkista grillin osat ja laitteen kuplapakkaus, kun olet poistanut suojaavan kuljetuslaatikon. Poista kaikki paketoimateriaalit grillin sisältä ja ulkoa ennen kokoamista, ja tutki ja tarkista kaikki osat vertaamalla niitä osaluetteloon. Jos jokin osa puuttuu tai on vahingoittunut, älä yritä koota laitetta. Takuu ei kata kuljetusvahinkoja. Ota yhteyttä jälleenmyyjään tai Pit Boss® -asiakaspalveluun koskien osia.

www.pitboss-grills.com

TÄRKEÄÄ: Tämän laitteen asennusta helpottaa, jos sen tekee kaksi henkilöä, mutta se ei ole välttämätöntä.

Kokoamisessa tarvittavat työkalut: ruuvitaltta ja vesivaaka. *Työkalut eivät sisälly lähetykseen.*



KOKOAMISOHJEET

TÄRKEÄÄ: Suosittelemme, että luet kunkin vaiheen kokonaan ennen kokoamisvaiheen aloittamista. Älä kiristä ruuveja loppuun asti ennen kuin kaikki kyseiseen vaiheeseen kuuluvat ruuvit on asennettu. Helayhdistelmässä, jossa on lukkolevy ja aluslevy, tulee asentaa lukkolevy lähimmäksi ruuvin päätä.

1. JALKOJEN KIINNITTÄMINEN PÄÄRUMPUUN

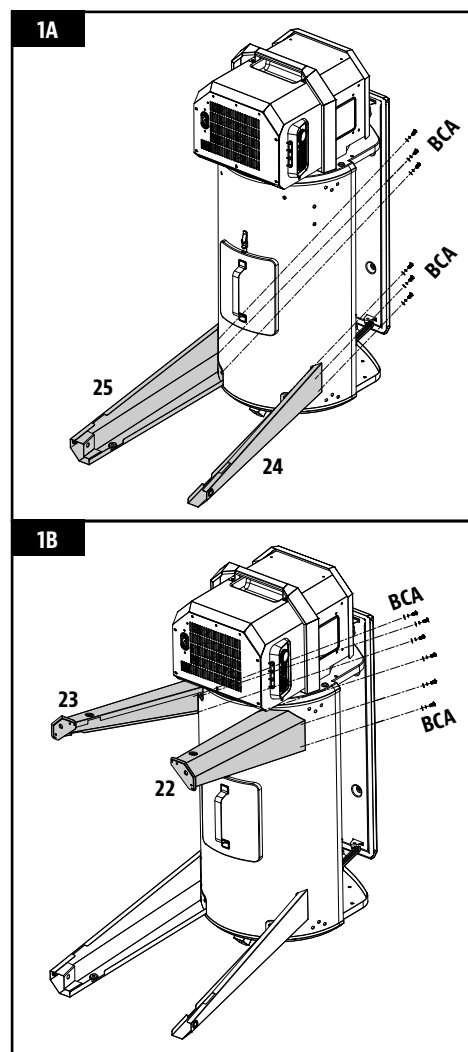
Tarvittavat osat:

- 1 x päärumpu/pellettisäiliökokoonpano (12)
- 1 x vasen etutukijalka (22)
- 1 x vasen takatukijalka (23)
- 1 x oikea etutukijalka (24)
- 1 x oikea takatukijalka (25)
- 12 x ruuvi (A)
- 12 x aluslevy (B)
- 12 x lukkolevy (C)

Asennus:

- Aseta lattialle pahvinpala suojaamaan laitetta ja osia naarmuuntumiselta kokoamisen aikana. Laske päärumpu kyljelleen pahvin päälle niin, että pellettisäiliön pää on ylöspäin.
- Kiinnitä oikea etutukijalka päärummun lattian puoleiseen päähän kolmella ruuvilla, aluslevyllä ja lukkolevyllä kolmen esiporatun reiän läpi. Asenna ruuvit päärummun sisäpuolelta. Asenna oikea takatukijalka samalla tavoin. Katso kuva 1A.
- Kiinnitä seuraavaksi vasen etutukijalka päärummun pellettisäiliön puoleiseen päähän kolmella ruuvilla, aluslevyllä ja lukkolevyllä kolmen esiporatun reiän läpi. Asenna ruuvit päärummun sisäpuolelta. Asenna vasen takatukijalka samalla tavoin. Katso kuva 1B.

TÄRKEÄÄ: Älä kiristä ruuveja kokonaan, ennen kuin alahylly on asennettu seuraavassa vaiheessa.



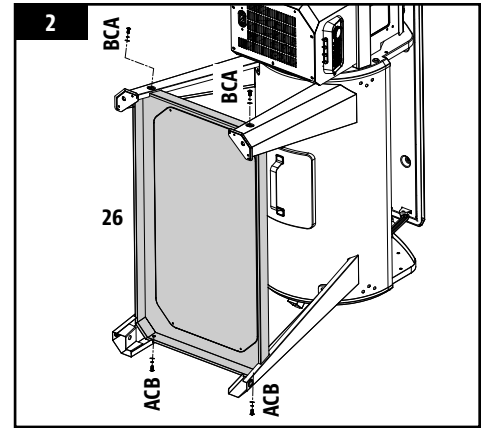
2. ALAHYLLYN ASENTAMINEN

Tarvittavat osat:

- 1 x alahylly (26)
- 4 x ruuvi (A)
- 4 x aluslevy (B)
- 4 x lukkolevy (C)

Asennus:

- Kiinnitä alahylly kuhunkin tukijalkaan yhdellä ruuvilla, lukkolevyllä ja aluslevyllä. Varmista, että hyllyn litteä puoli osoittaa ylöspäin kohti grillin runkoa.



3. PYÖRIEN LISÄÄMINEN KÄRRYYN

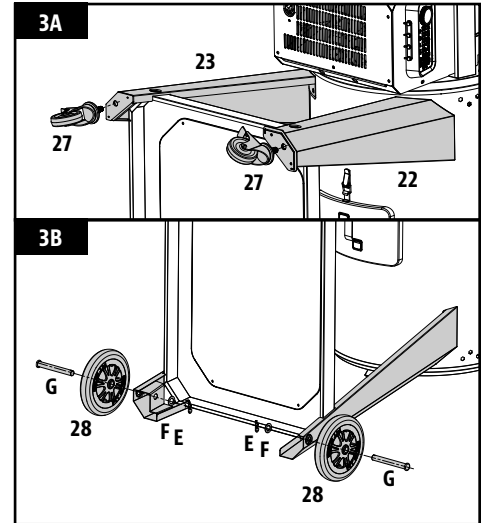
Tarvittavat osat:

- 2 x lukittuva kääntöpyörä (27)
- 2 x pyörä (28)
- 2 x pyörän sokkanaula (E)
- 2 x pyörän aluslevy (F)
- 2 x pyörän akselitappi (G)

Asennus:

- Aseta lukittavat kääntöpyörät tukijalkojen pohjaan ja kiristä ne reikiin käsin. Varmista, että jokainen lukittava kääntöpyörä menee reikään loppuun asti. Katso kuva 3A.
- Kytke pyörät kumpaankin oikeaan tukijalkaan työntämällä pyörän akselitappi pyörän läpi, sitten tukijalan reiän ja pyörän aluslevyn läpi. Kiinnitä lopuksi pyörän sokkanaulalla. Katso kuva 3B.
- Kun hylly on kiinnitetty kunnolla, nosta grilli varovasti pystyasentoon.

TÄRKEÄÄ: Kun grilli on asetettu pystyasentoon, kiristä tukijalan ruuvit uudelleen varmistaaksesi, että ne ovat kunnolla kiinni.



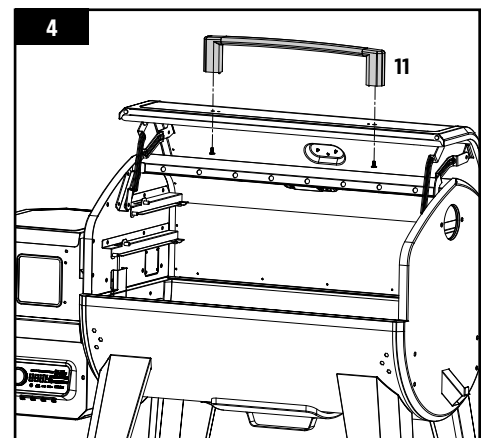
4. KANNEN KAHVAN ASENTAMINEN

Tarvittavat osat:

- 1 x kannen kahva (11)

Asennus:

- Irrota kannen kahvasta esiasennetut ruuvit. Syötä yksi ruuvi rummun kannen sisäpuolelta niin, että se työntyy ulkopuolelta. Kiristä sitten ruuvi käsin (sisäpuolelta) kannen kahvaan. Toista sama asennusmenetelmä kannen kahvan toiseen päähän.



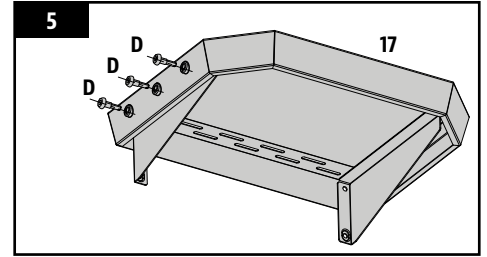
5. SIVUHYLLYN KOKOAMINEN

Tarvittavat osat:

- 1 x sivuhylly (17)
- 3 x työkalukoukku (D)

Asennus:

- Käännä sivuhylly ylösalaisin. Asenna työkalukoukut sivuhyllyn reunassa oleviin kolmeen reikään. Työkalukoukut kiinnittyvät hyllyn sisälle esiasennettuun mutteriin.



6. SIVUHYLLYN ASENTAMINEN

Tarvittavat osat:

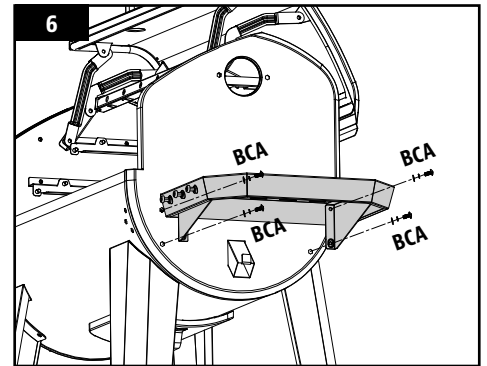
- 4 x ruuvi (A)
- 4 x lukkolevy (C)
- 4 x aluslevy (B)

Asennus:

- Kiinnitä sivuhylly päärummun sivupaneeliin alta käsin neljällä ruuvilla, lukkolevyllä ja aluslevyllä.

HUOMAUTUS: Älä kiristä ruuveja loppuun asti ennen kuin kaikki ruuvit on asennettu. Kun kaikki ruuvit on asennettu, kiristä ne kunnolla.

TÄRKEÄÄ: Älä käytä hyllyjä grillin siirtämiseen tai nostamiseen. Laitteen paino rikkoo hyllyt, eikä takuu kata sitä.



7. SAVUPIIPUN KIINNITTÄMINEN

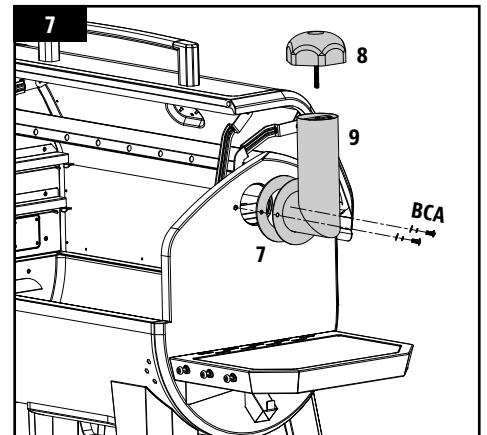
Tarvittavat osat:

- 1 x savupiipun tiiviste (7)
- 1 x savupiipun kansi (8)
- 1 x savupiipun runko (9)
- 2 x ruuvi (A)
- 2 x lukkolevy (C)
- 2 x aluslevy (B)

Asennus:

- Etsi savupiipun aukko päärummun sivulta. Kiinnitä savupiipun runko ja tiiviste sivupaneeliin ulkopuolelta kahdella ruuvilla, lukkolevyllä ja aluslevyllä. Ruuvit kiinnittyvät rummun sisällä oleviin esiasennettuihin muttereihin.
- Kiinnitä seuraavaksi savupiipun kansi savupiipun rungon päähän kiertämällä savupiipun kannen ruuvi savupiipun runkoon.

HUOMAUTUS: Voit säätää päägrillin sisäistä ilmavirtausta säätämällä savupiipun kantta. Jos valmistat ruokaa matalalla lämpötilalla, pidä kansi enemmän auki. Varmista, että savupiipun kansi päästää ilmaa ulos.



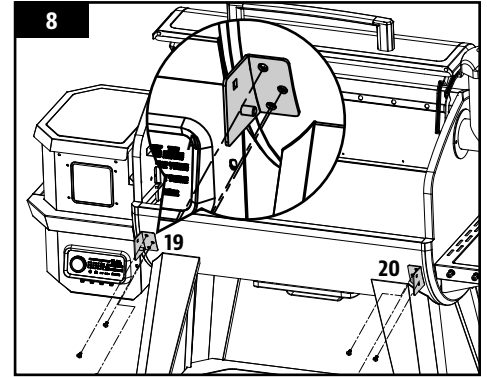
8. ETUHYLLYN PIDIKKEIDEN KIINNITTÄMINEN

Tarvittavat osat:

- 1 x etuhyllyn vasen pidike (19)
- 1 x etuhyllyn oikea pidike (20)
- 6 x ruuvi (A)

Asennus:

- Kiinnitä yksi etuhyllyn pidike grillirummun etupuolelle kolmella ruuvilla. Asenna ruuvit ensin puoliväliin asti ja kiristä ne loppuun, kun kaikki kolme ruuvia on kiinnitetty ja kohdistettu oikein.
- Toista sama asennusvaihe toiselle etuhyllyn pidikkeelle.



9. ETUHYLLYN ASENTAMINEN

Tarvittavat osat:

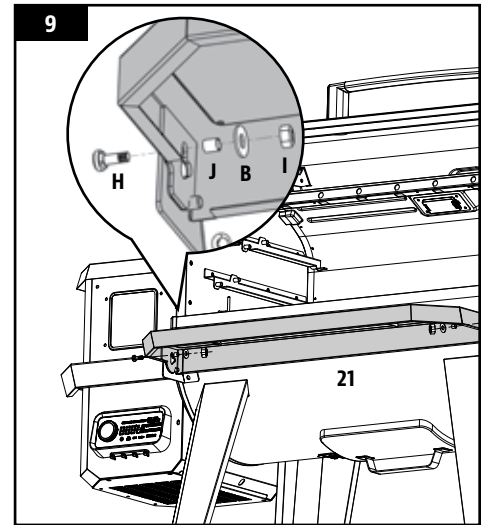
- 1 x etuhylly (21)
- 2 x aluslevy (B)
- 2 x ruuvi (H)
- 2 x mutteri (I)
- 2 x holkki (J)

Asennus:

- Työnnä ruuvi alapuolelta (ulkopuolelta) etuhyllyn pidikkeeseen ja etuhyllyyn. Lisää sitten ruuviin holkki, aluslevy ja mutteri. Toista sama asennusvaihe etuhyllyn pidikkeen toiselle puolelle.

HUOMAUTUS: Oikein asennettuna etuhylly voidaan nostaa (käyttöä varten) ja laskea (säilytystä varten) helposti.

TÄRKEÄÄ: Älä käytä hyllyjä grillin siirtämiseen tai nostamiseen. Laitteen paino rikkoo hyllyt, eikä takuu kata sitä.



10. DIFFUUSORILEVYN ASETTAMINEN

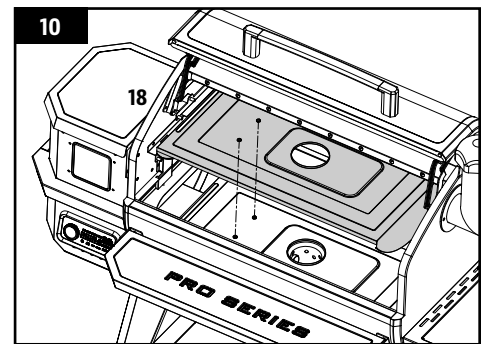
Tarvittavat osat:

- 1 x diffusorilevy (18)

Asennus:

- Aseta diffusorilevy päärumpuun siten, että sen keskellä oleva kohdistus suoraan päärummun pohjassa olevaan pyöreään tulipesään.

HUOMAUTUS: Diffusorilevyä ei tarvitse kiinnittää.



11. LIEKKIPARILAN OSIEN ASENTAMINEN

Tarvittavat osat:

- 1 x liekkiparilan säädin (5)
- 1 x liekkiparilan päälevy (6)
- 1 x liekkiparilan säätöpalkin kahva (13)
- 1 x liekkiparilan säätöpalkki (14)

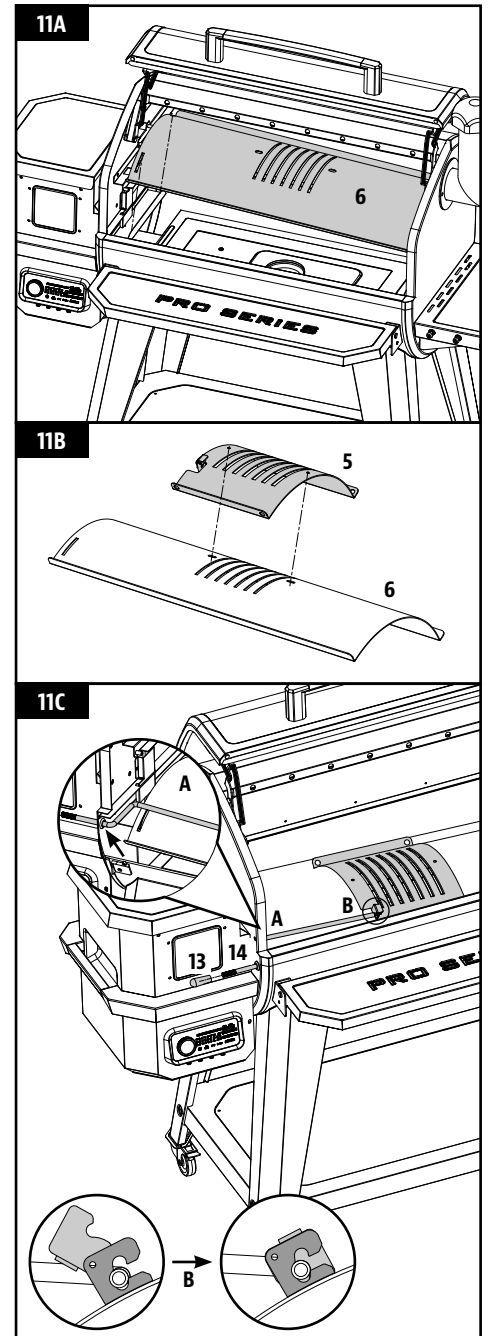
Asennus:

- Aseta liekkiparilan päälevy grillin pääosaan, oikea puoli ensin. Aseta liekkiparilan päälevy grillin pääosan sisäpuolella oikealla olevan reunuksen päälle. Tämä reuna ohjaa rasvan rasva-astiaa kohti. Liu'uta koko osa vasemmalle, jolloin liekkiparilan päälevyissä olevat kaksi aukkoa sopivat tulipesän yläpuolella olevaan pyöristettyyn kielekkeeseen. Se asettuu paikalleen aavistukseen alaspäin kallistuvassa kulmassa. Katso kuva 11A.

TÄRKEÄÄ: Jos liekkiparilan päälevy on rummun pohjalla, se on asennettu väärin. Liekkiparilan päälevyn tulee asettua vinosti siten, että vasen puoli on ylempänä kuin oikea puoli. Tämän osan asentaminen väärin saattaa vahingoittaa grillin rumpua.

- Aseta liekkiparilan säädin liekkiparilan päälevyn päälle niin, että se peittää lovetut reiät. Varmista, että ulkoneva läppä on vasemmalla niin, että suoran tai epäsuoran liekin valinta on helppoa ruuanvalmistuksen aikana. Katso kuva 11B. Molemmat liekkiparilan osat on käsitelty kevyesti öljyllä ruostumisen estämiseksi kuljetuksen aikana.
- Poista sitten liekkiparilan säätöpalkin kahva liekkiparilan säätöpalkista. Aseta liekkiparilan säätöpalkki päärummun vasemmalla puolella olevan aukon läpi. Aseta liekkiparilan säätöpalkin kahva takaisin rummun ulkopuolella olevaan päähän. Liu'uta seuraavaksi säätöpalkin epätasainen pää liekkiparilan säätimen lukitusläppään, jotta pääset joustavasti käsiksi päälevyn liekkiparilan säätimeen. Katso vaiheet kuvasta 11C.

HUOMAUTUS: Kun liekkiparilan säädin on auki ja käytät avotulta, älä jätä grilliä valvomatta hetkeksikään.



12. RUUANVALMISTUSOSIEN ASENNUS

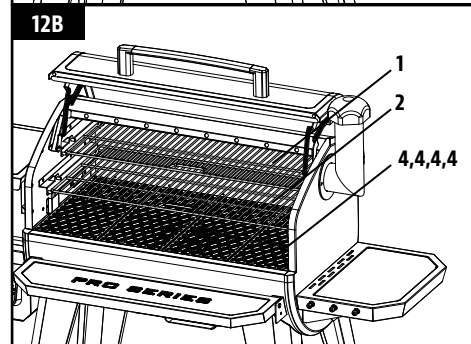
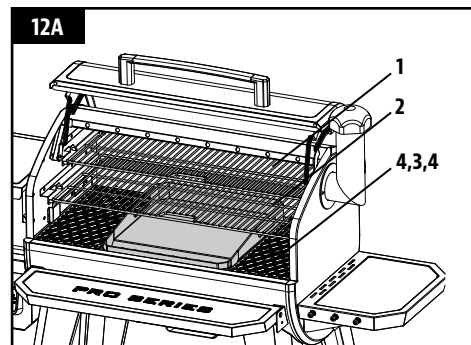
Tarvittavat osat:

- 1 x ylempi ruuanvalmistusteline (1)
- 1 x keskimäinen ruuanvalmistusteline (2)
- 1 x parila (3)
- 4 x ruoanvalmistusritilä (4)

Asennus:

- Valitse haluamasi ruoanlaittotaso: kaksi ruoanvalmistusritilää ja parila (kuvassa 12A) tai neljä ruoanvalmistusritilää (kuvassa 12B). Sijoita haluamasi yhdistelmä grillin sisällä oleville alemmille ritilähyllyille.
- Aseta seuraavaksi keskimäinen ruoanvalmistusteline päägrillin sisäpuolella oleville keskimäisille reunuksille. Aseta ylempi ruoanvalmistusteline grillin pääosan sisällä olevien yläreunojen päälle.

HUOMAUTUS: Ruoanvalmistusritilöiden ja -telineiden ruskistus- ja grillausominaisuuksien ylläpitämiseksi tarvitaan säännöllistä huoltoa ja ylläpitoa.



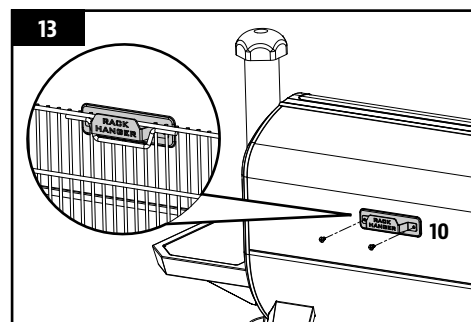
13. RITILÄKOUKUN ASENTAMINEN

Tarvittavat osat:

- 1 x ritiläkoukku (10)

Asennus:

- Kiinnitä ritiläkoukku päärummun takapaneeliin kahdella esiasennetulla ruuvilla. Ruoanlaittotelineet voidaan ripustaa ritiläkoukkuun, kun niitä ei käytetä.



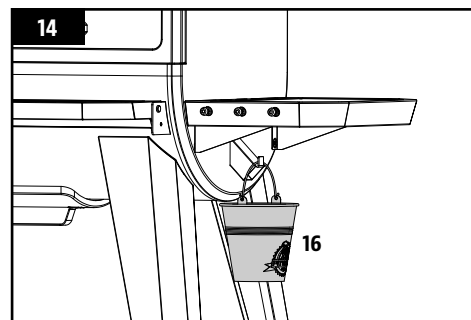
14. RASVA-ASTIAN PAIKALLEEN ASETTAMINEN

Tarvittavat osat:

- 1 x rasva-astia (16)

Asennus:

- Aseta rasva-astia päärummun päässä olevaan hakaan. Varmista, että se on suorassa rasvan läikkymisen estämiseksi.
- Laitteen kokoaminen on nyt valmis.



15. VIRTAJOHDON ASENTAMINEN

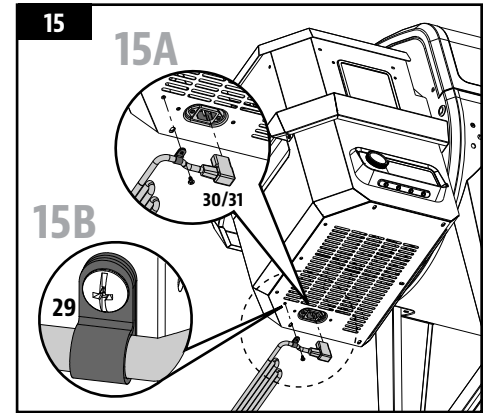
HUOMAUTUS: Toimitukseen sisältyy kaksi virtajohtoa. Valitse alueellasi tarvittava virtajohto.

Tarvitavat osat:

- 1 x virtajohdon pidike (29)
- 1 x virtajohto (30 tai 31)

Asennus:

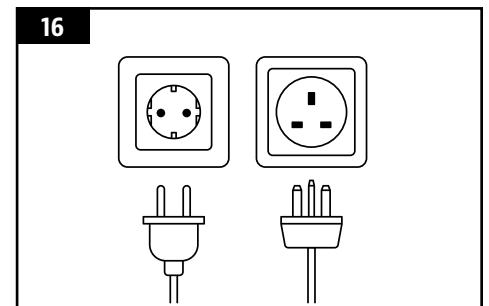
- Aseta virtajohdon pidike virtajohtoon. Syötä virtajohto sitten yksikön pohjassa olevaan syvennykseen. Katso kuva 15A.
- Kiinnitä virtajohdon pidike pohjapaneeliin esiasennetulla ruuvilla kuvan osoittamalla tavalla. Katso kuva 15B.



16. VIRTALÄHTEESEEN LIITTÄMINEN

- **STANDARDIPISTORASIA**
Tämä laite vaatii 220–240 volttia, 50 Hz, 275 wattia. Siinä on oltava maadoitettu pistoke. Varmista ennen käyttöä, että maadoitettua päätä ei ole irrotettu. Säädin käyttää 220–240 voltin pikasulaketta, mikä suojaa levyä sytyttimeltä.

TÄRKEÄÄ: Irrota laite virtalähteestä, kun se ei ole käytössä.



KÄYTTÖOHJEET

Nykyajan elämäntyyliin kuuluu pyrkimys syödä terveellistä ja ravitsevaa ruokaa. Yksi huomioon otettava tekijä on vähentää rasvaa ruokavaliossa. Parhaita tapoja vähentää rasvaa ruokavaliossa on käyttää vähärasvaisia ruuanvalmistustapoja, kuten grillausta. Koska pellettigrilli käyttää luonnollisia puupellettejä, lihat maustuvat maukaalla puun aromilla, mikä vähentää sokeripitoisten kastikkeiden käytön tarvetta. Tulet huomaamaan, että kaikkialla tässä ohjekirjassa korostetaan ruuan grillaamista ALHAISELLA tai KESKITASON lämpötila-asetuksilla.

GRILLAUSYMPÄRISTÖ

1. GRILLIN SIJAINTI

Kaikkien ulkona käytettävien laitteiden kohdalla ulkoilmaolosuhteilla on suuri vaikutus grillin toimintaan ja täydellisten aterioiden valmistusaikaan.

Kaikkien Pit Boss® -yksiköiden tulee olla vähintään 914 mm (36 tuumaa) palavien rakenteiden ympärillä. Tämä turvaetäisyys on huomioitava aina grillin ollessa käytössä. Tätä laitetta ei saa asettaa yläpuolella olevan palavan katon tai ulokkeen alle. Säilytä grillisi alueella, jolla ei ole palavia materiaaleja, bensiiniä tai muita syttyviä höyryjä tai nesteitä.

2. RUUANVALMISTUS KYLMÄLLÄ ILMALLA

Sään viileessä ei tarvitse ajatella, että grillauskausi on ohi! Kuulaan viileä ilma ja savustettujen ruokien taivaallinen aromi parantaa talvisen alakulun.

Nämä ehdotukset auttavat nauttimaan grillistäsi viileämpien kuukausien aikana:

- Jos savustus alhaisella lämpötilalla epäonnistuu, lisää hieman lämpötilaa saman lopputuloksen saavuttamiseksi.
- Ole järjestelmällinen – kerää kaikki tarvitsemasi valmiiksi keittiössä ennen kuin suuntaat ulos. Siirrä grillisi talvella paikkaan, joka ei ole alttiina tuulelle ja suoralle pakkaselle. Tarkista paikalliset säännökset liittyen grillin etäisyyteen talosta ja/tai muista rakenteista. Kokoa kaikki tarvitsemasi tarjottimelle, pukeudu lämpimästi ja ala kokata!
- Pidä silmällä ulkoilman lämpötilaa asettamalla ulkolämpömittari lähelle ruuanvalmistuspaikkaasi. Pidä kirjaa siitä, mitä ruokia olet valmistanut, sekä ulkoilman lämpötilasta ja ruuanvalmistusajasta. Tämä auttaa sinua myöhemmin päättämään, mitä valmistaa ja miten pitkään se kestää.
- Pidennä erittäin kylmällä säällä esilämmitysaika ainakin 20 minuutilla.
- Vältä kannen avaamista enempää kuin välttämätöntä. Kylmät tuulenpuuskat voivat viilentää grillin lämpötilan täysin. Ole joustava tarjoiluakiasi suhteen; lisää ylimääräistä valmistusaikaa aina, kun avaat kannen.
- Pidä lämmitettyä lautasta tai kannellista astiaa valmiina niin, että ruoka säilyy lämpimänä sisälle viennin aikana.
- Parhaiten talviseen ruuanvalmistukseen sopivat ruuat, jotka kaipaavat vain vähän huomiota, kuten paistit, kokonaiset broilerit, ribsit ja kalkkuna. Tee ruuanvalmistuksesta vielä helpompaa lisäämällä yksinkertaisia aineksia, kuten juureksia ja perunoita.

3. RUUANVALMISTUS KUUMALLA ILMALLA

Kun sää ulkona lämpenee, valmistusaika lyhenee.

Nämä ehdotukset auttavat nauttimaan grillistäsi kuumien kuukausien aikana:

- Säädä ruuanvalmistuslämpötiloja alemmiksi. Näin estät tahattomat tulen leimahdukset.
- Käytä lihalämpömittaria ruokien sisälämpötilan mittaamiseen. Näin estät ruokien ylikypsymisen ja kuivumisen.
- Myös kuumalla säällä on kuitenkin parempi valmistaa ruokaa niin, että grillin kansi on suljettuna.
- Voit pitää ruokia kuumana käärimällä ne folioon ja pitämällä niitä eristetyssä kylmälaukussa. Pakkaa rutistettua sanomalehtipaperia folion ympärille; näin ruoka säilyy kuumana 3 – 4 tunnin ajan.

GRILLIN LÄMPÖTILA-ALUEET

Ohjauspaneelin lämpötilatiedot eivät välttämättä vastaa tarkoin lämpömittaria. Kaikki alla luetellut lämpötilat ovat arvioita, ja niihin vaikuttavat seuraavat tekijät: ulkopuolisen ympäristön lämpötila, tuulen voimakkuus ja suunta, käytetyn pellettipolttoaineen laatu, kannen avaaminen ja valmistetun ruoan määrä.

- **KORKEA LÄMPÖTILA (205-260°C)**

Tätä lämpötila-aluetta on paras käyttää ruskistamiseen ja grillaamiseen korkeassa lämpötilassa. Käytä yhdessä liekkiparilan (sivulevy) kanssa epäsuoraa tai suoraa liekitystä varten. Kun **liekkiparila on auki**, suoralla liekillä voidaan luoda "raakoja" pihvejä, liekitettyjä vihanneksia, valkosipulipaahtoleipää ja muita herkkuja! Kun **liekkiparila on suljettu**, ilma kiertää rummussa ja luo konvektiolämpöä. Korkeaa lämpötilaa käytetään myös grillin esilämmitykseen, ruoanvalmistusrätköiden polttamiseen ja korkean lämpötilan saavuttamiseen erittäin kylmissä olosuhteissa.

- **KESKITASON LÄMPÖTILA (135-180 °C)**

Tämä lämpötila-alue on paras paistamiseen, paahtamiseen ja hitaasti savustetun luomuksen viimeistelyyn. Ruoanvalmistus näissä lämpötiloissa vähentää huomattavasti rasvan leimahtamisen mahdollisuutta. Varmista, että liekkiparilan säädin on suljettu-asennossa niin, että se peittää lovetut reiät. Tämä on mainio lämpötila-alue pekoniin käärittyjen ruokien valmistukseen, tai kun haluat säädön muunneltavuutta.

- **ALHAINEN LÄMPÖTILA (82-125 °C)**

Tätä lämpötila-aluetta käytetään hitaaseen paistamiseen, savustetun maun lisäämiseen ja ruokien pitämiseen lämpimänä. Tuo lisää savun makua ja pidä liha mehukkaana paahtamalla sitä pidempään alhaisessa lämpötilassa (tunnetaan myös nimellä **low and slow**). Tätä menetelmää suositellaan erityisesti isolle kalkkunalle tai kinkulle jouluna tai isolle juhla-aterialle.

Savustus on aidon grillauksen osa-alue, ja se onkin puupellettigrillillä grillaamisen pääasiallinen etu. **Kuumasavustus**, toinen nimi **alhaisella lämpötilalla hitaasti** tapahtuvalle ruoanvalmistukselle, joka tehdään yleensä 82-125 °C:n lämpötilassa. Kuumasavustus toimii parhaiten, kun tarvitaan pitkä valmistusaika, kuten isoille määrille lihaa, kalaa tai siipikarjan lihaa.

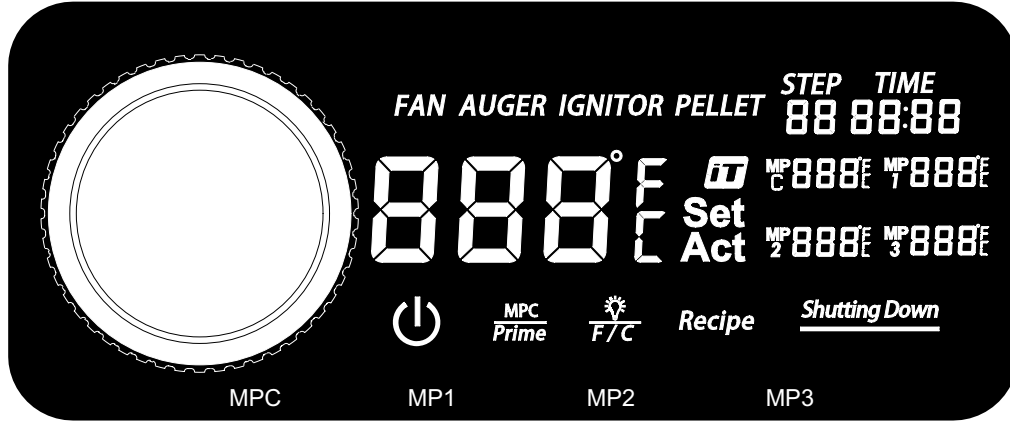
VINKKI: Jos haluat lisätä ruuan maukkautta, vaihda alhaiseen lämpötilaan heti, kun olet asettanut ruuan grilliin. Näin liha kyllästyy savun maulla.

Olennaista on kokeilla savustukseen käytettyä aikaa ennen kuin liha on kypsynyt täysin. Jotkut ulkoilmakokit savustavat mieluiten ruoanvalmistuksen lopulla niin, että ruoka säilyy lämpimänä tarjoiluhetkeen asti. Harjoitus tekee mestarin!

TIETOA OHJAUSPANEELISTA

Tämä digitaalinen PID-ohjauspaneeli on hyvin samankaltainen kuin keittiössä olevan uunin säätimet. Sen suurin etu on mahdollisuus ottaa automaattisesti huomioon erilaiset sääolosuhteet ja polttoainetyypit.

TÄRKEÄÄ: Grillin sisälämpötila vaihtelee huomattavasti sijainnin mukaan. Jopa yhdessä kalibroidut mittausvälineet saattavat antaa eri tuloksia.



OHJAIN	KUVAUS
	Paina tätä painiketta kerran käynnistääksesi laitteen. Se aloittaa automaattisen käynnistysohjelman. Pidä tätä painiketta pohjassa kolmen sekunnin ajan sammuttaaksesi laitteen ja aloittaaksesi automaattisen jäähdytysohjelman. Tämä painike palaa valkoisena, kun laite on yhdistetty virtalähteeseen ja laite on käynnissä.
	Smoke iT® -kuvake tarkoittaa Wi-Fi-yhteyden mahdollisuutta. Kun Wi-Fi- tai Bluetooth®-yhteyttä haetaan, Smoke iT®-kuvake alkaa vilkkua. Kun Wi-Fi-yhteys on muodostettu, Smoke iT®-kuvake näkyy keskeytyksettä. Kun yhteys on muodostettu, saat tietoja grillin senhetkisestä ja asetetusta lämpötilasta, kokkausajasta ja lihalämpömittarin lukemista. Sen avulla voit myös säätää ohjauspaneelin asetuksia.
	Tällä painikkeella on kaksi toimintoa: lämpötilayksiköiden vaihto ja valo. <ol style="list-style-type: none"> 1. Paina tätä painiketta lyhyesti käynnistääksesi tai sammuttaaksesi grillin rummun sisällä olevan valon. 2. Paina tätä painiketta kolmen sekunnin ajan vaihtaaksesi lämpötilanäytössä näkyviä lämpötilan yksiköitä. Valittavana on celsius (°C) ja fahrenheit (°F). Oletusarvo on Celsius (°C).
	Tällä painikkeella on kaksi toimintoa: lihalämpömittarin hallinta (MPC) ja Prime-painike. <ol style="list-style-type: none"> 1. Tämän painikkeen lyhyt painallus aktivoi ohjelmoitavan lihalämpömittarin, joka on ensimmäinen lihalämpömittarin liitäntäportti (MPC). Voit säätää ohjelmoitavan lihalämpömittarin lämpötilaa säätimen nupilla. Voit vahvistaa valinnan ja poistua ohjelmoitavan lihalämpömittarin asetuksista painamalla säätimen nuppia uudelleen. 2. Pidä tätä painiketta painettuna kolmen sekunnin ajan aktivoiaksesi pellettien jatkuvan manuaalisen syötön tulipesään. Painikkeen vapauttaminen lopettaa pellettien manuaalisen syötön. Tämän painikkeen avulla tuleen voidaan lisätä polttoainetta ennen rummun kannen avaamista. Näin lämpö palautuu nopeasti. Sitä voidaan myös käyttää savustuksen aikana lisäämään puhtaan savun maukua. Tätä ominaisuutta on pyydetty kilpailugrilleihin.



Ohjaimen voidaan suurentaa, pienentää ja valita asetusarvoja. Kiertämällä säätimen nuppia voit valita ajan, lämpötilan tai vaiheen aktiivisessa asetusvalikossa. Vahvista valittu arvo painamalla säätimen nuppia.

888°F Set Act

Keskuslukema näyttää sekä todellisen että asetetun lämpötilan. Todellinen lämpötila näytetään jatkuvasti, paitsi asetettua lämpötilaa säädettäessä. Todellinen lämpötila on pääosin sisällä oleva lämpötila. Todellisen lämpötilan lukema perustuu grillin rummun sisällä olevan anturin antamaan tietoon.

Näytä asetettu lämpötila painamalla säätimen nuppia. Asetettu lämpötila on aktiivinen, kun lukema vilkkuu. Säädä asetettua lämpötilaa kiertämällä säätimen nuppia tarpeen mukaan. Kun saavutat haluamasi asetetun lämpötilan, vahvista asetettu lämpötila painamalla säätimen nuppia, jolloin lukema palaa takaisin todelliseen lämpötilaan.

Recipe

Ota reseptivaiheet käyttöön painamalla tätä painiketta kerran. Tarjolla on yhdeksän eri reseptivaihetta. Voit säätää kunkin reseptivaiheen asetuksia säätimen nupilla.

STEP
88

Näyttää nykyisen reseptivaiheen.

TIME
88:88

Näyttää reseptivaiheen aikana asetetun ajan. Avaa reseptiasetukset painamalla reseptipainiketta. Säätönupilla voit selata reseptivaihteita, joista yksi on aika.

MP
C 888°F

Näyttää todellisen ja asetetun lämpötilan ohjelmoitavalle lihalämpömittarille, joka on ensimmäinen lihalämpömittarin liitännäportti (MPC). Todellinen lämpötila näytetään jatkuvasti, paitsi asetettua lämpötilaa säädettäessä. Kun MPC-painiketta painetaan, valitun lihalämpömittarin lukema vilkkuu ja asetettua lämpötilaa voi säätää. Kun lihalämpömittari ei ole käytössä, irrota se liitännästä. Sen jälkeen näytöllä näkyy koodi "noP". Yhteensopiva vain Pit Boss® Grills -lihalämpömittarien kanssa.

MP
1 888°F
MP
2 888°F
MP
3 888°F

Näyttää lihalämpömittarin todellisen lämpötilan. Nämä kolme lihalämpömittarin lukemaa vastaavat valittua liitännäporttia. Kun lihalämpömittari ei ole käytössä, irrota se liitännästä. Sen jälkeen näytöllä näkyy koodi "noP". Yhteensopiva vain Pit Boss® Grills -lihalämpömittarien kanssa.

Shutting Down

Tämä teksti näkyy, kun virrankatkaisu on valittu. Se kertoo, että automaattinen jäähdytysjakso on alkanut. Kun jäähdytysjakso on valmis, teksti ei ole enää näkyvässä.

FAN

FAN-kuvake näkyy, kun tuuletin on toiminnassa. Kun tuulettimen FAN-kuvake vilkkuu, tuuletin ei toimi. Katso ohjeita vianetsintäosiosista.

AUGER

AUGER-kuvake näkyy, kun kaira kääntyy. Kun kairan AUGER-kuvake vilkkuu, kaira ei toimi. Katso ohjeita vianetsintäosiosista.

IGNITOR

IGNITOR-kuvake näkyy, kun sytytintä käytetään. Kun sytyttimen IGNITOR-kuvake vilkkuu, sytytin ei toimi. Katso ohjeita vianetsintäosiosista.

PELLET

Kun PELLET-kuvake on näkyvässä, tulipesän tuli on sammunut tai pellettisäiliö on tyhjä. Katso ohjeita vianetsintäosiosista.

OHJAUSPANEELIN TOIMINNOT

• GRILLIN LÄMPÖTILAN ASETTAMINEN

Grillianturi mittaa päärummun sisäistä lämpötilaa. Kun asetettua lämpötilaa säädetään, grillianturi mittaa päärummun sisäisen lämpötilan ja nostaa tai laskee sen vastaamaan asetettua lämpötilaa.

TÄRKEÄÄ: Laitteen lämpötilaan vaikuttaa suuresti ympäröivän ulkoilman sää, käytettyjen pellettien laatu, pellettien maku, ja valmistettavan ruuan määrä.

ASETETUN LÄMPÖTILAN ASETTAMINEN/SÄÄTÄMINEN

Voit säätää grillin asetettua lämpötilaa seuraavasti:

1. Paina säätimen nuppia. Asetetun lämpötilan lukema alkaa vilkkua, mikä kertoo sen olevan valittuna.
2. Säädä haluamasi lämpötila säätimen nupilla.
3. Kun saavutat haluamasi asetetun lämpötilan, vahvista asetettu lämpötila painamalla säätimen nuppia, jolloin lukema palaa takaisin todelliseen lämpötilaan.

• OHJELMOITAVAN LIHALÄMPÖMITTARIN KÄYTTÄMINEN

Lihalämpömittari mittaa grillissä valmistettavan lihan lämpötilaa samalla tavoin kuin keittiön uuni. Aseta ruostumattomasta teräksestä valmistettu lihalämpömittari lihan paksuimpaan osaan. Lihan sisäinen lämpötila näkyy ohjauspaneelin näytössä. Liitä lihalämpömittarin sovitin lihalämpömittarin liitäntäporttiin ja varmista, että se on työnnetty pistokkeeseen loppuun asti. Se napsahtaa paikalleen tuntuvasti ja kuuluvasti. Se kypsentää lihan haluamaasi lämpötilaan, mutta se myös alentaa grillin lämpötilan automaattisesti alhaiseksi (82 °C) pitääkseen ruoan lämpimänä tarjoilua varten. Aseta se ja rentoudu – lihalämpömittari hoitaa loput!

HUOMAUTUS: Kun asetat lihalämpömittarin lihaan, varmista, että lihalämpömittari ja sen johdot eivät ole suorassa kosketuksessa liekkiin tai kovaan kuumuuteen. Tämä voi vahingoittaa lihalämpömittaria. Vedä ylimääräinen johto ulos päärummun pakoaukoista, päärummun yläosasta (läheltä grillin kannen saranaa) tai pellettisäiliön lähellä olevan reiän läpi. Irrota lihalämpömittari liitännästä, kun se ei ole käytössä, ja aseta se pellettisäiliön kahvan reikiin, jotta se pysyy suojassa ja puhtaana.

OHJELMOITAVAN LIHALÄMPÖMITTARIN ASETTAMINEN/SÄÄTÄMINEN

Voit ohjelmoida haluamasi asetetun lämpötilan ohjelmoitavaan lihalämpömittariin seuraavasti:

1. Paina lyhyesti MPC-painiketta aktivoiaksesi ohjelmoitavan lihalämpömittarin. Kun lihalämpömittari on aktiivinen, sen lämpötilalukema vilkkuu.
2. Säädä haluamasi tavoitelämpötila säätimen nupilla.
3. Kun haluamasi lihalämpömittarin lämpötila on saavutettu, vahvista asetetus ja poistu ohjelmoitavan lihalämpömittarin asetuksista painamalla säätimen nuppia uudelleen.

RESEPTIN ASETTAMINEN

Reseptitoiminnon avulla käyttäjä voi ohjelmoida ruoanlaittoasetukset, eli reseptivaiheet, joita ohjauspaneeli voi seurata ja suorittaa automaattisesti. Ruoanlaittoasetukset muodostuvat ruoanlaittolämpötilan ja ajan yhdistelmästä. Ohjauspaneeli käy läpi kaikki reseptivaiheet ensimmäisestä (01) lähtien ja näin valmistaa aterian. Kun kaikki reseptivaiheet on suoritettu, ohjauspaneeli laskee lämpötilan automaattisesti 82 °C:een pitääkseen aterian lämpimänä tarjoiluun asti. Reseptivaiheita voi ohjelmoida yhteensä yhdeksän.

RESEPTIVAIHEEN OHJELMOIMINEN

Voit asettaa yhden tai useamman reseptivaiheen seuraavasti:

1. Pidä reseptipainiketta painettuna. Tällöin reseptipainike alkaa vilkkua sen merkiksi, että reseptiasetukset on nyt valittu. Tämä aktivoi myös reseptivaiheet. S-kirjain osoittaa, että vaihe on aktiivinen.
 - Valitse reseptivaihe säätimen nupilla. Aloita ensimmäisestä reseptivaiheesta (01).
 - Kun haluttu reseptivaihe on saavutettu, siirry seuraavaan asetukseen painamalla säätimen nuppia.
 2. Aseta tunnit. Aikalukeman tuntiosio alkaa vilkkua sen merkiksi, että se on valittuna.
 - Aseta haluamasi tuntimäärä säätimen nupilla.
 - Kun halutut tunnit on asetettu, siirry seuraavaan asetukseen painamalla säätimen nuppia.
 3. Aseta minuutit. Aikalukeman minuuttiosio alkaa vilkkua sen merkiksi, että se on valittuna.
 - Aseta haluamasi minuuttimäärä säätimen nupilla.
 - Kun halutut minuutit on asetettu, siirry seuraavaan asetukseen painamalla säätimen nuppia.
 4. Aseta lämpötila. Lämpötilan keskuslukema alkaa vilkkua sen merkiksi, että se on valittuna.
 - Aseta haluamasi lämpötila säätimen nupilla.
 - Kun saavutat haluamasi lämpötilalukeman, lukitse tämän reseptivaiheen asetukset pitämällä reseptipainiketta painettuna.
 - Jos haluat määrittää toisen reseptivaiheen, valitse toinen reseptivaihe painamalla reseptipainiketta lyhyesti. Näin voit ohjelmoida ruoanlaittoon useita vaiheita. Toista yllä olevat vaiheet tarpeen mukaan.
- Tai
- Poistu reseptiasetuksista ja suorita resepti pitämällä reseptipainiketta painettuna toisen kerran. Reseptipainike lakkaa vilkkumasta.

HUOMAUTUS: Reseptivaiheet nollautuvat, kun laite sammutetaan.

SMOKE IT® -SOVELLUKSEEN YHDISTÄMINEN

Noudattamalla näitä ohjeita voit yhdistää grillin Smoke iT®-sovellukseen Android™- tai iOS®-laitteellasi. Sovelluksen avulla voit ohjata ja seurata mobiililaitteellasi grilliä ja lihalämpömittarin lukemia. Nauti Smoke IT® -mobiililaitteyhteyden tarjoamista eduista!

1. Lataa Smoke iT® -sovellus. Avaa sovellus ja salli Bluetooth®-yhteyden käyttö asetusten määrittämistä varten. Uusien käyttäjien on luotava tili ja noudatettava kirjautumisohteita.
2. Jos olet Bluetooth®-kantaman (9 m) sisällä, Smoke iT®-sovellus havaitsee grillin automaattisesti. Valitse grillin malli. Jos grilli ei näy näytöllä, tarkista, että laite on yhdistetty virtalähteeseen ja että siihen on kytketty virta.
3. Anna grillillesi nimi (esim. oma grilli) sovelluksessa ja valitse sitten näytön alareunasta "Connect" (Yhdistä). Näin grilli tallentuu laitteen valikkoon.
4. Napsauta yhdistettävää grilliä laitteen valikosta. Tämä tuo näkyviin ohjauspaneelinäytön.
5. Napsauta oikean yläreunan asetuskuvaketta (hammasratas), anna Wi-Fi-kirjautumistietosi ja muodosta sitten yhteys asettamalla valintamerkki näytön alareunassa olevaan valintaruutuun. Nyt sekä Bluetooth®- että Wi-Fi (pilvi) -kuvakkeet näkyvät laitteen valikossa merkinä siitä, että grilli on yhdistetty.

Kun sovellusta käytetään, näyttö loistaa kirkkaasti, kun grilli on aktiivinen ja siihen on muodostettu yhteys. Jos sovelluksen näyttö tai grilli pimenee laitteen näytöllä, tarkista langaton yhteytesi tai virtalähde.

PELLETTISÄILIÖN ALKUSYTYTYSMENETELMÄ

Näitä ohjeita tulee noudattaa ensimmäisellä grillin sytytyskerralla ja aina, kun pelletit ovat loppuneet grillin pellettisäiliöstä. Kaira on valmisteltava niin, että pelletit voivat kulkea kairan koko pituudelta ja täyttää syöttöjärjestelmän. **Jos valmistelua ei suoriteta, sytytin aikakatkaistaan ennen kuin pelletit syttyvät, eikä tulta synny.** Valmistele pellettisäiliö seuraavasti:

1. Avaa päärummun kansi. Poista kaikki ruuanvalmistusosat grillin sisältä. Paikanna tulipesä päärummun pohjalta. Tarkista, ettei tulipesässä ole mitään tukkimassa syttymistä.
2. Liitä virtajohto virtalähteeseen. Käynnistä laite painamalla virtapainiketta. Tarkista seuraavat asiat:
 - Että kuulet kairan kääntyvän. Vie kätesi tulipesän yläpuolelle ja tunnustele, tunnetko ilman liikkuvan. Älä vie käsiäsi tai sormiasi tulipesän sisään. Tämä voi aiheuttaa vamman.
 - Noin minuutin kuluttua sinun pitäisi haistaa sytyttimen palavan ja alkaa tuntea, että ilma tulipesässä lämpenee. Sytyttimen kärki ei hehku punaisena, mutta se kuumenee erittäin kuumaksi ja polttaa kosketettaessa. Älä koske sytytimeen.
3. Kun olet varmistanut, että kaikki sähkökomponentit toimivat oikein, sammuta laite painamalla virtapainiketta ja pitämällä sitä painettuna kolmen sekunnin ajan.
4. Avaa pellettisäiliön kansi. Varmista, ettei pellettisäiliössä tai kairasyöttöjärjestelmässä ole sinne kuulumattomia esineitä. Täytä pellettisäiliö kuivilla luonnollisilla, grillaukseen tarkoitetuilla lehtipuupelleteillä.
5. Käynnistä laite jälleen painamalla virtapainiketta. Grillin käynnistysprosessin esiasetettu lämpötila on 176 °C, joten se alkaa lämmetä. Pidä Prime-painiketta painettuna, kunnes näet, että pellettejä tulee grillin sisään kairaputkesta. Kun pellettejä alkaa pudota tulipesään, vapauta Prime-painike.
6. Sammuta laite painamalla virtapainiketta kolmen sekunnin ajan.
7. Aseta ruuanvalmistusosat takaisin päärumpuun. Grilli on nyt käyttövalmis.

ENSIMMÄINEN KÄYTTÖKERTA – GRILLIN ALKUPOLTTO

Kun pellettisäiliö on valmisteltu ja ennen ensimmäistä grillauskertaa, on tärkeää suorittaa grillin alkupoltto. Käynnistä grilli ja käytä sitä missä tahansa yli 176 °C:n lämpötilassa (kansi suljettuna) 30–40 minuutin ajan. Tämä toimii grillin alkupolttona, jonka aikana vierasaineet palavat pois.

AUTOMAATTINEN KÄYNNISTYSTOIMINTO

1. Liitä virtajohto maadoitettuun virtalähteeseen. Avaa päärummun kansi. Tarkista, ettei tulipesässä ole mitään tukkimassa syttymistä. Avaa pellettisäiliön kansi. Varmista, ettei pellettisäiliössä tai kairasyöttöjärjestelmässä ole sinne kuulumattomia esineitä. Täytä pellettisäiliö kuivilla luonnollisilla, grillaukseen tarkoitetuilla lehtipuupelleteillä.
2. Käynnistä laite painamalla virtapainiketta. Näin käynnistysprosessi aktivoituu. Kairasyöttöjärjestelmä alkaa pyöriä, sytytin alkaa hehkua, ja tuuletin syöttää ilmaa tulipesään. Grilli alkaa tuottaa savua käynnistysprosessin aikana. Rummun kannen on oltava avoinna käynnistysprosessin aikana. Tiedät, että käynnistysprosessi on alkanut oikein, kun kuulet tulen jylinän ja huomaat, että laite alkaa tuottaa lämpöä.
3. Kun raskas, valkoinen savu on haihtunut, käynnistysvaihe on suoritettu loppuun ja voit aloittaa grillauksen haluamassasi lämpötilassa!

GRILLIN SAMMUTTAMINEN

1. Kun ruoanlaitto on valmis, sulje päärumpu ja sammuta laite painamalla virtapainiketta kolmen sekunnin ajan. Grilli aloittaa automaattisen jäähdytysprosessin. Kairajärjestelmä lopettaa polttoaineen syöttämisen ja liekki palaa loppuun. Tuuletin jatkaa toimintaansa jäähdytysprosessin loppuun asti.

HUOLTO JA YLLÄPITO

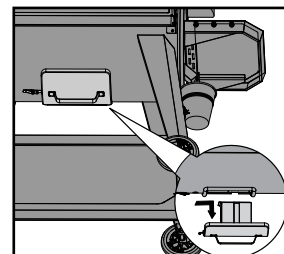
VAROITUS: Irrota aina sähköjohto ennen grillin avaamista tarkistusta, puhdistusta, ylläpito- tai huoltotoimenpiteitä varten. Varmista, että grilli on täysin viilentynyt vammojen välttämiseksi.

Kaikki Pit Boss® -laitteet kestävät käytössä useita vuosia ja ne vaativat vain vähän puhdistusta. Seuraa näitä puhdistus- ja ylläpitovihjeitä grillin huollossa:

1. TUHKAN POISTAMINEN

- Grillin rummun alaosassa on tuhkanpuhdistusluukku, jonka avulla pääset helposti puhdistamaan tulipesän sisäpuolen aina tarvittaessa. Kun haluat tyhjentää tuhkaluukun, vapauta sen salpa. Pidä kahvasta kiinni ja liu'uta tuhkakotelo irti salvasta ja vedä se sitten alas, niin se irtoaa. Kun tuhkakotelo on tyhjenetty, työnnä se takaisin paikalleen grillirummun pohjaan. Liu'uta tuhkakotelo sitten salpaa kohti ja kiinnitä salpa.

VAROITUS: Tätä ominaisuutta voidaan käyttää vain, kun grilli on jäähtynyt.



2. PELLETTISÄILIÖKOKOONPANO

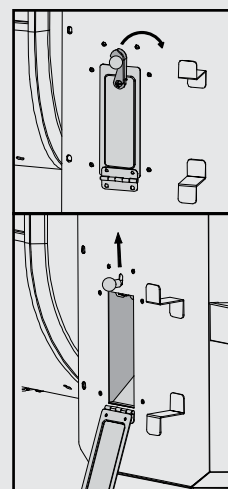
- Kaikkien pellettien poistaminen kairajärjestelmästä on suositeltavaa, jos grilli on käyttämättömänä pitkiä aikoja. Tämä voidaan tehdä yksinkertaisesti käyttämällä grilliä tyhjällä pellettisäiliöllä, kunnes kaikki pelletit ovat tyhjentyneet kairaputkesta.
- Tarkista pellettisäiliön pohjalla oleva tuulettimen sisäntuloventtiili roskien varalta ja puhdistu tarvittaessa. Kun pellettisäiliön käyttöpaneeli on poistettu (ks. kaavio kuvassa **Sähköjohtokaavio**), pyyhi varovasti pois tuulettimen lapoihin kertynyt rasva. Tämä varmistaa riittävän ilmanvirtauksen syöttöjärjestelmään.

PELETTISÄILIÖN PUHDISTUSLUUKKU

Pellettisäiliössä on puhdistusluukku, joka mahdollistaa helpon puhtaanapidon ja pellettipolttoaineen tyyppin vaihtamisen. Tyhjennä säiliö seuraavasti:

- Etsi pellettisäiliön takana oleva puhdistusluukku ja sen koukku.
- Käännä luukun koukku (yläosassa) oikealle niin, että se pysyy erillään avaussalvasta. Sijoita puhdas ja tyhjä ämpäri puhdistusluukun alle ja anna luukun avautua alaspäin. Avaa pudotuskourun levy nostamalla avaussalpa, jolloin pellettisäiliö tyhjenee.
- Kun säiliön on tyhjentynyt, työnnä pudotuskourun levy takaisin paikalleen käsin. Se lukittuu paikalleen. Sulje puhdistusluukku ja kiinnitä se kääntämällä oven koukku takaisin avaussalpaan.

HUOMAUTUS: Käytä pitkävartista harjaa tai imuria ylimääräisten pellettien, sahanpurun ja roskien poistamiseen niin, että koko pellettisäiliön suoja on täysin puhdas.



3. MITTARIT

- Mittarien johdoissa olevat mutkat tai taitokset saattavat aiheuttaa vahinkoa. Lihalämpömittari, joka ei ole käytössä, tulee kiertää isolle, väljälle kierukalle.
- Vaikka sekä grillin mittari että lihalämpömittarit ovat ruostumatonta terästä, älä pese niitä astianpesukoneessa tai upota niitä veteen. Sisäisille johdoille aiheutunut vesivahinko voi aiheuttaa oikosulun anturissa ja johtaa virheellisiin lukemiin. Jos anturi on vahingoittunut, se tulee vaihtaa uuteen.

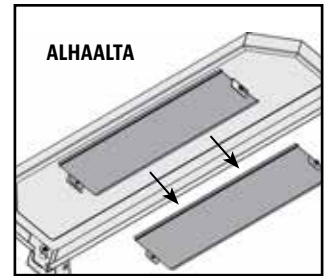
4. SISÄPINNAT

- On suositeltavaa, että puhdistat tulipesän aina muutaman käytön jälkeen. Näin varmistat kunnollisen sytytyksen ja vältät kovan roska-aineksen tai tuhkan kertymisen tulipesään.
- Käyttäen pitkäkahvaista grillin puhdistusharjaa, poista kaikki ruoka tai muu kertymä ruoanvalmistusritilöiltä. Paras tapa on tehdä tämä, kun ne ovat vielä lämpimiä edellisestä ruoanvalmistuksesta. Rasvapaloja aiheutuu, kun liikaa roska-ainesta putoaa grillin ruoanvalmistusosien päälle. Puhdista grillin sisäosa säännöllisesti. Rasvapalon sattuessa pidä kansi suljettuna niin, että palo tukahtuu. Jos palo ei sammu nopeasti, poista varovasti ruoka, sammuta grilli ja sulje kansi, kunnes palo on kokonaan sammunut. Ripottele kevyesti ruokasoodaa, jos sitä on saatavilla.
- Tarkista rasva-astia usein ja puhdista tarvittaessa. Huomioi, minkä tyyppistä ruokaa valmistat.

TÄRKEÄÄ: Älä peitä liekkiparilaa tai antureita alumiinifoliolla osien korkeasta lämpötilasta johtuen.

5. ULKOPINNAT

- Etuhyllyn alla on irrotettava paneeli puhdistamisen helpottamiseksi. Irrota se työntämällä levyä alhaalta käsin kohti grillin päärupua. Puhdista se ja liu'uta se sitten takaisin paikalleen.
- Pyyhi grilli jokaisen käytön jälkeen. Käytä lämmintä saippuavettä rasvan irrottamiseen. Älä käytä uuninpuhdistajaa, hankaavia puhdistusaineita tai hankaavia puhdistusyynyjä grillin ulkopinnoilla. **Takuu ei kata maalattuja pintoja, vaan ne kuuluvat yleisen huollon ja ylläpidon piiriin.** Jos maalissa on naarmuja, kulumaa tai lohkeilua, nämä voi korjata korkeita lämpötiloja kestäväällä grillimaalilla.
- Suojaa grillisi vielä paremmin käyttämällä grillinsuojusta! Suojus antaa parhaan suojan säätä ja ulkoilman saasteita vastaan. Kun laite ei ole käytössä tai kun sitä varastoidaan pitkiä aikoja, pidä se suojuksen alla autotallissa tai vajasassa.



PUHDISTUSVÄLIEN AIKATAULU (NORMAALIKÄYTTÖ)

OSA-ALUE	PUHDISTUSVÄLI	PUHDISTUSTAPA
Päägrillin pohja	5-6 grillauskerran välein	Kauho sisältö pois, imuroi ylimääräiset roskat
Tulipesä	2-3 grillauskerran välein	Kauho sisältö pois, imuroi ylimääräiset roskat
Ruoanvalmistusritilät	Jokaisen grillauskerran jälkeen	Polta ylimääräinen aines, käytä messinkiharjaa
Liekkiparila	5-6 grillauskerran välein	Raaputa päälevy säätimellä, älä pese puhtaaksi
Hyllyt	Jokaisen grillauskerran jälkeen	Hankaustyyny ja saippuavesi
Rasva-astia	Jokaisen grillauskerran jälkeen	Hankaustyyny ja saippuavesi
Kairasyöttöjärjestelmä	Kun pellettipussi on tyhjä	Anna kairan työntää sahanpurut ulos niin, että pellettisäiliö tyhjenee
Pellettisäiliön sähköiset osat	Kerran vuodessa	Pyyhi pölyt sisäosista, pyyhi tuulettimen lavat saippuavedellä
Ilman tuloventtiili	5-6 grillauskerran välein	Pyyhi pölyt, käytä hankaustyynyä ja saippuavettä
Grillin anturi	2-3 grillauskerran välein	Hankaustyyny ja saippuavesi

VINKKEJÄ JA TEKNIIKOITA

Voit oppia tuntemaan grillisi paremmin näiden hyödyllisten vinkkien ja tekniikoiden avulla, jotka on saatu Pit Boss® -laitteiden omistajilta, henkilökunnaltamme ja kaltaisiltasi asiakkailta:

1. ELINTARVIKETURVALLISUUS

- Pidä kaikki pinnat keittiössä ja ruuanvalmistusalueilla puhtaana. Käytä eri lautasia ja ottimia kypsälle lihalle ja raa'an lihan käsittelyyn ja kuljetukseen. Tämä estää bakteerien ristikontaminaation. Kullakin marinadilla tai valelukastikkeella tulee olla oma ottimensa.
- Pidä kuumat ruuat kuumina (yli 60°C) ja kylmät ruuat kylminä (alle 3°C).
- Marinadia ei pidä koskaan säilyttää myöhempää käyttöä varten. Jos aiot tarjoilla sitä lihan kanssa, varmista, että kiehautat sen ennen tarjoilua.
- Kypsennettyjä ruokia ei tule jättää ulos lämpimään yli tunnin ajaksi. Älä jätä ruokia ulos jääkaapista yli kahdeksi tunniksi.
- Sulata ja marinoi lihat jääkaapissa. Älä sulata lihaa huoneenlämmössä tai pöytätasolla. Bakteerit voivat kasvaa ja lisääntyä nopeasti lämpimissä, kosteissa elintarvikkeissa. Pese kädet huolellisesti kuumassa saippuavedessä ennen ruuanvalmistuksen aloittamista ja tuoreen lihan, kalan ja siipikarjan lihan käsittelyn jälkeen.

2. RUUANVALMISTUKSEN VALMISTELU

- Valmistaudu, eli **Mise en Place**. Tällä tarkoitetaan ruokareseptin, polttoaineen, lisätarvikkeiden, ottimien ja kaikkien grillauksessa tarvitsemiesi raaka-aineiden valmistelua ja keräämistä ennen ruuanvalmistuksen aloittamista. Lue myös koko resepti alusta loppuun ennen grillin sytyttämistä.
- Grillille tarkoitettu lattiamatto on hyödyllinen. Koska ruuanvalmistuksessa usein tapahtuu vahinkoja ja ruokaa voi roiskua, grillausmatto suojaa terassia, patiota tai kivitasa rasvatahroilta ja roiskeilta.

3. GRILLAUSVINKKEJÄ JA TEKNIIKOITA

- Jos haluat lisää savun makua lihaasi, paahda sitä pidempään ja alhaisemmassa lämpötilassa (tunnetaan myös **low and slow** -grillauksena). Liha sulkee syynsä, kun sen sisälämpötila saavuttaa 49°C. Sumuttaminen on hyvä tapa estää lihaa kuivumasta.
- Ruskistaessasi lihaa, pidä kansi suljettuna. Käytä aina lihalämpömittaria valmistamiesi ruokien sisälämpötilan mittaamiseen. Ruokien savustaminen lehtipuupelleteillä tekee lihasta ja siipikarjan lihasta vaaleanpunaista. Valmistuksen jälkeen lihassa näkyvää vaaleanpunaista rengasta kutsutaan **savurenkaaksi**, ja se on ulkokokkien korkealle arvostama.
- Sokeripohjaiset kastikkeet on parasta lisätä grillauksen loppuvaiheessa palamisen ja leimahdusten estämiseksi.
- Jätä avoin tila ruokien ja rummun reunojen välille niin, että lämpö kulkee vapaasti. Täydessä grillissä ruoka tarvitsee pidemmän valmistusajan.
- Käytä pitkävartisia atuloita lihan kääntämiseen ja lastaa burgereiden ja kalan kääntämiseen. Lävistävän välineen kuten haarukan käyttäminen tekee lihaan reiän ja päästää nesteet ulos lihasta.
- Syvässä padassa valmistuvat ruuat vaativat enemmän valmistusaikaa kuin matalassa paistoastiassa.
- On hyvä ajatus asettaa valmiit ruuat lämmitetylle lautaselle niin, että ne pysyvät lämpiminä. Punaisille lihoille, kuten pihveille ja paisteille, on eduksi, jos ne lepäävät useita minutteja ennen tarjoilua. Näin kuumuuden pintaan tuomat lihanesteet ehtivät vetäytyä takaisin lihan keskelle, mikä parantaa makua.

VIANETSINTÄ

Asianmukainen puhdistus ja ylläpito sekä puhtaan, kuivan ja laadukkaan polttoaineen käyttö estää yleiset toiminnalliset ongelmat. Jos Pit Boss® -grillisi ei toimi kunnolla tai jos sitä käytetään harvemmin, seuraavat vianetsintävihjeet voivat olla hyödyksi. Usein kysytyt kysymykset löydät osoitteesta www.pitboss-grills.com. Voit myös ottaa yhteyttä paikalliseen valtuutettuun Pit Boss® -jälleenmyyjäsi tai asiakaspalveluumme.

VAROITUS: Irrota aina sähköjohto ennen kuin avaat grillin tarkistusta, puhdistusta tai ylläpito- ja huoltotoimenpiteitä varten. Varmista, että grilli on täysin viilentynyt vammojen välttämiseksi.

ONGELMA	SYY	RATKAISU
Ohjauspaneelissa ei ole virtavalvoja	Ei liitettyä virtalähteeseen	Varmista, että laita on kytketty toimivaan virtalähteeseen. Nollaa suojakatkaisin. Varmista, että vikavirtasuojatussa katkaisimessa on vähintään 10 ampeeria (kohdassa Sähköjohtokaavio näet, mistä sähköosat löytyvät). Varmista, että kaikki johdot ovat kunnolla liitettyinä ja kuivia.
	Sulake palanut ohjauspaneelissa	Poista pellettisäiliön käyttöpaneeli (ks. Sähköjohtokaavio), paina ohjauspaneelia paikallaan pitävät muovikielekkeet paikalleen ja vapauta pellettisäiliön sisällä oleva säädin vetämällä sitä varovasti. Tarkista, onko sulakkeen johto rikkoutunut tai mustunut. Jos näin on tapahtunut, sulake pitää vaihtaa manuaalisesti.
	Viallinen ohjauspaneeli	Ohjauspaneeli on vaihdettava. Ota yhteyttä asiakaspalveluun vaihto-osan saamiseksi.
Tuli ei syty paloastiassa	Kairaa ei ole valmisteltu	Ennen laitteen ensimmäistä käyttöä <u>tai</u> aina, kun pellettisäiliö on tyhjentynyt täysin, kaira on valmisteltava niin, että pelletit pääsevät täyttämään kairaputken. Jos valmistelua ei suoriteta, sytytin aikakatkaistaan ennen, kuin pelletit saavuttavat paloastian. Noudata Pellettisäiliön alkusytytysmenetelmän vaiheita.
	Kairan moottori on juuttunut kiinni	Poista ruuanvalmistusosat päärummista. Paina virtapainiketta käynnistääksesi laitteen ja tarkista kairasyöttöjärjestelmä. Tarkista silmämääräisesti, että kaira pudottaa pellettejä paloastiaan. Jos se ei toimi kunnolla, pyydä neuvoja tai vaihto-osia asiakaspalvelustamme.
	Sytyttimen vikatilanne	Poista ruuanvalmistusosat päärummista. Paina virtapainiketta käynnistääksesi laitteen ja tarkista sytytin. Tarkista, että sytytin toimii viemällä kätesi paloastian yläpuolelle ja kokeilemalla, tuleeko sieltä lämpöä. Tarkista silmämääräisesti, että sytytin työntyy esiin paloastiasta n. 13 mm. Jos se ei toimi kunnolla, pyydä neuvoja tai vaihto-osia asiakaspalvelustamme.
Todellisen lämpötilan lukema ei muutu	Grillin sensori on likainen	Noudata huolto- ja ylläpito-ohjeita.
	Grillin sensori on rikki	Grillin sensori on vaihdettava. Ota yhteyttä asiakaspalveluun.
Grilli ei saavuta tai säilytä tasaista lämpötilaa	Riittämätön ilmanvirtaus paloastian läpi	Tarkista, onko paloastiaan kertynyttä tuhkaa tai esteitä. Noudata huolto- ja ylläpito-ohjeita , jos laitteessa on tuhkakertymiä. Tarkista tuuletin. Varmista, että se toimii oikein eikä ilman tulo ole estynyt. Noudata huolto- ja ylläpito-ohjeita , jos se on likainen. Tarkista kairamoottori varmistaaksesi, että se toimii ja ettei kairaputkessa ole tukosta. Kun kaikki yllä mainitut vaiheet on suoritettu, käynnistä grilli, aseta lämpötila SMOKE-asentoon ja odota 10 minuuttia. Tarkista, että tuotettu liekki on kirkas ja elävä.
	Polttoaineen puute, huono polttoaineen laatu, tukos syöttöjärjestelmässä	Tarkista, onko pellettisäiliössä riittävästi polttoainetta, lisää tarvittaessa. Jos puupellettien laatu on huono tai jos pelletit ovat liian pitkiä, tämä saattaa aiheuttaa tukoksen syöttöjärjestelmään. Poista pelletit ja noudata huolto- ja ylläpito-ohjeita .
	Grillin anturi	Tarkista grillin anturin tila. Noudata huolto- ja ylläpito-ohjeita , jos osa on likainen. Ota yhteyttä asiakaspalveluun vaihto-osan saamiseksi, jos se on vahingoittunut.
Grilli tuottaa liikaa tai liikaista savua	Rasvakertymiä	Noudata huolto- ja ylläpito-ohjeita .
	Puupellettien laatu	Poista kosteat puupelletit pellettisäiliöstä. Puhdista huolto- ja ylläpito-ohjeiden mukaisesti. Korvaa kuivilla puupelleteillä.
	Paloastia on tukkeutunut	Poista kosteat puupelletit paloastiasta. Noudata pellettisäiliön alkusytytysmenetelmän vaiheita .
	Tuulettimen riittämätön ilmansaanti	Tarkista tuuletin. Varmista, että se toimii oikein eikä ilman tulo ole estynyt. Noudata huolto- ja ylläpito-ohjeita , jos osa on likainen.

Usein tapahtuvat leimahdukset	Ruuanvalmistuslämpötila	Kokeile ruuan valmistusta alhaisemmalla lämpötilalla. Rasvalla ei ole räjähtämispistettä. Pidä lämpötila alle 176 °C:een valmistaessasi erittäin rasvaista ruokaa.
	Rasvakertymät ruoanvalmistusosissa	Noudata huolto- ja ylläpito-ohjeita .
ErP-virhekoodi	Laitetta ei suljettu oikein, kun se oli viimeksi kytkettyä sähköverkkoon	Suojausominaisuus estää automaattisen uudelleenkäynnistyksen. Sulje laite pitämällä virtapainiketta painettuna kolmen sekunnin ajan, odota kaksi minuuttia ja käynnistä kone uudelleen painamalla virtapainiketta. Käännä haluttuun lämpötilaan. Jos virhekoodi jatkuu, ota yhteyttä asiakaspalveluun.
	Sähkökatkos laitteen ollessa toiminnassa	
ErH-virhekoodi	Laite on ylikuumentunut, mahdollisesti rasvapalosta tai liiasta polttoaineesta johtuen	Sammuta laite painamalla virtapainiketta ja pitämällä sitä painettuna kolmen sekunnin ajan ja anna grillin jäähtyä. Noudata huolto- ja huolto-ohjeita. Huollon jälkeen poista pelletit ja varmista, että kaikki osat ovat paikoillaan. Kun laite on jäähtynyt, kytke se päälle painamalla virtapainiketta ja valitse haluamasi lämpötila. Jos virhekoodi jatkuu, ota yhteyttä asiakaspalveluun.
ErL-virhekoodi	Grilli ei suorita käynnistysprosessia	Tarkista, että ruoanlaitto-osat ovat oikeassa asennossa. Tarkista, että pellettisäiliössä on riittävästi polttoainetta ja ettei syöttöjärjestelmässä ole tukosta. Poista pelletit ja noudata huolto- ja ylläpito-ohjeita . Tarkista grillin anturi. Varmista, että todellinen lämpötila näytetään oikein ja tarkasti. Noudata huolto- ja ylläpito-ohjeita , jos osa on likainen. Tarkista sytyttimen asento ja että se kuumenee kunnolla. Todella kylmällä säällä grilli saatetaan joutua käynnistämään kahdesti. Sammuta grilli ja käynnistä se uudelleen. Tarkista tuuletin. Tarkista, että se toimii kunnolla. Noudata huolto- ja ylläpito-ohjeita , jos se on likainen.
	Grilli ei pysy toiminnassa	
PELLET-virhekoodi vilkkuu	Polttoaineen puute, huonolaatuinen polttoaine, tukos syöttöjärjestelmässä, kaira jumissa	Tarkista, onko pellettisäiliössä riittävästi polttoainetta, lisää tarvittaessa. Jos puupellettien laatu on huono tai jos pelletit ovat liian pitkiä, tämä saattaa aiheuttaa tukoksen syöttöjärjestelmään. Poista pelletit ja noudata huolto- ja ylläpito-ohjeita .
IGNITOR-virhekoodi vilkkuu	Sytytin ei toimi kunnolla, ei muodosta yhteyttä	Poista ruuanvalmistusosat päärummista. Paina virtapainiketta käynnistääksesi laitteen ja tarkista sytytin. Tarkista, että sytytin toimii viemällä kätesi arinan yläpuolelle ja kokeilemalla, tuleeko sieltä lämpöä. Vahvista silmämääräisesti, että sytytin on linjassa arinan reiän kanssa, ja että se on avoin pellettien sytyttämiseksi. Jos se ei toimi kunnolla, pyydä neuvoja tai vaihto-osia asiakaspalvelustamme.
	Sytyttimen vikatilanne	Sytytin on vaihdettava. Ota yhteyttä asiakaspalveluun vaihto-osan saamiseksi.
AUGER -virhekoodi vilkkuu	Kairaa ei ole valmisteltu	Ennen laitteen ensimmäistä käyttöä tai aina, kun pellettisäiliö on tyhjentynyt täysin, kaira on valmisteltava niin, että pelletit pääsevät täyttämään paloastian. Jos valmistelua ei suoriteta, sytytin aikakatkaistaan, ennen kuin pelletit sytyvät. Noudata pellettisäiliön alkusytytysmenetelmän vaiheita.
	Kairan moottori on jumissa, eikä se saa muodostettua yhteyttä	Poista ruuanvalmistusosat päärummista. Paina virtapainiketta käynnistääksesi laitteen ja tarkista kairasyöttöjärjestelmä. Tarkista silmämääräisesti, että kaira pudottaa pellettejä paloastiaan. Jos se ei toimi kunnolla, pyydä neuvoja tai vaihto-osia asiakaspalvelustamme.
FAN-virhekoodi vilkkuu	Tuuletin ei toimi kunnolla, ei muodosta yhteyttä	Tarkista tuuletin. Varmista, että se toimii oikein eikä ilman tulo ole estynyt. Poista pellettisäiliön käyttöpaneeli (ks. kaavio kohdassa Sähköjohtokaavio) ja tarkista, ovatko tuulettimen johdot vahingoittuneet. Noudata huolto- ja ylläpito-ohjeita , jos tuulettimen lavat ovat likaiset.

SÄHKÖJOHTOKAAVIO

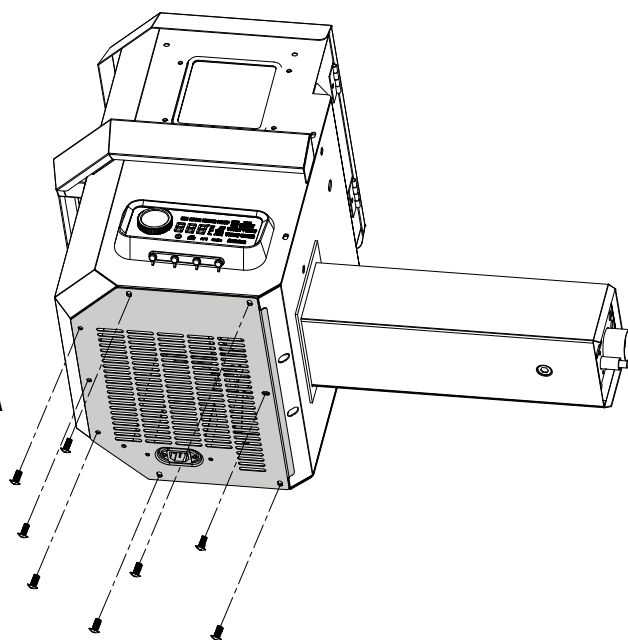
Digitaalinen ohjauspaneelijärjestelmä on herkkää ja arvokasta teknologiaa. Suojautuaksesi virtapiikkien ja sähkökatkosten vaikutuksilta, tutki alla olevaa johtokaaviota ja varmista, että virtalähteesi on riittävä tämän laitteen toimintaa varten.

PB – SÄHKÖISET VAATIMUKSET

220–240 V, 50 Hz, 275 W, MAADOITETTU PISTOKE

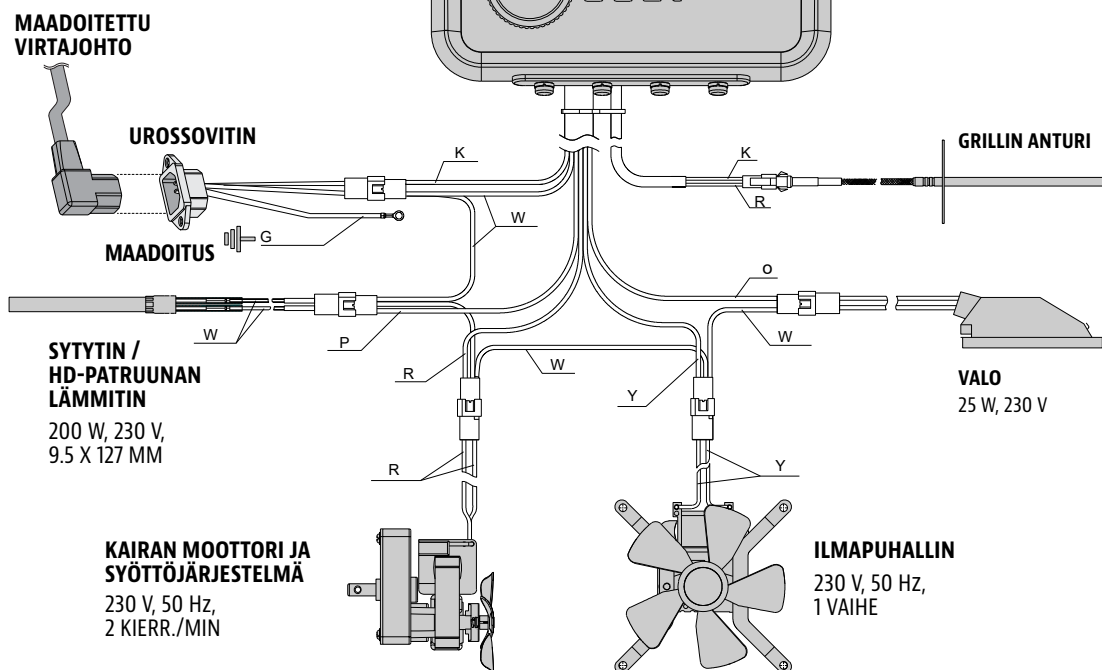
HUOMAUTUS: Sähköiset osat on hyväksytysti testattu tuoteturvallisuuden osalta, ne ovat sertifioituja ja testautoleranssin ±5–10 prosenttia mukaisia.

PAIKANNA JA POISTA
KAHDEKSAN RUUVIA
KÄYTTÖPANEELISSA
YKSIKÖN ALAPUOLELLA



**POLTOAINEEN
SYÖTTÖLUOKI-
TUS: 2,0 KG/T**

OHJAUSPANEELI

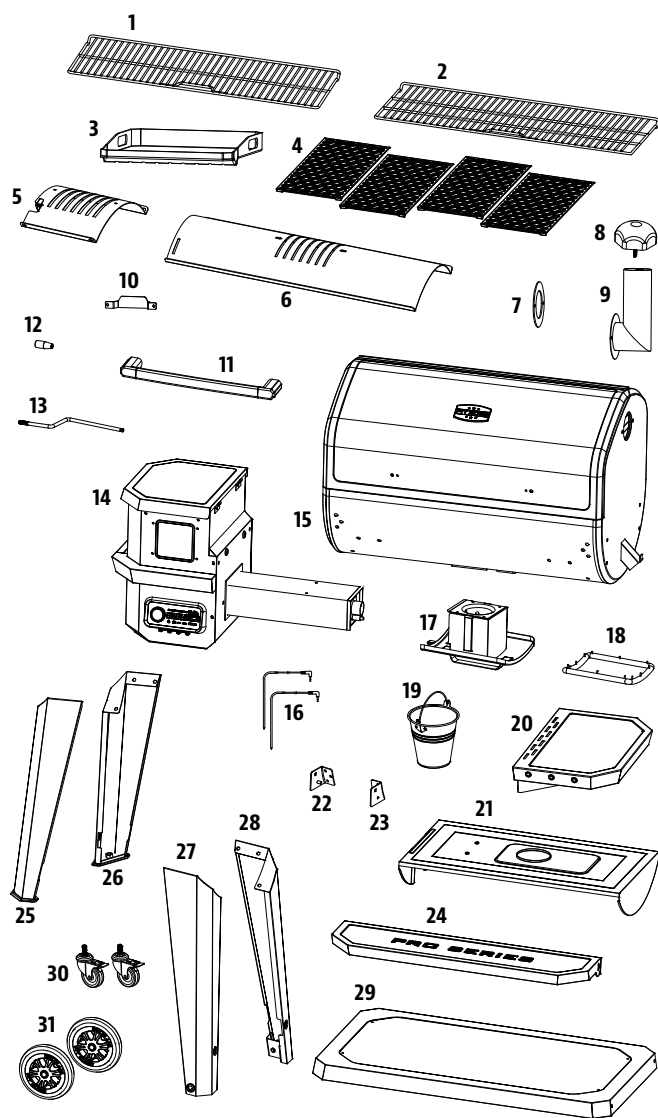


OPAS

K : MUSTA
W : VALKOINEN
R : PUNAINEN
Y : KELTAINEN
P : VIOLETTI
O : ORANSSI
G : VIHREÄ

GRILLIN VAIHTO-OSAT

Osanro	Kuvaus
1	Ylempi ruuanvalmistusteline (x1)
2	Keskimmäinen ruuanvalmistusteline (x1)
3	Parila (x1)
4	Ruoanvalmistusrillät (x4)
5	Liekkiparilan säädin (x1)
6	Liekkiparilan päälevy (x1)
7	Savupiipun tiiviste (x1)
8	Savupiipun kansi (x1)
9	Savupiipun runko (x1)
10	Ritiläkoukku (x1)
11	Kannen kahva (x1)
12	Liekkiparilan säätöpalkin kahva (x1)
13	Liekkiparilan säätöpalkki (x1)
14	Pellettisäiliökokoonpano (x1)
15	Päärumpu (x1)
16	Lihalämpömittari (x2)
17	Tuhkakotelo (x1)
18	Tuhkakotelon tiiviste (x1)
19	Rasva-astia (x1)
20	Sivuhylly (x1)
21	Diffuusori levy (x1)
22	Etuhyllyn vasen pidike (x1)
23	Etuhyllyn oikea pidike (x1)
24	Etuhylly (x1)
25	Vasen etutukijalka (x1)
26	Vasen takatukijalka (x1)
27	Oikea etutukijalka (x1)
28	Oikea takatukijalka (x1)
29	Alahylly (x1)
30	Lukittavat kääntöpyörät (x2)
31	Pyörä (x2)
A	Ruuvi (x28)
B	Aluslevy (x24)
C	Lukkolevy (x22)
D	Työkalukoukku (x3)
E	Pyörän sokkanaula (x2)
F	Pyörän aluslevy (x2)
G	Pyörän akselitappi (x2)
H	Ruuvi (x2)
I	Mutteri (x2)
J	Holkki (x2)

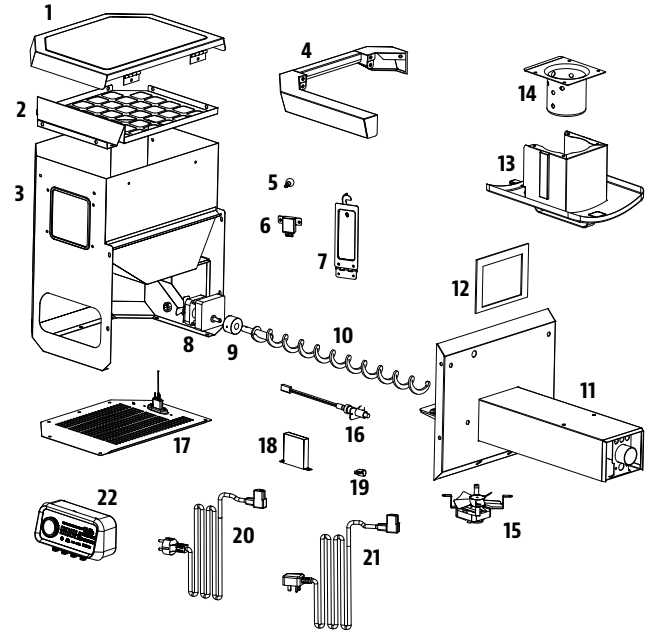


HUOMAUTUS: Jatkuvasta tuotekehityksestä johtuen osat voivat muuttua ilman etukäteisvaroitusta.

FI
SUOMI

PELETTISÄILIÖN VAIHTO-OSAT

Osanro	Kuvaus
1	Pellettisäiliön kansi (x1)
2	Pellettisäiliön turvasuoja (x1)
3	Pellettisäiliön kotelo (x1)
4	Pellettisäiliön kahva (x1)
5	Pudotuskourun luukun kahva (x1)
6	Pudotuskourukokoonpano (x1)
7	Pudotuskourun luukku (x1)
8	Kairan moottori (x1)
9	Nailonholkki (x1)
10	Kairan kierre (x1)
11	Kairan kotelo (x1)
12	Pellettisäiliön tiiviste (x1)
13	Tuhkakotelo (x1)
14	Tulipesä (x1)
15	Palotuuletin (x1)
16	Sytytin (x1)
17	Pellettisäiliön käyttöpaneeli (x1)
18	Virtajohdon vedenpitävä kansi (x1)
19	Virtajohdon pidike (x1)
20	Virtajohto – F-pistoke (x1)
21	Virtajohto – G-pistoke (x1)
22	Ohjauspaneeli (x1)



TAKUU

EHDOT

Kaikilla Dansonsin valmistamilla Pit Boss® -puupellettigrilleilla on rajoitettu takuu alkuperäisen omistajan ostopäivästä alkaen. Takuu alkaa alkuperäisenä ostopäivänä, ja takuun todentamista varten tarvitaan todiste ostopäivästä tai kopio alkuperäisestä ostokuitista. Asiakkaalta veloitetaan maksu osista, kuljetuksista ja käsittelystä, jos hän ei pysty toimittamaan todistusta ostosta tai jos takuu on umpeutunut. Dansons myöntää viiden (5) vuoden takuun kaikkien osien vikojen ja työn laadun osalta sekä viiden (5) vuoden takuun sähköisille osille. Dansons takaa, että kaikki osat ovat materiaali- ja valmistusvirheettömiä alkuperäisen ostajan käyttö- ja omistusaikana. Takuu ei kata normaalista käytöstä aiheutuvia vahinkoja, kuten naarmuja, kolhuja, lommoja, lohkeamia tai vähäisiä kosmeettisia säröjä. Tällaiset grillin esteettiset muutokset eivät vaikuta sen toimintaan. Mitään osaa ei korjata tai vaihdeta viiden (5) vuoden rajoitetun takuun jälkeen ostopäivästä lukien.

Takuuajana Dansonsin vastuu rajoittuu korvaavan osan tarjoamiseen viallisten tai vioittuneiden osien tilalle. Takuukauden aikana Dansons ei veloita palautettujen osien korjauksesta tai vaihdosta tai esimaksetusta kuljetuksesta, jos Dansons tutkimuksensa perusteella toteaa, että osat ovat viallisia. Dansons ei ole vastuussa kuljetusmaksuista, työkuulumuksista tai vientiveroista. Lukuun ottamatta mitä näissä takuehdoissa on määrätty, osien korjaaminen tai korvaaminen uudella tässä mainitulla tavalla ja tässä mainitun ajanjakson aikana katsotaan Dansonsin suorien ja välillisten vastuiden ja veloitteiden täyttämiseksi sinua kohtaan.

Dansons pyrkii kaikin keinoin käyttämään ruostetta ehkäiseviä materiaaleja. Näistäkin turvatoimista huolimatta suojaavat pinnoitteet voivat pettää johtuen erilaisista aineista ja olosuhteista, jotka eivät ole Dansonsin hallinnassa. Korkeat lämpötilat, liiallinen kosteus, kloori, teolliset kaasut, lannoitteet, nurmikon tuholaismyrkyt ja suola ovat esimerkkejä aineista, jotka voivat vaikuttaa metallipinnoitteisiin. Näistä syistä takuu ei kata ruostetta tai hapettumista ellei grillin osan rakenteellista vikaa. Jos jokin yllä olevista tapahtuu, pyydämme ystävällisesti tutustumaan huolto- ja ylläpitotoimia koskevaan osioon yksikön käyttöön pidentämiseksi. Dansons suosittelee grillisuojausten käyttöä, kun grilli ei ole käytössä. Tämä takuu perustuu normaaliin kotikäyttöön ja huoltoon, eikä kumpikaan rajoitettu takuu ole voimassa, jos grilli on kaupallisessa käytössä.

POIKKEUKSET

Pit Boss® -grilleilla ei ole kirjallista tai implisiittistä toiminnallisuustakuuta, koska valmistajalla ei ole mahdollisuutta vaikuttaa asennukseen, käyttöön, puhdistukseen, huoltoon tai käytettyyn polttoaineeseen. Tämä takuu ei ole voimassa eikä Dansons ole vastuussa, jos laitetta ei ole asennettu, käytetty, puhdistettu ja huollettu tarkasti tämän omistajan käsikirjan mukaisesti. Sellaisen kaasun käyttö, jota ei ole kuvattu tässä ohjekirjassa, saattaa mitätöidä takuun. Takuu ei kata vahinkoa tai rikkoutumista, joka johtuu väärinkäytöstä, varomattomasta käsittelystä tai muokkauksista. Dansons tai valtuutettu Pit Boss® -jälleenmyyjä eivät hyväksy juridista tai muuta vastuuta tämän tuotteen käytöstä aiheutuvista satunnaisista tai välillisistä vahingoista omaisuudelle tai henkilöille. Riippumatta siitä, perustuuko vaatimus Dansonsia vastaan tämän takuun tai muun ilmaistun tai lain edellyttämän takuun rikkomukseen, valmistajan vastuu kaikista erityisistä, epäsuorista, välillisistä tai muista minkä tahansa laatuista vahingoista rajoittuu korkeintaan tämän tuotteen alkuperäiseen ostohintaan. Kaikki valmistajan takuut on ilmaistu tässä asiakirjassa, eikä valmistajaa vastaan voi esittää takuita tai vakuutuksia koskevia vaatimuksia. Jotkin valtiot eivät salli satunnaisten tai välillisten vahinkojen poissulkemista tai rajoittamista tai epäsuorien takuiden rajoittamista, joten tässä rajoitetussa takuussa esitetyt rajoitukset tai poissulkemiset eivät välttämättä koske sinua. Tämä rajoitettu takuu antaa sinulle määrättyjä juridisia oikeuksia. Sinulla saattaa olla myös muita oikeuksia, jotka vaihtelevat valtiosta toiseen.

VAIHTO-OSIEN TILAAMINEN

Jos haluat tilata vaihto-osia, ota yhteyttä paikalliseen Pit Boss® -jälleenmyyjään tai vieraile verkkokaupassamme osoitteessa www.pitboss-grills.com

OTA YHTEYTTÄ ASIAKASPALVELUUN

Jos sinulla on kysyttävää tai ongelmia, ota yhteyttä asiakaspalveluun osoitteessa www.pitboss-grills.com

TAKUUPALVELU

Jos tarvitset korjausta tai vaihto-osia, ota yhteyttä lähimpään Pit Boss® -jälleenmyyjään. Dansons tarvitsee takuuseen perustuvan vaatimuksen käsittelyä varten ostotositteen. Säilytä siksi alkuperäinen myyntitosite tai lasku tulevaa käyttöä varten. Pit Boss® -laitteesi sarja- ja mallinumero löytyvät pellettisäiliön kannen sisäpuolelta. Kirjaa numerot alle, koska merkintä saattaa kuluja tai muuttua lukuelvottomaksi.

MALLI

SARJANUMERO

OSTOPÄIVÄMÄÄRÄ

VALTUUTETTU JÄLLEENMYYJÄ

SIKKERHETSINFORMASJON

EN VESENTLIG ÅRSÅK TIL BRANNER ER AT DE OPPSTÅR SOM ET RESULTAT AV DÅRLIG VEDLIKEHOLD OG MANGLENDE OPPRETTHOLDELSE AV PÅKREVDE KLARINGSAVSTANDER (LUFTROM) TIL BRENNBARE MATERIALER. DET ER SVÆRT VIKTIG AT DETTE PRODUKTET BARE INSTALLERES I SAMSVAR MED DISSE INSTRUKSJONENE.

Les og forstå hele håndboken før du prøver å sette sammen, bruke eller montere produktet. Dette sikrer at du opplever problemfri og enkel bruk av den nye grillen med trepellets. Vi anbefaler også at du beholder denne håndboken for fremtidig referanse.

FARER OG ADVARSLER

Du må kontakte det lokale boligbyggelaget, bygnings- eller brannmyndigheter eller andre aktuelle myndigheter for å innhente de nødvendige tillatelsene eller informasjon om eventuelle monteringsrestriksjoner, for eksempel en grill som monteres på en brennbar overflate, inspeksjonskrav eller til og med muligheten til å bruke apparatet der du bor.

1. Du må opprettholde en minimumsavstand på 914 mm (36 tommer) fra sidene på grillen til brennbare konstruksjoner, og 914 mm (36 tommer) fra baksiden av grillen til brennbare konstruksjoner. **Ikke monter på brennbare gulv eller gulv som er beskyttet med brennbare overflater, med mindre riktige tillatelser er innhentet fra de aktuelle myndighetene.** Ikke bruk dette apparatet innendørs eller i et lukket område uten ventilasjon, inne i hus, biler, telt eller garasjer. Dette apparatet med trepellets må ikke plasseres under brennbare tak eller overheng. Hold grillen på et område som er åpent og uten brennbare materialer, bensin og andre brennbare damper og væsker.

Hvis fett tar fyr, må du slå grillen AV og la lokket være på til flammene har sluknet. Koble fra strømledningen. Ikke hell vann på enheten. Ikke prøv å kvele brannen. Et generelt godkjent brannslukningsapparat (klasse ABC) er nyttig og bør oppbevares på bruksstedet. Ring brannvesenet hvis en ukontrollert brann oppstår.

2. Hold elektriske strømledninger og drivstoff unna varme overflater. Ikke bruk grillen i regnvær eller i nærheten av andre vannkilder. Hvis strømledningen er skadet, må den skiftes ut av produsenten, serviceagenten eller lignende kvalifiserte personell for å unngå fare.
3. Når apparatet ikke har vært i bruk på en stund, må du kontrollere om det er obstruksjoner i brennkammeret, fremmedlegemer i beholderen eller luftblokkeringer rundt vifteinntaket eller i pipen. Rengjør før bruk. Jevnlig stell og vedlikehold er nødvendig for å forlenge enhetens levetid. **Hvis grillen oppbevares utendørs i regn eller høy fuktighet, må du sørge for at det ikke kommer vann inn i grillbeholderen.** Når trepellets blir våte eller eksponeres for høy fuktighet, utvides de voldsomt, brytes ned og kan sette seg fast i matesystemet. Koble alltid fra strømmen før du utfører service eller vedlikehold.

Ikke flytt på grillen mens den er i bruk eller er varm. Sørg for at ilden har sluknet helt og at grillen er helt kjølig når du berører den, før du flytter den.

4. Det anbefales å bruke varmeresistente grillvotter eller hansker ved bruk av grillen. Ikke bruk tilbehør som ikke er angitt for bruk med dette apparatet. Ikke plasser et grilltrekk eller noe annet brennbart i oppbevaringsområdet under grillen.

- Apparatet er utstyrt med en sikkerhetsskjerm i metall, festet på innsiden av grillbeholderen, for å forhindre at fingre, klær eller andre objekter kommer i kontakt med matesystemet. Denne skjermen må ikke fjernes, med mindre kundeservice eller en autorisert forhandler ber om det.

Dette apparatet kan brukes av barn i alderen 8 år og oppover samt av personer med nedsatte fysiske, sansemessige eller mentale evner eller manglende erfaring og kunnskap – hvis de holdes under oppsyn eller har fått instruksjoner for bruk av apparatet på en sikker måte og forstår de involverte farene. Barn må ikke leke med apparatet. Rengjøring og brukervedlikehold må ikke utføres av barn uten tilsyn.

- Deler av grillen kan bli svært varme og kan føre til alvorlige skader. Hold små barn og kjæledyr unna mens grillen er i bruk.
- Ikke forstørr tennerhull eller brennkammer. Hvis ikke denne advarselen følges, kan det føre til brann og kroppsskade, i tillegg til at garantien blir ugyldig.
- Produktet kan ha skarpe kanter eller spisser. Kontakt med disse kan føre til skade. Håndteres forsiktig.

AVHENDING AV ASKE

Aske må legges i en metallbeholder med tett lokk. Den lukkede askebeholderen må plasseres på et ikke-brennbart gulv eller på bakken, langt unna alle brennbare materialer, før endelig avhending. Når aske avhendes ved å begraves i jord, eller spres lokalt på andre måter, må den holdes i en lukket beholder til alt slag er helt kaldt.

TREPELLETBRENSSEL

Dette matlagingsapparatet med pellets er utformet og godkjent for bruk bare med helt naturlige pellets. Alle andre typer brensel som brennes i dette apparatet, gjør garantien og sikkerhetsoppføringen ugyldig. Du må bare bruke helt naturlige trepellets som er laget for brenning i pelletsgrill. Ikke bruk brensel med tilsetningsstoffer. Trepellets er svært utsatt for fuktighet og må alltid oppbevares i en lufttett beholder. Hvis du oppbevarer grillen uten å bruke den over tid, anbefaler vi at du tar ut alle pellets fra grillbeholderen og mateskruen for å forhindre at de setter seg fast. Pelletbrenselets gjennomsnittlige oppvarmingsverdi i 8000-8770 BTU/LB, askeinnhold <1 %.

Ikke bruk sprit, bensin, lighertvæske eller parafin til å tenne eller få fart på ilden i grillen. Hold alle slike væsker godt unna apparatet når det er i bruk.

På trykkesidspunktet finnes det ingen bransjestandard for trepellets for grill, men de fleste pelletsfabrikker bruker de samme standardene til å produsere trepellets for hjemmebruk. Du kan finne ytterligere informasjon på www.pelletheat.org eller hos **Pellet Fuel Institute**.

Kontakt den lokale forhandleren for informasjon om pellets- og merke kvalitet der du bor. Ettersom det ikke finnes noen kontroll av kvaliteten på pellets som brukes, fuktig pellets, tar vi ikke ansvar for skader som skyldes brensel av dårlig kvalitet.

KREOSOT

Kreosot, eller sot, er et tjærelignende stoff. Når det brennes, produserer det svart røyk med rester som også er svarte. Sot eller kreosot dannes når apparatet brukes på feil måte, for eksempel med en blokkering i forbrenningsviften, mangel på rengjøring og vedlikehold av brenneområdet eller dårlig forbrenning fra luft til brensel.

Det er farlig å bruke dette apparatet hvis flammen blir mørk eller sotete, eller hvis brennkammeret inneholder for mange pellets. Når kreosoten antennes, fører det til en svært varm og ukontrollert brann som minner om fettbrann. Hvis dette skjer, må du slå enheten AV, la den bli helt kjølig og deretter undersøke den for vedlikehold og rengjøring. Det samler seg vanligvis langs utgangsområdene.

Hvis det har dannet seg kreosot i enheten, må du varme opp enheten på lav temperatur, slå apparatet AV og deretter tørke bort alle sotene med et håndkle. Akkurat som tjære er det mye enklere å fjerne det når det er varmt, ettersom det da blir flytende.

KARBONMONOKSID («DEN STILLE MORDEREN»)

Karbonmonoksid er en fargeløs, luktfri og smakløs gass som produseres gjennom brenning av gass, tre, propan, kull eller andre brensel. Karbonmonoksid reduserer blodets evne til å transportere oksygen. Lave blodoksygennivåer kan føre til hodepine, svimmelhet, svakhet, kvalme, oppkast, søvnighet, forvirring, bevisstløshet eller dødsfall. Følg disse retningslinjene for å forhindre at denne fargeløse og luktfrie gassen forgifter deg, familien eller andre:

- Kontakt lege hvis du eller andre utvikler forkjølelse eller influensalignende symptomer under matlaging eller i nærheten av apparatet. Karbonmonoksidforgiftning, som enkelt kan feiltolkes som forkjølelse eller influensa, oppdages ofte for sent.
- Inntak av alkohol eller narkotiske stoffer øker effekten av karbonmonoksidforgiftning.

Karbonmonoksid er spesielt giftig for mor og barn under graviditet, spedbarn, eldre, røykere og personer med blod- eller sirkulasjonsproblemer, for eksempel anemi eller hjertesykdommer.

SIKKERHETSOPPFØRING

Oppfyller EN 60335-2-102:2016, EN 60335-1:2012 + A11:2014 + A13:2017 + A1: 2019 + A14: 2019 + A2: 2019, EN62233: 2008, EN 55014-1:2017, EN IEC 61000-3-2:2019, EN 61000-3-3:2013+A1:2019, EN 55014-2:2015.



ERKLÆRING OM FCC-SAMSVAR

Denne enheten er i samsvar med del 15 i FCC-reglene. Drift er underlagt følgende to betingelser: (1) Denne enheten kan ikke forårsake skadelig forstyrrelse, og (2) denne enheten må akseptere mottatt interferens, inkludert forstyrrelser som kan forårsake uønsket drift.



Dette utstyret er testet og overholder grensene for en digital klasse B-enhet i henhold til del 15 i FCC-reglene. Disse grensene er utformet for å gi en rimelig beskyttelse mot skadelig interferens i en boliginstallasjon. Dette utstyret genererer, bruker og kan utstråle radiofrekvensenergi, og hvis det ikke monteres og brukes i samsvar med instruksjonene, kan det forårsake skadelig interferens i radiokommunikasjon. Det er imidlertid ingen garanti for at forstyrrelser ikke vil forekomme i en bestemt installasjon. Hvis dette utstyret forårsaker skadelig interferens i radio- eller TV-mottak, noe som kan fastslås ved å slå utstyret av og på, oppfordres brukeren til å prøve å korrigere forstyrrelsen ved hjelp av ett eller flere av følgende tiltak:

- Drei eller flytt på mottakerantennen.
- Øk avstanden mellom utstyret og mottakeren.
- Koble utstyret til en stikkontakt på en annen kurs enn den mottakeren er koblet til.
- Kontakt forhandleren eller en erfaren radio-/TV-tekniker for å få hjelp.

Forsiktig: Brukeren advares herved om at endringer eller modifikasjoner som ikke er uttrykkelig godkjent av parten som er ansvarlig for overholdelse, kan ugyldiggjøre brukerens rett til å bruke utstyret.

Bluetooth®-ordmerket og -logoen er registrerte varemerker som eies av Bluetooth® SIG, Inc. og all bruk av slike merker av Espressif er i henhold til lisens. Andre varemerker tilhører sine respektive eiere.



MERKNAD OM OPPHAVSRETT

Copyright 2021. Med enerett. Ingen deler av denne håndboken kan kopieres, overføres, transkriberes eller oppbevares i et hentesystem i noen som helst form eller på noen måte uten uttrykkelig skriftlig tillatelse fra

DANSONS EUROPE

11 Rue Galvani Paris, Frankrike 75017

DANSONS NORD-AMERIKA

3411 North 5th Avenue, Suite 500, Phoenix, AZ, USA 85013

KUNDESERVICE

www.pitboss-grills.com

INNHALDSFORTEGNELSE

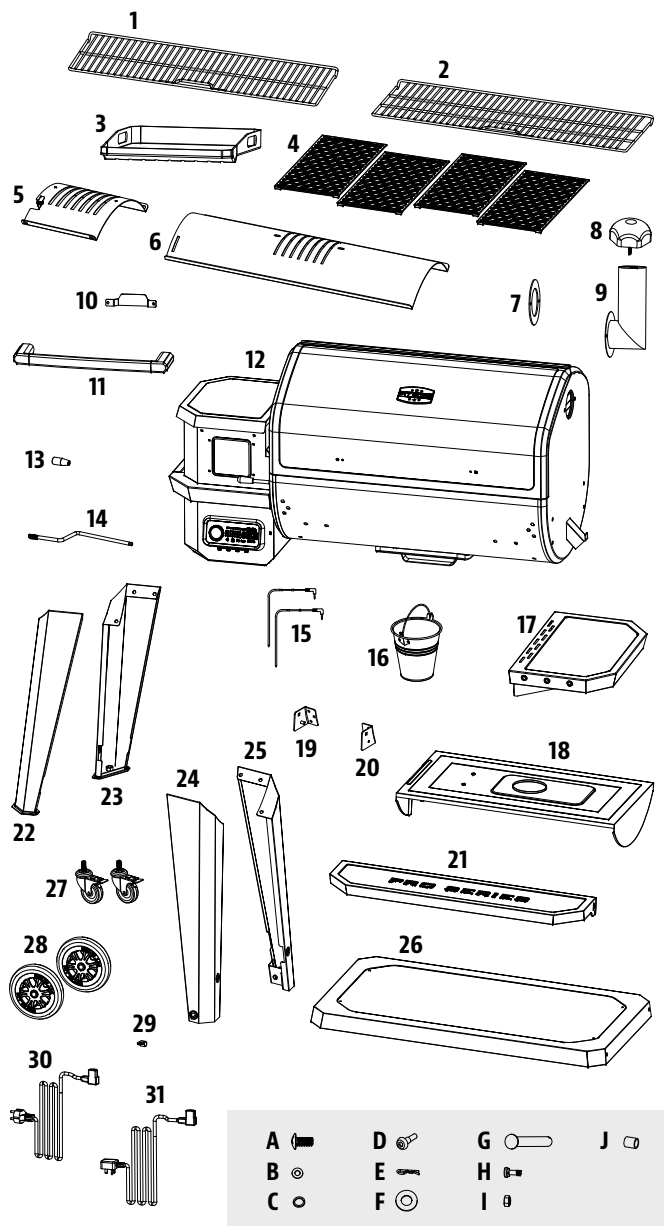
Sikkerhetsinformasjon	198
Deler og spesifikasjoner	202
Klargjøring for montering.....	203
Monteringsinstruksjoner	
Montere beina på hovedsylinderen.....	203
Montere bunnhyllen	204
Montere hjul på vognen	204
Montere lokkhåndtaket.....	204
Montere sidehyllen.....	205
Montere sidehyllen.....	205
Sikring av pipen.....	205
Feste braketter for fronthyllen.....	206
Montere fronthyllen.....	206
Plassere spreddeplaten.....	206
Montere komponentene for flammegrillen.....	207
Montere tilberedningskomponentene	208
Montere opphengsbraketten.....	208
Plassere fettpannen.....	208
Montere strømledningen	209
Koble til en strømkilde.....	209
Instruksjoner for bruk	
Grillomgivelser.....	210
Temperaturområder for grill.....	211
Forstå kontrollpanelet	212
Kontrollpanelfunksjoner.....	213
Koble til Smoke iT®-appen.....	215
Prosedyre for klargjøring av beholder	216
Førstegangs bruk – avbrenning av grillen	216
Prosedyre for automatisk oppstart	216
Slå grillen av	216
Stell og vedlikehold	217
Tips og teknikker.....	219
Feilsøking	220
Diagram over elektriske ledninger	222
Reservedeler	
Reservedeler for grill	223
Reservedeler for beholder	224
Garanti.....	225

NO

NORSK

DELER OG SPESIFIKASJONER

Delennr.	Beskrivelse
1	Øvre stekestativ (x1)
2	Midtre stekestativ (x1)
3	Steketakke (x1)
4	Stekerister (x4)
5	Skyveplate for flammegrill (x1)
6	Hovedplate for flammegrill (x1)
7	Pipepakning (x1)
8	Pipehette (x1)
9	Pipestabel (x1)
10	Opphengsbrakett (x1)
11	Lokkhåndtak (x1)
12	Hovedsylinder / beholderenhet (x1)
13	Håndtak til justeringsstang for flammegrillen (x1)
14	Justeringsstang for flammegrillen (x1)
15	Steketermometer (x2)
16	Fettpanne (x1)
17	Sidehylle (x1)
18	Spreaderplate (x1)
19	Brakett for fronthylle / venstre (x1)
20	Brakett for fronthylle / høyre (x1)
21	Fronthylle (x1)
22	Venstre støttebein - foran (x1)
23	Venstre støttebein - bak (x1)
24	Høyre støttebein - foran (x1)
25	Høyre støttebein - bak (x1)
26	Bunnhylle (x1)
27	Låsehjul (x2)
28	Hjul (x2)
29	Strømledningsklips (x1)
30	Strømledning - F-plugg (x1)
31	Strømledning - G-plugg (x1)
A	Skrue (x28)
B	Skive (x24)
C	Låseskive (x22)
D	Verktøykrok (x3)
E	Hjulsplint (x2)
F	Hjulskiver (x2)
G	Hjulakselpinner (x2)
H	Skrue (x2)
I	Mutter (x2)
J	Foring (x2)



A	D	G	J
B	E	H	
C	F	I	

MERK: På grunn av kontinuerlig produktutvikling kan delene endres uten forvarsel. Kontakt kundeservice hvis deler mangler ved montering av enheten.

PB – ELEKTRISKE KRAV
220-240 V, 50 Hz, 275 W, JORDET PLUGG

MODELL	MONTERT (BxDxH)	VEKT	TILBEREDNINGSMRÅDE	TEMPERATURMRÅDE
PB PB1600P51	1 587,5 MM x 813,5 MM x 1 400 MM / 62,50 TOMMER x 32,03 TOMMER x 55,12 TOMMER	110,0 KG / 242,5 PUND	ØVRE STATIV – 2 474,8 CM ² / 383,6 KVADRATTOMMER MIDT – 3 249,6 CM ² / 503,7 KVADRATTOMMER HOVED – 4 587,1 CM ² / 711,0 KVADRATTOMMER TOTALT – 10 311,5 CM ² / 1 598,3 KVADRATTOMMER	82-260 °C / 180-500 °F

KLARGJØRING FOR MONTERING

Delene er plassert i hele forsendelsesesken, inkludert under grillen. Undersøk grillen, delene og plastpakken med monteringsenheter når du har tatt alt ut av den beskyttende forsendelsesesken. Fjern all emballasje fra innsiden og utsiden av grillen før montering, og se deretter gjennom og undersøk alle delene ved å referere til delelisten. Hvis deler mangler eller er skadet, må du ikke prøve å montere enheten. Forsendelsesskader er ikke dekket av garantien. Kontakt forhandleren eller Pit Boss® kundeservice for deler.

www.pitboss-grills.com

VIKTIG: Montering blir enklere hvis to personer utfører den (men det er ikke nødvendig).

Nødvendige verktøy for montering: skrujern og vater. *Verktøy følger ikke med.*



MONTERINGSINSTRUKSJONER

VIKTIG: Du bør lese hvert enkelt trinn i sin helhet før du begynner montering etter instruksjonene. Ikke stram skruene helt før alle skruer for trinnet er montert. Enhetskombinasjoner med en låseskive og skive skal monteres med låseskiven nærmest skruhodet.

1. MONTERE BEINA PÅ HOVEDSYLINDEREN

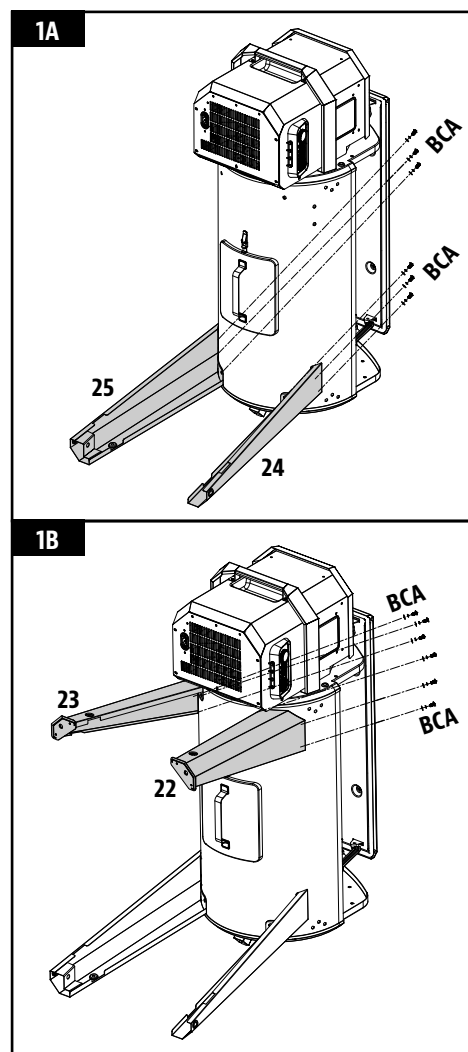
Nødvendige deler:

- 1 x hovedsyylinder/holderenhet (#12)
- 1 x venstre støttebein – foran (#22)
- 1 x venstre støttebein – bak (#23)
- 1 x høyre støttebein / foran (#24)
- 1 x høyre støttebein / bak (#25)
- 12 x skrue (#A)
- 12 x skive (#B)
- 12 x låseskive (#C)

Montering:

- Plasser en papplate på gulvet for å unngå å skrape opp enheten og delene under montering. Legg hovedsyylinderen sidelengs på pappen, med holderenden vendt oppover.
- Monter høyre fremre støttebein til gulvenden av hovedsyylinderen med tre skruer, låseskiver og skiver, gjennom de tre forhåndsborede hullene. Monter skruene fra innsiden av hovedsyylinderen. Gjenta monteringen for høyre bakre støttebein. Se illustrasjon 1A.
- Monter deretter venstre fremre støttebein til holderenden av hovedsyylinderen med tre skruer, låseskiver og skiver, gjennom de tre forhåndsborede hullene. Monter skruene fra innsiden av hovedsyylinderen. Gjenta monteringen for venstre bakre støttebein. Se illustrasjon 1B.

VIKTIG: Ikke stram skruene helt før bunnhyllen er montert i neste trinn.



NO

NORSK

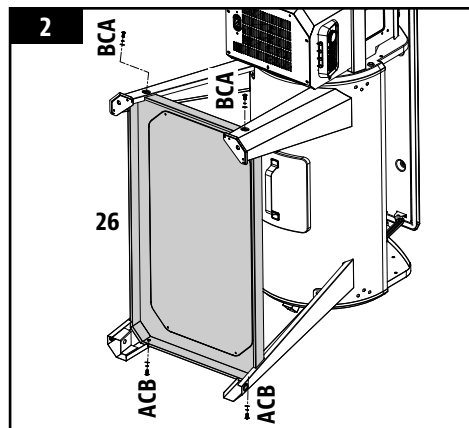
2. MONTERE BUNNHYLLEN

Nødvendige deler:

- 1 x bunnhylle (#26)
- 4 x skrue (#A)
- 4 x skive (#B)
- 4 x låseskive (#C)

Montering:

- Monter bunnhyllen til hvert enkelt støttebein ved hjelp av en skrue, en låseskive og en skive. Forsikre deg om at den flate overflaten på hyllen vender opp mot grill sylindren.



3. MONTERE HJUL PÅ VOGNEN

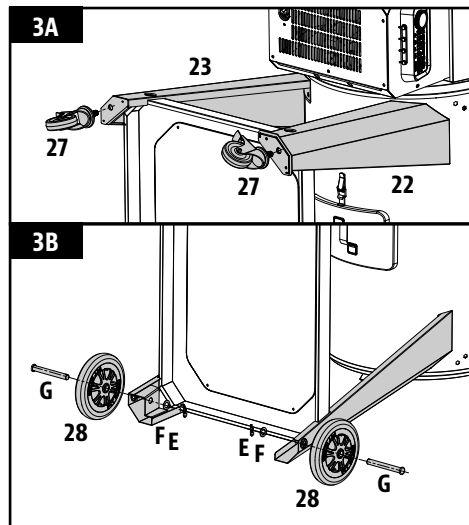
Nødvendige deler:

- 2 x låsehjul (#27)
- 2 x hjul (#28)
- 2 x hjulsplint (#E)
- 2 x hjulskive (#F)
- 2 x hjulakselpinne (#G)

Montering:

- Sett hvert låsehjul nederst på hvert venstre støttebein ved å håndstramme dem inn i hullet. Forsikre deg om at hvert låsehjul er satt helt på plass. Se illustrasjon 3A.
- Fest hvert hjul til hvert høyre støttebein ved å sette inn hjulakselpinnen gjennom hjulet, hullet på støttebeinet og hjulskiven, og fest deretter med hjulsplinten. Se illustrasjon 3B.
- Når hyllen er festet, løfter du grillen forsiktig til stående stilling.

VIKTIG: Stram støttebeinskruene igjen for å sikre at de er helt festet etter at du har plassert grillen oppreist.



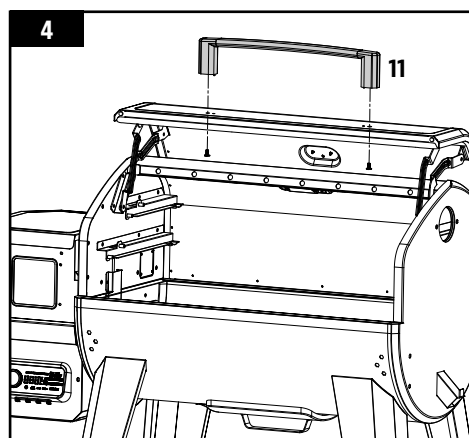
4. MONTERE LOKKHÅNDTAKET

Nødvendige deler:

- 1 x lokkhåndtak (#11)

Montering:

- Fjern de forhåndsmonterte skruene fra lokkhåndtaket. Fra innsiden av sylindreløkket, sett inn en skrue som stikker ut på utsiden, og stram deretter skruen for hånd (fra innsiden) inn i lokkhåndtaket. Gjenta den samme monteringen for den andre enden av lokkhåndtaket.



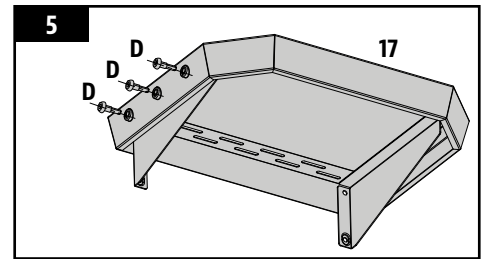
5. MONTERE SIDEHYLLEN

Nødvendige deler:

- 1 x sidehylle (#17)
- 3 x verktøykrok (#D)

Montering:

- Snu sidehyllen opp ned. På kanten av sidehyllen med tre hull, monterer du verktøykrokene i hvert hull langs kanten. Verktøykrokene vil festes til mutteren som er forhåndsmontert på innsiden.



6. MONTERE SIDEHYLLEN

Nødvendige deler:

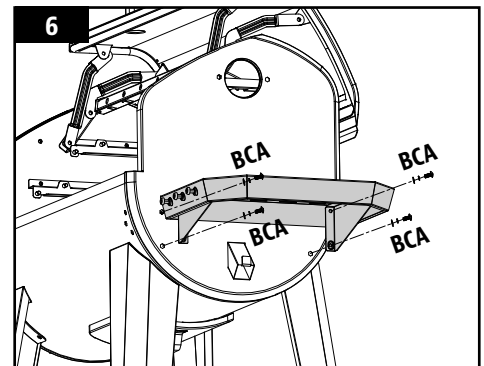
- 4 x skrue (#A)
- 4 x låseskive (#C)
- 4 x skive (#B)

Montering:

- Fra undersiden festes sidehyllen på sidepanelet til hovedsylinderen med fire skruer, låseskiver og skiver.

MERK: Ikke stram skruene helt før alle skruer er montert. Stram til alle skruene ordentlig når alle skruene er montert.

VIKTIG: Ikke bruke hyllene til å flytte eller løfte grillen. Enhetens vekt vil føre til at hyllene bli ødelagt, noe som ikke dekkes av garantien.



7. SIKRING AV PIPEN

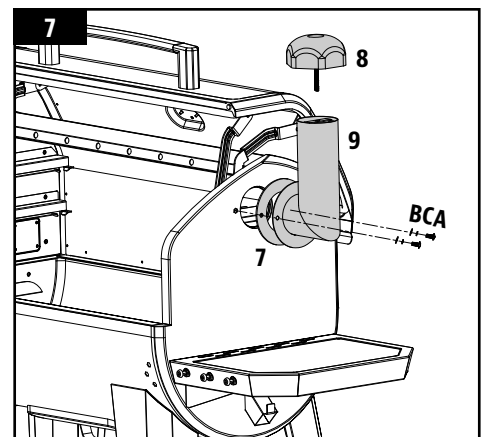
Nødvendige deler:

- 1 x pipepakning (#7)
- 1 x pipehette (#8)
- 1 x pipestabel (#9)
- 2 x skrue (#A)
- 2 x låseskive (#C)
- 2 x skive (#B)

Montering:

- Finn pipeåpningen på siden av hovedsylinderen. Fest sidepanelet til pipestabelen og pipepakningen fra utsiden ved å bruke to skruer, låseskiver og skiver. Skruen vil feste seg til den forhåndsmonterte mutteren inne i sylinderen.
- Deretter fester du pipehetten på toppen av pipestabelen ved å rotere pipehetteskruen inn i pipestabelen.

MERK: Juster pipehetten slik at den påvirker luftstrømmen inni hovedgrillen. Ved tilberedning på lav temperatur må du holde hetten mer åpen. Forsikre deg om at pipehetten tillater at luft slipper ut.



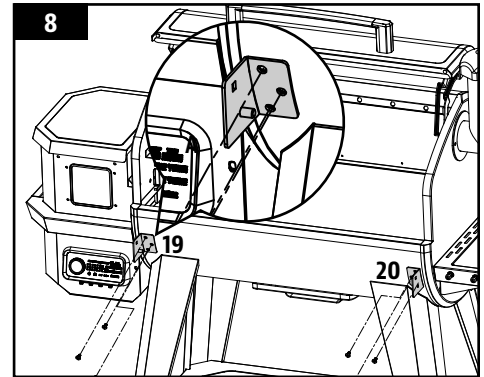
8. FESTE BRAKETTER FOR FRONTHYLLEN

Nødvendige deler:

- 1 x brakett for fronthylle / venstre (#19)
- 1 x brakett for fronthylle / høyre (#20)
- 6 x skruer (#A)

Montering:

- Fest en brakett for fronthyll til fronten av grillsylinderen ved å bruke tre skruer. Monter hver skru halvveis, stram dem deretter helt når alle tre skruene er montert og innrettet.
- Gjenta monteringen for den andre braketten for fronthylle.



9. MONTERE FRONTHYLLEN

Nødvendige deler:

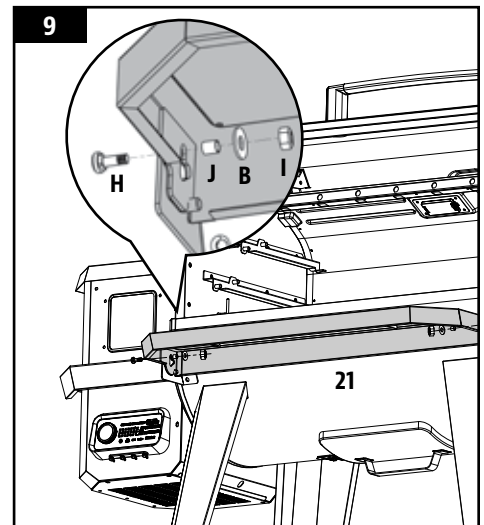
- 1 x fronthylle (#21)
- 2 x skive (#B)
- 2 x skruer (#H)
- 2 x mutter (#I)
- 2 x foring (#J)

Montering:

- Fra undersiden setter du skruen (fra utsiden) inn i braketten for fronthyllen og fronthyllen, og deretter setter du på foringen, skiven og mutteren på skruen. Gjenta monteringen for den andre siden av fronthyllen.

MERK: Når fronthyllen er montert riktig, kan den enkelt heves (for bruk) og senkes (for oppbevaring).

VIKTIG: Ikke bruke hyllene til å flytte eller løfte grillen. Enhetens vekt vil føre til at hyllene bli ødelagt, noe som ikke dekkes av garantien.



10. PLASSERE SPREDERPLATEN

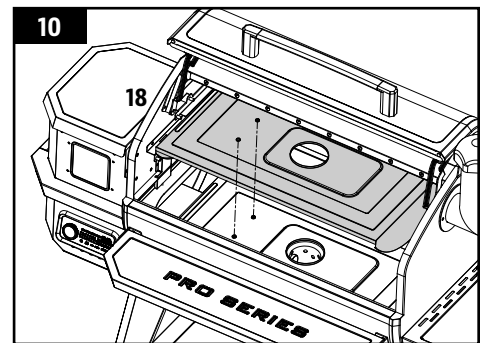
Nødvendige deler:

- 1 x spreaderplate (#18)

Montering:

- Plasser spreaderplaten i hovedsylinderen, slik at hovedåpningen er innrettet direkte mot den sirkelformede bålpannen i bunnen av hovedsylinderen.

MERK: Spreaderplaten krever ikke festing.



11. MONTERE KOMPONENTENE FOR FLAMMEGRILLEN

Nødvendige deler:

- 1 x skyveplate for flammegrill (#5)
- 1 x hovedplate for flammegrill (#6)
- 1 x håndtak til justeringsstang for flammegrill (#13)
- 1 x justeringsstang for flammegrill (#14)

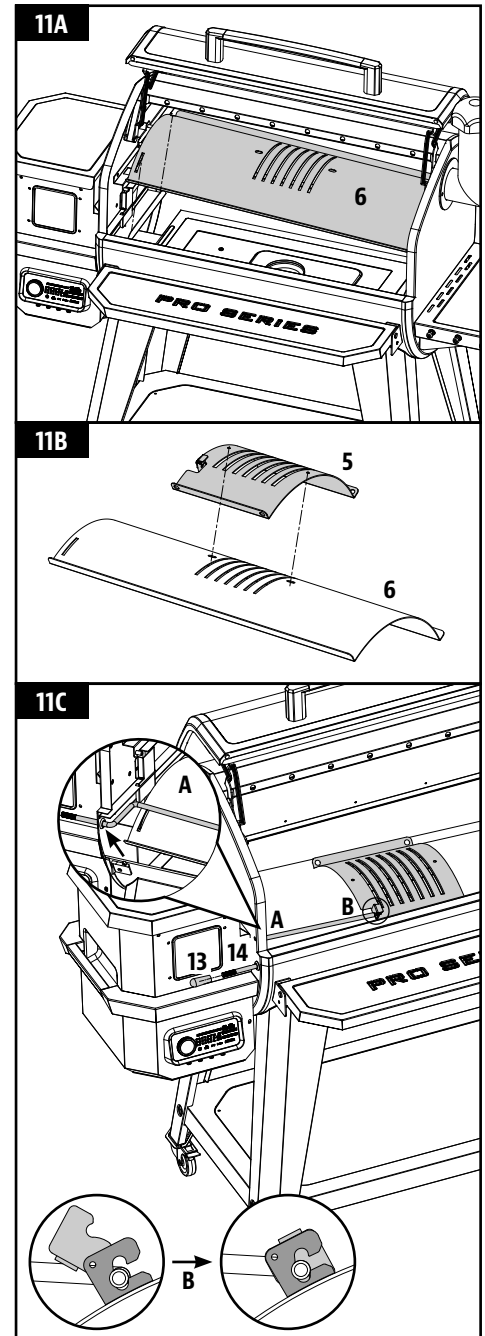
Montering:

- Sett inn hovedplaten for flammegrillen i hovedgrillen med høyre side først. La hovedplaten for flammegrillen hvile på den innebygde kanten (til høyre på innsiden) i hovedgrillen som fører fett mot fettpannen. Skyv hele delen mot venstre, og de to sporene på hovedplaten for flammegrillen passer inn i den runde kanten over bålpannen. Den er festet i en lett nedovervendt vinkel. Se 11A.

VIKTIG: Hvis hovedplaten for flammegrillen er på sylindersokkelen, er monteringen feil. Hovedplaten for flammegrillen skal være plassert i vinkel, med den venstre siden høyere enn den høyre. Dårlig montering av denne delen kan føre til skade på hovedsylindren for grillen.

- Plasser skyveplaten for flammegrillen oppå hovedplaten for flammegrillen, slik at den dekker sporåpningene. Pass på at det hevede haket er til venstre, for enkel justering for direkte eller indirekte flamme under tilberedning. Se illustrasjon 11B. Begge flammegrilldelene er påført et tynt oljelag ved forsendelse for å unngå rust.
- Fjern deretter håndtaket til justeringsstangen for flammegrillen fra justeringsstangen for flammegrillen. Sett inn justeringsstangen for flammegrillen gjennom åpningshullet på venstre side av hovedsylindren. Sett på håndtaket for flammegrillens justeringsstang på den enden som er utenfor sylindren. Skyv deretter enden av justeringsstangen med hakk inn i låsefliken på skyveplaten for flammegrillen slik at du får justerbar tilgang til flammegrillens skyveplate på hovedplaten. Merk trinnene i 11C.

MERK: Når skyveplaten for flammegrillen er åpen og direkte flamme brukes, må grillen være under oppsyn absolutt hele tiden.



12. MONTERE TILBEREDNINGSKOMPONENTENE

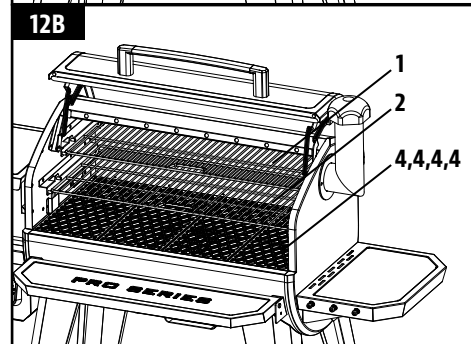
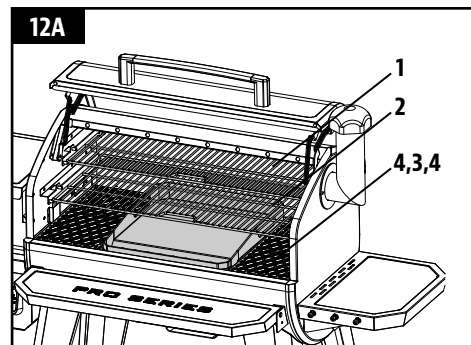
Nødvendige deler:

- 1 x øvre stekestativ (#1)
- 1 x midtre stekestativ (#2)
- 1 x steketakke (#3)
- 4 x stekerister (#4)

Montering:

- Velg ønsket hovedkokeplate: to stekerister med steketakke (vist i 12A) eller fire stekerister (vist i 12B). Plasser den valgte kombinasjonen av grillplater på de nedre ristavsatsene inne i hovedgrillen.
- Deretter plasserer du midtre stekerist på midterste avsats inne i hovedgrillen. Plasser det øvre stekerist på den øvre kanten inni hovedgrillen.

MERK: Jevnlig stell og vedlikehold er nødvendig for å opprettholde steke- og grilltelsen til stekeristene.



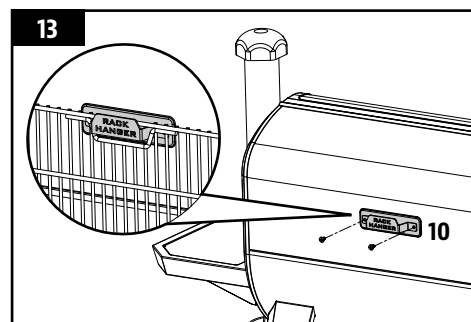
13. MONTERE OPPHENGSRACKETTEN

Nødvendige deler:

- 1 x opphengsbrakett (#10)

Montering:

- Fest opphengsbraketten til bakpanelet i hovedsylinderen med de to skruene før montering. Stekerister kan henges på opphengsbraketten når de ikke er i bruk.



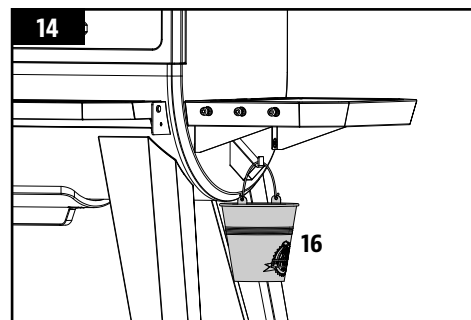
14. PLASSERE FETTPANNEN

Nødvendige deler:

- 1 x fettpanne (#16)

Montering:

- Plasser fettpannen på tutkroken på enden av hovedsylinderen. Pass på at den er i vater for å unngå fettsøl.
- Enheten er nå ferdig montert.



15. MONTERE STRØMLEDNINGEN

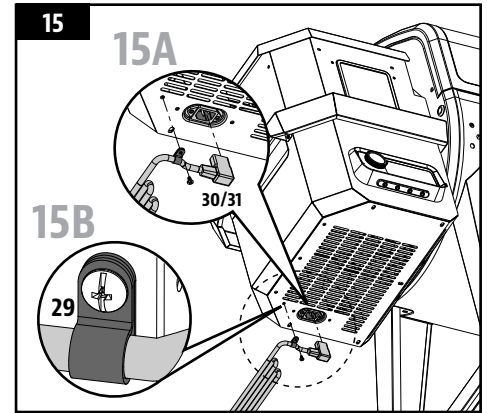
MERK: Det følger med to strømledninger. Velg strømledningen som er nødvendig for din region.

Nødvendige deler:

- 1 x Strømledningsklips (#29)
- 1 x strømledning (#30 eller #31)

Montering:

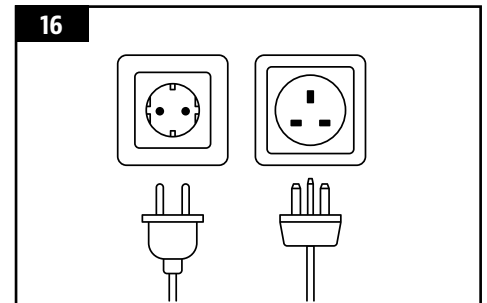
- Plasser strømledningsklipsen på strømledningen. Sett deretter strømledningen inn i hulrommet i bunnen av enheten. Se 15A.
- Fest strømklipsen til bunnpanelet ved hjelp av den forhåndsmonterte skruen, som vist. Se 15B.



16. KOBLE TIL EN STRØMKILDE

- **STANDARDKONTAKT**
Dette apparatet bruker 220–240 V, 50 Hz, 275 W. Det må være en jordet plugg. Kontroller at den jordede enden ikke er knekt av før bruk. Kontrollen bruker en hurtigsikring på 220–240 V til å beskytte tavlen mot tenneren.

VIKTIG: Koble enheten fra strømkilden når den ikke er i bruk.



INSTRUKSJONER FOR BRUK

En moderne livsstil innebærer å spise sunn og næringsrik mat, og det er viktig å vurdere en reduksjon av fettinntaket. En av de beste måtene å redusere fettinnholdet i kostholdet på, er å bruke en tilberedningsmåte med lite fett, for eksempel grilling. Ettersom en pelletsgrill bruker naturlige trepellets, blir saltsmaken fra treet innbakt i kjøttet, noe som reduserer behovet for sauser med høyt sukkerinnhold. I denne håndboken vil du legge merke til at vi legger vekt på langvarig grilling av mat på LAV eller MIDDELS temperatur.

GRILLOMGIVELSER

1. ANBEFALT PLASSERING AV GRILLEN

Som for alle andre utendørsenheter, er værforholdene viktig for grillens ytelse og tilberedningstiden som kreves for perfekte måltider.

Alle Pit Boss®-enheter må opprettholde en minimumsavstand på 914 mm (36 tommer) fra brennbare konstruksjoner, og denne avstanden må opprettholdes hver gang grillen er i bruk. Dette apparatet må ikke plasseres under brennbare tak eller overheng. Hold grillen på et område som er uten brennbare materialer, bensin og andre brennbare damper og væsker.

2. MATLAGING I KJØLIG VÆR

Selv om det blir kjøligere ute, betyr ikke det at grillsesongen er over! Den friske, kjølige luften og de deilige duftene av røkt mat er balsam for sjelen i vintermånedene.

Følg disse forslagene til hvordan du kan grille i alle de kalde månedene:

- Hvis røyking på lav temperatur ikke fungerer, øker du temperaturen litt for å oppnå samme resultat.
- Vær organisert: hent alt du trenger på kjøkkenet før du går ut. Om vinteren flytter du grillen til et området som er i le for vinden og direkte kulde. Kontroller lokale lover om hvor nært grillen kan stå huset ditt og/eller andre strukturer. Legg alt du trenger på et brett, kle deg godt, og få det gjort!
- Du kan holde oversikt over temperaturen utendørs ved å plassere et utendørstermometer nær tilberedningsområdet. Noter deg hva du har laget, hva temperaturen var utendørs, og hvor lang tid tilberedningen tok. Dette hjelper deg senere når du skal finne ut hva du skal lage, og hvor lang tid det kommer til å ta.
- I veldig kaldt vær må du øke oppvarmingstiden med minst 20 minutter.
- Ikke ta av lokket oftere enn nødvendig. Kalde vindkast kan kjøle grilltemperaturen helt ned. Vær fleksibel med serveringstidspunktet. Legg til ekstra tilberedningstid for hver gang du åpner lokket.
- Ha en varm tallerken eller et tallerkendeksel klart, slik at maten holdes varm på vei inn igjen.
- Mat som egner seg godt for tilberedning om vinteren, er mat som krever lite tilsyn, for eksempel steik, hel kylling, ribbe og kalkun. Gjør tilberedningen av måltidet enda enklere ved å bruke enkelt tilbehør, for eksempel grønnsaker og poteter.

3. MATLAGING I VARMT VÆR

Når det blir varmere ute, går tilberedningstiden ned.

Følg disse forslagene til hvordan du kan grille i alle de varme månedene:

- Juster tilberedningstemperaturen nedover. Dette bidrar til å unngå uønsket oppflamming.
- Bruk et steketermometer til å fastsette den innvendige temperaturen i maten. Dette bidrar til å forhindre at kjøttet grilles for lenge og blir tørt.
- Selv i varmt vær er det best å tilberede maten med lokket på.
- Du kan holde maten varm ved å pakke den inn i folie og legge den i en isolert kjøler. Stapp krøllet avispapir rundt folien, så holder maten seg varm i 3–4 timer.

TEMPERATUROMRÅDER FOR GRILL

Temperaturavlesningene på kontrollpanelet er ikke nødvendigvis identisk med termometeret. Alle temperaturene nedenfor er omtrentlige og påvirkes av følgende faktorer: omgivelsestemperaturen utendørs, mengden vind og vindretningen, kvaliteten på pelletbrensel som brukes, løfting av lokket og mengden mat som tilberedes.

- **HØY TEMPERATUR (205–260 °C / 401–500 °F)**

Dette området er best når du skal steke og grille på høy varme. Bruk sammen med flammegrillen (skyveplaten) for tilberedning med indirekte eller direkte flamme. Når **flammegrillen er åpen**, brukes direkte varme til å lage «blå» biffer, i tillegg til flammekyssede grønnsaker, hvitløksbrød eller s'mores! Når **flammegrillen er lukket**, sirkulerer luften rundt sylindere og danner konveksjonsvarme. Høy temperatur brukes også til å forhåndsvarme grillen, brenne av stekeristene og oppnå høy varme i svært kaldt vær.

- **MIDDELS TEMPERATUR (135–180 °C / 275–356 °F)**

Dette området passer best til baking, steking og sluttbehandling av retter som er langtidstilberedt med røyk. Matlaging på disse temperaturene reduserer sjansen for fettoppflaming betydelig. Pass på at skyveplaten for flammegrillen er lukket, slik at den dekker sporåpningene. Dette er et utmerket temperaturområde for tilberedning av alt som er surret inn i bacon, eller der du vil ha allsidighet med kontroll.

- **LAV TEMPERATUR (82–125 °C / 180–257 °F)**

Dette området brukes til langvarig steking, til å forsterke røyksmaken og til å holde maten varm. Tilfør mer røyksmak og hold kjøttet saftig ved å tilberede det lenger på lavere temperatur (også kalt **lavt og sakte**). Sterkt anbefalt for en stor kalkun på nyttårsaften, en saftig skinkesteik til påske eller en stor sommerfest.

Røyking er en variasjon av ekte grilling og er hovedfordelen med å grille på en grill med trepellets. **Varmrøyking**, et annet navn på **lavt og sakte**, utføres vanligvis på 82–125 °C / 180–257 °F. Varmrøyking fungerer best når lang tilberedningstid er nødvendig, for eksempel store biter kjøtt, fisk eller fjærkre.

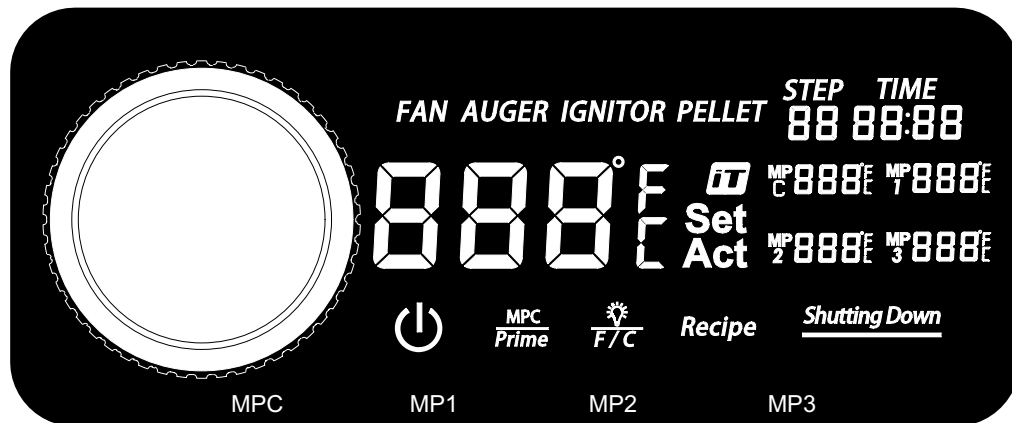
TIPS: Du kan forsterke røyksmaken ved å bytte til en lav temperaturinnstilling like etter at du har lagt maten på grillen. Dette gjør at røyken kan trenge inn i kjøttet.

Nøkkelen er å eksperimentere med tiden du bruker på røykingen, før måltidet er ferdig tilberedt. Noen utendørskokker foretrekker å røyke på slutten av tilberedningen, slik at maten holder seg varm til den er klar for servering. Øvelse gjør mester!

FORSTÅ KONTROLLPANELET

Dette digitale P.I.D.-kontrollpanelet (proporsjonalt-integrert derivat) digitalt kontrollpanel er omtrent det samme som kontrollene på kjøkkenovnen din. De viktigste fordelene er muligheten til automatisk å kompensere for de forskjellige omgivelsesforholdene og brenseltypene.

VIKTIG: Temperaturen inne i grillen vil variere veldig fra sted til sted. Selv instrumenter som er kalibrert sammen, viser kanskje ikke samme resultat.



KONTROLL	BESKRIVELSE
	Trykk på denne knappen én gang for å slå enheten på. Dette vil sette i gang den automatiske oppstartssyklusen. Trykk og hold inne denne knappen i tre sekunder for å slå enheten av og aktivere den automatiske avkjølingssyklusen. Knappen lyser hvitt når den er koblet til en strømkilde og når enheten er på.
	Smoke iT®-ikonet indikerer tilkobling til Wi-Fi. Når du søker etter tilkobling via Wi-Fi eller Bluetooth®, blinker Smoke iT®-ikonet. Når en Wi-Fi-tilkobling er opprettet, slutter Smoke iT®-ikonet å blinke og lyser permanent. Når du er tilkoblet, kan du få oppdateringer i sanntid om den reelle og innstilte grilltemperaturen, tilberedningstid og temperaturer for steketermometeret. Det lar deg også justere innstillingene til kontrollpanelet.
	Denne knappen har to funksjoner: temperaturenhetsbryter og lys. <ol style="list-style-type: none"> Trykk raskt på denne knappen for å slå lyset av og på inne i grillsylinderen. Trykk og hold inne denne knappen i tre sekunder for å aktivere temperaturenhetsbryteren og endre temperaturavlesningen. Bytt mellom celsius (°C) og fahrenheit (°F). Celsius (°C) er satt som standard.
	Denne knappen har to funksjoner: steketermometerkontroll (MPC) og Prime-knapp. <ol style="list-style-type: none"> Med et raskt trykk på denne knappen aktiveres det programmerbare steketermometeret – som er den første tilkoblingsporten for steketermometer (MPC). Bruk kontrollknappen til å stille inn temperaturen for det programmerbare steketermometeret. Trykk på kontrollknappen på nytt for å bekrefte og avslutte innstillingene for det programmerbare steketermometeret. Trykk og hold inne denne knappen i tre sekunder for å aktivere en manuell kontinuerlig tilførsel av pellets til bålpannen. Hvis du slipper knappen, stopper manuell tilførsel av pellets. Denne knappen kan brukes til å tilføre mer brensel til ilden før du åpner sylindrerlokket, noe som gir rask gjenoppretting av varmen. Den kan også brukes under røyking for å øke intensiteten av den rene røyksmaken. Denne funksjonen forespurt av fra konkurransekoker.

NO

NORSK



Kontrollknappen brukes til å øke, redusere og velge en innstillingsverdi. Drei kontrollknappen for å velge tid, temperatur eller trinn i en aktiv innstillingsmeny. Trykk på kontrollknappen for å bekrefte den valgte verdien.



Den sentrale avlesningen viser både den faktiske og den innstilte temperaturen. Den faktiske temperaturen vises kontinuerlig med mindre den innstilte temperaturen justeres. Den faktiske temperaturen er temperaturen inne i hovedsylinderen. Den faktiske temperaturavlesningen tas av temperaturmåleren (sensoren) inne i grillsylinderen.

Trykk på kontrollknappen for å vise den innstilte temperaturen. Den innstilte temperaturen er aktiv når avlesningen blinker. Hvis du vil justere innstilt temperatur, roterer du kontrollknappen etter behov. Når ønsket innstilt temperatur er nådd, trykker du på kontrollknappen for å bekrefte innstilt temperatur, og deretter går avlesningen tilbake til den faktiske temperaturen.

Recipe

Trykk på knappen én gang for å aktivere oppskriftstrinnene. Du kan angi ni oppskriftstrinn. Juster innstillingene for hvert oppskriftstrinn ved hjelp av kontrollknappen.



Viser gjeldende oppskriftstrinn.



Viser tiden som er angitt under oppskriftstrinnet. Trykk på oppskriftsknappen for å aktivere oppskriftsinnstillingene. Bruk kontrollknappen til å bla gjennom oppskriftstrinnene, der ett av dem er tiden.



Viser den faktiske og innstilte temperaturen til det programmerbare steketermometeret – som er den første tilkoblingsporten for steketermometer (MPC). Den faktiske temperaturen vises kontinuerlig med mindre den innstilte temperaturen justeres. Når du trykker på MPC-knappen, vil den valgte steketermometeravlesningen blinke og den innstilte temperaturen kan justeres. Når den ikke er i bruk, kobler du steketermometeret fra tilkoblingsporten og koden "noP" vises. Bare kompatibel med steketermometre av merket Pit Boss®.



Viser den faktiske temperaturen til et steketermometer. Disse tre steketermometeravlesningene samsvarer med valgt tilkoblingsport. Når den ikke er i bruk, kobler du steketermometeret fra tilkoblingsporten og koden "noP" vises. Bare kompatibel med steketermometre av merket Pit Boss®.

Shutting Down

Denne avlesningen vises etter at avslåing er valgt. Den indikerer at den automatiske avkjølingssyklusen har startet. Når avkjølingssyklusen er fullført, vil ikke avlesningen lenger være synlig.

FAN

Vifteikonet vises når viften er i drift. Når den sentrale avlesningen har vifteikonet blinker, fungerer ikke viften. Se avsnittet om feilsøking for hjelp.

AUGER

Mateskrueikonet vises når skruen roterer. Når den sentrale avlesningen har mateskrueikonet blinker, fungerer ikke mateskruen. Se avsnittet om feilsøking for hjelp.

IGNITOR

Tennerikonet vises når tenningen er i bruk. Når den sentrale avlesningen har tennerikonet blinker, fungerer ikke tenneren. Se avsnittet om feilsøking for hjelp.

PELLET

Når den sentrale avlesningen har pelletsikonet vises, har ilden i bålpannen sluknet eller beholderen kan være tom. Se avsnittet om feilsøking for hjelp.

KONTROLLPANELFUNKSJONER

· *STILLE INN GRILLTEMPERATUR*

Grilltemperaturmåleren måler den innvendige temperaturen i hovedsylindere. Når den angitte temperaturen justeres, vil temperaturmåleren måle den faktiske temperaturen inne i hovedsylindere og justere til ønsket temperatur.

VIKTIG: Temperaturen i enheten påvirkes i stor grad av været utendørs, kvaliteten på pelletsen du bruker, smaken på pelletsen og mengden mat som tilberedes.

INNSTILLING/JUSTERING AV INNSTILT TEMPERATUR

Følg trinnene nedenfor for å justere til ønsket innstilt temperatur på grillen:

1. Trykk på kontrollknappen. Dette vil gjøre at avlesningen for innstilt temperatur blinker for å vise at den er valgt.
2. Bruk kontrollknappen på nytt for å justere til ønsket temperatur.
3. Når ønsket innstilt temperatur er nådd, trykker du på kontrollknappen for å bekrefte innstilt temperatur, og deretter går avlesningen tilbake til den faktiske temperaturen.

· *BRUKE DET PROGRAMMERBARE STEKETERMOMETERET*

Steketermometeret måler den innvendige temperaturen på kjøttet på grillen, på samme måte som en stekeovn på kjøkkenet. Stikk det rustfrie steketermometeret inn i den tykkeste delen av kjøttet. Kjøttets innvendige temperatur vises på kontrollpanelets avlesning. Plugg adapteren for steketermometeret inn i tilkoblingsporten for steketermometeret, og sørg for at den er satt helt inn i pluggen. Du vil føle og høre den klikker på plass. Ikke bare vil kjøttet tilberedes med ønsket temperatur, men grilltemperaturen vil automatisk justeres til lav (82 ° C / 180 ° F) for å holde maten varm til den er klar til servering. Still inn og slapp av mens steketermometeret gjør resten!

MERK: Når du plasserer steketermometeret i kjøttet, må du passe på at termometeret og ledningene på det ikke kommer i kontakt med flammer eller for høy varme. Dette kan skade steketermometeret. Strekk den overskytende ledning ut av de bakre utgangshullene på hovedsylindere, toppen av hovedsylindere (nær hengslet på grilllokket) eller gjennom det fremre hullet nær beholderen. Når du ikke skal bruke steketermometeret, kobler du det fra tilkoblingsporten og plasserer det i hullene på beholderhåndtaket for å holde det beskyttet og rent.

INNSTILLING/JUSTERING AV DET PROGRAMMERBARE STEKETERMOMETERET

Følg trinnene nedenfor for å programmere ønsket innstilt temperatur på det programmerbare steketermometeret:

1. Trykk raskt på MPC-knappen for å aktivere det programmerbare steketermometeret. Når det er aktivert, vil temperaturavlesningen for steketermometeret blinke.
2. Bruk kontrollknappen for å justere til ønsket innstilt temperatur.
3. Når ønsket innstilt temperatur for det valgte steketermometeret er nådd, trykker du på kontrollknappen på nytt for å bekrefte og lukke innstillingene for det programmerbare steketermometeret.

• ANGI EN OPPSKRIFT

Oppskriftsfunksjonen lar brukeren programmere tilberedningsinstruksjoner, også kalt oppskriftstrinn, som kontrollpanelet kan følge og kjøre automatisk. Disse instruksjonene er en kombinasjon mellom grilltemperatur og -tid. Kontrollpanelet begynner på det første oppskriftstrinnet (01) og vil gå gjennom hvert oppskriftstrinn for å tilberede måltidet. Når alle oppskriftstrinnene er fullført, vil kontrollpanelet automatisk skifte til en lavere temperatur på 82 °C / 180 °F, slik at måltidet holder seg varmt til det er klart til servering. Det finnes totalt ni oppskriftstrinn som kan programmeres.

PROGRAMMERE ET OPPSKRIFTSTRINN

Følg trinnene nedenfor for å angi ett eller flere oppskriftstrinn:

1. Trykk og hold inne oppskriftsknappen. Dette får oppskriftsknappen til å blinke for å vise at oppskriftsinnstillingene er aktive. Dette vil også aktivere oppskriftstrinnene, og bokstaven S vil være på for å vise at de er aktive.
 - Bruk kontrollerknappen til å velge oppskriftstrinn. Begynn med det første oppskriftstrinnet (01).
 - Når ønsket oppskriftstrinn er nådd, trykk du på kontrollknappen for å gå til neste innstilling.
 2. Angi antall timer. Indikatoren for timer vil blinke for å vise at det er valgt.
 - Bruk kontrollerknappen til å velge ønsket antall timer.
 - Når ønsket antall timer er nådd, trykk du på kontrollknappen for å gå til neste innstilling.
 3. Angi minutter. Indikatoren for minutter vil blinke for å vise at det er valgt.
 - Bruk kontrollerknappen til å velge ønsket antall minutter.
 - Når ønsket antall minutter er nådd, trykk du på kontrollknappen for å gå til neste innstilling.
 4. Angi temperaturen. Den sentrale temperaturavlesningen vil blinke for å vise at det er valgt.
 - Bruk kontrollerknappen til å velge ønsket temperatur.
 - Når ønsket temperatur er nådd, trykker og holder du inne oppskriftsknappen for å låse alle oppskriftsinnstillinger for oppskriftstrinnet.
 - Hvis du vil angi et nytt oppskriftstrinn, trykker du raskt på oppskriftsknappen for å velge et nytt oppskriftstrinn og programmere ett eller flere oppskriftstrinn. Gjenta trinnene ovenfor etter behov.
- Eller
- Trykk og hold inne oppskriftsknappen en gang til for å avslutte oppskriftsinnstillingene og kjøre oppskriften. Oppskriftsknappen slutter å blinke.

MERK: Oppskriftstrinnene tilbakestilles når enheten slås av.

KOBLE TIL SMOKE iT[®]-APPEN

Følg disse instruksjonene om hvordan du kobler grillen til Smoke iT[®]-appen med en Android™- eller iOS[®]-enhet. Med appen kan du kontrollere og overvåke grillen og temperaturene til steketermometeret fra mobilenheten. Bruk funksjonene som mobil tilkobling til Smoke iT[®] har å tilby!

1. Last ned Smoke iT[®]-appen. Åpne appen og aktiver Bluetooth[®] for oppsett. Nye brukere må opprette en konto og følge instruksjonene på skjermen for å logge på.
2. Hvis du er innenfor Bluetooth[®]-rekkevidde (9 m / 30 ft), vil Smoke iT[®]-appen finne grillen din automatisk. Velg grillmodellen du bruker. Hvis din modell ikke vises på skjermen, sjekker du at enheten er koblet til en strømkilde og at den er slått på.
3. Gi et navn til grillmodellen (for eksempel «Min grill») i appen og velg Koble til nederst på skjermen. Dermed lagres grillmodellen på enhetsmenyen.
4. Fra enhetsmenyen klikker du på grillmodellen for å koble til. Dermed vises skjermen med kontrollpanelet.
5. Klikk på alternativet for innstillinger (tannhjul) øverst til høyre, angi Wi-Fi-legitimasjon, og klikk deretter i avmerkingsboksen nederst på skjermen for å fortsette. Nå vises både Bluetooth[®]- og Wi-Fi-ikonet (sky) på enhetsmenyen, og dette betyr at grillen er tilkoblet.

Under bruk vil appskjermen være lys når grillen er aktiv og tilkoblet. Hvis appskjermen eller grillen blir mørk på enhetsmenyen, må du sjekke den trådløse tilkoblingen eller strømkilden.

PROSEDYRE FOR KLARGJØRING AV BEHOLDEREN

Disse instruksjonene må følges første gang grillen tennes, og hver gang grillen går tom for pellets i beholderen. Mateskruen må klargjøres slik at pellets kan føres gjennom hele mateskruen og fylle matesystemet. **Hvis den ikke klargjøres, blir tenneren bli tidsavbrutt før pelletsen tennes.** Gjør følgende for å klargjøre beholderen:

1. Åpne lokket til hovedsylindere. Ta ut alle tilberedningskomponenter fra innsiden av grillen. Finn bålpannen nederst i hovedsylindere. Kontroller at det ikke er noen hindringer for riktig tenning i bålpannen.
2. Plugg strømledningen til en strømkilde. Trykk på av/på-knappen for å slå enheten på. Kontroller følgende:
 - At du kan høre at mateskruen går rundt. Hold hånden over bålpannen for å se om du kjenner bevegelse i luften. Ikke hold hånden eller fingre på innsiden av bålpannen. Det kan føre til skader.
 - Etter ca. ett minutt skal du lukte at tenneren brenner og begynne å kjenne at luften blir varmere i bålpannen. Tennertuppen lyser ikke rødt, men blir ekstremt varm og brenner. Ikke rør tenneren.
3. Etter å ha kontrollert at alle elektriske komponenter fungerer som de skal, trykk og hold inne strømknappen i tre sekunder for å slå av enheten.
4. Åpne beholderlokket. Kontroller at det ikke er fremmedlegemer i beholderen eller i matesystemet. Fyll beholderen med tørre og helt naturlige pellets av hardt tre.
5. Trykk på av/på-knappen for å slå på enheten. Oppstartssyklusen for grillen har en forhåndsinnstilt temperatur på 176 °C / 350 °F, så den begynner å varmes opp. Trykk og hold inne Prime-knappen til du ser pellets på innsiden av grillen fra mateskruerøret. Når pellets begynner å falle ned i bålpannen, slipper du Prime-knappen.
6. Trykk og hold inne strømknappen i tre sekunder for å slå av enheten.
7. Sett tilberedningskomponentene inn igjen i hovedsylindere. Grillen er nå klar for bruk.

FØRSTE BRUK – AVBRENNING AV GRILLEN

Når beholderen er klargjort og før du tilbereder mat på grillen for første gang, er det viktig å gjennomføre en avbrenning av grillen. Start grillen på hvilken som helst temperatur over 176 °C / 350 °F (med lokket på) i 30 til 40 minutter for å brenne av grillen og bli kvitt eventuelle fremmedlegemer.

PROSEDYRE FOR AUTOMATISK OPPSTART

1. Plugg strømledningen til en jordet strømkilde. Åpne lokket til hovedsylindere. Kontroller at det ikke er noen hindringer for riktig tenning i bålpannen. Åpne beholderlokket. Kontroller at det ikke er fremmedlegemer i beholderen eller i matesystemet. Fyll beholderen med tørre og helt naturlige pellets av hardt tre.
2. Trykk på av/på-knappen for å slå enheten på. Dette aktiverer oppstartssyklusen. Matesystemet begynner å rotere, tenneren begynner å gløde, og viften forsyner luft til bålpannen. Grillen begynner å produsere røyk mens oppstartssyklusen foregår. Sylinderekket må være åpent under oppstartssyklusen. Du kan bekrefte at oppstartssyklusen har startet som den skal, ved å lytte etter et ildbrøl og se at varme produseres.
3. Når den tunge, hvite røyken har spredt seg, er oppstartssyklusen fullført, og du er klar til å bruke grillen på ønsket temperatur.

SLÅ GRILLEN AV

1. Når du er ferdig med tilberedningen, trykker du på og holder inne av/på-knappen i tre sekunder mens lokket på hovedsylindere er lukket, for å slå enheten av. Grillen vil begynne en automatisk nedkjølingssyklus. Mateskruesystemet vil stoppe mating av brensel, flammen brenner ut, og viften vil fortsette å gå til avkjølingssyklusen er fullført.

STELL OG VEDLIKEHOLD

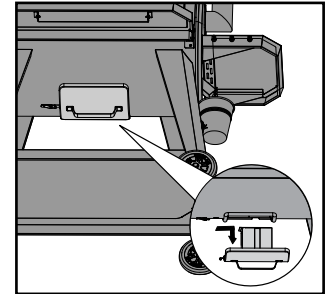
ADVARSEL: Koble alltid fra den elektriske ledningen før du åpner grillen for inspeksjon, rengjøring, vedlikehold eller service. Pass på at grillen er helt nedkjølt, slik at du unngår skader.

Alle Pit Boss®-enheter gir deg mange års smaksrik bruk hvis du rengjør dem litt. Følg disse tipsene om rengjøring og vedlikehold for å holde grillen i god stand:

1. TØMME ASKE

- Nederst i grillsylindren er det tilgang for rengjøring av aske. Her får du enkel tilgang til innsiden av bålpannen for å rengjøre den så ofte som nødvendig. Du tømmer den ved å løsne spennlåsen på askebokskroken. Hold på håndtaket, skyv askeboksen bort fra spennen og trekk den ned for å fjerne den. Når den er tømt, setter du på askeboksen ved å løfte den tilbake i bunnen av grillsylindren, skyve askeboksen mot spennen, og deretter feste askebokskroken med spennlåsen.

ADVARSEL: Denne funksjonen kan bare brukes når grillen er avkjølt.



2. BEHOLDERENHET

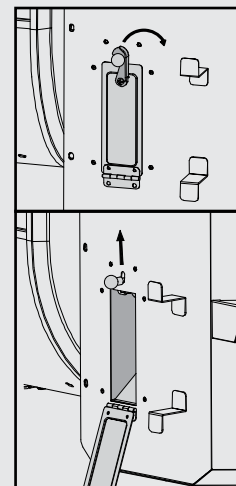
- Det anbefales å fjerne alle pellets fra mateskruesystemet hvis grillen skal stå ubrukt over lengre tid. Dette gjør du enkelt ved å kjøre grillen med tom beholder til alle pellets er tømt fra mateskruerøret.
- Kontroller og fjern eventuelle rester fra ventilen i vifteinntaket, som du finner i bunnen av beholderen. Når tilgangspanelet på beholderen er fjernet (se **diagrammet over elektriske ledninger**), tørker du forsiktig av eventuelle fettoppbygninger direkte på viftebladene. Dette sørger for tilstrekkelig luftstrøm til matesystemet.

FUNKSJON FOR RENGJØRING AV BEHOLDER

Beholderen har en rengjøringsfunksjon som muliggjør enkel rengjøring og muligheten til å skifte til trepellettbrensel med forskjellig smak. Følg disse trinnene for å tømme:

1. Finn utrenskningsdøren og dørkroken på baksiden av beholderen.
2. Drei dørkroken (øverst) til høyre slik at den løsnes fra utløseren. Plasser et rent, tomt spann under døren, og la døren senke seg. Løft utløseren for å åpne platen til nedfallssjakten, slik at pelletsbeholderen tømmes.
3. Når den er tom, skyver du platen til nedfallssjakten tilbake på plass for hånd. Den vil låses på plass. Lukk rengjøringsdøren og vri dørkroken tilbake på utløseren for å feste den.

MERK: Bruk en børste med langt håndtak eller en liten støvsuger til å fjerne overflødig pellets, sagflis og støv og rengjøre beholderskjermen ordentlig.



3. SONDER

- Knekker eller bretter i sondene kan føre til skade. Et steketermometer som ikke er i bruk, bør ruller opp i en stor, løs spole.
- Selv om både termometeren og steketermometrene er av rustfritt stål, må du ikke legge dem i oppvaskmaskinen eller senke dem i vann. Vannskader på de innvendige ledningene fører til kortslutning i sonden, slik av lesningene blir feil. Hvis en sonde blir skadet, må den byttes ut.

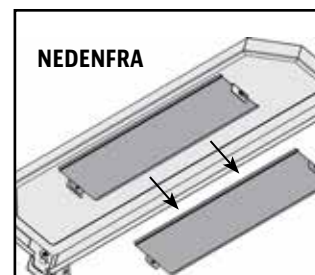
4. INNVENDIGE OVERFLATER

- Det anbefales å rengjøre bålpannen når du har brukt den et par ganger. Dette sørger for riktig tenning og gjør at du unngår oppbygning av rester eller aske i bålpannen.
- Bruk en grillrengjøringsbørste med langt håndtak til å fjerne eventuelle matrester eller oppbygninger fra stekeristene. Anbefalt fremgangsmåte er å gjøre dette mens de fortsatt er varme fra tilberedningen. Fettbranner skyldes for mange rester som faller ned på tilberedningskomponentene på grillen. Rengjør innsiden av grillen jevnlig. Hvis du opplever en fettbrann, må du holde grilllokket lukket for å kvele brannen. Hvis brannen ikke slukner raskt, må du forsiktig fjerne maten, slå grillen av og holde lokket lukket til brannen har sluknet helt. Strø på et lett lag av bakepulver, hvis du har det tilgjengelig.
- Kontroller fettpannen ofte, og rengjør den ved behov. Tenk på hvilken type matlaging du driver med.

VIKTIG: På grunn av sterk varme må du ikke dekke flammegrillen eller sondene med aluminiumsfolie.

5. UTVENDIGE OVERFLATER

- Fronthyllen har et avtagbart panel på undersiden for enkel rengjøring. Skyv støtteplaten nedenfra mot hovedsylinderen for å fjerne den. Rengjør og skyv den deretter tilbake på plass.
- Tørk av grillen hver gang du har brukt den. Bruk varmt såpevann til å fjerne fett. Ikke bruk et rengjøringsmiddel for stekeovn, slipende rengjøringsmidler eller slipende rengjøringsputer på utvendige grilloverflater. **Lakkerte overflater er ikke dekket av garantien, men er en del av generelt vedlikehold og stell.** Hvis lakken blir oppripet, slitt eller flasser, kan alle lakkerte overflater etterbehandles med varm grillakk.
- Bruk et grilltrekk til å beskytte grillen helt. Et trekk er den beste beskyttelsen mot værforhold og forurensning i luften. Når enheten ikke er i bruk eller skal oppbevares over lang tid, oppbevarer du den under et trekk i en garasje eller bod.



TIDSTABELL FOR RENGJØRINGSFREKVENNS (NORMAL BRUK)

ELEMENT	RENGJØRINGSFREKVENNS	RENGJØRINGSMETODE
Bunnen av hovedgrillen	Etter hver 5.–6. grilløkt	Kost ut eller støvsug overflødige rester
Bålpanne	Etter hver 2.–3. grilløkt	Kost ut eller støvsug overflødige rester
Stekerister	Etter hver grilløkt	Brenn av overflødigheter, messingtrådbørste
Flammegrill	Etter hver 5.–6. grilløkt	Skrap hovedplaten med skyveplate, ikke vask ren
Hyller	Etter hver grilløkt	Skurepute og såpevann
Fettpanne	Etter hver grilløkt	Skurepute og såpevann
Matesystem	Når pelletsposen er tom	La mateskruen skyvet ut sagflis til beholderen er tom
Elektriske komponenter i beholderen	Én gang i året	Tørk støv innvendig, tørk av viftebladene med såpevann
Luftinntaksventil	Etter hver 5.–6. grilløkt	Tørk støv, skurepute og såpevann
Grillsonde	Etter hver 2.–3. grilløkt	Skurepute og såpevann

TIPS OG TEKNIKKER

Følg disse nyttige tipsene og teknikkene fra eiere av Pit Boss®-enheter, våre ansatte og kunder som deg, for å gjøre deg bedre kjent med grillen:

1. MATTRYGGHET

- Holdt alt rent på kjøkkenet og i tilberedningsområdet. Bruk andre tallerkener og redskaper til det ferdige kjøttet enn det du brukte til å tilberede eller flytte det rå kjøttet ut til grillen med. Dette hindrer kryssforurensning av bakterier. Hver enkelt marinade eller glassering må ha sitt eget redskap.
- Hold den varme maten varm (over 60 °C / 140 °F), og hold den kalde maten kald (under 3 °C / 37 °F).
- En marinade må aldri oppbevares for senere bruk. Hvis du også skal servere den til kjøttet, må du passe på å koke den opp før servering.
- Tilberedt mat må ikke stå ute i varmen i over én time. Ikke la kald mat stå uten kjøling i over to timer.
- Tin og mariner kjøtt gjennom kjøling. Ikke tin kjøtt i romtemperatur eller på kjøkkenbenken. Bakterier kan vokse og formere seg raskt i varm, fuktig mat. Vask hendene grundig med varmt såpevann før du begynner å lage mat, og etter at du har håndtert ferskt kjøtt, fisk og fjærkre.

2. FORBEREDELSE TIL TILBEREDNING

- Gjør alt klart, også kalt **Mise en Place**. Det betyr at du henter oppskriften, brensel, tilbehør, redskaper og alle ingrediensene du trenger ved grillen, før du begynner å tilberede maten. Les også hele oppskriften fra start til slutt før du tenner grillen.
- En grillmatte på gulvet er veldig nyttig. Den kan beskytte terrassegulvet, hellene eller flisene mot mulige fettflekker eller utilsiktet søl som skyldes uhell ved håndteringen av matvarene og spruting fra tilberedningen.

3. TIPS OG TEKNIKKER FOR GRILLING

- Du kan tilføre mer røyksmak ved å tilberede det lenger på lavere temperatur (også kalt **lavt og sakte**). Fibrene i kjøttet lukkes når den innvendige temperaturen når 49 °C / 120 °F. Glassering, eller fuktighetstilføring, er lurt for å unngå at kjøttet blir tørt.
- Ha lokket på når du steker kjøttet. Bruk alltid et steketermometer til å fastsette den innvendige temperaturen i maten du tilbereder. Røyking av mat med pellets av hardtre gjør at kjøtt og fjærkre blir rosa. Dette rosa båndet (etter tilberedning) kalles en **røykering** og er blir satt svært stor pris på av utendørskokker.
- Det er best å påføre sukkerbaserte sauser mot slutten av tilberedningen for å unngå at kjøttet blir brent, og for å unngå oppflaming.
- La det være et åpent område mellom maten og ytterkantene av sylindere for riktig varmeflyt. Hvis maten ligger tett på grillen, tar tilberedningen lengre tid.
- Bruk en tang med langt håndtak til å snu kjøttet, og bruk en stekespade til å snu hamburgere og fisk. Hvis du bruker et redskap med tagger, for eksempel en gaffel, lager du hull i kjøttet som gjør at saften renner ut.
- Mat i dype gryter krever lengre tilberedningstid enn et lavt stekebrett.
- Det er lurt å legge ferdig tilberedt mat på en varm tallerken, slik at maten holder seg varm. Rødt kjøtt, for eksempel biffer og steiker, kan med fordel hvile noen minutter før servering. Dette gjør at saften som ble ført mot overflaten av varmen, trekker seg tilbake til midten av kjøttet og tilfører mer smak.

FEILSØKING

Riktig rengjøring, vedlikehold og bruk av rent, tørt brensel av god kvalitet forhindrer vanlige driftsproblemer. Når Pit Boss®-grillen fungerer dårlig, eller brukes sjelden, kan feilsøkingstipsene nedenfor være nyttige. Du finner ofte stilte spørsmål (FAQ) på www.pitboss-grills.com. Du kan også kontakte den lokale autoriserte Pit Boss®-forhandleren eller kundeservice hvis du trenger hjelp.

ADVARSEL: Koble alltid fra den elektriske ledningen før du åpner grillen for inspeksjon, rengjøring, vedlikehold eller service. Pass på at grillen er helt nedkjølt, slik at du unngår skader.

PROBLEM	ÅRSAK	LØSNING
Ingen lys på kontrollpanelet	Ikke koblet til strømkilde	Sørg for at enheten er koblet til en fungerende strømkilde. Nullstill bryteren. Sørg for at GFCL er minimum 10 A (se diagrammet over elektriske ledninger for tilgang til elektriske komponenter). Kontroller at alle ledningstilkoblinger er faste og tørre.
	Sikring gått på kontrollpanelet	Fjern tilgangspanelet på beholderen (se diagrammet over elektriske ledninger for oversikt), trykk inn plastflikene som holder kontrollpanelet på plass, og trekk kontrolleren forsiktig inn i beholderen for å frigjøre kontrolleren. Kontroller om sikringen har en ødelagt ledning, eller om ledningen har blitt svart. Hvis svaret er ja, må sikringen byttes ut manuelt.
	Kontrollpanelet fungerer ikke	Kontrollpanelet må byttes ut. Kontakt kundeservice for reservedeler.
Brennkammeret antennes ikke	Mateskruen er ikke klargjort	Før enheten brukes for første gang eller hver gang beholderen tømmes helt, må mateskruen fylles for at pellets skal fylle mateskruen. Hvis den ikke fylles, blir tenneren tidsavbrutt før pelletseten når brennkammeret. Følg prosedyren for klargjøring av beholderen .
	Mateskruemotoren står fast	Ta ut tilberedningskomponentene fra hovedsylinderen. Trykk på av/på-knappen for å slå enheten på, og inspiser matesystemet. Kontroller visuelt at mateskruen slipper pellets ned i brennkammeret. Hvis det ikke fungerer som det skal, ringer du kundeservice for å få hjelp eller en reservedel.
	Feil i tenner	Ta ut tilberedningskomponentene fra hovedsylinderen. Trykk på av/på-knappen for å slå enheten på, og inspiser tenneren. Kontroller visuelt at tenneren fungerer ved å holde hånden over brennkammeret og kjenne om det er varmt der. Kontroller visuelt at tenneren strekker seg ca. 13 mm / 0,5 tomme inn i brennkammeret. Hvis det ikke fungerer som det skal, ringer du kundeservice for å få hjelp eller en reservedel.
Avlesningen av faktisk temperatur vil ikke justere seg	Temperaturmåleren er skitten	Følg instruksjonene for stell og vedlikehold.
	Temperaturmåleren er ødelagt	Temperaturmåleren må skiftes ut. Kontakt kundeservice.
Grillen oppnår ikke stabil temperatur eller klarer ikke å opprettholde den	Utilstrekkelig luftstrøm gjennom brennkammeret	Kontroller om det har hopet seg opp aske i brennkammeret eller om det er hindringer i det. Følg instruksjonene for stell og vedlikehold hvis det har hopet seg opp aske. Kontroller viften. Kontroller at den fungerer som den skal, og at luftinntaket ikke er blokkert. Følg instruksjonene for stell og vedlikehold hvis den er skitten. Kontroller mateskruemotoren for å bekrefte at den fungerer, og pass på at det ikke er noen blokkering i mateskruerøret. Når alle trinnene ovenfor er gjennomført, starter du grillen, setter temperaturen til SMOKE og venter i ti minutter. Kontroller at flammen som produseres, er klar og levende.
	Mangel på brensel, dårlig kvalitet på brenselet, hindring i matesystemet	Kontroller at det er nok brensel i beholderen, og fyll på hvis det er lite. Hvis kvaliteten på trepelletsen er dårlig, eller hvis pelletseten er for lang, kan det føre til hindringer i matesystemet. Ta ut pelletseten, og følg instruksjonene for stell og vedlikehold .
	Temperaturmåler	Kontroller tilstanden til temperaturmåleren. Følg instruksjonene for stell og vedlikehold hvis den er skitten. Kontakt kundeservice for reservedeler hvis den er skadet.

NO

NORSK

Grillen produserer for mye eller misfarget røyk	Fettoppbygning	Følg instruksjonene for stell og vedlikehold .
	Kvalitet på trepellets	Fjern fuktige trepellets fra beholderen. Følg instruksjonene for stell og vedlikehold for å tømme den. Erstatt med tørre trepellets.
	Brennkammeret er blokkert	Fjern fuktige trepellets fra brennkammeret. Følg prosedyren for klargjøring av beholderen .
	Utilstrekkelig luftinntak for vifte	Kontroller viften. Kontroller at den fungerer som den skal, og at luftinntaket ikke er blokkert. Følg instruksjonene for stell og vedlikehold hvis den er skitten.
Hyppig oppflamming	Steketemperatur	Forsøk å tilberede på lavere temperatur. Fett har ikke noe flammepunkt. Hold temperaturen under 176 °C / 350 °F når du tilbereder mat med mye fett.
	Fettoppbygning i tilberedningskomponenter	Følg instruksjonene for stell og vedlikehold .
Feilkoden «ErP»	Enheten ble ikke slått av på riktig måte forrige gang den var koblet til strøm	Sikkerhetsfunksjonen forhindrer automatisk omstart. Trykk og hold inne strømknappen i tre sekunder for å slå på enheten, vent i to minutter, og trykk deretter på strømknappen igjen for å slå på enheten. Vri til ønsket temperatur. Kontakt kundeservice hvis feilkoden fortsatt vises.
	Strømbrudd mens enheten var i bruk	
Feilkoden «ErH»	Enheten er overopphetet, kanskje på grunn av fettbrann eller for mye brensel	Trykk og hold inne strømknappen i tre sekunder for å slå av enheten og la grillen kjøle seg ned. Følg instruksjonene for stell og vedlikehold. Etter vedlikehold, fjern pellets og kontroller plasseringen av alle komponentdelene. Når grillen er avkjølt, trykk på strømknappen for å slå på enheten. Velg deretter ønsket temperatur. Kontakt kundeservice hvis feilkoden fortsatt vises.
Feilkoden «ErL»	Grillen klarer ikke å utføre oppstartssyklusen	Sjekk at grillkomponentene er riktig plassert. Kontroller at det er tilstrekkelig med brensel i beholderen, eller sjekk om det finnes en hindring i matesystemet. Ta ut pelletsen, og følg instruksjonene for stell og vedlikehold . Sjekk termometeret. Bekreft at den faktiske temperaturen er korrekt og nøyaktig. Følg instruksjonene for stell og vedlikehold hvis den er skitten. Sjekk posisjonen til tenningen og at den varmes opp ordentlig. Ved ekstrem kulde kan grillen trenge en ny start. Slå grillen av, vent, og slå den så på igjen. Kontroller viften. Forsikre deg om at den fungerer som den skal. Følg instruksjonene for stell og vedlikehold hvis den er skitten.
	Grillen vil ikke holde seg tent	
Blinkende «PELLET»-feilkode	Mangel på brensel, dårlig kvalitet på brenselet, mateskruemotoren står fast	Kontroller at det er nok brensel i beholderen, og fyll på hvis det er lite. Hvis kvaliteten på trepelletsen er dårlig, eller hvis pelletsen er for lang, kan det føre til hindringer i matesystemet. Ta ut pelletsen, og følg instruksjonene for stell og vedlikehold .
Blinkende «IGNITOR»-feilkode	Tenneren fungerer ikke som den skal, kobler seg ikke til	Ta ut tilberedningskomponentene fra hovedsylinderen. Trykk på av/på-knappen for å slå enheten på, og inspiser tenneren. Kontroller visuelt at tenneren fungerer ved å holde hånden over brennristen og kjenne om det er varmt der. Bekreft visuelt at tenneren er innrettet med hullet i brennristen, og åpne for å antenne pelletsene. Hvis det ikke fungerer som det skal, ringer du kundeservice for å få hjelp eller en reservedel.
	Feil i tenner	Tenneren må skiftes ut. Kontakt kundeservice for reservedeler.
Blinkende «AUGER»-feilkode	Mateskruen er ikke klargjort	Før enheten brukes for første gang eller hver gang beholderen tømmes helt, må mateskruen klargjøres for at pellets skal fylle brennkammeret. Hvis det ikke klargjøres, blir tenneren tidsavbrutt før pelletsen antennes. Følg prosedyren for klargjøring av beholderen .
	Mateskruemotoren står fast, kobler seg ikke til	Ta ut tilberedningskomponentene fra hovedsylinderen. Trykk på av/på-knappen for å slå enheten på, og inspiser matesystemet. Kontroller visuelt at mateskruen slipper pellets ned i brennkammeret. Hvis det ikke fungerer som det skal, ringer du kundeservice for å få hjelp eller en reservedel.
Blinkende «FAN»-feilkode	Viften fungerer ikke som den skal, kobler seg ikke til	Kontroller viften. Kontroller at den fungerer som den skal, og at luftinntaket ikke er blokkert. Fjern tilgangspanelet på beholderen (se diagrammet over elektriske ledninger), og se etter skader på ledningene til viften. Følg instruksjonene for stell og vedlikehold hvis viftebladene er skitne.

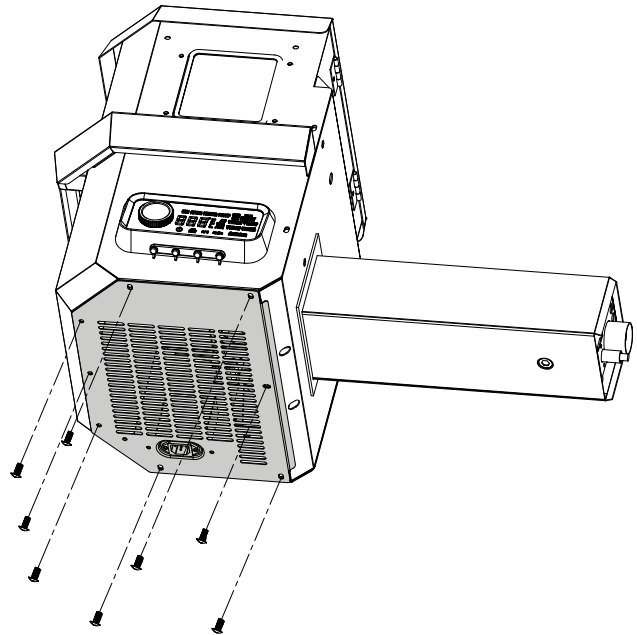
DIAGRAM OVER ELEKTRISKE LEDNINGER

Det digitale kontrollpanelsystemet består av intrikat og verdifull teknologi. Du kan beskytte det mot strømstøt og elektrisk kortslutning ved å sjekke ledningsdiagrammet nedenfor og passe på at strømkilden du bruker, er tilstrekkelig for bruk av enheten.

PB – ELEKTRISKE KRAV
220-240 V, 50 Hz, 275 W, JORDET PLUGG

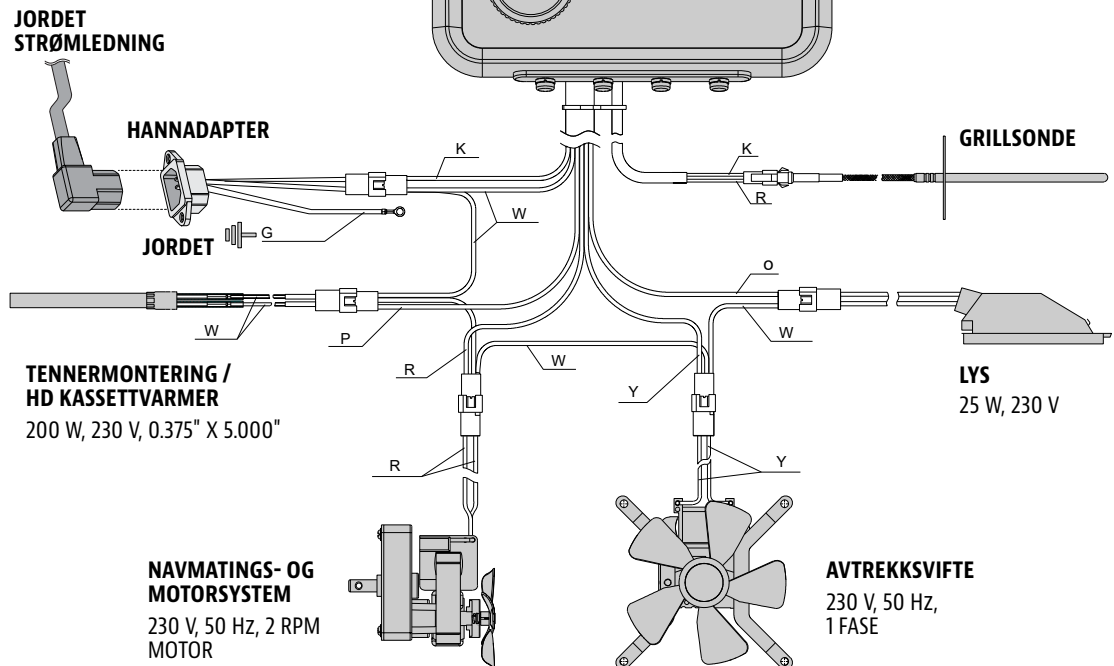
MERK: Elektriske komponenter, som har gjennomgått produksikkerhetstesting og sertifiseringsservice, overholder en testtoleranse på ± 5-10 prosent.

FINN OG LØSNE DE ÅTTE SKRUENE PÅ TILGANGSPANELET PÅ UNDERSIDEN AV ENHETEN



INNGANGSVERDI FOR BRENSSEL:
2,0 KG/T
(4,4 PUND/T)

KONTROLLPANEL

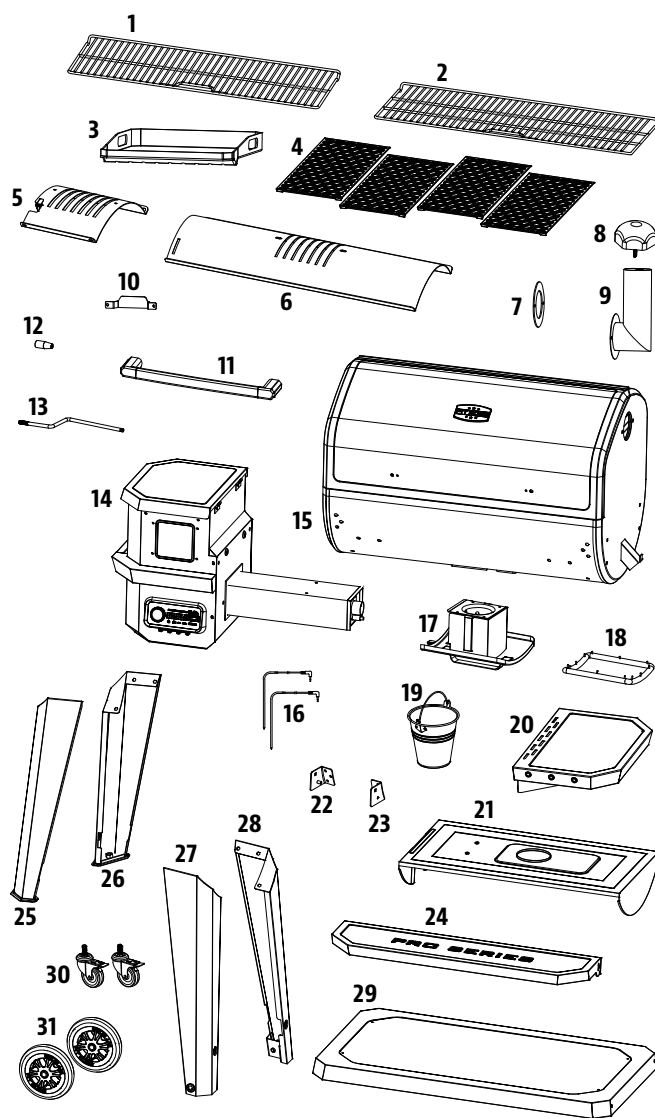


INDEKS

K: SVART
W: HVIT
R: RØD
Y: GUL
P: LILLA
O: ORANSJE
G: GRØNN

RESERVEDELER FOR GRILL

Delenr.	Beskrivelse
1	Øvre stekestativ (x1)
2	Midtre stekestativ (x1)
3	Steketakke (x1)
4	Stekerister (x4)
5	Skyveplate for flammegrill (x1)
6	Hovedplate for flammegrill (x1)
7	Pipepakning (x1)
8	Pipehette (x1)
9	Pipestabel (x1)
10	Opphengsbrakett (x1)
11	Lokkhåndtak (x1)
12	Håndtak til justeringsstang for flammegrillen (x1)
13	Justeringsstang for flammegrillen (x1)
14	Beholderenhet (x1)
15	Hovedsyylinder (x1)
16	Stekermometer (x2)
17	Askeboks (x1)
18	Askebokspakning (x1)
19	Fettpanne (x1)
20	Sidehylle (x1)
21	Sprederplate (x1)
22	Brakett for fronthylle / venstre (x1)
23	Brakett for fronthylle / høyre (x1)
24	Fronthylle (x1)
25	Venstre støttebein – foran (x1)
26	Venstre støttebein – bak (x1)
27	Høyre støttebein – foran (x1)
28	Høyre støttebein – bak (x1)
29	Bunnhylle (x1)
30	Låsehjul (x2)
31	Hjul (x2)
A	Skrue (x28)
B	Skive (x24)
C	Låseskive (x22)
D	Verktøykrok (x3)
E	Hjulsplint (x2)
F	Hjulskiver (x2)
G	Hjulakselpinner (x2)
H	Skrue (x2)
I	Mutter (x2)
J	Foring (x2)



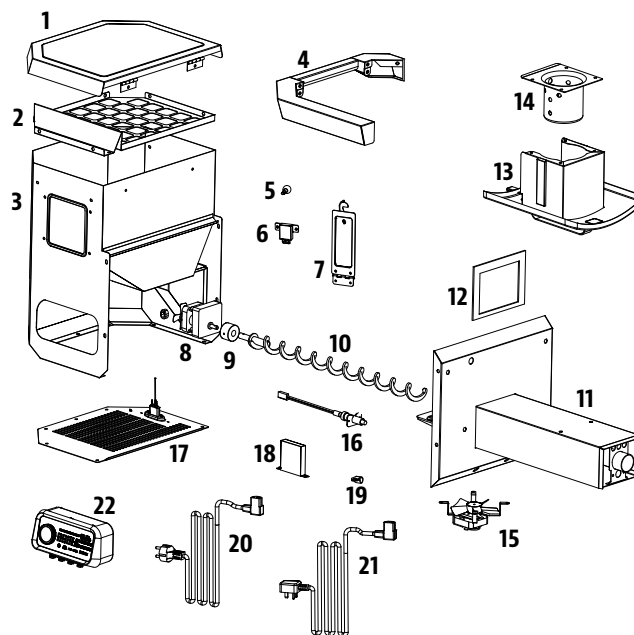
MERK: På grunn av kontinuerlig produktutvikling kan delene endres uten forvarsel.

NO

NORSK

RESERVEDELER FOR BEHOLDER

Delenr.	Beskrivelse
1	Beholderlokk (x1)
2	Sikkerhetsskjerm for beholder (x1)
3	Beholderhus (x1)
4	Beholderhåndtak (x1)
5	Låsehåndtak til nedfallssjakt (x1)
6	Nedfallssjakenhet (x1)
7	Dør til nedfallssjakt (x1)
8	Mateskruemotor (x1)
9	Nylonforing (x1)
10	Mateskrueenhet (x1)
11	Mateskruarhus (x1)
12	Pakning for beholderhus (x1)
13	Askeboks (x1)
14	Bålpanne (x1)
15	Forbrenningsvifte (x1)
16	Tenner (x1)
17	Tilgangspanel på beholder (x1)
18	Vanntett deksel for strømledning (x1)
19	Strømledningsklips (x1)
20	Strømledning – F-plugg (x1)
21	Strømledning – G-plugg (x1)
22	Kontrollpanel (x1)



GARANTI

VILKÅR

Alle griller med trepellets fra Pit Boss®, produsert av Dansons, leveres med en begrenset garanti fra salgsdatoen fra den opprinnelige eieren. Garantidekningen starter på den opprinnelige kjøpsdatoen, og kjøpsbevis med dato, eller en kopi av den opprinnelige salgskvitteringen, kreves for at garantien skal være gyldig. Kunder må betale avgifter for deler, forsendelse og håndtering hvis de ikke kan levere kjøpsbevis, eller hvis garantien har utløpt. Dansons gir en garanti på fem (5) år for defekter og utførelse for alle deler, og fem (5) år for elektriske komponenter. Dansons garanterer at alle deler er uten defekter i material og utførelse, så lenge den opprinnelige kjøperen eier og bruker enheten. Garantien gjelder ikke skader som skyldes slitasje, for eksempel riper, bulker, avskallinger eller mindre kosmetiske sprekker. Slike estetiske endringer i grillen har ikke innvirkning på ytelsen. Reparasjon eller erstatning av deler skjer ikke etter den begrensede garantien på fem (5) år fra kjøpsdatoen.

Dansons' forpliktelser i garantiperioden er begrenset til å levere en erstatningsdel for defekte og/eller sviktende komponenter. Så lenge garantien fortsatt er gyldig, krever ikke Danson betaling for reparasjon eller erstatning av deler som returneres, med forhåndsbetalt frakt, hvis Dansons undersøker dem og anser dem som defekte. Dansons har ikke ansvaret for transportavgifter, arbeidskostnader eller eksportgebyrer. Med unntak av det som er angitt i disse garantivilkårene, skal reparasjon eller erstatning av deler med metoden og innenfor tidsrammen som er nevnt her, regnes som at Danson har oppfylt alle utledede forpliktelser og ansvarsområder overfor deg.

Dansons tar alle forholdsregler for å bruke materialer som hindrer rust. Selv med disse tiltakene kan det hende at det beskyttende belegget blir skadet av ulike stoffer og forhold som er utenfor Dansons' kontroll. Høy temperatur, mye fuktighet, klor, industriell røyk, gjødsel, sprøytemidler for plen og salt er noen av stoffene som kan ha innvirkning på metallbelegg. Garantien dekker derfor ikke rust eller oksidering, med mindre grillkomponenten mister strukturell integritet. Hvis noen av forholdene ovenfor skulle oppstå, kan du se delen om stell og vedlikehold for å forlenge enhetens levetid. Dansons anbefaler bruk av et grilltrekk når grillen ikke er i bruk. Denne garantien er basert på vanlig hjemmebruk og vedlikehold av grillen, og dekningen av den begrensede garantien gjelder ikke for en grill som brukes i kommersielle sammenhenger.

UNNTAK

Det finnes ingen skriftlig eller indirekte ytelsesgaranti for Pit Boss®-griller, ettersom produsenten ikke har noen kontroll over monteringen, bruken, rengjøringen, vedlikeholdet eller typen brensel som brukes. Denne garantien gjelder ikke, og Dansons tar ikke ansvaret, hvis enheten ikke er montert, brukt, rengjort og vedlikeholdt i nøy samsvar med denne brukerhåndboken. Bruk av gass som ikke er beskrevet i denne håndboken, kan gjøre garantien ugyldig. Garantien dekker ikke skader eller brudd som skyldes misbruk, feil håndtering eller modifikasjoner. Verken Dansons eller den autoriserte Pit Boss®-forhandleren har noe juridisk ansvar eller andre typer ansvar for tilfeldige skader eller følgeskader på eiendom eller personer som oppstår på grunn av bruk av dette produktet. Uansett om det legges inn et krav mot Dansons som er basert på brudd på denne garantien eller andre typer garantier som er uttrykt eller underforstått i lover og regler, har produsenten ikke noe ansvar for eventuelle spesielle skader, indirekte skader, følgeskader eller andre typer skader av hvilken som helst art utover det opprinnelige kjøpet av dette produktet. Alle garantier fra produsenten er angitt her, og det kan ikke legges inn krav mot produsenten om andre garantier eller fremstillinger. Enkelte delstater eller land tillater ikke utelukkelse eller begrensning av tilfeldige skader eller følgeskader, eller begrensninger av indirekte garantier, så begrensningene eller utelukkelsene i denne begrensede garantien gjelder kanskje ikke for deg. Denne begrensede garantien gir deg spesifikke juridiske rettigheter, og du kan ha andre rettigheter, som varierer i ulike delstater og land.

BESTILLE RESERVEDELER

Hvis du vil bestille reservedeler, kontakter du den lokale Pit Boss®-forhandleren eller går til nettbutikken vår på www.pitboss-grills.com

KONTAKTE KUNDESERVICE

Hvis du har spørsmål eller kommentarer, kan du kontakte kundeservice på: www.pitboss-grills.com

GARANTISERVICE

Kontakt din nærmeste Pit Boss®-forhandler for reparasjon eller reservedeler. Dansons krever kjøpsbevis for å etablere et garantikrav. Behold derfor den opprinnelige salgskvitteringen eller fakturaen for fremtidig referanse. Serie- og modellnummeret for Pit Boss®-enheten er plassert på baksiden av beholderen. Noter deg numrene nedenfor, ettersom etiketten kan bli slitt og uleselig.

MODELL

SERIENUMMER

KJØPSDATO

AUTORISERT FORHANDLER

NO

NORSK

INFORMACJE DOTYCZĄCE BEZPIECZEŃSTWA

GŁÓWNYMI PRZYCZYNAMI POŻARÓW URZĄDZEŃ ELEKTRYCZNYCH JEST ZANIEDBANIE CZYNNOŚCI KONSERWACYJNYCH ORAZ NIEZACHOWANIE ODPOWIEDNIEJ ODLEGŁOŚCI OD MATERIAŁÓW ZAPALNYCH. Z TEGO PRODUKTU NALEŻY KORZYSTAĆ ZGODNIE Z ZALECENIAMI PODANYMI W NINIEJSZEJ INSTRUKCJI.

Przed przystąpieniem do montażu, obsługi i instalacji urządzenia należy dokładnie zapoznać się z całą niniejszą instrukcją. Zapewni to przyjemną i bezproblemową obsługę nowego grilla na pellet drzewny. Zalecamy także zachowanie niniejszej instrukcji do wykorzystania w przyszłości.

ZAGROŻENIA I OSTRZEŻENIA

W celu uzyskania stosownych pozwoleń, informacji o wymaganiach i ograniczeniach instalacyjnych, np. w przypadku instalacji grilla na powierzchni łatwopalnej, wymagań inspekcyjnych lub nawet informacji o możliwości użytkowania w danym rejonie, musisz skontaktować się z administracją budynku, lokalnym inspektorem nadzoru budowlanego, strażą pożarną lub innym uprawnionym organem.

1. Konieczne jest zachowanie minimalnej odległości 914 mm (36 cali) pomiędzy elementami zapalnymi a bokami grilla oraz 914 mm (36 cali) pomiędzy tylną częścią grilla a elementami zapalnymi. **Nie instaluj urządzenia na podłożu łatwopalnym lub powierzchni chronionej warstwami łatwopalnymi bez uzyskania odpowiednich zezwoleń od uprawnionych do tego organów.** Nie korzystaj z tego urządzenia w pomieszczeniach lub na obszarach zamkniętych i niewentylowanych, wewnątrz domów, pojazdów, namiotów, garaży. Tego urządzenia na pellet drzewny nie można umieszczać pod łatwopalnym sufitem podwieszanym lub pod okapem dachu. Przechowuj swojego grilla na obszarze wolnym od materiałów zapalnych, benzyny i innych łatwopalnych oparów oraz cieczy.

W przypadku wystąpienia pożaru wywołanego kontaktem z tłuszczem, wyłącz grill i pozostaw jego pokrywę zamkniętą aż do ugaszenia ognia. Odłącz przewód zasilający. Nie polewaj urządzenia wodą. Nie próbuj tłumić ognia. Zaleca się przechowywać w pobliżu gaśnicę zatwierdzoną dla wielu klas pożarów (klasa ABC). W przypadku wystąpienia pożaru niekontrolowanego, wezwij straż pożarną.

2. Chroń przewody elektryczne i paliwo przed kontaktem z gorącymi powierzchniami. Nie korzystaj z grilla podczas deszczu lub w pobliżu wody. Jeśli przewód zasilający jest uszkodzony, musi zostać wymieniony przez producenta, jego serwisanta lub osoby o podobnych kwalifikacjach, aby uniknąć zagrożenia.
3. Po okresie dłuższego przechowywania lub nieużywania urządzenia sprawdź, czy komora spalania nie jest uszkodzona, w zbiorniku nie ma ciał obcych, a w pobliżu wlotu wentylatora lub komina występuje swobodny przepływ powietrza. Wyczyść urządzenie przed użyciem. W celu przedłużenia żywotności urządzenia wymagana jest regularna pielęgnacja i konserwacja. **Jeżeli w sezonie deszczowym lub w okresie dużej wilgotności powietrza grill przechowywany jest na zewnątrz, należy zadbać o to, aby woda nie dostała się do zbiornika.** W wyniku kontaktu z wodą lub w warunkach dużej wilgotności pellet drzewny pęcznieje, ulega rozkładowi i może spowodować zatkanie układu doprowadzającego. Zawsze odłączaj urządzenie od zasilania przed przystąpieniem do jakichkolwiek działań serwisowych lub konserwacyjnych.

Nie transportuj grilla podczas jego użytkowania lub gdy jest gorący. Przed przeniesieniem urządzenia upewnij się, że ogień jest w pełni zgaszony, a powierzchnia grilla jest całkowicie zimna w dotyku.

4. Podczas obsługi grilla zaleca się stosowanie żaroodpornych rękawic do grillowania. Nie korzystaj z akcesoriów, które nie są przeznaczone do użytku z tym urządzeniem. Nie umieszczaj pokrywy grilla ani żadnych łatwopalnych materiałów w schowku pod grilllem.

5. Aby chronić palce, odzież lub inne przedmioty przed kontaktem z układem doprowadzającym podajnika ślimakowego, urządzenie wyposażone jest w metalową osłonę zabezpieczającą, przymocowaną do wnętrza zbiornika. Osłony nie można usuwać, o ile konsultant działo obsługi klienta lub autoryzowany sprzedawca nie zalecą inaczej.

To urządzenie może być obsługiwane przez dzieci od lat 8 oraz osoby o obniżonej sprawności ruchowej, sensorycznej lub intelektualnej bądź też osoby bez odpowiedniego doświadczenia i wiedzy, o ile są one bezpośrednio nadzorowane lub instruowane w zakresie bezpiecznego korzystania ze sprzętu i świadome potencjalnych zagrożeń. Dzieci nie powinny bawić się urządzeniem. Dzieci nie mogą czyścić ani konserwować urządzenia bez nadzoru.

6. Części grilla mogą mocno się nagrzewać i powodować poważne obrażenia. Podczas obsługi urządzenia dzieci oraz zwierzęta nie powinny znajdować się w pobliżu.
7. Nie powiększaj otworów zapalnika lub komór spalania. Niezastosowanie się do tego ostrzeżenia może doprowadzić do pożaru i obrażeń ciała oraz unieważnić gwarancję.
8. Niektóre krawędzie lub elementy produktu mogą być ostre. Styczność może skutkować zranieniem. Zachowaj ostrożność podczas korzystania z urządzenia.

USUWANIE POPIOŁU

Popiół należy umieścić w metalowym pojemniku ze szczelną pokrywą. Zamknięty pojemnik z popiołem należy umieścić na niepalnej podłodze lub na ziemi, z dala od wszystkich materiałów palnych, do czasu ostatecznego usunięcia. Gdy popiół ma być usunięty przez zakopanie w ziemi lub zutylizowany na miejscu w inny sposób, należy go przechowywać w zamkniętym pojemniku do czasu całkowitego ostygnięcia.

PELLET DRZEWNY

To urządzenie na pellet zostało skonstruowane i zatwierdzone do wyłącznego użytku z granulowanym, w pełni naturalnym paliwem drzewnym. Spalanie w tym urządzeniu innego paliwa spowoduje utratę gwarancji i niezachowanie standardów bezpieczeństwa. Konieczne jest używanie wyłącznie w pełni naturalnego pelletu drzewnego, przeznaczonego do spalania w grillach na pellet. Nie należy stosować paliwa z domieszkami. Pellet drzewny jest bardzo wrażliwy na wilgoć i zawsze powinien być przechowywany w szczelnym pojemniku. Jeśli grill nie jest użytkowany przez dłuższy czas, zalecamy usunięcie całego pelletu ze zbiornika i podajnika ślimakowego, aby nie dopuścić do ich zapchania. Średnia wartość opałowa pelletu wynosi 8000–8770 BTU/LB, zawartość popiołu <1%.

Nie należy stosować spirytusu, benzyny, płynu do zapalniczek ani nafty do rozpalania lub wzniesienia ognia pod grillem. Konieczne jest przechowywanie takich płynów z dala od uruchomionego urządzenia.

W momencie druku niniejszej instrukcji nie istnieje żaden standard przemysłowy dla pelletu drzewnego do grilla, jednakże w przypadku większości pelearki stosowane są te same standardy, co do produkcji pelletu drzewnego na użytek domowy. Więcej informacji można uzyskać pod adresem www.pelletheat.org lub wyszukując *Pellet Fuel Institute*.

Skontaktuj się z lokalnym sprzedawcą, by uzyskać informacje o jakości pelletu dostępnego w okolicy oraz poznać jego opinię o markach. Ze względu na brak kontroli nad jakością stosowanego pelletu i zwilgocenia pelletu nie ponosimy żadnej odpowiedzialności za szkody spowodowane niską jakością paliwa.

KREOZOT

Kreozot lub inaczej sadza to substancja podobna do smoły. Podczas spalania wydziela czarny dym oraz pozostawia osad, który także ma barwę czarną. Sadza lub kreozot formuje się, gdy urządzenie użytkowane jest nieprawidłowo, czyli w przypadku: zablokowania wentylatora powietrza do spalania, braku dbania o czystość i konserwację komory spalania lub złego stosunku powietrza do paliwa podczas spalania.

Gdy płomień staje się ciemny i czarny od sadzy lub gdy komora spalania jest przepełniona pelletem, korzystanie z urządzenia jest niebezpieczne. Po zapaleniu kreozotu pojawia się niezwykle gorący i niekontrolowany ogień, podobnie jak w przypadku pożaru wywołanego przez tłuszcz. W takim wypadku należy WYŁĄCZYĆ urządzenie, pozostawić do całkowitego ostygnięcia, a następnie ocenić konieczność konserwacji i czyszczenia. Substancje zwykle gromadzą się wzdłuż obszarów ujścia spalin.

Jeżeli w urządzeniu wytworzył się kreozot, należy rozgrzać je w niskiej temperaturze, wyłączyć, a następnie wytrzeć wszystkie powstałe zabrudzenia ręcznikiem. Podobnie jak w przypadku smoły, o wiele łatwiej go wyczyścić, gdy jest ciepły, ponieważ przybiera on wtedy formę płynną.

TLENEK WĘGLA („CICHY ZABÓJCA”)

Tlenek węgla jest bezbarwnym, bezwonny, pozbawionym smaku gazem wytwarzanym w wyniku spalania gazu, drewna, propanu, węgla drzewnego lub innego paliwa. Zmniejsza on zdolność krwi do transportu tlenu. Niski poziom tlenu we krwi może powodować bóle i zawroty głowy, osłabienie, nudności, wymioty, senność, otępienie lub skutkować utratą przytomności bądź też śmiercią. Postępuj zgodnie z poniższymi wytycznymi, aby chronić siebie, rodzinę i inne osoby przed zatruciem w wyniku kontaktu z tym bezbarwnym, bezwonny gazem:

- Należy udać się do lekarza, jeżeli podczas gotowania lub przebywania w bliskiej odległości od urządzenia pojawią się objawy przeziębienia lub grypopodobne. Zatrucie tlenkiem węgla, które można łatwo pomylić z przeziębieniem lub grypą, często stwierdza się zbyt późno.
- Spożywanie alkoholu i zażywanie narkotyków nasila objawy zatrucia.

Tlenek węgla jest szczególnie toksyczny dla matki i dziecka na etapie ciąży, niemowląt, osób starszych, palaczy oraz osób z zaburzeniami krwi lub układu krążenia, takimi jak niedokrwistość lub choroby serca.

STANDARZY BEZPIECZEŃSTWA

Urządzenie spełnia wymagania norm EN 60335-2-102:2016, EN 60335-1:2012 + A11:2014 + A13:2017 + A1: 2019 + A14: 2019 + A2: 2019, EN62233: 2008, EN 55014-1:2017, EN IEC 61000-3-2:2019, EN 61000-3-3:2013+A1:2019, EN 55014-2:2015.



OŚWIADCZENIE O ZGODNOŚCI Z WYTYCZNYMI FCC

To urządzenie jest zgodne z częścią 15 przepisów FCC. Działanie urządzenia musi spełniać dwa warunki: (1) urządzenie nie może powodować szkodliwych zakłóceń oraz (2) musi dopuszczać wszelkie odebrane zakłócenia, w tym zakłócenia mogące powodować niepożądane działanie.



To urządzenie zostało przetestowane i uznane za zgodne z ograniczeniami dla urządzeń cyfrowych klasy B, zgodnie z częścią 15 przepisów FCC. Te ograniczenia mają na celu zapewnienie odpowiedniej ochrony przed szkodliwymi zakłóceniami w instalacjach w budynkach mieszkalnych. Urządzenie generuje, wykorzystuje i emituje promieniowanie radiowe. Jeśli nie zostanie zainstalowane i nie będzie używane zgodnie z instrukcjami, może powodować szkodliwe zakłócenia w komunikacji radiowej. Nie ma jednak gwarancji, że w przypadku danej instalacji zakłócenia nie wystąpią. Jeśli to urządzenie powoduje szkodliwe zakłócenia w odbiorze radia lub telewizji, co można stwierdzić poprzez jego wyłączenie i włączenie, zachęca się użytkowników do podjęcia próby zmniejszenia tych zakłóceń za pomocą jednego lub kilku z następujących środków:

- zmiana orientacji lub umiejscowienia anteny odbiorczej;
- zwiększenie odległości między urządzeniem a odbiornikiem;
- podłączenie urządzenia do gniazdka należącego do innego obwodu elektrycznego niż ten, do którego podłączony jest odbiornik;
- skonsultowanie się ze sprzedawcą lub doświadczonym technikiem radiowo-telewizyjnym w celu uzyskania dodatkowej pomocy.

Przestroga: zmiany lub modyfikacje nieautoryzowane przez stronę odpowiedzialną za zgodność mogą spowodować unieważnienie prawa użytkownika do korzystania z urządzenia.

Nazwa i logo Bluetooth® są zastrzeżonymi znakami towarowymi firmy Bluetooth® SIG, Inc. i firma Espressif używa ich na warunkach licencji. Pozostałe znaki i nazwy handlowe należą do ich odpowiednich właścicieli.



INFORMACJA O PRAWACH AUTORSKICH

Copyright 2021. Wszelkie prawa zastrzeżone. Żadna część niniejszej instrukcji nie może być powielana, przesyłana, przepisywana czy też zapisywana w systemach wyszukiwania, niezależnie od formy lub sposobu wykonania tego typu działań, bez wyraźnej zgody pisemnej

DANSONS EUROPE

11 Rue Galvani Paris, Frankrike 75017

DANSONS NORD-AMERIKA

3411 North 5th Avenue, Suite 500, Phoenix, AZ, USA
85013

KUNDESERVICE

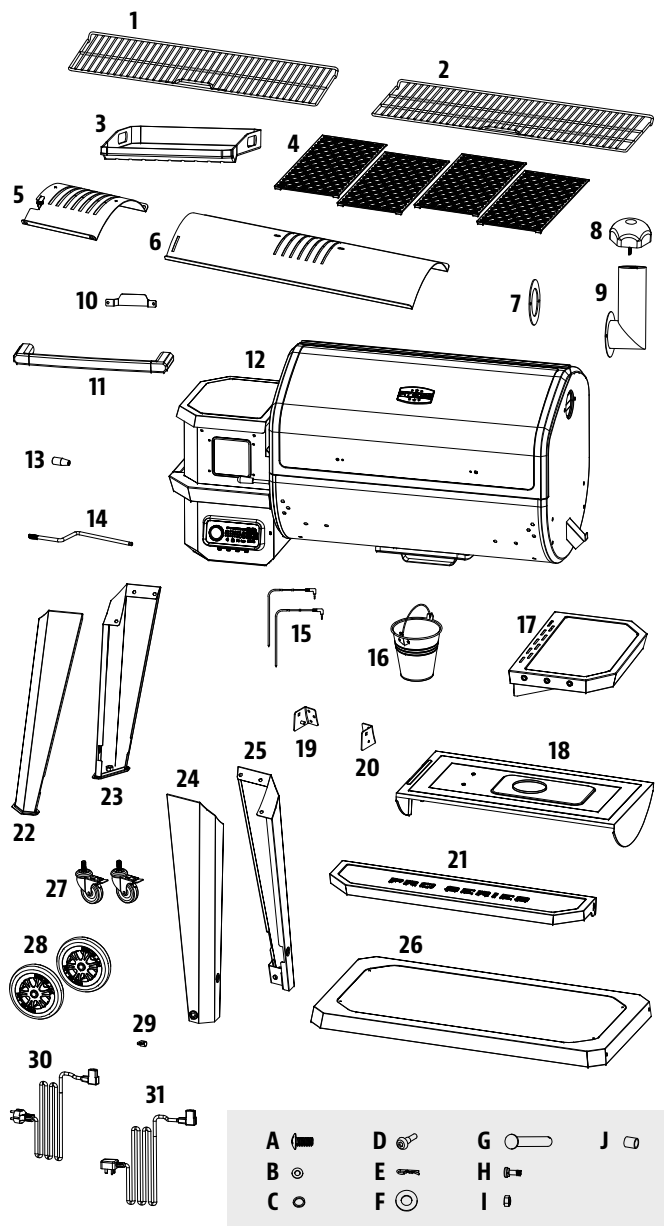
www.pitboss-grills.com

SPIS TREŚCI

Informacje dotyczące bezpieczeństwa	226
Części i specyfikacje	230
Przygotowanie do montażu	231
Instrukcja montażu	
Mocowanie nóg do korpusu beczkowego	231
Instalowanie półki dolnej	232
Dodawanie kółek do wózka	232
Instalowanie uchwytu pokrywy	232
Składanie półki bocznej	233
Mocowanie półki bocznej	233
Zabezpieczanie komina	233
Mocowanie wsporników półki przedniej	234
Instalowanie półki przedniej	234
Wkładanie płyty dyfuzora	234
Instalowanie elementów zasłony grillowania na ogniu ..	235
Instalowanie elementów do gotowania	236
Mocowanie uchwytu rusztu	236
Ustawianie wiadra na tłuszcz	236
Instalacja przewodu zasilającego	237
Podłączanie do źródła zasilania	237
Instruktaż działania	
Stosowne otoczenie dla grilla	238
Zakres temperatur grilla	239
Objaśnienie działania panelu sterowania	240
Funkcje panelu sterowania	241
Łączenie z aplikacją Smoke iT®	243
Procedura uzupełniania zbiornika	244
Pierwsze użycie — wypalanie grilla	244
Procedura automatycznego uruchamiania	244
Wyłączanie grilla	244
Pielęgnacja i konserwacja	245
Porady i wskazówki	247
Rozwiązywanie problemów	248
Schemat instalacji elektrycznej	250
Części zamienne	
Części zamienne grilla	251
Części zamienne zbiornika	252
Gwarancja	253

CZĘŚCI I SPECYFIKACJE

Nr części	Opis
1	Ruszt górny (x1)
2	Ruszt środkowy (x1)
3	Płyta grillowa (x1)
4	Ruszty do gotowania (x4)
5	Zasłona płomienia (x1)
6	Płyta główna do grillowania na ogniu (x1)
7	Uszczelka komina (x1)
8	Przykrywka komina (x1)
9	Pion komina (x1)
10	Uchwyt rusztu (x1)
11	Uchwyt pokrywy (x1)
12	Korpus beczkowy / zespół zbiornika (x1)
13	Uchwyt pręta do regulacji zasłony grillowania na ogniu (x1)
14	Pręt do regulacji zasłony grillowania na ogniu (x1)
15	Termosonda (x2)
16	Wiadro na tłuszcz (x1)
17	Półka boczna (x1)
18	Płyta dyfuzora (x1)
19	Wspornik półki przedniej / lewy (x1)
20	Wspornik półki przedniej / prawy (x1)
21	Półka przednia (x1)
22	Lewa noga podpierająca – przednia (x1)
23	Lewa noga podpierająca – tylna (x1)
24	Prawa noga podpierająca – przednia (x1)
25	Prawa noga podpierająca – tylna (x1)
26	Półka dolna (x1)
27	Kółko samonastawne z blokadą (x2)
28	Kółko (x2)
29	Zaczep przewodu zasilającego (x1)
30	Przewód zasilający – wtyczka F (x1)
31	Przewód zasilający – wtyczka G (x1)
A	Śruba (x28)
B	Podkładka (x24)
C	Podkładka zabezpieczająca (x22)
D	Hak na akcesoria (x3)
E	Zawleczka do koła (x2)
F	Podkładka do koła (x2)
G	Sworzeń zwrotnicy do koła (x2)
H	Śruba (x2)
I	Nakrętka (x2)
J	Tuleja (x2)



UWAGA: Ze względu na nieustanny rozwój produktu jego części mogą zostać zmienione bez uprzedzenia. Skontaktuj się z działem obsługi klienta, jeżeli zauważysz brak części podczas montażu urządzenia.

PB – WYMAGANIA DOTYCZĄCE INSTALACJI ELEKTRYCZNEJ

220-240 V, 50 Hz, 275 W, WTYCZKA Z UZIEMIENIEM

MODEL	ROZMIAR PO ZŁOŻENIU (szer. x gł. x wys.)	WAGA	STREFA GRILLOWANIA	ZAKRES TEMPERATUR
PB PB1600PS1	1587,5 MM x 813,5 MM x 1400 MM / 62,50 CALA x 32,03 CALA x 55,12 CALA	110,0 KG / 242,5 LB	RUSZT GÓRNY – 2474,8 CM ² / 383,6 IN ² ŚRODKOWY – 3249,6 CM ² / 503,7 IN ² GŁÓWNY – 4587,1 CM ² / 711,0 IN ² OGÓŁEM – 10 311,5 CM ² / 1598,3 IN ²	82-260°C / 180-500°F

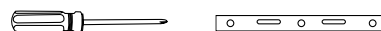
PRZYGOTOWANIE DO MONTAŻU

Elementy produktu znajdują się w różnych miejscach opakowania transportowego, także pod grillem. Po wyjęciu grilla, jego części i sprzętu w opakowaniu blistersowym z ochronnego opakowania transportowego, sprawdź ich stan. Przed montażem usuń wszystkie wewnętrzne i zewnętrzne fragmenty opakowania grilla, a następnie przejrzyj wszystkie elementy i upewnij się, że pokrywają się z listą części. W przypadku braku lub uszkodzenia jakiegokolwiek części, nie podejmuj żadnych prób demontażu lub modyfikacji. Gwarancja nie obejmuje szkód powstałych w trakcie transportu. Skontaktuj się ze sprzedawcą lub z działem obsługi klienta Pit Boss®, by uzyskać części.

www.pitboss-grills.com

WAŻNE: Dla ułatwienia instalacji warto skorzystać z pomocy innej osoby podczas montażu tego urządzenia (nie jest to jednak konieczne).

Narzędzia potrzebne do montażu: wkrętak i poziomica. *Narzędzia nie wchodzi w skład zestawu.*



INSTRUKCJE MONTAŻU

WAŻNE: Zaleca się dokładne przeczytanie każdego kroku przed rozpoczęciem montażu zgodnego z instrukcją. Nie dokręcaj śrub całkowicie, dopóki dla danego kroku nie zostaną zainstalowane wszystkie śruby. Przy instalacji elementów połączonych, takich jak podkładka zabezpieczająca i podkładka, należy zwrócić uwagę, by podkładka zabezpieczająca znajdowała się bliżej ła śruby.

1. MOCOWANIE NÓG DO KORPUSU BECZKOWEGO

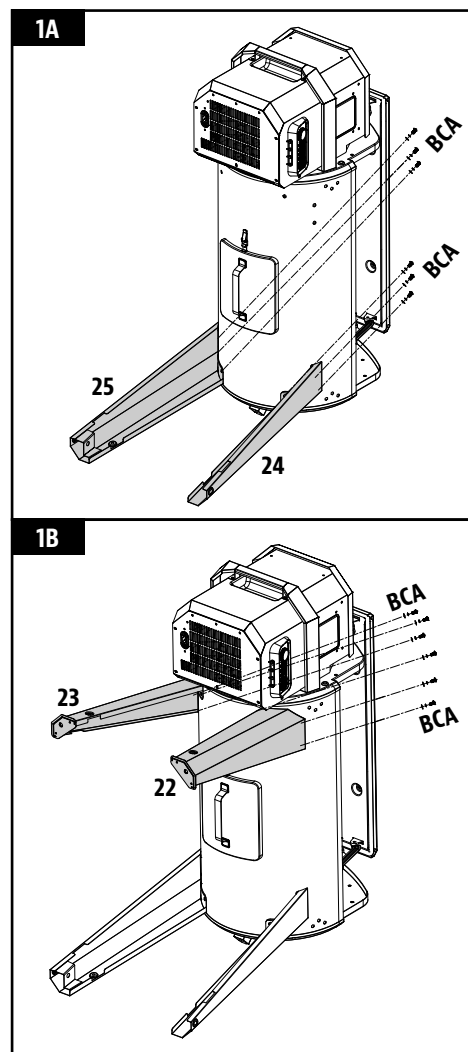
Wymagane części:

- 1 x korpus beczkowy / zespół zbiornika (12)
- 1 x lewa noga podpierająca – przednia (22)
- 1 x lewa noga podpierająca – tylna (23)
- 1 x prawa noga podpierająca / przednia (24)
- 1 x prawa noga podpierająca / tylna (25)
- 12 x śrub (A)
- 12 x podkładek (B)
- 12 x podkładek zabezpieczających (C)

Montaż:

- Umieść na podłodze kawałek kartonu, by ochronić powierzchnię sprzętu i części przed zarysowaniem podczas montażu. Na kartonie połóż na boku korpus beczkowy, tak by zbiornik był skierowany ku górze.
- Zamontuj przednią prawą nogę podpierającą do korpusu beczkowego, w części znajdującej się od strony podłogi, za pomocą trzech śrub, podkładek i podkładek zabezpieczających, korzystając z trzech przygotowanych otworów. Wkręć śruby od wewnętrznej strony korpusu beczkowego. Powtórz te kroki dla tylnej prawej nogi podpierającej. Pokazano to na ilustracji 1A.
- Następnie zamontuj przednią lewą nogę podpierającą do korpusu beczkowego, w części znajdującej się od strony zbiornika, za pomocą trzech śrub, podkładek i podkładek zabezpieczających, korzystając z trzech przygotowanych otworów. Wkręć śruby od wewnętrznej strony korpusu beczkowego. Powtórz te kroki dla tylnej lewej nogi podpierającej. Pokazano to na ilustracji 1B.

WAŻNE: Nie dokręcaj do końca śrub, dopóki dolna półka nie zostanie zamontowana w następnym kroku.



PL

POLSKIE

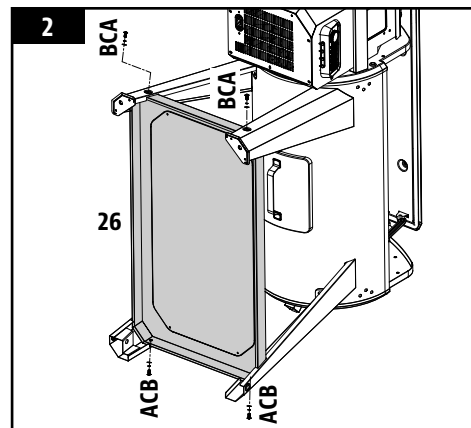
2. INSTALOWANIE PÓŁKI DOLNEJ

Wymagane części:

- 1 x półka dolna (26)
- 4 x śruby (A)
- 4 x podkładki (B)
- 4 x podkładki zabezpieczające (C)

Montaż:

- Przymocuj półkę dolną do wszystkich nóg podpierających za pomocą śruby, podkładki zabezpieczającej i podkładki. Upewnij się, że płaska powierzchnia półki jest skierowana do góry w stronę korpusu grilla.



3. DODAWANIE KÓŁEK DO WÓZKA

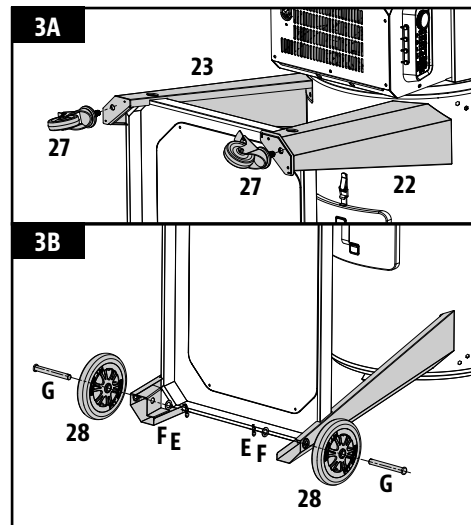
Wymagane części:

- 2 x kółka samonastawne z blokadą (27)
- 2 x kółka (28)
- 2 x zawlecзки do koła (E)
- 2 x podkładki do koła (F)
- 2 x sworznie zwrotnicy do koła (G)

Montaż:

- Zamontuj po jednym kółku samonastawnym z blokadą pod każdą lewą nogą podpierającą, dokręcając ręcznie śruby umieszczone w otworach. Upewnij się, że wszystkie kółka samonastawne z blokadą są włożone do końca. Pokazano to na ilustracji 3A.
- Przymocuj kółka do każdej prawej nogi podpierającej, przeprowadzając sworznie zwrotnicy przez kółko, otwór nogi oraz podkładkę i na końcu zabezpiecz całość zawleczką do koła. Pokazano to na ilustracji 3B.
- Po zamontowaniu półki ostrożnie ustaw grill w pozycji pionowej.

WAŻNE: Po ustawieniu grilla w pozycji pionowej należy ponownie dokręcić śruby nóg podpierających, aby upewnić się, że są całkowicie zabezpieczone.



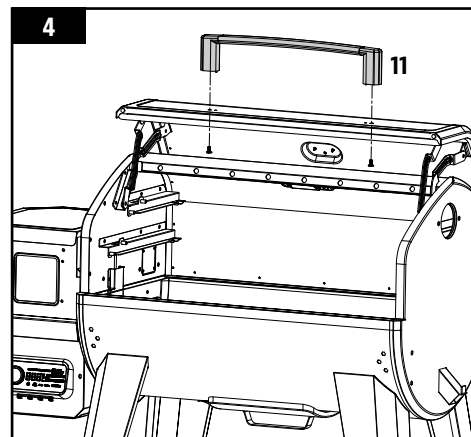
4. INSTALOWANIE UCHWYTU POKRYWY

Wymagane części:

- 1 x uchwyt pokrywy (11)

Montaż:

- Wyjmij zamocowane wcześniej śruby z uchwytu pokrywy. Od wewnętrznej strony pokrywy beczki wsuń jedną śrubę, a następnie ręcznie dokręć ją (od wewnątrz) do uchwytu pokrywy. Powtórz te kroki dla drugiego końca uchwytu pokrywy.



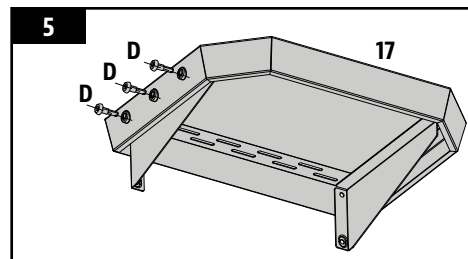
5. SKŁADANIE PÓŁKI BOCZNEJ

Wymagane części:

- 1 x półka boczna (17)
- 3 x haki na akcesoria (D)

Montaż:

- Odwróć półkę boczną do góry nogami. W trzech otworach wzdłuż krawędzi półki bocznej zainstaluj haki na akcesoria. Haki na akcesoria są mocowane do nakrętki, która jest wstępnie zamontowana po wewnętrznej stronie.



6. MOCOWANIE PÓŁKI BOCZNEJ

Wymagane części:

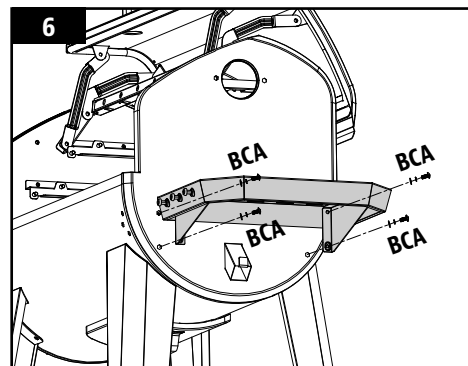
- 4 x śruby (A)
- 4 x podkładki zabezpieczające (C)
- 4 x podkładki (B)

Montaż:

- Przymocuj od spodu półkę boczną do panelu bocznego korpusu beczkowego, korzystając z czterech śrub, podkładek oraz podkładek zabezpieczających.

UWAGA: Nie dokręcaj śrub całkowicie, dopóki nie zostaną zainstalowane wszystkie śruby. Dopiero gdy wszystkie śruby zostaną zamontowane, należy je mocno dokręcić.

WAŻNE: Unikaj używania półek do przenoszenia lub podnoszenia grilla. Ciężar urządzenia spowoduje złamanie półek, co nie jest objęte gwarancją.



7. ZABEZPIECZANIE KOMINA

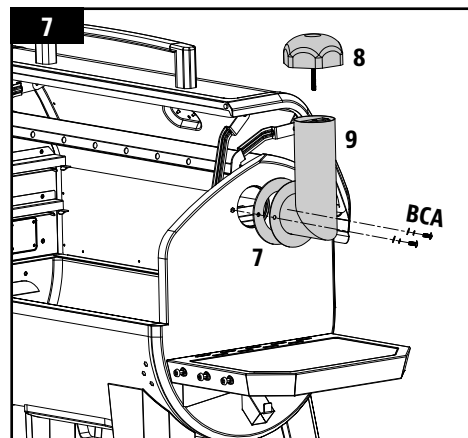
Wymagane części:

- 1 x uszczelka komina (7)
- 1 x przykrywka komina (8)
- 1 x pion komina (9)
- 2 x śruby (A)
- 2 x podkładki zabezpieczające (C)
- 2 x podkładki (B)

Montaż:

- Zlokalizuj otwór komina po bocznej stronie korpusu beczkowego. Z zewnątrz przymocuj uszczelkę komina i pion komina do panelu bocznego za pomocą dwóch śrub, podkładek oraz podkładek zabezpieczających. Śruba zostanie zabezpieczona we wstępnie zainstalowanej nakrętce wewnątrz beczki.
- Następnie zamocuj przykrywkę komina na szczycie pionu komina, wkręcając śrubę przykrywki do pionu komina.

UWAGA: Dopasuj przykrywkę komina, aby wpłynąć na przepływ powietrza wewnątrz głównego grilla. Gotując w niskiej temperaturze, odkryj nieco bardziej pokrywę komina. Upewnij się, że przykrywka komina umożliwi odpływ powietrza.



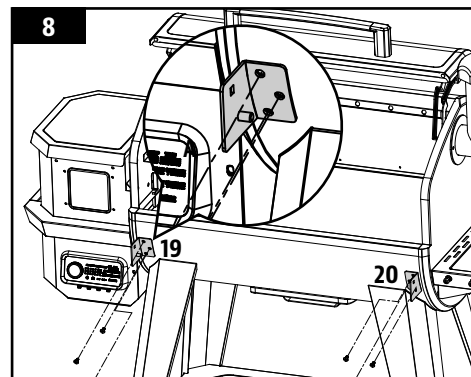
8. MOCOWANIE WSPORNIKÓW PÓŁKI PRZEDNIEJ

Wymagane części:

- 1 x wspornik półki przedniej / lewy (19)
- 1 x wspornik półki przedniej / prawy (20)
- 6 x śrub (A)

Montaż:

- Przymocuj wspornik półki przedniej do przedniej części korpusu beczkowego trzema śrubami. Wkręć każdą śrubę do połowy, następnie sprawdź, czy wszystkie trzy śruby są odpowiednio przymocowane i ustawione.
- Powtórz te same czynności w przypadku drugiego wspornika półki przedniej.



9. INSTALOWANIE PÓŁKI PRZEDNIEJ

Wymagane części:

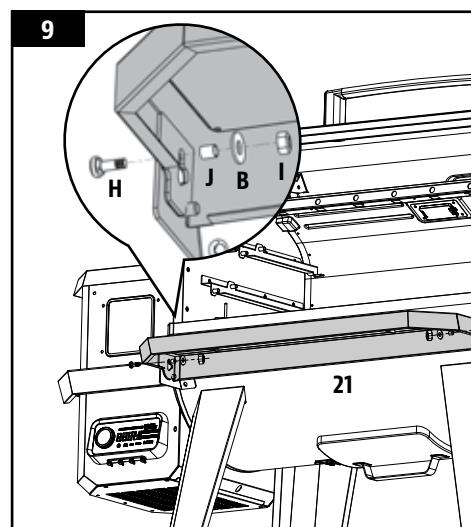
- 1 x półka przednia (21)
- 2 x podkładki (B)
- 2 x śruby (H)
- 2 x nakrętki (I)
- 2 x tuleje (J)

Montaż:

- Włóż śrubę od spodu (od zewnątrz) do wspornika półki przedniej i półki przedniej, a następnie załóż tuleję na śrubę, podkładkę, a następnie nakrętkę. Powtórz te same czynności w przypadku drugiej strony półki przedniej.

UWAGA: Po prawidłowym zainstalowaniu przednią półkę można z łatwością podnosić (do użytku) i opuszczać (do przechowywania).

WAŻNE: Unikaj używania półek do przenoszenia lub podnoszenia grilla. Ciężar urządzenia spowoduje złamanie półek, co nie jest objęte gwarancją.



10. WKŁADANIE PŁYTY DYFUZORA

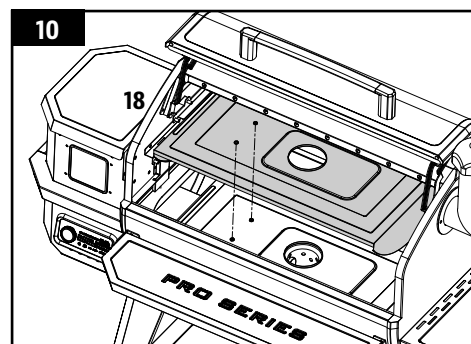
Wymagane części:

- 1 x płyta dyfuzora (18)

Montaż:

- Umieść płytę dyfuzora w korpusie beczkowym tak, aby środkowy otwór był dokładnie nad okrągłym paleniskiem na spodzie korpusu.

UWAGA: Płyta dyfuzora nie wymaga mocowania.



11. INSTALOWANIE ELEMENTÓW ZASŁONY GRILLOWANIA NA OGNIU

Wymagane części:

- 1 x zasłona płomienia (5)
- 1 x płyta główna do grillowania na ogniu (6)
- 1 x uchwyt pręta do regulacji zasłony grillowania na ogniu (13)
- 1 x pręt do regulacji płomienia zasłony grillowania na ogniu (14)

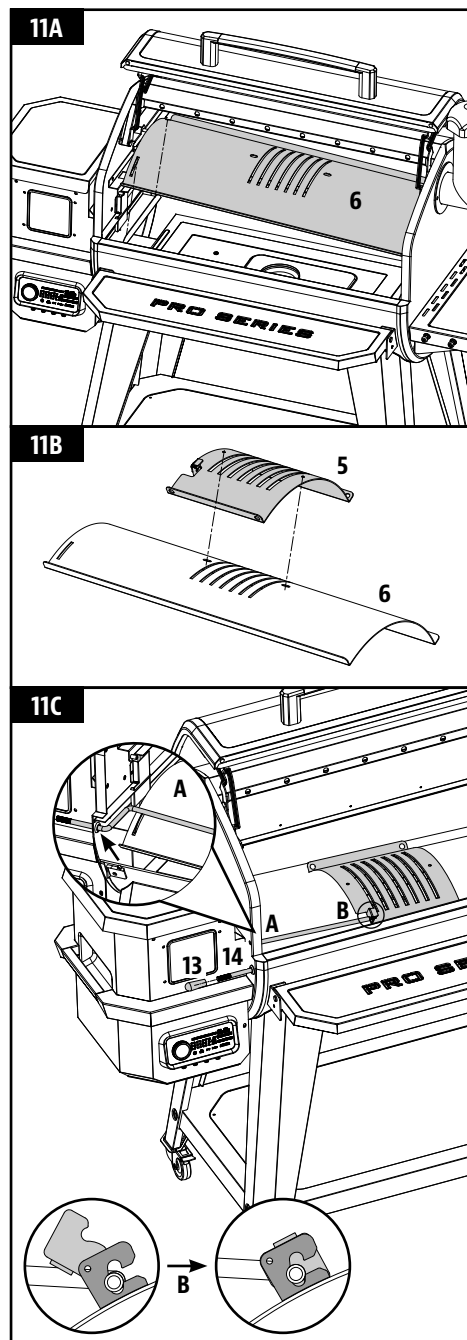
Montaż:

- Umieść płytę główną do grillowania na ogniu w głównej części grilla, zaczynając od prawej strony. Oprzyj płytę główną do grillowania na ogniu na wbudowanym ustępie (po prawej, wewnętrznej stronie) głównej części grilla, który kieruje tłuszcz do wiaderka. Przesuń cały element w lewą stronę, aby dopasować dwa otwory płyty do zaokrąglonego ustępu nad paleniskiem. Część ta znajdzie się pod lekkim kątem w dół. Pokazano to na ilustracji 11A.

WAŻNE: Jeżeli płyta główna do grillowania na ogniu znajduje się na spodzie korpusu beczkowego, nie jest ona zamontowana prawidłowo. Płyta główna do grillowania na ogniu powinna leżeć pod kątem, tak aby lewa strona była lekko wyżej niż prawa. Niewłaściwy montaż tej części może doprowadzić do uszkodzenia korpusu beczkowego grilla.

- Umieść zasłonę płomienia na płycie głównej do grillowania na ogniu, zakrywając szczeliny. Upewnij się, że wycięcie znajduje się po lewej stronie, co pozwoli na szybkie zakrywanie lub odsłanianie płomienia podczas grillowania. Pokazano to na ilustracji 11B. Zarówno płyta do grillowania na ogniu, jak i jej zasłona są delikatnie pokryte olejem, co zapobiega ich rdzewieniu podczas transportu.
- Następnie zdejmij uchwyt pręta do regulacji grillowania na ogniu. Wsuń pręt do regulacji zasłony grillowania na ogniu przez otwór z lewej strony korpusu beczkowego. Nałóż uchwyt na końcu pręta do regulacji grillowania na ogniu z powrotem na końcówkę wystającą poza korpus beczkowy. Następnie wsuń koniec pręta z nacięciem do elementu blokującego zasłonę płomienia, aby zapewnić sobie możliwość regulowanego dostępu do zasłony płomienia na płycie głównej. Zwróć uwagę na kroki na ilustracji 11C.

UWAGA: Gdy zasłona płomienia jest w pozycji otwartej, a grillowanie odbywa się bezpośrednio nad ogniem, nigdy nie pozostawiaj urządzenia bez nadzoru.



12. INSTALOWANIE ELEMENTÓW DO GOTOWANIA

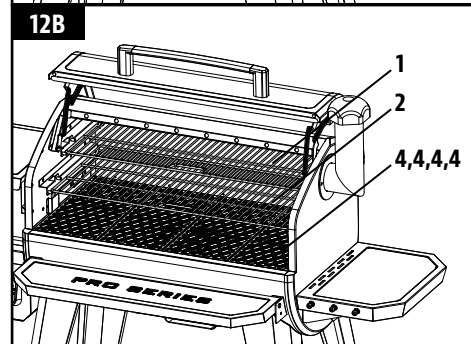
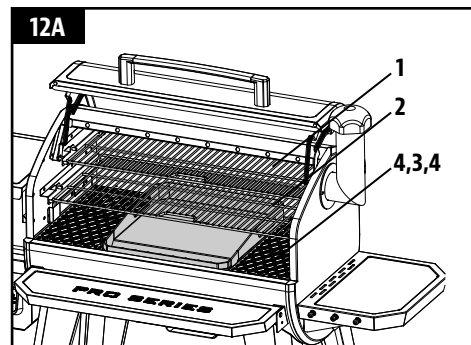
Wymagane części:

- 1 x ruszt górny (1)
- 1 x ruszt środkowy (2)
- 1 x płyta grillowa (3)
- 4 x ruszty do gotowania (4)

Montaż:

- Wybierz główną powierzchnię do gotowania: dwa ruszty do gotowania z płytą grillową (pokazane na ilustracji 12A) lub cztery ruszty do gotowania (pokazane na ilustracji 12B). Umieść wybraną kombinację powierzchni do grillowania na dolnych podporach wewnątrz grilla głównego.
- Następnie umieść ruszt środkowy na środkowych podporach wewnątrz grilla głównego. Umieść ruszt górny na górnych podporach wewnątrz głównej części grilla.

UWAGA: w celu utrzymania optymalnego efektu smażenia i grillowania na rusztach wymagana jest ich regularna pielęgnowacja i konserwacja.



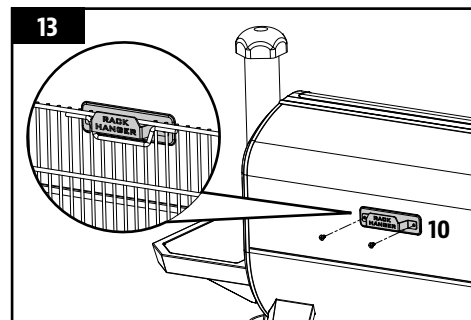
13. MOCOWANIE UCHWYTU RUSZTU

Wymagane części:

- 1 x uchwyt rusztu (10)

Montaż:

- Przykręć uchwyt rusztu do tylnego panelu korpusu beczkowego za pomocą dwóch wstępnie zamocowanych śrub. Ruszty do gotowania można zawiesić na uchwycie, gdy nie są używane.



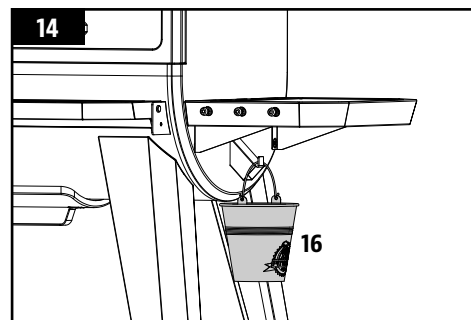
14. USTAWIANIE WIADRA NA TŁUSZCZ

Wymagane części:

- 1 x wiadro na tłuszcz (16)

Montaż:

- Umieść wiadro na tłuszczu na haku wylewki, znajdującym się na jednym z końców korpusu beczkowego. Upewnij się, że wisi równo, aby nie dopuścić do wycieku tłuszczu.
- Urządzenie jest już gotowe do użytku.



15. INSTALACJA PRZEWODU ZASILAJĄCEGO

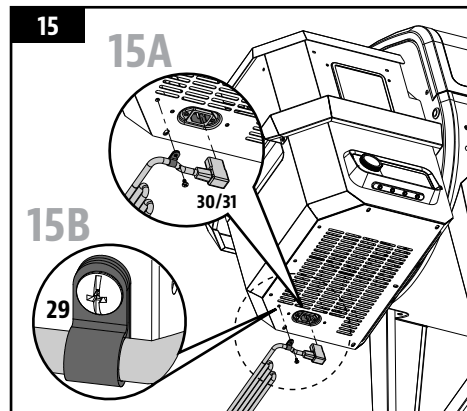
UWAGA: w zestawie znajdują się dwa kable zasilające. Wybierz przewód zasilający wymagany w Twoim regionie.

Wymagane części:

- 1 x zacpek przewodu zasilającego (29)
- 1 x przewód zasilający (30 lub 31)

Montaż:

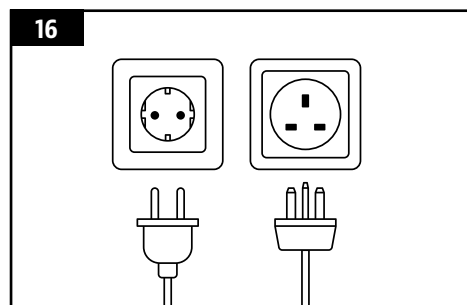
- Umieścić zacpek przewodu zasilającego na przewodzie zasilającym. Następnie włożyć przewód zasilający do rowka na spodzie urządzenia. Pokazano to na ilustracji 15A.
- Przykręcić zacpek przewodu zasilającego do dolnego panelu za pomocą wstępnie zamocowanej śruby, jak pokazano na ilustracji. Pokazano to na ilustracji 15B.



16. PODŁĄCZANIE DO ŹRÓDŁA ZASILANIA

- **GNIAZDO STANDARDOWE**
To urządzenie wymaga napięcia 220-240 V, 50 Hz, 275 W. Musi to być tyczka z uziemieniem. Przed użyciem upewnij się, że uziemiona końcówka nie jest odłamana. Narzędziem kontroli jest bezpiecznik szybki o napięciu 220-240 V, który chroni płytkę przed zapalnikiem.

WAŻNE: odłącz urządzenie od źródła zasilania, gdy nie jest używane.



INSTRUKCJA DZIAŁANIA

Dzisiejszy styl życia opiera się na dążeniu do utrzymania diety zdrowej i pełnowartościowej, dlatego czynnikiem, który należy wziąć tutaj pod uwagę, jest ograniczenie spożycia tłuszczu. Jednym z najlepszych sposobów na obniżenie ilości tłuszczu w diecie jest stosowanie niskotłuszczowej metody gotowania, takiej jak grillowanie. Ponieważ do grilla na pellet wykorzystuje się naturalny pellet drzewny, intensywny aromat drewna przechodzi do mięsa, zmniejszając potrzebę korzystania z sosów o wysokiej zawartości cukru. W niniejszej instrukcji położono nacisk na powolne grillowanie jedzenia, w temperaturze ustawionej na LOW lub MEDIUM.

STOSOWNE OTOCZENIE DLA GRILLA

1. USTAWIANIE GRILLA

Ze względu na specyfikę urządzeń zewnętrznych, także na działanie grilla i czas potrzebny do przyrządzania doskonałych posiłków duży wpływ mają warunki pogodowe.

Wszystkie części urządzenia Pit Boss® powinny znajdować się w odległości co najmniej 914 mm (36 cali) od elementów zapalnych i odstęp ten musi być bezwzględnie zachowany podczas pracy grilla. Urządzenia nie można umieszczać pod łatwopalnym sufitem podwieszanym lub pod okapem dachu. Przechowuj swojego grilla na obszarze wolnym od materiałów zapalnych, benzyny i innych łatwopalnych oparów oraz cieczy.

2. GOTOWANIE PRZY NISKICH TEMPERATURACH OTOCZENIA

Chłodniejsza aura wcale nie oznacza końca sezonu grillowego! Rześkie, chłodne powietrze i niebiański aromat wędzonych potraw to świetne lekarstwo na zimową depresję.

Skorzystaj z poniższych wskazówek, by korzystać z grilla w zimniejszych miesiącach:

- Jeśli niemożliwe jest wędzenie w niskich temperaturach, nieznacznie ją zwiększ, aby osiągnąć ten sam rezultat.
- Przygotuj się — przed wyjściem na zewnątrz naszykuj w kuchni wszystko, co będzie potrzebne. W sezonie zimowym ustaw grill w miejscu osłoniętym od wiatru i przeszywanego zimna. Dowiedz się, jakie są lokalnie obowiązujące przepisy dotyczące bliskości grilla od domu i/lub innych konstrukcji. Połóż na tacy wszystko, czego potrzebujesz, okryj się starannie i do roboty!
- Aby śledzić na bieżąco temperaturę na zewnątrz, umieść termometr zewnątrz w bliskim położeniu od strefy gotowania. Prowadź dziennik lub sporządzaj notatki na temat przyrządzanych potraw, temperatury na zewnątrz i czasu gotowania. Będzie to pomocne w późniejszym ustaleniu, co warto gotować i jak długo to zajmuje.
- W bardzo zimne dni przedłuż czas nagrzewania urządzenia o co najmniej 20 minut.
- Nie podnoś pokrywy częściej niż to konieczne. Zimne podmuchy wiatru mogą znacząco obniżyć temperaturę grilla. Podejdź elastycznie do czasu gotowania; wydłuż go za każdym razem, gdy otworzysz pokrywę.
- Przygotuj nagrany talerz lub pokrywkę na naczynie, aby utrzymać jedzenie w ciepłe podczas przenoszenia go z powrotem do środka.
- Idealne do przyrządzania w okresie zimowym są potrawy, które nie wymagają dużego zaangażowania, takie jak pieczenie mięsne, całe kurczaki, żeberka czy indyk. Uprość przygotowywanie posiłków korzystając z prostych produktów, takich jak warzywa i ziemniaki.

3. GOTOWANIE PRZY WYSOKICH TEMPERATURACH OTOCZENIA

Gdy powietrze na zewnątrz się ociepla, skraca się czas gotowania.

Skorzystaj z tych kilku wskazówek, by korzystać z grilla w gorących miesiącach:

- Odpowiednio obniż temperatury grillowania. Pomaga to w unikaniu niepożądanych wybuchów ognia.
- Skorzystaj z termosondy do mięsa, aby sprawdzić temperaturę wewnątrz potrawy. Zapobiega to przepieczeniu i nadmiernemu wysuszeniu mięsa.
- Nawet w czasie upałów lepiej jest gotować z opuszczoną pokrywą grilla.
- Możesz utrzymać ciepło potraw, zawijając je w folię i umieszczając w szczelnym opakowaniu termicznym. Upchnij zgniecione gazety dookoła folii i w ten sposób przechowuj jedzenie w ciepłe od 3 do 4 godzin.

ZAKRES TEMPERATUR GRILLA

Odczyty temperatur na panelu kontrolnym mogą się nie zgadzać w pełni z pomiarami wykonanymi termometrem. Wszystkie poniżej wymienione temperatury są szacunkowe i kształtują je następujące czynniki: zewnętrzna temperatura otoczenia, siła i kierunek wiatru, jakość stosowanego pelletu, częstotliwość otwierania pokrywy i ilość przyrządzanych potraw.

- **WYSOKIE TEMPERATURY (205–260°C / 401–500°F)**

Ten zakres temperatur jest najlepszy do smażenia i grillowania na dużym ogniu. Używaj go w połączeniu z płytą do grillowania na ogniu, by zasłaniać lub odsłaniać płomień podczas grillowania. **Otwarta zasłona płomienia** pozwala na przygotowywanie bezpośrednio nad ogniem steków „blue” oraz muśniętych płomieniem warzyw, tostów czosnkowych lub s'mores! Gdy **zasłona płomienia jest zamknięta**, powietrze krąży w korpusie beczkowym, wytwarzając ciepło konwekcyjne. Wysokie temperatury służą także do nagrzewania grilla, wypalania rusztów do gotowania i utrzymania wysokich temperatur w warunkach ekstremalnego zimna.

- **ŚREDNIE TEMPERATURY (135–180°C / 275–356°F)**

Ten zakres temperatur jest najlepszy do pieczenia, zapiekania i nadawania ostatecznego smaku powoli wędzonemu jedzeniu. Przyrządzanie potraw w tym zakresie temperatur znacznie zmniejsza ryzyko zapalenia się tłuszczu. Upewnij się, że zasłona płomienia jest w pozycji zamkniętej i zakrywa szczeliny. Idealne temperatury do smażenia wszystkiego, co jest zawinięte w boczek lub gdy lubisz wszechstronność, którą możesz kontrolować.

- **NISKIE TEMPERATURY (82–125°C / 180–257°F)**

Ten zakres temperatur służy do powolnego pieczenia, intensyfikowania dymnego smaku i utrzymywania ciepła potraw. Uzyskaj bardziej dymny smak potraw i przyrządzaj soczyste mięsa, gotując dłużej i w niższych temperaturach (metoda **powoli i w niskich temperaturach**). Temperatury polecane do przygotowywania dużego indyka na Święto Dziękczynienia, soczystej szynki na Wielkanoc lub wielkiej uczyty świątecznej.

Wędzenie to mała odmiana od tradycyjnego grillowania i stanowi tak naprawdę główną zaletę korzystania z grilla na pellet drzewny. **Wędzenie na gorąco**, inna nazwa metody **powolnego gotowania w niskich temperaturach** zwykle odbywa się w temperaturze 82–125°C / 180–257°F. Ten typ wędzenia najlepiej sprawdza się, gdy wymagany jest dłuższy czas gotowania, tak jak w przypadku dużych kawałków mięsa, ryb lub drobiu.

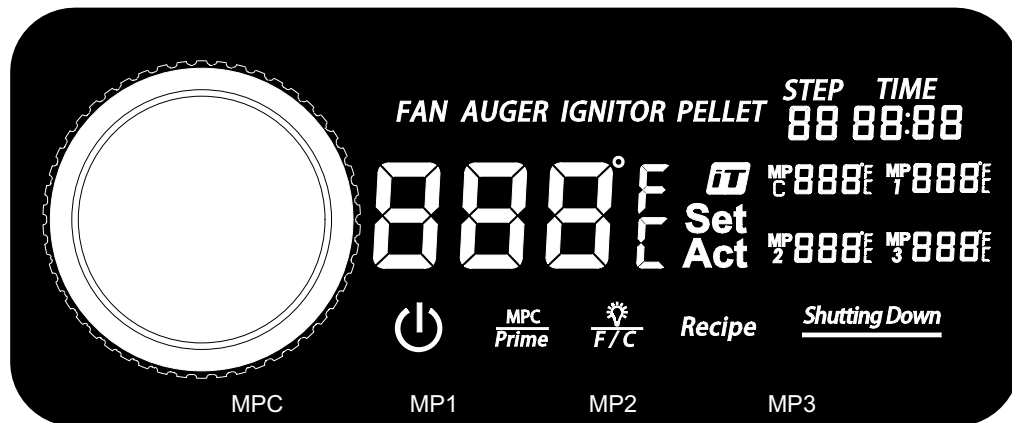
WSKAZÓWKA: Aby wzmocnić intensywność tego smaku, ustaw temperaturę z zakresu niskich natychmiast po umieszczeniu jedzenia na grillu. Pozwoli to dymnemu aromатовi przeniknąć do mięsa.

Kluczem jest eksperymentowanie z długością wędzenia podczas przygotowywania potrawy. Niektórzy specjaliści od grillowania wolą wędzić pod koniec przygotowywania posiłku, tak aby jedzenie było ciepłe do momentu podania. Praktyka czyni mistrza!

OBJAŚNIENIE DZIAŁANIA PANELU STEROWANIA

Ten cyfrowy panel sterowania PID (proporcjonalno-całkująco-różniczkujący) jest bardzo podobny do elementów sterujących kuchennego piekarnika. Jego główną zaletą jest możliwość automatycznej kompensacji różnych warunków otoczenia i rodzajów paliwa.

WAŻNE: W przypadku każdego grilla temperatura w jego wnętrzu będzie się znacznie różnić w zależności od lokalizacji pomiaru. Nawet termometry skalibrowane ze sobą mogą przedstawiać odmienne odczyty.



KONTROLKA	OPIS
	Naciśnij ten przycisk raz, aby włączyć urządzenie. Rozpocznie się automatyczny cykl uruchamiania. Naciśnij i przytrzymaj ten przycisk przez trzy sekundy, aby wyłączyć urządzenie i rozpocząć automatyczny cykl schładzania. Przycisk będzie świecił stałym białym światłem po podłączeniu do źródła zasilania i gdy urządzenie jest włączone.
	Ikona Smoke iT® wskazuje połączenie z Wi-Fi. Podczas szukania połączenia z siecią Wi-Fi lub za pośrednictwem Bluetooth® ikona Smoke iT® będzie migać. Po ustanowieniu połączenia z siecią Wi-Fi ikona Smoke iT® będzie świecić światłem ciągłym. Po podłączeniu będziesz na bieżąco otrzymywać informacje o aktualnej i ustawionej temperaturze grilla, czasie grillowania oraz o temperaturze termosondy do mięsa. W ten sposób możesz też zmienić ustawienia panelu sterowania.
	Ten przycisk ma dwie funkcje: przełączania jednostek temperatury i oświetlenia. <ol style="list-style-type: none"> Naciśnij szybko ten przycisk, aby włączyć lub wyłączyć światło wewnątrz korpusu grilla. Naciśnij i przytrzymaj ten przycisk przez trzy sekundy, aby aktywować przełącznik jednostek temperatury i zmienić sposób odczytu temperatury. Możesz wybrać między stopniami Celsjusza (°C) a Fahrenheita (°F). Domyślnym ustawieniem jest Celsjusz (°C).
	Ten przycisk ma dwie funkcje: sterowania termosondą (MPC) i przycisku Prime. <ol style="list-style-type: none"> Szybkie naciśnięcie tego przycisku aktywuje programowalną termosondę, która znajduje się w pierwszym otworze przyłączeniowym (MPC). Użyj pokrętła sterownika, aby ustawić temperaturę programowalnej termosondy. Naciśnij ponownie pokrętło sterownika, aby potwierdzić i wyjść z ustawień programowalnej termosondy. Naciśnij i przytrzymaj ten przycisk przez trzy sekundy, aby aktywować ręczne ciągłe podawanie pelletu do paleniska. Zwolnienie przycisku spowoduje zatrzymanie ręcznego podawania pelletu. Ma to zastosowanie w razie chęci dodania większej ilości paliwa do ognia przed otwarciem pokrywy korpusu beczkowego, co ma na celu skrócenie czasu utraty ciepła. Może to być także przydatne podczas wędzenia, gdyż zwiększa się w ten sposób intensywność czystego, dymnego smaku. Tę funkcję wprowadziliśmy na prośbę uczestników konkursów grillowania.



Pokrętko sterownika służy do zwiększania, zmniejszania i wybierania wartości ustawienia. Obracaj nim, aby z aktywnego menu ustawień wybrać czas, temperaturę lub krok. Wciśnij pokrętko sterownika, aby potwierdzić wybraną wartość.



Na centralnym odczycie wyświetlana jest zarówno bieżąca, jak i zadana temperatura. Rzeczywista temperatura jest stale wyświetlana, chyba że ustawiana jest temperatura zadana. Jest to temperatura wewnątrz korpusu beczkowego. Odczyt rzeczywistej temperatury jest rejestrowany przez sondę (czujnik) wewnątrz korpusu grilla.

Aby wyświetlić zadaną temperaturę, naciśnij pokrętko sterownika. Temperatura zadana jest aktywna, gdy odczyt miga. Aby dostosować zadaną temperaturę, obróć pokrętko sterownika zgodnie z potrzebą. Po ustawieniu wartości zadanej temperatury naciśnij pokrętko sterownika, aby ją potwierdzić, a następnie odczyt powróci do wyświetlania rzeczywistej temperatury.

Recipe

Naciśnij jednokrotnie przycisk, aby aktywować kroki przepisu. Możliwe jest skonfigurowanie dziewięciu kroków przepisu. Dostosuj ustawienia każdego z kroków za pomocą pokrętkła sterownika.



Wyświetla bieżący krok przepisu.



Wyświetla czas ustawiony w kroku przepisu. Naciśnij przycisk Przepis, aby aktywować ustawienia przepisu. Użyj pokrętkła sterownika do przechodzenia między krokami przepisu – jednym z nich jest czas.



Wyświetla bieżącą i zadaną temperaturę programowalnej termosondy, która znajduje się w pierwszym otworze przyłączeniowym (MPC). Rzeczywista temperatura jest stale wyświetlana, chyba że ustawiana jest temperatura zadana. Po naciśnięciu przycisku MPC odczyt wybranej termosondy zacznie migać i można wyregulować zadaną temperaturę. Gdy termosonda nie jest używana, należy odłączyć ją od portu; na wyświetlaczu pojawi się wówczas kod „noP”. Urządzenie jest zgodne wyłącznie z termosondami grillów marki Pit Boss®.



Wyświetla rzeczywistą temperaturę termosondy, Te trzy odczyty termosondy odpowiadają wybranemu portowi przyłączeniowemu. Gdy termosonda nie jest używana, należy odłączyć ją od portu; na wyświetlaczu pojawi się wówczas kod „noP”. Urządzenie jest zgodne wyłącznie z termosondami grillów marki Pit Boss®.

Shutting Down

Ten odczyt jest wyświetlany po wybraniu wyłączenia urządzenia. Wskazuje, że rozpoczął się automatyczny cykl schładzania. Po jego zakończeniu odczyt nie będzie już widoczny.

FAN

Ikona FAN jest widoczna, gdy wentylator pracuje. Kiedy miga ikona FAN, wentylator nie działa. Aby uzyskać pomoc, zapoznaj się z sekcją dotyczącą rozwiązywania problemów.

AUGER

Ikona AUGER jest widoczna, gdy podajnik ślimakowy się obraca. Kiedy miga ikona AUGER, podajnik ślimakowy nie działa. Aby uzyskać pomoc, zapoznaj się z sekcją dotyczącą rozwiązywania problemów.

IGNITOR

Ikona IGNITOR jest widoczna, gdy zapalnik jest używany. Kiedy miga ikona IGNITOR, zapalnik nie działa. Aby uzyskać pomoc, zapoznaj się z sekcją dotyczącą rozwiązywania problemów.

PELLET

Kiedy widoczna jest ikona PELLET, ogień w palenisku zgasł lub zbiornik jest pusty. Aby uzyskać pomoc, zapoznaj się z sekcją dotyczącą rozwiązywania problemów.

FUNKCJE PANELU STEROWANIA

• *USTAWIANIE TEMPERATURY GRILLA*

Sonda grilla mierzy temperaturę wewnątrz korpusu beczkowego. Po ustawieniu zadanej temperatury sonda grilla odczyta rzeczywistą temperaturę wewnątrz korpusu i dostosuje ją do zadanej temperatury.

WAŻNE: Temperatura urządzenia jest silnie uzależniona od zewnętrznych warunków pogodowych otoczenia, jakości stosowanego pelletu i jego smaku oraz od ilości przyrządzanego jedzenia.

USTAWIANIE/REGULOWANIE ZADANEJ TEMPERATURY

Aby dostosować zadaną temperaturę grillowania, wykonaj poniższe kroki:

1. Naciśnij pokrętkę sterownika. Odczyt zadanej temperatury zacznie migać, wskazując jej aktywację.
2. Użyj ponownie pokrętki sterownika, aby ustawić zadaną temperaturę.
3. Po ustawieniu wartości zadanej temperatury naciśnij pokrętkę sterownika, aby ją potwierdzić, a następnie odczyt powróci do wyświetlania rzeczywistej temperatury.

• *UŻYWANIE PROGRAMOWALNEJ TERMOSONDY*

Termosonda mierzy wewnętrzną temperaturę mięsa na grillu, podobnie jak może to robić kuchenny piekarnik. Włóż termosondę ze stali nierdzewnej w najgrubszą część mięsa. Na panelu sterowania wyświetlony zostanie odczyt temperatury w środku mięsa. Włóż adapter termosondy do portu podłączeniowego sondy i upewnij się, że jest całkowicie włożony do gniazda. Poczujesz i usłyszysz, jak zatrząskuje się na miejscu. Nie tylko sprawi, że mięso zostanie przygotowane w wybranej temperaturze, lecz także automatycznie obniży temperaturę grilla do niskiej (82°C / 180°F), aby potrawa była ciepła do momentu podania. Po prostu nastaw ją i się zrelaksuj, a termosonda zrobi resztę!

UWAGA: Upewnij się, że termosonda do mięsa i jej przewód nie mają bezpośredniego kontaktu z ogniem lub nadmiernym ciepłem podczas jej umieszczania w mięsie. Może to skutkować uszkodzeniem termosondy. Przeprowadź zbyt długi przewód przez tylne otwory wylotowe korpusu beczkowego, górną część korpusu beczkowego (przy zawiasach pokrywy) lub przez przedni otwór w pobliżu zbiornika. Gdy termosonda do mięsa nie jest używana, odłącz ją od portu przyłączeniowego i włóż do otworów w uchwycie zbiornika, by zapewnić jej bezpieczeństwo i utrzymać ją w czystości.

USTAWIANIE/REGULOWANIE PROGRAMOWALNEJ TERMOSONDY

Aby zaprogramować zadaną temperaturę zadaną programowalnej termosondy, wykonaj następujące czynności:

1. Szybko naciśnij przycisk MPC, aby aktywować programowalną termosondę. Kiedy będzie aktywna, odczyt temperatury termosondy zacznie migać.
2. Użyj pokrętki sterownika, aby ustawić zadaną temperaturę zadaną.
3. Po ustawieniu żądanej temperatury zadanej dla wybranej termosondy, naciśnij ponownie pokrętkę sterownika, aby potwierdzić wybór i wyjść z ustawień programowalnej termosondy.

• TWORZENIE PRZEPISU

Funkcja przepisu pozwala użytkownikowi na zaprogramowanie instrukcji grillowania, zwanych krokami przepisu, które będą następnie automatycznie wykonywane przez panel sterowania. Instrukcje te stanowią kombinację temperatury i czasu grillowania. Począwszy od pierwszego kroku przepisu (01), panel sterowania będzie kolejno wykonywał każdy krok grillowania. Po wykonaniu wszystkich kroków przepisu panel sterowania automatycznie przełączy się na niską temperaturę 82°C/180°F, dzięki czemu posiłek pozostanie ciepły do momentu podania. Istnieje możliwość zaprogramowania łącznie dziewięciu kroków przepisu.

JAK ZAPROGRAMOWAĆ KROK PRZEPISU

Aby ustawić jeden lub więcej kroków przepisu, należy postępować zgodnie z poniższymi krokami:

1. Naciśnij i przytrzymaj przycisk przepisu. Przycisk przepisu zacznie migać, wskazując, że ustawienia przepisu są aktywne. Spowoduje to również aktywację kroków przepisu, a litera „S” będzie oznaczać, że funkcja jest aktywna.
 - Użyj pokrętki sterownika, aby wybrać krok przepisu. Zaczynij od pierwszego kroku przepisu (01).
 - Po wybraniużądanego kroku przepisu naciśnij pokrętkę sterownika, aby przejść do następnego ustawienia.
 2. Ustaw godziny. Liczba godzin na odczycie czasu zacznie migać po jej wybraniu.
 - Użyj pokrętki sterownika, aby wybraćżądaną liczbę godzin.
 - Po wybraniużądaney liczby godzin naciśnij pokrętkę sterownika, aby przejść do następnego ustawienia.
 3. Ustaw minuty. Liczba minut na odczycie czasu zacznie migać po jej wybraniu.
 - Użyj pokrętki sterownika, aby wybraćżądaną liczbę minut.
 - Po wybraniużądaney liczby minut naciśnij pokrętkę sterownika, aby przejść do następnego ustawienia.
 4. Ustaw temperaturę. Centralny odczyt temperatury zacznie migać po jego wybraniu.
 - Użyj pokrętki sterownika, aby wybraćżądaną temperaturę.
 - Po wybraniużądaney temperatury naciśnij i przytrzymaj przycisk Przepis, aby zablokować wszystkie ustawienia przepisu dla tego kroku.
 - Aby ustawić kolejny krok przepisu, szybko naciśnij przycisk Przepis, aby wybrać następny krok przepisu i zaprogramować wieloetapowy przepis. Powtórz powyższe kroki zgodnie z potrzebą.
- Lub:
- Naciśnij i przytrzymaj przycisk przepisu po raz drugi, aby wyjść z ustawień przepisu i go uruchomić. Przycisk przepisu przestanie migać.

UWAGA: Kroki przepisu zostaną zresetowane, gdy urządzenie zostanie wyłączone.

ŁĄCZENIE Z APLIKACJĄ SMOKE IT®

Przestrzegaj tych instrukcji, aby połączyć grill z aplikacją Smoke iT® na urządzeniu z systemem Android™ lub iOS®. Aplikacja umożliwia kontrolę i monitorowanie temperatur grilla i termosondy za pomocą urządzenia mobilnego. Ciesz się korzyściami, jakie oferuje mobilna łączność za pośrednictwem Smoke iT®!

1. Pobierz aplikację Smoke iT®. Otwórz aplikację i włącz funkcję Bluetooth® w celu konfiguracji. Nowi użytkownicy będą musieli utworzyć konto i postępować zgodnie z komunikatami w celu zalogowania.
2. Jeżeli znajdujesz się w zasięgu Bluetooth® (9 m/30 stóp), aplikacja Smoke iT® automatycznie wykryje grill. Wybierz model urządzenia. Jeżeli nie widzisz swojego grilla na ekranie, upewnij się, że urządzenie jest podłączone do źródła zasilania i jest włączone.
3. Nadaj nazwę modelowi urządzenia (tzn. My Smoker) w aplikacji i wybierz opcję „Connect” (Połącz) na dole ekranu. Spowoduje to zapisanie modelu grilla w menu urządzeń.
4. W menu urządzeń kliknij model grilla do połączenia. Spowoduje to wyświetlenie ekranu panelu sterowania.
5. Kliknij opcję ustawień (kółko zębate) w prawym górnym rogu, wpisz poświadczenia Wi-Fi, a następnie kliknij znacznik wyboru na dole ekranu, aby się połączyć. W menu urządzeń wyświetlą się ikony Bluetooth® i Wi-Fi (chmurka), wskazując, że grill został połączony.

Podczas korzystania z aplikacji ekran będzie jasno świecił, kiedy grill jest aktywny i podłączony. Jeżeli ekran aplikacji lub grill przyciemni się w menu urządzeń, sprawdź połączenie bezprzewodowe lub źródło zasilania.

PROCEDURA UZUPEŁNIANIA ZBIORNIKA

Do poniższych instrukcji należy się zastosować, gdy grill rozpalany jest po raz pierwszy oraz za każdym razem, gdy w zbiorniku skończy się pellet. Podajnik ślimakowy wymaga uzupełniania, by możliwe było transportowanie pelletu przez całą jego długość i dostarczanie go do systemu podawania. **W innym wypadku limit czasu zapalnika zostanie przekroczony przed zapłonem pelletu i rozpalenie ognia nie będzie możliwe.** Aby uzupełnić zbiornik, wykonaj następujące działania:

1. Otwórz pokrywę korpusu. Wyjmij wszystkie elementy do przyrządzania potraw z wnętrza grilla. Zlokalizuj palenisko w dolnej części korpusu beczkowego. Upewnij się, że w palenisku nie ma żadnych przeszkód utrudniających prawidłowy zapłon.
2. Podłącz przewód zasilający do źródła zasilania. Naciśnij przycisk zasilania, aby włączyć urządzenie. Upewnij się, że:
 - Słychać obracanie się elementu ślimakowego podajnika. Po umieszczeniu ręki nad paleniskiem czuć ruch powietrza. Zabronione jest wkładanie ręki lub palców do paleniska. Może to doprowadzić do urazu.
 - Po około minucie pojawi się zapach płonącego zapalnika i będzie można odczuć, że powietrze w palenisku staje się coraz cieplejsze. Końcówka zapalnika nie nagrzej się do czerwoności, ale stanie się bardzo gorąca i będzie płonąć. Zabronione jest dotykanie zapalnika.
3. Po upewnieniu się, że wszystkie części elektroniczne działają prawidłowo, naciśnij i przytrzymaj przycisk zasilania przez trzy sekundy, aby wyłączyć urządzenie.
4. Otwórz pokrywę zbiornika. Upewnij się, że w zbiorniku lub w układzie doprowadzającym podajnika ślimakowego nie ma ciał obcych. Uzupełnij zbiornik suchym, w pełni naturalnym pelletem drzewnym do grilla.
5. Naciśnij przycisk zasilania, aby ponownie włączyć urządzenie. Cykl rozruchu grilla ma wstępnie ustawioną temperaturę wynoszącą 176°C / 350°F, więc zacznie się on nagrzewać. Naciśnij i przytrzymaj przycisk Prime, dopóki nie dostrzeżesz wewnątrz grilla dostarczonego przez rurę podajnika ślimakowego pelletu. Gdy w palenisku pojawi się pellet, zwolnij przycisk Prime.
6. Naciśnij i przytrzymaj przycisk zasilania przez trzy sekundy, aby wyłączyć urządzenie.
7. Włóż z powrotem wszystkie elementy do gotowania do korpusu beczkowego. Grill jest już gotowy do użytku.

PIERWSZE UŻYCIE — WYPALANIE GRILLA

Po uzupełnieniu zawartości zbiornika i przed rozpoczęciem grillowania po raz pierwszy, konieczne jest wypalenie grilla. Uruchom i pozostaw grill włączony przez 30–40 minut w temperaturze przekraczającej 176°C / 350°F (przy zamkniętej pokrywie), aby go wypalić i usunąć wszystkie substancje obce.

PROCEDURA AUTOMATYCZNEGO URUCHAMIANIA

1. Podłącz przewód zasilający do źródła zasilania z uziemieniem. Otwórz pokrywę korpusu beczkowego. Upewnij się, że w palenisku nie ma żadnych przeszkód utrudniających prawidłowy zapłon. Otwórz pokrywę zbiornika. Upewnij się, że w zbiorniku lub w układzie doprowadzającym podajnika ślimakowego nie ma ciał obcych. Uzupełnij zbiornik suchym, w pełni naturalnym pelletem drzewnym do grilla.
2. Naciśnij przycisk zasilania, aby włączyć urządzenie. Spowoduje to aktywację cyklu rozruchu. Układ doprowadzający podajnika ślimakowego zacznie się obracać, zapalnik rozpocznie nagrzewanie, a wentylator dostarczenie powietrza do paleniska. Podczas trwania cyklu rozruchu grill zacznie wytwarzać dym. Pokrywa korpusu beczki musi być otwarta w trakcie tego cyklu. Aby potwierdzić, że cykl rozruchu rozpoczął się w sposób prawidłowy, upewnij się, że słyszysz warkot palnika i czujesz, że wydziela się ciepło.
3. Po rozproszeniu ciężkiego, białego dymu cykl rozruchu zakończy się, a grill będzie gotowy do pracy we wszystkich zakresach temperatur!

WYŁĄCZANIE GRILLA

1. Po zakończeniu grillowania pozostaw pokrywę korpusu beczkowego zamkniętą, naciśnij i przytrzymaj przycisk zasilania przez trzy sekundy, aby wyłączyć urządzenie. Grill uruchomi automatyczny cykl chłodzenia. System ślimakowy przestanie podawać paliwo, płomień wypali się, a wentylator będzie pracował do zakończenia cyklu chłodzenia.

PIELĘGNACJA I KONSERWACJA

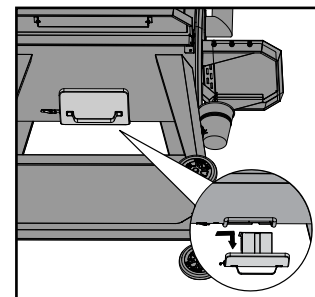
OSTRZEŻENIE: Zawsze odłączaj przewód elektryczny przed otwarciem grilla, gdy planujesz jego kontrolę, czyszczenie, konserwację lub serwis. Upewnij się, że grill jest całkowicie ostudzony, aby uniknąć obrażeń.

Zakup urządzenia Pit Boss® zapewnia możliwość wieloletniego gotowania pełnego smaku przy minimalnym wkładzie w czyszczenie. Zadbaj o stan swojego grilla, korzystając z poniższych wskazówek dotyczących czyszczenia i konserwacji:

1. USUWANIE POPIOŁU

- W dolnej części grilla znajduje się opcja usuwania popiołu, która zapewnia łatwy dostęp do wnętrza paleniska i umożliwia jego łatwe czyszczenie zgodnie z potrzebami. Aby opróżnić popielnik, zwolnij zatrzask klamrowy na haku popielnika. Trzymając uchwyt, wysuwaj popielnik w kierunku od zatrzasku, a następnie pociągnij w dół, aby go wyjąć. Po opróżnieniu włóż popielnik na miejsce, unosząc go z powrotem do dolnej części beczki grilla i wsuwając go w kierunku zatrzasku, a następnie mocując haczyk popielnika w zatrzasku klamrowym.

OSTRZEŻENIE: Z tej opcji można korzystać tylko wtedy, gdy grill jest schłodzony.



2. ZESPÓŁ ZBIORNIKA

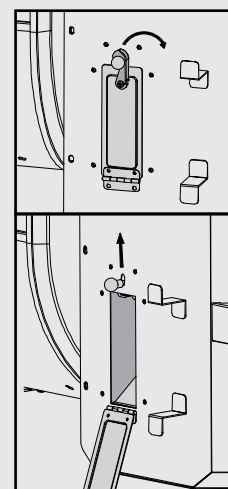
- Zaleca się usunąć cały pellet z systemu podajnika ślimakowego, jeżeli grill nie będzie używany przez dłuższy czas. Można to zrobić poprzez uruchomienie i pozostawienie grilla włączonego przy pustym zbiorniku do momentu pozbycia się całego pelletu z rury podajnika ślimakowego.
- Sprawdź i usuń wszelkie zanieczyszczenia z obszaru wlotowego powietrza tłoczonego przez wentylator, znajdującego się na dnie zbiornika. Po zdjęciu panelu zabezpieczającego zbiornika (zobacz **Schemat elementów elektrycznych**), ostrożnie wytrzyj cały smar, który osadził się bezpośrednio na łopatkach wentylatora. Zapewni to odpowiedni napływ powietrza do układu doprowadzającego go.

FUNKCJA OCZYSZCZANIA ZBIORNIKA

Zbiornik ma funkcję oczyszczania, która pozwala na łatwe czyszczenie oraz umożliwia zmianę gatunku pelletu drzewnego. Aby go opróżnić, wykonaj poniższe kroki:

- Zlokalizuj drzwi rewizyjne i hak na tylnej stronie zbiornika.
- Obróć hak na drzwiczkach (u góry) w prawo, tak aby odłączył się od drążka zatrzasku zwalniającego. Umieść czyste, puste wiadro pod drzwiami rewizyjnymi i opuść drzwi. Podnieś drążek zatrzasku zwalniającego, aby otworzyć płytę zsypu i umożliwić opróżnienie pelletu ze zbiornika.
- Po opróżnieniu ręcznie wepchnij płytę zsypu z powrotem na miejsce. Zatrzaśnij się na swoim miejscu. Zamknij drzwiczki rewizyjne i przekręć hak na drzwiczkach z powrotem na drążek zatrzasku zwalniającego, aby je zabezpieczyć.

UWAGA: Użyj szczotki z długim uchwytem lub odkurzacza przemysłowego, aby usunąć nadmiar pelletu, trocin i innych odpadów oraz całkowicie oczyścić wnętrze zbiornika.



3. SONDY

- Załamania lub zagięcia przewodów sondy mogą spowodować ich uszkodzenie. Nieużywana termosonda do mięs powinna być zwijana w duży, luźny splot.
- Mimo że zarówno sonda grilla, jak i termosonda do mięs wykonane są ze stali nierdzewnej, nie myj ich w zmywarce ani nie zanurzaj w wodzie. Uszkodzenie wewnętrznych przewodów przez wodę spowoduje zwarcie sondy, czego skutkiem będą błędne odczyty. Jeśli sonda jest uszkodzona, konieczna jest jej wymiana.

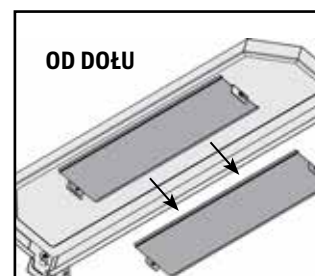
4. POWIERZCHNIE WEWNĘTRZNE

- Palenisko zaleca się czyścić po kilkukrotnym użyciu. To zapewni odpowiedni zapłon i pozwoli uniknąć gromadzenia się odpadów i popiołu w palenisku.
- Skorzystaj ze szczotki z długim uchwytem do czyszczenia grilla i usuń resztki jedzenia lub pozostałości z rusztów do gotowania. Najlepiej jest to zrobić, gdy grill jest jeszcze ciepły od ostatniego grillowania. Zapalenia tłuszczu spowodowane są zbyt dużą ilością resztek osadzających się na elementach do gotowania grilla. Regularnie czyść wnętrze grilla. W przypadku wystąpienia pożaru wywołanego kontaktem z tłuszczem, pozostaw pokrywę grilla zamkniętą aż do zdlawienia ognia. Jeśli ogień nie gaśnie szybko, ostrożnie wyjmij jedzenie, wyłącz grill i zamknij pokrywę, aby ogień całkowicie wygasł. Delikatnie posyp go sodą oczyszczoną, jeśli masz ją do dyspozycji.
- Często sprawdzaj stan wiadra na tłuszcz i czyść go tak często, jak to konieczne. Miej na uwadze czynności, jakie wykonujesz podczas gotowania.

WAŻNE: Ze względu na wysokie temperatury nie zakrywaj folią aluminiową rusztu do grillowania na ogniu ani sond.

5. POWIERZCHNIE ZEWNĘTRZNE

- Pod przednią półką znajduje się wyjmowany panel ułatwiający czyszczenie. Od dołu popchnij płytę oporową w kierunku korpusu beczkowego, aby ją zdjąć. Wyczyść ją i wsuń z powrotem na miejsce.
- Przetrzyj grill po każdym użyciu. Do usunięcia tłuszczu użyj ciepłej wody z mydłem. Nie korzystaj ze środków do czyszczenia piekarników, środków szorujących ani ściereczek ściernych do czyszczenia zewnętrznej powierzchni grilla. **Gwarancja nie obejmuje powierzchni malowanych, ponieważ jest to element podlegający konserwacji i wymaga pielęgnacji.** W przypadku zadrapań, ścierania się lub łuszczenia powierzchni wszystkie pomalowane elementy można odświeżyć za pomocą odpornej na wysokie temperatury farby do grilla.
- Zamykaj pokrywę grilla, aby zapewnić jego pełną ochronę! Pokrywa to najlepsze zabezpieczenie przed niekorzystnymi warunkami atmosferycznymi i zanieczyszczeniami. Gdy urządzenie nie jest używane lub ma być przez długi czas przechowywane, trzymaj je pod przykryciem w garażu lub w szopie.



HARMONOGRAM CZĘSTOTLIWOŚCI CZYSZCZENIA (REGULARNE UŻYTKOWANIE)

ELEMENT	CZĘSTOTLIWOŚĆ CZYSZCZENIA	METODA CZYSZCZENIA
Podstawa grilla głównego	Po 5–6 zastosowaniach grilla	Wybieranie i usuwanie odpadków odkurzaczem przemysłowym
Palenisko	Po 2–3 zastosowaniach grilla	Wybieranie i usuwanie odpadków odkurzaczem przemysłowym
Ruszt do gotowania	Po każdym użyciu grilla	Wypalanie resztek, drucziana szczotka mosiężna
Zasłona grillowania na ogniu	Po 5–6 zastosowaniach grilla	Zeskrobywanie płyty głównej przewodnikiem, nie myć do czysta
Półki	Po każdym użyciu grilla	Druciak i woda z mydłem
Wiadro na tłuszcz	Po każdym użyciu grilla	Druciak i woda z mydłem
Układ doprowadzający podajnika	Po opróżnieniu opakowania pelletu	Podajnik ślimakowy wypycha trociny, pozostawiając pusty zbiornik
Elementy elektryczne zbiornika	Raz na rok	Odkurzenie wnętrza, przetarcie łopatek wentylatora wodą z mydłem
Wlot powietrza wentylatora	Po 5–6 zastosowaniach grilla	Starcie kurzu, zmywaczek i woda z mydłem
Sonda grilla	Po 2–3 zastosowaniach grilla	Druciak i woda z mydłem

PORADY I WSKAZÓWKI

Aby dowiedzieć się więcej o swoim grillu, zapoznaj się z udostępnionymi przez właścicieli Pit Boss®, naszych pracowników oraz klientów takich jak Ty pomocnymi poradami i wskazówkami:

1. BEZPIECZEŃSTWO ŻYWNOŚCI

- Utrzymuj całą kuchnię oraz strefę gotowania w czystości. Po obróbce termicznej używaj innych talerzy i przyborów niż te, które posłużyły do przygotowania lub przeniesienia surowego mięsa na grill. Zapobiegnie to krzyżowemu zanieczyszczeniu bakteriami. Wszystkie marynaty lub sosy do pieczenia powinny mieć osobne naczynia.
- Trzymaj ciepłe potrawy w wysokiej temperaturze (powyżej 60°C / 140°F), a zimne w temperaturze niskiej (poniżej 3°C / 37°F).
- Marynata nigdy nie powinna być pozostawiana do późniejszego wykorzystania. Jeśli planujesz podawać ją do przyrządzonego mięsa, pamiętaj, aby wcześniej ją zagotować.
- Gotowe potrawy nie powinny być przechowywane w ciepłe dłużej niż godzinę. Nie pozostawiaj ciepłego jedzenia poza lodówką przez czas dłuższy niż dwie godziny.
- Rozmrażaj i marynuj mięso w warunkach chłodniczych. Nie rozmrażaj mięsa w temperaturze pokojowej lub na blacie. W ciepłej i wilgotnej żywności bakterie mogą się szybko rozrastać i namnażać. Przed rozpoczęciem przygotowywania posiłku i po kontakcie z surowym mięsem, rybami i drobiem dokładnie umyj ręce gorącą wodą z mydłem.

2. PRZYGOTOWANIE DO GOTOWANIA

- Bądź w gotowości lub **Mise en Place**. Oznacza to naszykowanie przed rozpoczęciem gotowania przepisu, paliwa, akcesoriów, naczyń i wszystkich składników, które będą potrzebne przy grillu. Przeczytaj także cały przepis, od początku do końca, jeszcze przed rozpaleniem grilla.
- Bardzo przydatna jest mata podłogowa pod grill. Ze względu na możliwe wypadki związane z obróbką żywności i rozpryskami podczas gotowania mata podłogowa pod grill chroniłaby taras, patio lub kamienną powierzchnię przed plamami z tłuszczu lub przypadkowym rozlaniem.

3. PORADY I WSKAZÓWKI DOTYCZĄCE GRILLOWANIA

- Aby przekazać mięsu więcej dymnego smaku, gotuj je dłużej i w niższych temperaturach (metoda **powoli i w niskich temperaturach**). Białko mięsa ścina się po osiągnięciu wewnętrznej temperatury 49°C / 120°F. Zraszanie lub pędzlowanie to świetne metody zabezpieczania mięsa przed wysuszeniem.
- Smażąc mięso, zamykaj pokrywę grilla. Zawsze korzystaj z termosondy do mięsa, aby kontrolować temperaturę przyrządzanej potrawy. Wędzenie żywności z wykorzystaniem pelletu drzewnego pozwala uzyskać różowy kolor mięsa i drobiu. Różowa warstwa mięsa (po przyrządzeniu) określana jest jako **pierścień dymny** i jej walory doceniane są przez specjalistów od grillowania.
- Sosy na bazie cukru najlepiej nakładać pod koniec przyrządzania potrawy, aby zapobiec przypaleniom i wybuchom ognia.
- Pozostaw wolną przestrzeń między produktami spożywczymi a bokami korpusu beczkowego, aby zapewnić prawidłową cyrkulację ciepła. Przyrządzanie dużej ilości jedzenia w tym samym czasie spowoduje wydłużenie czasu grillowania.
- Do obracania mięsa używaj szczypiec z długim uchwytem, a do burgerów i ryb szpatułki. Użycie do mięsa ostrego przyrządu, takiego jak widelec, spowoduje jego przekłucie i utratę soczystości.
- Potrawy w głębokich naczyniach żaroodpornych wymagają dłuższego czasu gotowania niż dania przyrządzane w płytkiej blasze do pieczenia.
- Dobrym pomysłem jest trzymanie gotowych potraw na podgrzanych talerzach, aby nie traciły ciepła. Czerwone mięso, takie jak steki i pieczenie, dużo zyskuje na kilkuminutowym odpoczynku przed podaniem. Umożliwia to sokom, które wypłynęły pod wpływem temperatury, ponownie wnikać do mięsa i nadać mu więcej smaku.

ROZWIĄZYWANIE PROBLEMÓW

Właściwe czyszczenie, konserwacja i stosowanie czystego, suchego paliwa zapobiega występowaniu typowych problemów z działaniem urządzenia. W przypadku, gdy grill Pit Boss® nie działa prawidłowo lub jest rzadko użytkowany, pomocne mogą okazać się poniższe wskazówki dotyczące rozwiązywania problemów. Odpowiedzi na najczęściej zadawane pytania (FAQ) znajdziesz pod adresem www.pitboss-grills.com. W celu uzyskania pomocy możesz się także skontaktować z lokalnym, autoryzowanym sprzedawcą Pit Boss® lub działem obsługi klienta.

OSTRZEŻENIE: Zawsze odłączaj przewód elektryczny przed otwarciem grilla, gdy planujesz jego kontrolę, czyszczenie, konserwację lub serwis. Upewnij się, że grill jest całkowicie ostudzony, aby uniknąć obrażeń.

PROBLEM	PRZYCZYNA	ROZWIĄZANIE
Kontrolki panelu sterowania nie działają	Brak połączenia ze źródłem zasilania	Upewnij się, że urządzenie jest podłączone do działającego źródła zasilania. Zresetuj bezpiecznik. Upewnij się, że natężenie w gnieździe GFCI wynosi co najmniej 10 A (zobacz Schemat elementów elektrycznych , aby zapoznać się z komponentami elektrycznymi). Upewnij się, że wszystkie przewody są prawidłowo podłączone oraz suche.
	Panel sterowania sygnalizuje przepalenie bezpiecznika	Zdejmij panel zabezpieczający zbiornika (zobacz Schemat elementów elektrycznych), naciśnij plastikowe zaczepty przytrzymujące panel sterowania na miejscu i ostrożnie pociągnij sterownik w głąb zbiornika, aby go zwolnić. Sprawdź, czy w bezpieczniku nie ma uszkodzonego druciku lub czy nie przybrał on czarnej barwy. Jeśli tak, bezpiecznik należy wymienić ręcznie.
	Awaria panelu sterowania	Wymagana jest wymiana panelu sterowania. Skontaktuj się z działem obsługi klienta w sprawie wymiany elementu.
W komorze spalania nie pali się ogień	Podajnik ślimakowy nie został uzupełniony	Przed pierwszym użyciem urządzenia <u>lub</u> za każdym razem, gdy zbiornik jest pusty, konieczne jest napełnienie podajnika ślimakowego, aby w jego rurze zawsze był pellet. W innym wypadku limit czasu zapalnika zostanie przekroczony zanim pellet dotrze do komory spalania. Zastosuj się do Procedury uzupełniania zbiornika .
	Silnik podajnika ślimakowego jest zablokowany	Wymij z korpusu beczkowego elementy do gotowania. Włącz urządzenie przyciskiem zasilania i zbadaj układ doprowadzający podajnika ślimakowego. Widać, że podajnik ślimakowy dostarcza pellet do komory spalania. Jeśli nie działa prawidłowo, skontaktuj się z działem obsługi klienta w celu uzyskania pomocy lub części zapasowej.
	Awaria zapalnika	Wymij z korpusu beczkowego elementy do gotowania. Włącz urządzenie przyciskiem zasilania i zbadaj zapalnik. Po umieszczeniu dłoni nad komorą spalania czujesz ciepło, co świadczy o działaniu zapalnika. Widać, że około 13 mm/0,5 cala powierzchni zapalnika wystaje w komorze spalania. Jeśli nie działa prawidłowo, skontaktuj się z działem obsługi klienta w celu uzyskania pomocy lub części zapasowej.
Nie można wyregulować odczytu bieżącej temperatury	Sonda temperatury grilla jest zabrudzona	Zastosuj się do wskazówek w sekcji Pielęgnacja i konserwacja .
	Sonda temperatury grilla jest zepsuta	Należy wymienić sondę temperatury grilla. Skontaktuj się z DZIAŁEM OBSŁUGI KLIENTA.
Grill nie osiąga ani nie utrzymuje stabilnej temperatury	Niewystarczający przepływ powietrza przez komorę spalania	Sprawdź, czy w komorze spalania nie osadził się popiół i czy nie ma uszkodzeń. Zastosuj się do wskazówek w sekcji Pielęgnacja i konserwacja w przypadku nagromadzenia popiołu. Sprawdź wentylator. Upewnij się, że działa prawidłowo, a dopływ powietrza nie jest zablokowany. Zastosuj się do wskazówek w sekcji Pielęgnacja i konserwacja , jeśli zauważysz brud. Sprawdź działanie silnika podajnika ślimakowego, aby potwierdzić jego sprawność i upewnić się, że nic nie blokuje jego rury. Po wykonaniu wszystkich powyższych kroków, uruchom grill, ustaw temperaturę w pozycji SMOKE i odczekaj 10 minut. Upewnij się, że uzyskany płomień jest jasny i żywy.
	Brak paliwa, słaba jakość paliwa, zator w układzie doprowadzającym	Sprawdź stan zbiornika, aby upewnić się, że ilość paliwa jest wystarczająca, i uzupełnij go, jeśli poziom jest niski. Jeśli jakość pelletu drzewnego jest niska lub jego granulki zbyt długie, może to prowadzić do zatoru w układzie doprowadzającym. Usuń pellet i zastosuj się do wskazówek w sekcji Pielęgnacja i konserwacja .
	Sonda grilla	Sprawdź stan sondy grilla. Zastosuj się do wskazówek w sekcji Pielęgnacja i konserwacja , jeśli zauważysz brud. Skontaktuj się z działem obsługi klienta w sprawie wymiany elementu, jeśli ulegnie uszkodzeniu.

Grill wytwarza zbyt dużo dymu lub kolor dymu jest nieprawidłowy	Osadzanie się tłuszczu	Zastosuj się do wskazówek w sekcji Pielegnacja i konserwacja .
	Jakość pelletu drzewnego	Usuń wilgotny pellet drzewny ze zbiornika. Zastosuj się do wskazówek w sekcji Pielegnacja i konserwacja , aby go wyczyścić. Wymień na pellet drzewny.
	Komora spalania jest zablokowana	Usuń wilgotny pellet drzewny z komory spalania. Zastosuj się do Procedury uzupełniania zbiornika .
	Niewystarczający dopływ powietrza do wentylatora	Sprawdź wentylator. Upewnij się, że działa prawidłowo, a dopływ powietrza nie jest zablokowany. Zastosuj się do wskazówek w sekcji Pielegnacja i konserwacja , jeśli zauważysz brud.
Częste wybuchy ognia	Temperatura gotowania	Przyrządzaj potrawy w niższej temperaturze. Tłuszcz ma określoną temperaturę zapłonu. Utrzymuj temperaturę poniżej 176°C / 350°F, gdy gotujesz z użyciem dużej ilości tłuszczu.
	Osadzanie się tłuszczu na elementach grzewczych	Zastosuj się do wskazówek w sekcji Pielegnacja i konserwacja .
Błąd „ErP”	Urządzenie nie zostało ostatnim razem poprawnie odłączone od zasilania	Funkcja bezpieczeństwa zapobiega automatycznemu ponownemu uruchomieniu. Naciśnij i przytrzymaj przycisk zasilania przez trzy sekundy, aby wyłączyć urządzenie, a następnie odczekaj dwie minuty i naciśnij przycisk zasilania, aby ponownie je włączyć. Ustaw żadaną temperaturę. Jeśli błąd będzie się powtarzał, skontaktuj się z OBSŁUGĄ KLIENTA.
	Przerwa w zasilaniu podczas pracy urządzenia	
Błąd „ErH”	Urządzenie się przegrzało, prawdopodobnie z powodu zapalenia się tłuszczu lub zbyt dużej ilości paliwa	Naciśnij i przytrzymaj przycisk zasilania przez trzy sekundy, aby wyłączyć urządzenie i schłodzić grill. Postępuj zgodnie z instrukcjami w sekcji Pielegnacja i konserwacja . Po konserwacji wyjmij pelety i upewnij się, że wszystkie części są na swoich miejscach. Gdy urządzenie ostygnie, naciśnij przycisk zasilania, aby je włączyć, a następnie ustaw wybraną temperaturę. Jeśli błąd będzie się powtarzał, skontaktuj się z OBSŁUGĄ KLIENTA.
Błąd „ErL”	Grill nie wykonuje cyklu rozruchu	Sprawdź, czy komponenty grilla znajdują się w prawidłowych pozycjach. Sprawdź, czy w zbiorniku znajduje się wystarczająca ilość paliwa lub czy w układzie doprowadzającym nie ma żadnych przeszkód. Usuń pellet i zastosuj się do wskazówek w sekcji Pielegnacja i konserwacja . Sprawdź sondę temperatury grilla. Sprawdź, czy wskazywana rzeczywista temperatura jest prawidłowa i dokładna. Zastosuj się do wskazówek w sekcji Pielegnacja i konserwacja , jeśli zauważysz brud. Sprawdź ustawienie zapalnika i czy prawidłowo się on nagrzewa. W bardzo niskich temperaturach może być konieczne ponowne uruchomienie grilla. Wyłącz grill, poczekaj i włącz go ponownie. Sprawdź wentylator. Upewnij się, że działa prawidłowo. Zastosuj się do wskazówek w sekcji Pielegnacja i konserwacja , jeśli zauważysz brud.
	Ogień w grillu gaśnie przedwcześnie	
Migającym kodem błędu PELLET	Brak paliwa, słaba jakość paliwa, zator w układzie doprowadzającym, zablokowany podajnik ślimakowy	Sprawdź stan zbiornika, aby upewnić się, że ilość paliwa jest wystarczająca, i uzupełnij go, jeśli poziom jest niski. Jeśli jakość pelletu drzewnego jest niska lub jego granulki zbyt długie, może to prowadzić do zatoru w układzie doprowadzającym. Usuń pellet i zastosuj się do wskazówek w sekcji Pielegnacja i konserwacja .
Migającym kodem błędu IGNITOR	Zapalnik nie działa prawidłowo, nie nawiązuje połączenia	Wyjmij z korpusu beczkowego elementy do gotowania. Włącz urządzenie przyciskiem zasilania i zbadaj zapalnik. Po umieszczeniu dłoni nad rusztem do spalania pelletu czujesz ciepło, co świadczy o działaniu zapalnika. Sprawdź, czy zapalnik jest wyrównany z otworem w ruszcie do spalania pelletu i otwórz, aby zapalić pellet. Jeśli nie działa prawidłowo, skontaktuj się z działem obsługi klienta w celu uzyskania pomocy lub części zapasowej.
	Awaria zapalnika	Konieczna jest wymiana zapalnika. Skontaktuj się z działem obsługi klienta w sprawie wymiany elementu.
Migającym kodem błędu AUGER	Podajnik ślimakowy nie został uzupełniony	Przed pierwszym użyciem urządzenia lub za każdym razem, gdy zbiornik jest pusty konieczne jest napełnienie podajnika ślimakowego, aby w komorze spalania zawsze był pellet. W innym wypadku limit czasu zapalnika zostanie przekroczony zanim pellet zapali się. Zastosuj się do Procedury uzupełniania zbiornika .
	Silnik podajnika ślimakowego jest zacięty, nie nawiązuje połączenia	Wyjmij z korpusu beczkowego elementy do gotowania. Włącz urządzenie przyciskiem zasilania i zbadaj układ doprowadzający podajnika ślimakowego. Widać, że podajnik ślimakowy dostarcza pellet do komory spalania. Jeśli nie działa prawidłowo, skontaktuj się z działem obsługi klienta w celu uzyskania pomocy lub części zapasowej.
Migającym kodem błędu FAN	Wentylator nie działa prawidłowo, nie nawiązuje połączenia	Sprawdź wentylator. Upewnij się, że działa prawidłowo, a dopływ powietrza nie jest zablokowany. Zdejmij panel zabezpieczający zbiornika (zobacz Schemat elementów elektrycznych) i sprawdź, czy kable wentylatora nie są uszkodzone. Zastosuj się do wskazówek w sekcji Pielegnacja i konserwacja , jeśli zauważysz brud na wentylatorze.

SCHEMAT INSTALACJI ELEKTRYCZNEJ

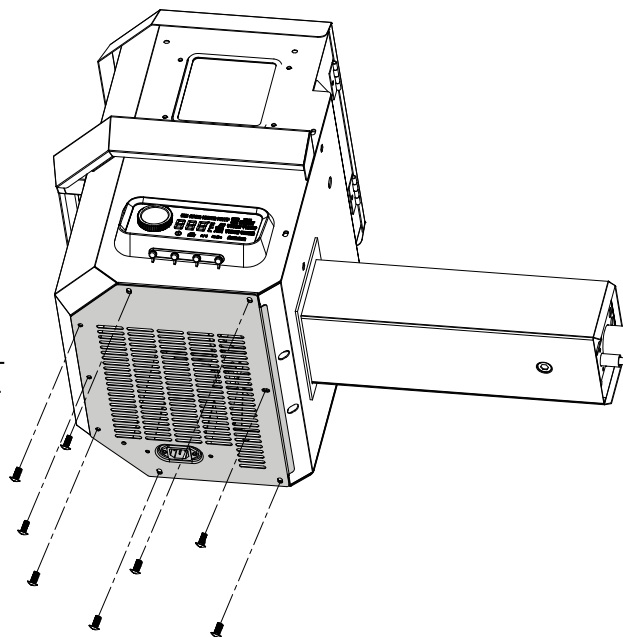
Układ cyfrowego panelu sterowania to technologia skomplikowana i cenna. W celu zabezpieczenia urządzenia przed skokami napięcia i zwarciami zapoznaj się z poniższym schematem instalacji, aby upewnić się, że źródło zasilania urządzenia jest wystarczające do jego działania.

PB – WYMAGANIA DOTYCZĄCE INSTALACJI ELEKTRYCZNEJ

220-240 V, 50 Hz, 275 W, WTYCZKA Z UZIEMIENIEM

UWAGA: podzespoły elektroniczne, które zostały przetestowane pod kątem bezpieczeństwa i uzyskały certyfikaty, mieszczą się w granicach tolerancji wynoszącej ± 5-10 procent.

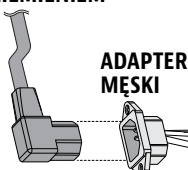
ZNAJDŹ I WYMIJ OSIEM ŚRUB PANELU ZABEZPIEZAJĄCEGO W SPODNIEJ CZĘŚCI ELEMENTU



WSKAŹNIK ZUŻYCIA PALIWA: 2,0 KG/H (4,4 LB/H)

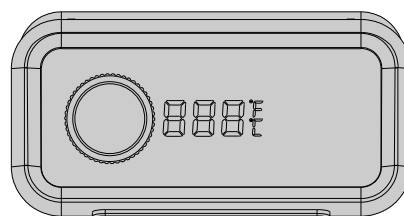
PANEL STEROWANIA

PRZEWÓD ZASILAJĄCY Z UZIEMIENIEM



ADAPTER MĘSKI

ZIEMIA



SONDA GRILLA

KONSTRUKCJA Z ZAPALNIKIEM / NAGRZEWNICA O DUŻEJ GĘSTOŚCI
200 W, 230 V, 0.375" X 5.000" / 9.5 X 127 MM

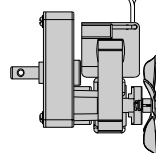
OŚWIETLENIE
25 W, 230 V

INDEKS

K : CZARNY
W : BIAŁY
R : CZERWONY
Y : ŻÓŁTY
P : FIOLETOWY
O : POMARAŃCZOWY
G : ZIELONY

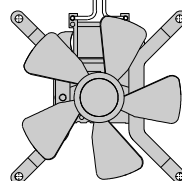
SILNIK I UKŁAD DOPROWADZAJĄCY PODAJNIKA

SILNIK 230 V, 50 Hz, 2 RPM



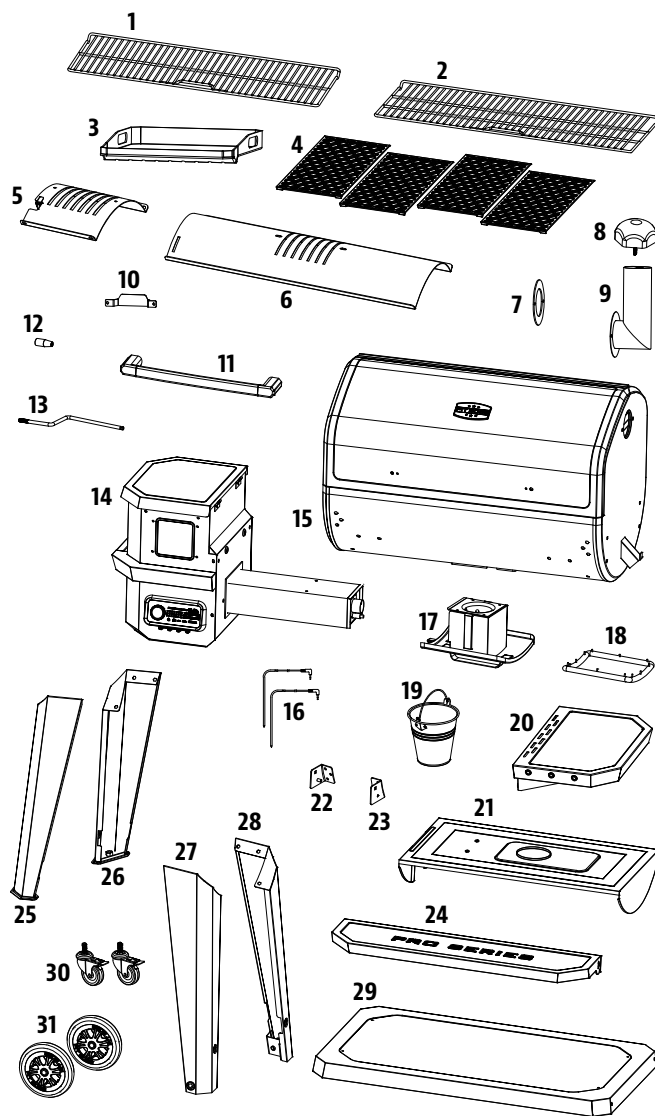
WENTYLATOR WYCIĄGOWY

230 V, 50 Hz, 1 FAZA



CZĘŚCI ZAMIENNE GRILLA

Nr części	Opis
1	Ruszt górny (x1)
2	Ruszt środkowy (x1)
3	Płyta grillowa (x1)
4	Ruszty do gotowania (x4)
5	Zasłona płomienia (x1)
6	Płyta główna do grillowania na ogniu (x1)
7	Uszczelka komina (x1)
8	Przykrywka komina (x1)
9	Pion komina (x1)
10	Uchwyt rusztu (x1)
11	Uchwyt pokrywy (x1)
12	Uchwyt pręta do regulacji zasłony grillowania na ogniu (x1)
13	Pręt do regulacji zasłony grillowania na ogniu (x1)
14	Konstrukcja ze zbiornikiem (x1)
15	Korpus beczkowy (x1)
16	Termosonda (x2)
17	Popielniczka (x1)
18	Uszczelka popielniczka (x1)
19	Wiadro na tłuszcz (x1)
20	Półka boczna (x1)
21	Płyta dyfuzora (x1)
22	Wspornik półki przedniej / lewy (x1)
23	Wspornik półki przedniej / prawy (x1)
24	Półka przednia (x1)
25	Lewa noga podpierająca – przednia (x1)
26	Lewa noga podpierająca – tylna (x1)
27	Prawa noga podpierająca – przednia (x1)
28	Prawa noga podpierająca – tylna (x1)
29	Półka dolna (x1)
30	Kółko samonastawne z blokadą (x2)
31	Kółko (x2)
A	Śruba (x28)
B	Podkładka (x24)
C	Podkładka zabezpieczająca (x22)
D	Hak na akcesoria (x3)
E	Zawlecza do koła (x2)
F	Podkładka do koła (x2)
G	Sworzeń zwrotnicy do koła (x2)
H	Śruba (x2)
I	Nakrętka (x2)
J	Tuleja (x2)



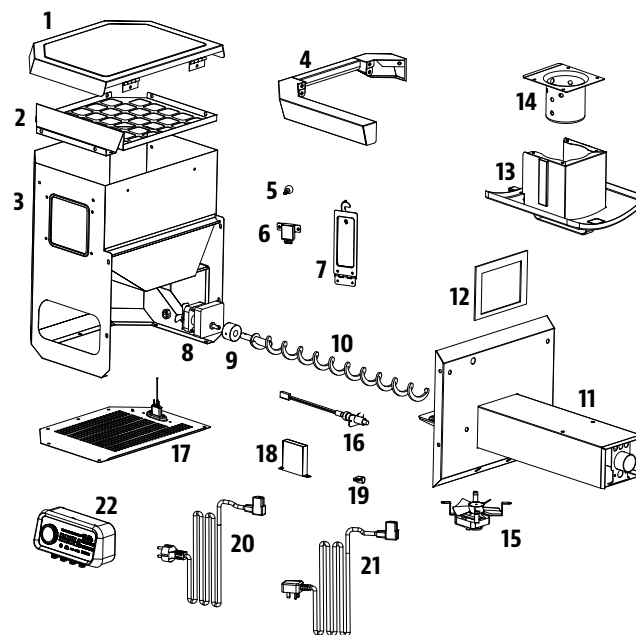
UWAGA: Ze względu na nieustanny rozwój produktu jego części mogą zostać zmienione bez uprzedzenia.

PL

POLSKIE

CZĘŚCI ZAMIENNE ZBIORNIKA

Nr części	Opis
1	Pokrywa zbiornika (x1)
2	Ostona zabezpieczająca zbiornika (x1)
3	Obudowa zbiornika (x1)
4	Uchwyt zbiornika (x1)
5	Uchwyt szafki zsykowej (x1)
6	Zespół rynny zsykowej (x1)
7	Drzwiczki rynny zsykowej (x1)
8	Silnik podajnika ślimakowego (x1)
9	Tuleja nylonowa (x1)
10	Zespół podajnika ślimakowego (x1)
11	Obudowa podajnika ślimakowego (x1)
12	Uszczelka obudowy zbiornika (x1)
13	Popielniczka (x1)
14	Palenisko (x1)
15	Wentylator powietrza do spalania (x1)
16	Zapalnik (x1)
17	Panel zabezpieczający zbiornika (x1)
18	Wodoodporna ostona przewodu zasilającego (x1)
19	Zaczep przewodu zasilającego (x1)
20	Przewód zasilający — wtyczka F (x1)
21	Przewód zasilający — wtyczka G (x1)
22	Panel sterowania (x1)



GWARANCJA

WARUNKI

Wszystkie grille na pellet drzewny Pit Boss® produkowane przez firmę Dansons objęte są ograniczoną gwarancją od daty kupna przez pierwszego właściciela. Okres gwarancji rozpoczyna się w dniu pierwszego zakupu i do potwierdzenia ważności gwarancji wymagane jest zaświadczenie o dacie zakupu lub kopia oryginalnego paragonu. Klienci będą zobowiązani uiszczać opłaty za części, wysyłkę i obsługę, jeśli nie będą w stanie przedstawić dowodu zakupu lub jeśli upłył okres gwarancji. Firma Dansons udziela gwarancji usunięcia usterek i wad wykonawczych na okres pięciu (5) lat dla wszystkich części urządzenia i także na okres pięciu (5) lat dla podzespołów elektronicznych. Dansons gwarantuje, że przez cały okres użytkowania urządzenia i dysponowania nim przez pierwszego nabywcę, wszystkie części urządzenia będą wolne od wad materiałowych i wykonawczych. Gwarancja nie obejmuje uszkodzeń spowodowanych zużyciem, w tym zarysowań, wgnieceń, wygięć, odprysków lub drobnych pęknięć. Te zmiany to problem natury estetycznej, który nie ma wpływu na działanie grilla. Naprawa lub wymiana dowolnej części nie wydłuża gwarancji ograniczonej do okresu dłuższego niż pięć (5) lat od daty zakupu.

W okresie obowiązywania gwarancji wyłącznym obowiązkiem firmy Dansons będzie dostarczanie zamienników wadliwych i/lub uszkodzonych komponentów. Firma Dansons nie będzie pobierać opłat za naprawę lub wymianę zwracanych części i opłacony z góry fracht, pod warunkiem, że gwarancja nadal będzie obowiązywać i Dansons uzna te części za wadliwe na podstawie badania. Dansons nie ponosi odpowiedzialności za opłaty transportowe, koszty pracy ani cła wywozowe. O ile niniejsze warunki gwarancji nie stanowią inaczej, naprawa lub wymiana części w sposób i w okresie określonym powyżej będzie tożsama z wypełnieniem wszystkich bezpośrednich i pochodnych zobowiązań Dansons wobec nabywcy urządzenia.

Dansons dokłada wszelkich starań, aby wykorzystywane materiały opóźniały pojawianie się rdzy. Nawet przy takich zabezpieczeniach powłoki ochronne mogą być narażone na działanie różnych substancji i warunków atmosferycznych, na co Dansons nie ma wpływu. Wysokie temperatury, nadmierna wilgotność, chlor, spaliny przemysłowe, nawozy, pestycydy i sól to tylko niektóre z substancji, które mogą mieć wpływ na stan metalowych powłok. Z tego względu gwarancja nie obejmuje rdzewienia ani oksydacji, chyba że nastąpi utrata integralności konstrukcyjnej elementu grilla. W razie wystąpienia jakiegokolwiek z powyższych problemów, prosimy o zapoznanie się z rozdziałem dotyczącym pielęgnacji i konserwacji, które pozwalają na przedłużenie żywotności urządzenia. Dansons zaleca zamykanie pokrywy grilla, gdy nie jest on używany. Niniejsza gwarancja dotyczy prawidłowego użytkowania oraz konserwacji grilla w warunkach domowych, natomiast żadna z gwarancji nie ma zastosowania w przypadku użytkowania grilla do celów komercyjnych.

WYJĄTKI

Nie istnieje żadna pisemna ani dorozumiana gwarancja wydajności urządzeń Pit Boss®, ponieważ producent nie ma kontroli nad instalacją, obsługą, pielęgnacją, konserwacją ani rodzajem spalanego paliwa. Niniejsza gwarancja nie będzie miała zastosowania, a firmę Dansons obejmować będzie wyłączenie odpowiedzialności w wypadku, gdy instalacja, obsługa, pielęgnacja i konserwacja nie były przeprowadzane zgodnie z instrukcją użytkownika. Każde niezgodne z niniejszą instrukcją użycie gazu może unieważnić gwarancję. Gwarancja nie obejmuje uszkodzeń ani stłuczeń spowodowanych niewłaściwym użytkowaniem, nieprawidłową obsługą lub wprowadzonymi modyfikacjami. Ani Dansons, ani autoryzowany sprzedawca Pit Boss®, nie ponoszą odpowiedzialności prawnej ani żaden innej za szkody uboczne lub następne wyrządzone osobom i w majątku, powstałe w wyniku użytkowania tego produktu. Niezależnie od tego, czy roszczenie dotyczy firmy Dansons w oparciu o naruszenie niniejszej gwarancji czy też dowolnego innego rodzaju gwarancji wyrażonej lub dorozumianej przez prawo, producent w żadnym wypadku nie ponosi odpowiedzialności za jakiekolwiek szczególne, pośrednie, wynikowe lub inne szkody dowolnego typu, które nie powstały w ramach pierwszego zakupu tego produktu. Wszelkie gwarancje producenta są określone w niniejszym dokumencie i nie można dochodzić żadnych roszczeń względem producenta z tytułu żadnej innej gwarancji lub oświadczenia. Niektóre stany USA nie zezwalają na wyłączenie lub ograniczenie odpowiedzialności za szkody uboczne lub następne, a także na ograniczone gwarancje dorozumiane, dlatego ograniczenia lub wyłączenia określone w niniejszej gwarancji ograniczonej nie wszędzie mają zastosowanie. Niniejsza ograniczona gwarancja zapewnia określone prawa, ale prawa te mogą być różne dla różnych stanów USA.

ZAMAWIANIE CZĘŚCI ZAMIENNYCH GRILLA

Aby zamówić części zamienne, skontaktuj się z lokalnym sprzedawcą Pit Boss® lub odwiedź nasz sklep internetowy: www.pitboss-grills.com

SKONTAKTUJ SIĘ Z DZIAŁEM OBSŁUGI KLIENTA

W przypadku pytań lub problemów skontaktuj się z działem obsługi klienta pod adresem www.pitboss-grills.com

OBSŁUGA GWARANCYJNA

W celu naprawy lub zamówienia części zamiennych skontaktuj się z najbliższym sprzedawcą Pit Boss®. Dansons wymaga dowodu zakupu do ustalenia zasadności roszczenia gwarancyjnego; zachowaj zatem oryginalny paragon lub fakturę, by mieć do nich dostęp w przyszłości. Numer seryjny i model urządzenia Pit Boss® znajdują się wewnątrz pokrywy zbiornika. Zapisz te numery poniżej, ponieważ etykieta może z czasem wyblaknąć lub stać się nieczytelna.

MODEL

NUMER SERYJNY

DATA ZAKUPU

AUTORYZOWANY SPRZEDAWCA

PL

POLSKIE

SÄKERHETSINFORMATION

HUVUDSAKLIGA ORSAKER TILL ATT APPARATEN FATTAR ELD ÄR TILL FÖLJD AV DÅLIGT UNDERHÅLL OCH UNDERLÅTENHET ATT HÅLLA SÄKERT AVSTÅND FRÅN BRÄNNBARA MATERIAL. DET ÄR AV YTTERSTA VIKT ATT DEN HÄR PRODUKTEN ENDAST ANVÄNDS I ENLIGHET MED FÖLJANDE INSTRUKTIONER.

Läs igenom och se till att du förstår hela bruksanvisningen före du börjar montera, använda eller installera produkten. Det säkerställer att användningen av din nya pelletsgrill blir en behaglig och problemfri upplevelse. Vi rekommenderar även att du sparar bruksanvisningen för framtida bruk.

FAROR OCH VARNINGAR

Du måste kontakta ditt lokala bostadsbolag, byggnads- eller brandmyndigheter eller annan relevant myndighet för att få nödvändiga tillstånd och information om installationsbegränsningar, som till exempel avser placering av grillen på ett brännbart underlag, inspektionskrav eller till och med användningsförmåga, för ditt område.

1. Det krävs ett minsta avstånd på 914 mm (36 tum) mellan brandfarliga konstruktioner och grillens sidor. Håll dessutom alltid ett avstånd på 914 mm (36 tum) mellan grillens baksida och brandfarliga konstruktioner. **Installera inte apparaten på brandfarliga golv eller golv som är skyddade med brandfarliga material utan att giltiga tillstånd erhållits från behörig myndighet.** Använd inte apparaten inomhus, i ett slutet eller oventilerat utrymme, i bostäder, fordon, tält eller garage. Placera inte pelletsapparaten under brännbara tak eller markiser. Placera grillen på en yta som är fri från brandfarliga material, bensin och andra brandfarliga ångor eller vätskor.

Om det skulle uppstå en fettbrand slår du av grillen och lämnar locket på tills branden har släckts. Dra ur strömsladdens kontakt. Släng inte vatten över enheten. Försök inte kväva elden. Det är rekommenderat att placera en brandsläckare i klass ABC på plats. Om en okontrollerad brand inträffar ringer du brandkåren.

2. Håll elsladdarna och bränslet på lämpligt avstånd från uppvärmda ytor. Använd inte grillen när det regnar eller vid någon vattenkälla. En skadad nätkabel måste bytas ut av tillverkaren, tillverkarens serviceombud eller annan kvalificerad personal för att undvika risken att olyckor uppstår.
3. Om grillen har stått i förvar eller inte använts under en tid bör du kontrollera att förbränningskammaren inte är tilltäppt, att det inte finns främmande föremål i pelletstanken och att luftintaget inte är blockerat till fläkten eller skorstenen. Rengör före användning. Regelbundet underhåll krävs för att förlänga enhetens livstid. **Om grillen förvaras utomhus under årstider med mycket regn och fuktighet är det viktigt att vara aktsam så att det inte tränger in vatten i pelletstanken.** Om träpellets exponeras för hög fuktighet sväller de och löses upp och kan skapa stopp i matningssystemet. Slå alltid av strömmen innan du utför service och underhåll.

Flytta inte på grillen under användning eller när den är varm. Se till att lågan är släckt och att grillen är helt avsvältnad innan du vidrör eller flyttar den.

4. Vi rekommenderar att du använder värmebeständiga grillhandskar när du använder grillen. Använd inte tillbehör som inte är avsedda att användas med den här apparaten. Lagg inte grillöverdraget eller något brandfarligt material i förvaringsutrymmet under grillen.

5. För att förebygga att fingrar, kläder och andra objekt kommer i kontakt med inmatningssystemet är apparaten utrustad med en säkerhetsskärm i metall på insidan av pelletstanken. Den här skärmen får inte tas bort såvida du inte uppmanas av kundtjänst eller en auktoriserad återförsäljare.

Den här apparaten kan användas av barn i en ålder av minst 8 år, personer med fysiska, sensoriska eller psykiska funktionshinder, eller som saknar erfarenhet och kännedom om apparaten, om de står under uppsikt eller instrueras om hur apparaten ska användas på ett säkert sätt och förstår riskerna med användningen av apparaten. Barn får inte leka med apparaten. Barn får inte utföra rengöring och användarunderhåll utan övervakning.

6. Vissa delar av grillen kan vara mycket heta och orsaka allvarlig skada. Se till att hålla barn och husdjur på lämpligt avstånd under användning.
7. Förstora inte tändarhål eller förbränningskammare. Underlåtenhet att följa den här varningen kan leda till brandrisk och kroppsskada och täcks inte av garantin.
8. Produkten kan ha vassa kanter och hörn. Kontakt kan resultera i kroppsskada. Hantera varsamt.

BORTSKAFFANDE AV ASKA

Aska ska läggas i en metallbehållare med tättslutande lock. Den förslutna behållaren med aska ska placeras på ett icke-brandfarligt golv eller på marken på säkert avstånd till brandfarliga material i väntan på bortskaftande. Om askan ska avyttras genom att grävas ned eller på annat sätt spridas lokalt, ska den först behållas i behållaren tills den är helt avsväljad.

BRÄNSLEPELLETS I TRÄ

Den här pelletsapparaten har utformats och godkänts för endast pelletiserat träbränsle. Vid eventuell användning av andra bränsletyper i apparaten upphävs garantin och säkerhetslistningen. Endast träpellets avsedda för pelletsgrillar får användas. Använd inte bränsle med tillsatser. Träpellets är mycket känsliga för fukt och ska alltid förvaras i en lufttät behållare. Om du ställer undan grillen under en längre period, rekommenderar vi att du tömmer och rengör pelletstanken och inmatningskolven för att förebygga stopp. Bränslepellets ger ett medelvärmeverde på 8 000–8 770 BTU/LB och ett askinnehåll < 1 %.

Använd inte sprit, olja, bensin, tändvätska eller fotogen för att tända eller få fyr på glöden i grillen. Förvara alla sådana vätskor på lämpligt avstånd när apparaten används.

Vid tidpunkten för tryckning finns ingen branschstandard för grillpellets, men de flesta pelletverk använder samma standarder vid tillverkning av träpellets för hushållsbruk som för industrin. Mer information finns på www.pelletheat.org eller på *Pellet Fuel Institute*.

Kontakta din lokala handlare angående kvaliteten på pellets i ditt område och för att få information olika varumärken. Eftersom de inte finns någon kvalitetskontroll, och eftersom fukt påverkar pellets, tar vi inget ansvar för skada som orsakas av dålig bränslekvalitet.

KREOSOT

Kreosot, eller sot, är en tjärliknande substans. Vid förbränning bildas en svart rök med en rest som också är svart. Sot eller kreosot bildas när apparaten hanteras felaktigt, till exempel genom blockering av förbränningsfläkten, underlåtenhet att rengöra och underhålla förbränningsområdet eller bristande luft/bränsleförbränning.

Det är farligt att använda apparaten om lågan blir mörk, sotig eller om förbränningskammaren är överfylld med pellets. När kreosot tänds skapas en extremt het och okontrollerad eld som liknar fettbrand. Om det skulle inträffa slår du av enheten, låter den svalna och utför sedan underhåll och rengöring. Kreosot kan bildas vid utloppsområden.

Om det har bildats kreosot inuti enheten ska enheten värmas upp till låg temperatur, slås av och sedan torkas ur med en handduk. Kreosot är lättare att rengöra om enheten är varm eftersom det blir flytande, på samma sätt som tjära.

KOLMONOXID ("DEN TYSTA MÖRDAREN")

Kolmonoxid är en färglös, luktfri, smaklös gas som bildas vid förbränning av gas, trä, propan, träkol eller annat bränsle. Kolmonoxid begränsar blodets förmåga att ta upp syre. Låga syrenivåer i blodet kan resultera i huvudvärk, yrsel, kraftlöshet, illamående, kräkningar, dåsighet, förvirring, medvetlöshet eller död. Följ de här riktlinjerna för att förhindra att sådan färglös, luktfri gas förgiftar dig, någon i din familj eller andra personer:

- Kontakta läkare om du eller någon annan upplever influensaliknande symptom under grillningen eller i närheten av apparaten. Kolmonoxidförgiftning kan enkelt misstas för förkylning eller influensa och upptäcks ofta försent.
- Alkoholkonsumtion och droganvändning förvärrar effekterna av kolmonoxidförgiftning.

Kolmonoxid är särskilt giftigt för gravida kvinnor och foster, spädbarn, äldre personer, rökare och personer med blod- eller hjärtkärlsjukdom, t.ex. anemi eller hjärtsjukdom.

SÄKERHETSLISTNING

Uppfyller kraven i EN 60335-2-102:2016, EN 60335-1:2012 + A11:2014 + A13:2017 + A1: 2019 + A14: 2019 + A2: 2019, EN62233: 2008, EN 55014-1:2017, EN IEC 61000-3-2:2019, EN 61000-3-3:2013+A1:2019, EN 55014-2:2015.



ENLIGT FCC-ÖVERENSSTÄMMELSE

Den här enheten uppfyller del 15 i FCC-reglerna. Användningen är underställd följande två villkor: (1) Den här enheten får inte ge upphov till skadliga störningar, och (2) Den här enheten måste kunna hantera alla mottagna störningar, inklusive störningar som kan orsaka oönskad användning.



Denna utrustning har testats och befunnits överensstämma med gränserna för en digital enhet i klass B i enlighet med del 15 i FCC-reglerna. Dessa gränser är utformade för att ge rimligt skydd mot skadliga störningar vid installation i hemmiljöer. Den här utrustningen genererar, använder och kan utstråla radiofrekvensenergi och kan, om den inte installeras och används enligt instruktionerna, orsaka skadliga störningar på radiokommunikation. Inga garantier kan dock lämnas för att störningar inte kommer att inträffa i en viss installation. Om den här utrustningen orsakar skadlig störning av radio- eller tv-mottagning, vilket kan bestämmas genom att stänga av och på utrustningen, uppmanas användaren att försöka korrigera störningen med en eller flera av följande åtgärder:

- Vrida eller flytta mottagarantennen.
- Öka avståndet mellan utrustningen och mottagaren.
- Ansluta utrustningen till ett eluttag i en annan fas än den som mottagaren är ansluten till.
- Kontakta återförsäljaren eller en erfaren radio-/TV-tekniker för att få hjälp.

Varning: Användaren varnas för att ändringar eller modifieringar som inte uttryckligen godkänts av den part som ansvarar för överensstämmelse kan upphäva användarens behörighet att använda utrustningen.

Varumärket och logotypen Bluetooth® och tillhör Bluetooth® SIG, Inc. och Espressif använder det under licens. Andra varumärken och skyddade namn tillhör respektive ägare.



MEDDELANDE OM UPPHOVSRÄTT

Copyright 2021. Alla rättigheter förbehålles. Denna bruksanvisning får inte kopieras, överföras, transkriberas eller lagras i ett sökbart system, i någon del, form eller på något sätt, utan uttryckligt skriftligt tillstånd från

DANSONS EUROPE

11 Rue Galvani Paris, Frankrike 75017

DANSONS NORDAMERIKA

3411 North 5th Avenue, Suite 500, Phoenix, AZ, USA 85013

KUNDTJÄNST

www.pitboss-grills.com

INNEHÅLLSFÖRTECKNING

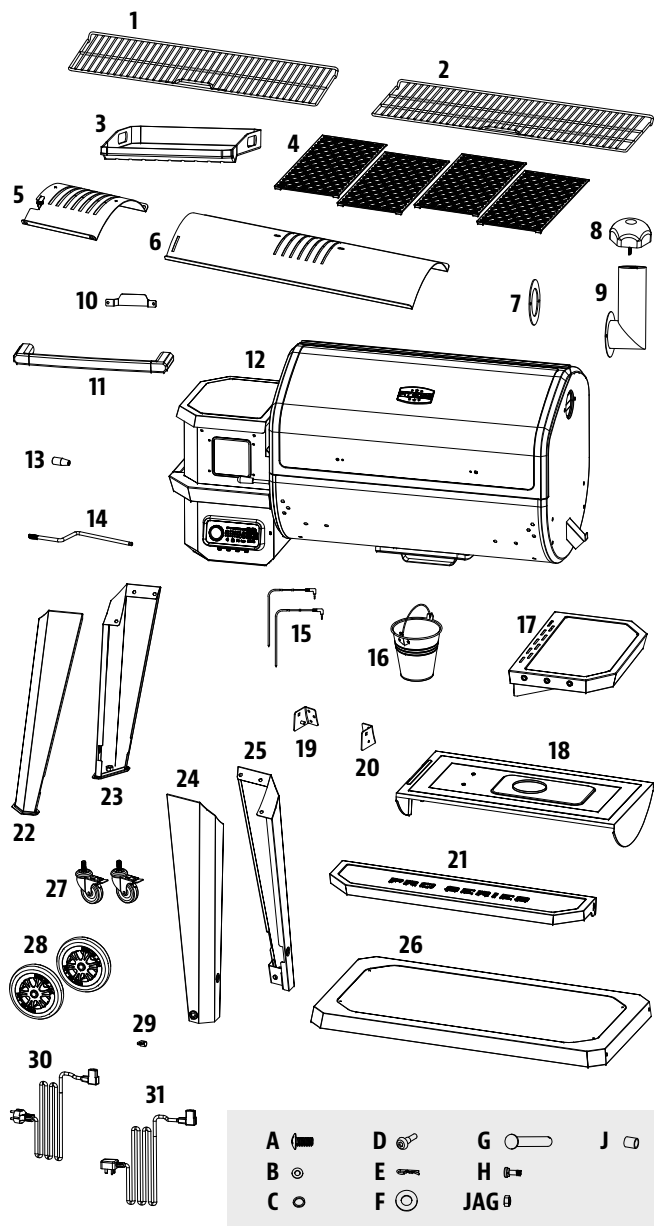
Säkerhetsinformation	254
Delar och specifikationer	258
Förberedelse för montering	259
Monteringsinstruktioner	
Montera benen på huvudbehållaren	259
Installera bottenhyllan	260
Lägga till hjul i vagnen	260
Installera lockhandtaget	260
Montera sidohyllan	261
Montering av sidohyllan	261
Fästa skorstenen	261
Montera fästena till framhyllan	262
Installera framhyllan	262
Placera diffusorplattan	262
Installera flamgrillskomponenterna	263
Installera grillkomponenterna	264
Montering av rackhängare	264
Hänga upp dropphinken	264
Installation av nätkabeln	265
Ansluta till en strömkälla	265
Användningsinstruktioner	
Grillmiljö	266
Intervall för grilltemperaturer	267
Förstå kontrollpanelen	268
Funktioner på kontrollpanelen	269
Ansluta till appen Smoke It®	271
Påfyllningsprocedur för pelletstanken	272
Första användning – avbränning av grillen	272
Automatisk startprocedur	272
Stänga av grillen	272
Skötsel och underhåll	273
Tips och tekniker	275
Felsökning	276
Elektriskt kopplingsschema	278
Reservdelar	
Reservdelar till grillen	279
Reservdelar till pelletstanken	280
Garanti	281

SE

SVENSKA

DELAR OCH SPECIFIKATIONER

Delnr	Beskrivning
1	Översta grillhyllan (x 1)
2	Mellersta grillhyllan (x 1)
3	Häll (x 1)
4	Grillgaller (x 4)
5	Skjutreglage för flamgrill (x 1)
6	Huvudplatta för flamgrill (x 1)
7	Skorstenspackning (x 1)
8	Skorstenslock (x 1)
9	Skorstensrör (x 1)
10	Hyllfäste (x 1)
11	Lockhandtag (x 1)
12	Huvudbehållare/pelletstankenhet (x 1)
13	Handtag till skjutreglage för flamgrill (x 1)
14	Skjutreglage till flamgrill (x 1)
15	Köttermometer (x 2)
16	Drophink (x 1)
17	Sidohylla (x 1)
18	Diffusorplåt (x 1)
19	Fäste till framhylla/vänster (x1)
20	Fäste till framhylla/höger (x1)
21	Framhylla (x 1)
22	Vänster stödben - fram (x 1)
23	Vänster stödben - bak (x 1)
24	Höger stödben - fram (x 1)
25	Höger stödben - bak (x 1)
26	Bottenhylla (x 1)
27	Rullhjul med låsmekanism (x 2)
28	Hjul (x 2)
29	Klämma för nätkabel (x 1)
30	Nätkabel - F-kontakt (x 1)
31	Nätkabel - G-kontakt (x 1)
A	Skruv (x28)
B	Bricka (x24)
C	Låsbricka (x 22)
D	Verktyskrok (x 3)
E	Saxsprint till hjul (x 2)
F	Bricka till hjul (x 2)
G	Sprint till hjulaxel (x 2)
H	Skruv (x2)
Jag	Mutter (x 2)
J	Bussning (x 2)



OBS! Till följd av kontinuerlig produktutveckling kan delar bytas för enheten utan föregående meddelande. Kontakta kundtjänst om det saknas delar för montering av enheten.

PB – ELEKTRISKA KRAV
220-240 V, 50 Hz, 275 W, JORDAD KONTAKT

MODELL	MONTERAD (WxDxH)	VIKT	GRILLOMRÅDE	TEMPERATURINTERVALL
PB PB1600PS1	1 587,5 MM x 813,5 MM x 1 400 MM/ 62,50 TUM x 32,03 TUM. x 55,12 TUM	110,0 KG / 242.5 LB	TOPPSTATIV – 2 474,8 CM ² / 383,6 KVADRATTUM MELLAN – 3 249,6 CM ² / 503,7 KVADRATTUM HUVUD – 4 587,1 CM ² / 711,0 KVADRATTUM TOTALT – 10 311,5 CM ² / 1598,3 KVADRATTUM	82-260 °C / 180-500 °F

FÖRBEREDELSE FÖR MONTERING

Delarnas visas över hela leveranskartongen, inklusive på grillens undersida. Kontrollera grillen, delarna och paketet med tillbehör efter att det har tagits upp ur leveranskartongen. Avlägsna allt förpackningsmaterial inuti och utanpå grillen och kontrollera sedan alla delar mot listan över delarna. Om någon del saknas eller är skadad väntar du med monteringen. Skador som tillkommer under transport täcks inte av garantin. Kontakta din återförsäljare eller Pit Boss® kundtjänst om du behöver reservdelar.

www.pitboss-grills.com

VIKTIGT! För enklare installation är det smidigt att vara två personer (men inte nödvändigt) när enheten monteras ihop.

Nödvändiga verktyg för installationen: skruvmejsel och vattenpass. *Verktyg ingår inte.*



MONTERINGSINSTRUKTIONER

VIKTIGT! Vi rekommenderar att du läser igenom varje steg noggrant innan du börjar montera ihop enheten. Dra inte åt skruvarna helt förrän alla skruvar för respektive steg har installerats. Tillbehöret som innehåller en låsbricka och en bricka ska installeras med låsbrickan närmast skruvhuvudet.

1. MONTERA BENEN PÅ HUVUDBEHÅLLAREN

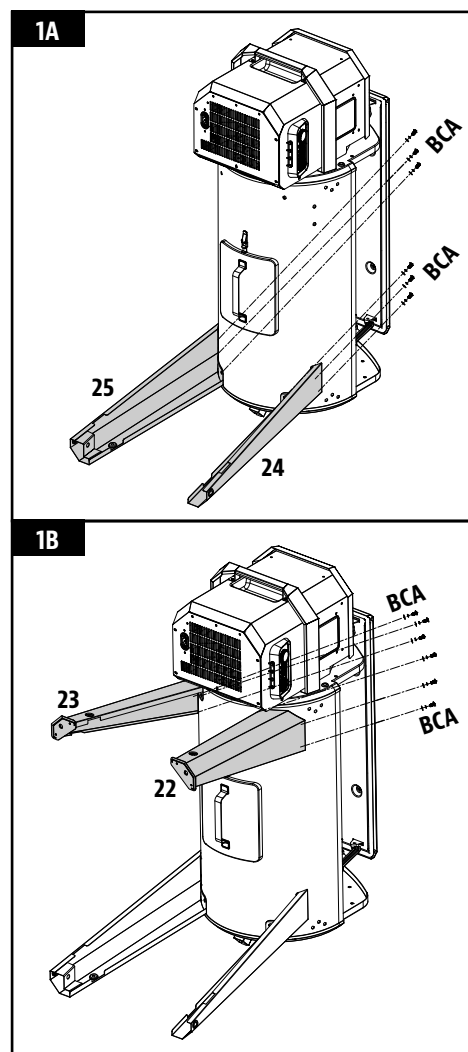
Delar:

- 1 x Huvudbehållare/pelletstank (#12)
- 1 x Vänster stödben – fram (# 22)
- 1 x Vänster stödben – bak (#23)
- 1 x Höger stödben – fram (#24)
- 1 x Höger stödben – bak (#25)
- 12 x Skruv (#A)
- 12 x Bricka (#B)
- 12 x Låsbricka (#C)

Installation:

- Lagg en bit kartong på golvet för att skydda enheten mot repor under monteringen. Lagg huvudbehållaren på sidan på kartongen med pelletstanken vänd uppåt.
- Montera det främre högra stödbenet på golvänden på huvudbehållaren med tre skruvar, låsbrickor och brickor genom de tre förborrade hålen. Montera skruvarna från insidan av huvudbehållaren. Upprepa proceduren för bakre högra stödbenet. Se illustration 1A.
- Därefter monteras det främre vänstra stödbenet på pelletstanken i slutet på huvudbehållaren med tre skruvar, låsbrickor och brickor genom de tre förborrade hålen. Montera skruvarna från insidan av huvudbehållaren. Upprepa proceduren för bakre vänstra stödbenet. Se illustration 1B.

VIKTIGT: Dra inte åt skruvarna helt förrän bottenhyllan installeras i nästa steg.



SE

SVENSKA

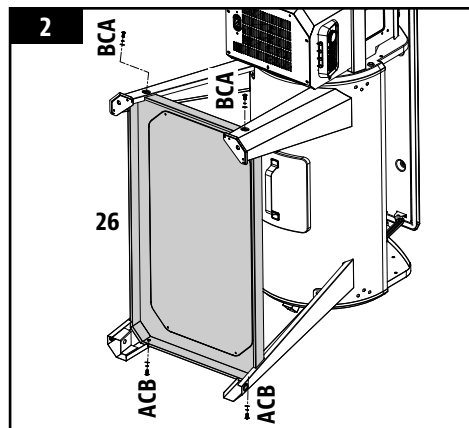
2. INSTALLERA BOTTENHYLLAN

Delar:

- 1 x Bottenhylla (#26)
- 4 x Skruv (#A)
- 4 x Bricka (#B)
- 4 x Låsbricka (#C)

Installation:

- Fäst bottenhyllan på varje stödben med en skruv, låsbricka och bricka. Se till att den platta ytan på hyllan är vänd uppåt mot grillens behållare.



3. LÄGGA TILL HJUL I VAGNEN

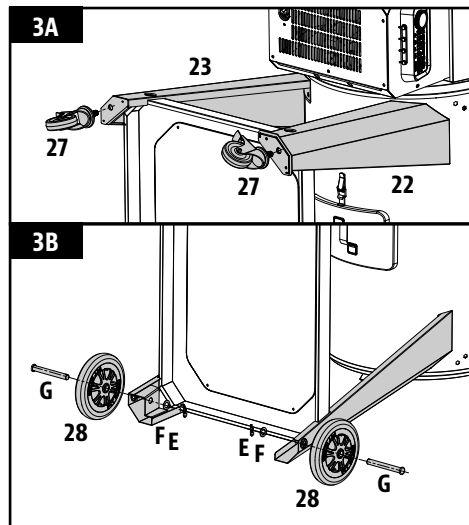
Delar:

- 2 x Rullhjul med låsmekanism (#27)
- 2 x Hjul (#28)
- 2 x Saxsprint till hjul (#E)
- 2 x Bricka för hjul (#F)
- 2 x Sprint till hjulaxel (#G)

Installation:

- Sätt i rullhjulen med låsmekanism i varje vänster stödben och skruva åt för hand in i hålen. Se till att varje rullhjul med låsmekanism sitter fast ordentligt. Se illustration 3A.
- Fäst varje hjul på de högra stödbenen genom att föra in hjulaxelsprinten genom hjulet, hålet på supportbenet, hjulbrickan. Fäst slutligen med hjulets saxsprint. Se illustration 3B.
- När hyllan sitter fast ordentligt lyfter du försiktigt upp grillen i upprätt läge.

VIKTIGT: Dra åt stödbenets skruvar igen så att de är helt säkra efter att du har placerat grillen upprätt.



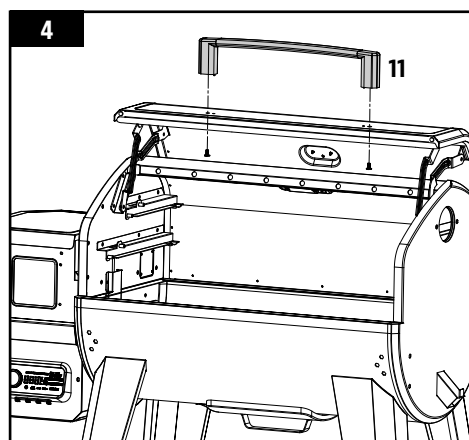
4. INSTALLERA LOCKHANDTAGET

Delar:

- 1 x Lockhandtag (#11)

Installation:

- Ta bort de förinstallerade skruvarna på lockhandtaget. För in en skruv från insidan av behållarens lock och dra sedan åt skruven för hand (från insidan) i lockets handtag. Upprepa samma installation på andra änden av lockets handtag.



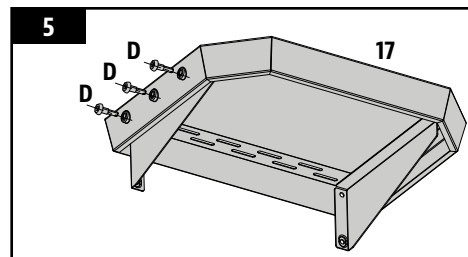
5. MONTERA SIDOHYLLAN

Delar:

- 1 x Sidohylla (#17)
- 3 x Verktygskrok (#D)

Installation:

- Vänd sidohyllan upp och ner. På kanten av sidohyllan med tre hål, installera verktygskrokarna i varje hål längs kanten. Verktygskrokarna kommer att fästa vid muttern som är förmonterad på insidan.



6. MONTERING AV SIDOHYLLAN

Delar:

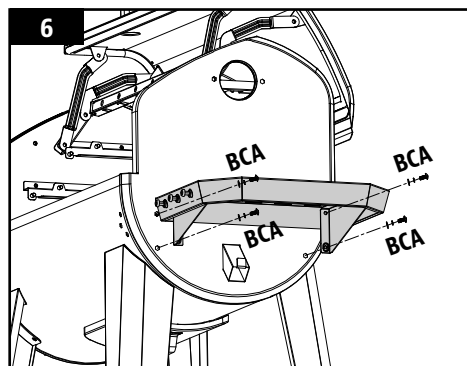
- 4 x Skruv (#A)
- 4 x Låsbricka (#C)
- 4 x Bricka (#B)

Installation:

- Fäst sidohyllan på huvudbehållarens sidopanel underifrån med fyra skruvar, låsbrickor och brickor.

OBS: Dra inte åt skruvarna helt förrän alla skruvar för respektive steg har installerats. Dra åt alla skruvar ordentligt när alla är monterade.

VIKTIGT! Undvik att använda hyllan för att flytta eller lyfta grillen. Enhetens vikt kommer att göra att hyllorna får sönder, vilket inte täcks av garantin.



7. FÄSTA SKORSTENEN

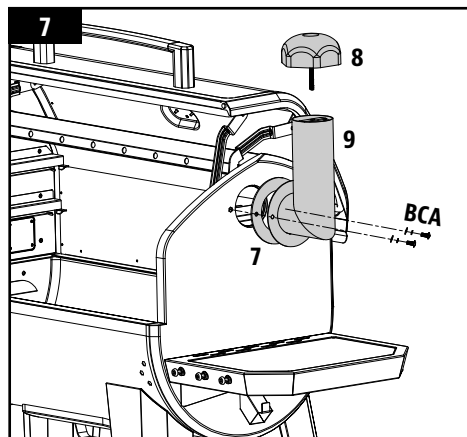
Delar:

- 1 x Skorstenspackning (#7)
- 1 x Skorstenslock (#8)
- 1 x Skorstensrör (#9)
- 2 x Skruv (#A)
- 2 x Låsbricka (#C)
- 2 x Bricka (#B)

Installation:

- Leta upp öppningen för skorstenen på sidan av huvudbehållaren. Fäst packningen för skorstenen och skorstensröret i sidopanelen från utsidan med två skruvar, låsbrickor och brickor. Skruven fästs i den förmonterade muttern på insidan av behållaren.
- Fäst sedan skorstenens lock på toppen av skorstenen genom att vrida skorstenens skruv i skorstenen.

OBSERVERA: Justera utrymmet på skorstenen för att påverka luftflödet inuti huvudgrillen. Öppna locket mer om du använder längre temperaturer. Se till att skorstenslocken släpper ut luft.



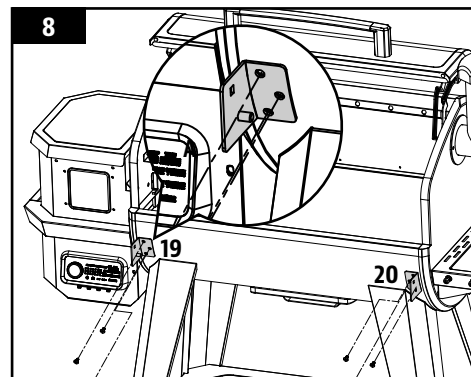
8. MONTERA FÄSTEN TILL FRAMHYLLAN

Delar:

- 1 x Fäste till framhylla / vänster (#19)
- 1 x Fäste till framhylla / höger (#20)
- 6 x Skruv (#A)

Installation:

- Skruva fast ett fäste för framhyllan på framsidan av grillbehållaren med tre skruvar. Skruva in varje skruv till hälften, skruva därefter in dem helt när båda skruvarna är monterade och korrekt inriktade.
- Upprepa samma installation för den andra hållaren till framhyllan.



9. INSTALLERA FRAMHYLLAN

Delar:

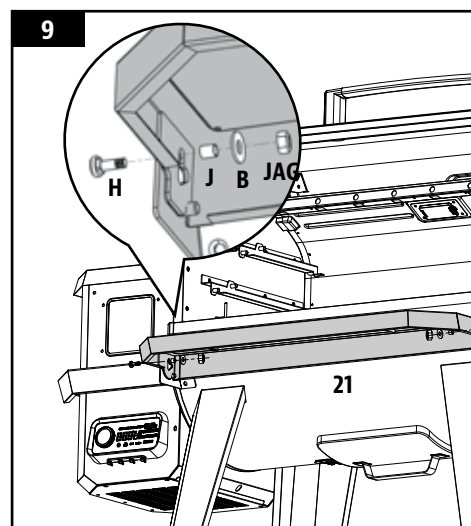
- 1 x Framhylla (#21)
- 2 x Bricka (#B)
- 2 x Skruv (#H)
- 2 x Mutter (#I)
- 2 x Bussning (#J)

Installation:

- Underifrån sätter du in skruven (från utsidan) i fästet till framhyllan och den främre hyllan, tillsätt sedan bussningen på skruven, brickan och sedan muttern. Upprepa installationen för den andra sidan av framhyllan.

OBSERVERA: När den är korrekt installerad kan fronthyllan enkelt höjas (för användning) och sänkas (för förvaring).

VIKTIGT! Undvik att använda hyllan för att flytta eller lyfta grillen. Enhetens vikt kommer att göra att hyllorna får sönder, vilket inte täcks av garantin.



10. PLACERA DIFFUSORPLATTAN

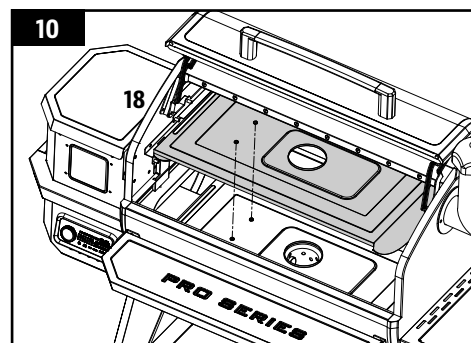
Delar:

- 1 x Diffusorplatta (#18)

Installation:

- Placera diffusorplattan i huvudbehållaren så att den centrala öppningen riktas in direkt med den cirkulära förbränningskammaren på basen till huvudbehållaren.

OBS: Diffusorplattan behöver inte fästas.



11. INSTALLERA KOMPONENTERNA TILL FLAMGRILLEN

Delar:

- 1 x Skjutreglage för flamgrill (#5)
- 1 x Huvudplatta för flamgrill (#6)
- 1 x Handtag till skjutreglage för flamgrill (#13)
- 1 x Flamgrillens skjutreglage (#14)

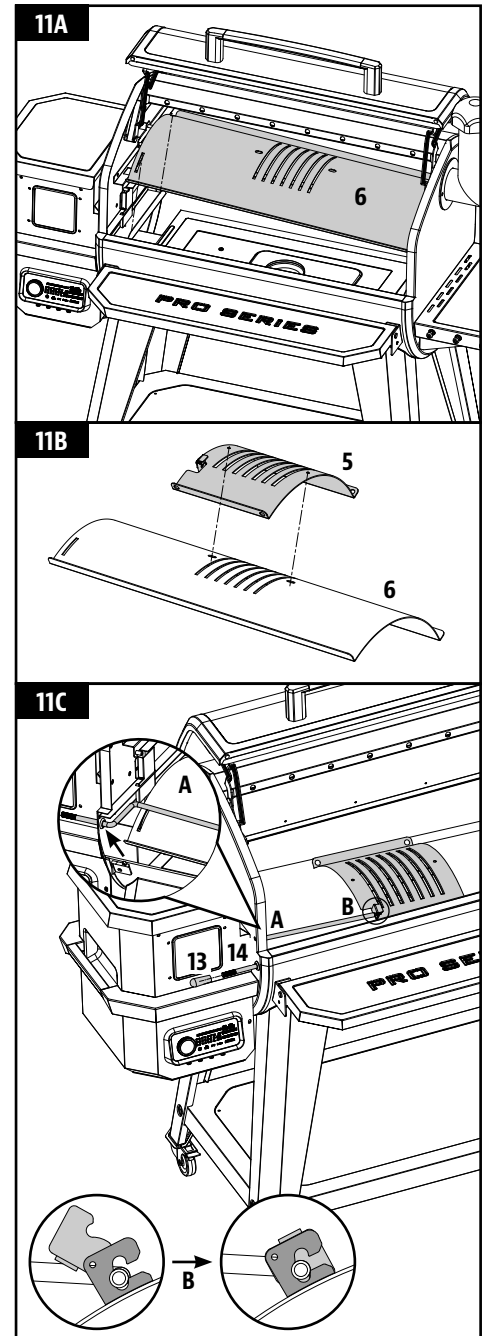
Installation:

- Sätt i flamgrillens huvudplatta i huvudgrillen med höger sida först. Luta flamgrillens huvudplatta mot den inbyggda kanten (på höger insida) på huvudgrillen som styr fett mot dropphinken. Skjut hela delen åt vänster sida och passa in de två spåren på flamgrillens huvudplatta i den rundande kanten ovanför förbränningskammaren. Huvudplattan kommer att luta en aning. Se 11A.

VIKTIGT! Om flamgrillens huvudplatta sitter på behållarens bas har den installerats felaktigt. Flamgrillens huvudplatta ska luta en aning nedåt åt höger. Dålig installation av denna del kan leda till att grillens huvudbehållare skadas.

- Sätt flamgrillens skjutreglage ovanpå flamgrillens huvudplatta så att den täcker de öppna spåren. Se till att den upphöjda fliken är till vänster för att enkelt kunna justera direkt eller indirekt låga under grillningen. Se illustration 11B. Båda delarna för flamgrillen är lätt bestrukna med olja för att undvika att delarna angrips av rost under leveransen.
- Lossa sedan det handtag som finns på flamgrillens skjutreglage. Sätt i flamgrillens skjutreglage genom öppningshålet på huvudbehållarens vänstra sida. Sätt tillbaka handtaget på flamgrillsskjutreglagets ände på behållarens utsida. För sedan in skjutreglagets räfflade ända i låsfliken på skjutreglaget för flamgrillen, så att du kan justera skjutreglaget för flamgrillen på huvudplattan. Se stegen i 11C.

OBS: Grillen får inte lämnas utan uppsikt vid något tillfälle när skjutreglaget är öppet och direkt flamgrillning används.



12. INSTALLERA GRILLKOMPONENTERNA

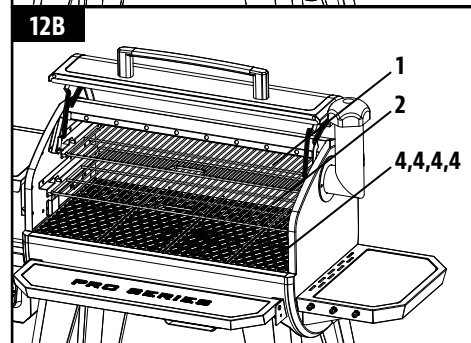
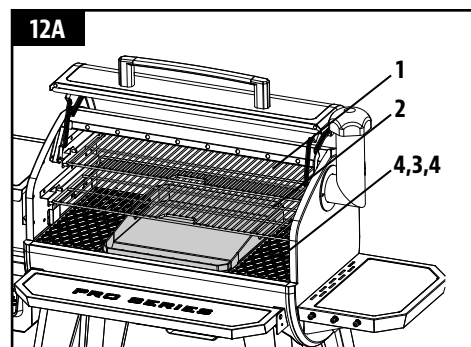
Delar:

- 1 x Övre grillhylla (#1)
- 1 x Mellangrillhylla (#2)
- 1 x Häll (#3)
- 4 x Grillgaller (#4)

Installation:

- Välj önskad huvudlagningsyta: två grillgaller med hällen (visas i 12A) eller fyra grillgaller (visas i 12B). Placera vald kombination av tillagningsytor på de nedre avsatserna inuti huvudgrillen.
- Därefter placerar du mellangrillhyllan på mittkanterna i huvudgrillen. Sätt det övre grillgallret på den övre gallerkanten i huvudgrillen.

OBSERVERA: Det är nödvändigt med god skötsel och regelbundet underhåll av grillgaller och grillhyllor för att bibehålla goda grillresultat.



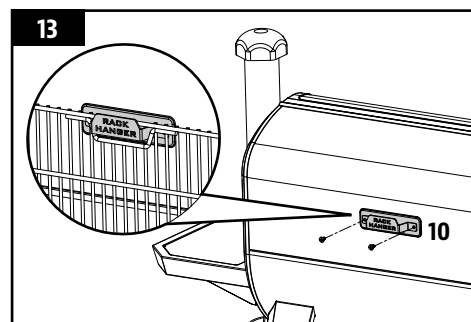
13. MONTERING AV HYLLFÄSTET

Delar:

- 1 x Hyllfäste (#10)

Installation:

- Fäst hyllfästet på huvudbehållarens bakpanel med de två skruvarna som förmonterats. Tillagningshyllan kan hängas på hyllfästet när de inte används.



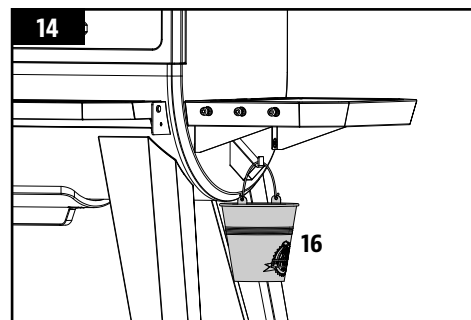
14. HÄNGA UPP DROPPHINKEN

Delar:

- 1 x Dropphink (#16)

Installation:

- Häng upp dropphinken på kroken vid pipen på huvudbehållarens sida. Se till att den är i nivå för att undvika spill.
- Enheten är nu färdigmonterad.



15. INSTALLATION AV NÄTKABELN

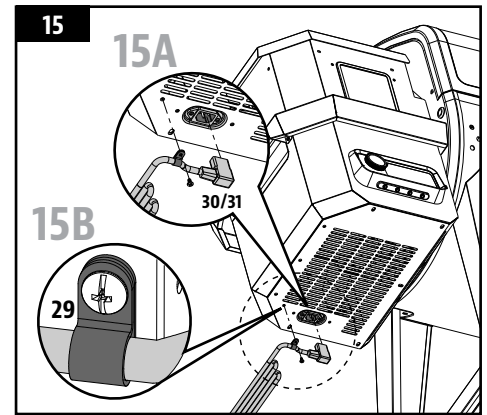
OBS! Förpackningen innehåller två olika nätkablar. Välj den nätkabel som passar eluttagen i din region.

Delar:

- 1 x Klämma för nätkabel (#29)
- 1 x Nätkabel (#30 eller #31)

Installation:

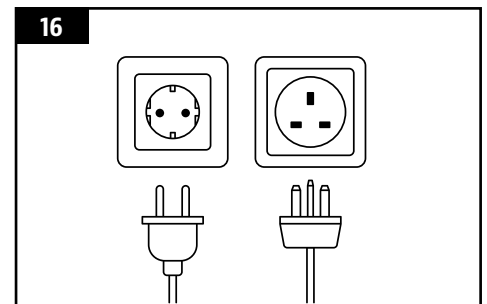
- Placera klämman för nätkabeln runt kabeln. För sedan in nätkabelns kontakt i uttaget på enhetens undersida. Se 15A.
- Fäst kraftklämman i bottenpanelen med den förinstallerade skruven, som visas. Se 15B.



16. ANSLUTA TILL EN STRÖMKÄLLA

- **STANDARDUTTAG**
Enheten drivs med 220–240 V, 50 Hz, 275 W. Den måste anslutas till ett jordat eluttag med tre stift. Se till att den jordade änden inte är trasig innan du börjar använda enheten. En snabb säkring (220–240 V) skyddar kontrollpanelen från tändaren.

VIKTIGT! Koppla ur enheten från strömkällan när den inte används.



ANVÄNDNINGSSINSTRUKTIONER

Dagens livsstil och vår strävan att äta hälsosam och näringsrik mat gör ett minskat fettintag till en viktig faktor. Och ett av de bästa sätten att skära ner på fett är att använda en fettsnål tillagningsmetod, till exempel grillning. Eftersom en pelletsgrill använder naturliga träpellets tränger den ljuvliga träsmaken in i köttet och minskar suget efter söta marinader och såser. Genom hela bruksanvisningen lyfter vi fram vikten av att grilla mat långsamt på LÅG eller MEDELHÖG temperatur.

GRILLMILJÖ

1. VAR GRILLEN SKA PLACERAS

Väderförhållanden spelar en stor roll för hur grillen fungerar och hur lång tid tillagningen tar eftersom den används utomhus.

Alla Pit Boss®-enheter måste ha ett minsta avstånd på 914 mm (36 tum) från brännbara konstruktioner, och det avståndet måste alltid hållas under användning. Apparaten får inte placeras under brännbara tak eller markiser. Ställ grillen på en yta som är fri från brännbara material, bensin och andra brandfarliga ångor eller vätskor.

2. GRILLA I KALLT VÄDER

Trots att det blir kallare utomhus betyder det inte att grillsäsongen är över! Den krispiga luften och himmelska rökdoften håller humöret uppe vemodiga vinterdagar.

Här följer några förslag på hur du kan njuta av grillen under de kallare månaderna:

- Om det inte går att röka vid låga temperaturer höjer du temperaturen något för att uppnå samma resultat.
- Organisera – Förbered allt du behöver inomhus i köket innan du ger dig ut i kylan. Se till att grillen står på en plats som är vindstill och skyddad från direkt kyla. Följ lokala bestämmelser om hur nära ditt hus och/eller andra byggnader som grillen får vara placerad. Lägg allt du behöver på en bricka, klä dig varmt och ge dig ut!
- Sätt en utomhustermometer vid grillen så att du enkelt kan se hur kallt det är. Skriv ner vad du lagar för rätter, i vilken temperatur och hur lång tid det tar. Det hjälper dig att framöver bestämma när och vad du ska grilla och hur lång tid det tar.
- Om det är väldigt kallt ökar du föruppvärmningstiden till minst 20 minuter.
- Undvik att lyfta på locket mer än nödvändigt. Kalla vindpustar kan kyla ner maten helt. Var flexibel och lägg till extra tid för varje gång du lyfter på locket.
- Ha ett uppvärmt underlägg eller lock redo för att hålla maten varm på vägen tillbaka in.
- Perfekt mat att grilla under vintern är det som kräver lite tillsyn, t.ex. en stek, hel kyckling, revbensspjäll och kalkon. Gör det lätt för dig och lägg i olika tillbehör som tillagas samtidigt, t.ex. potatis och grönsaker.

3. GRILLA I VARMT VÄDER

I varmare väder tar grillningen kortare tid.

Här följer ett par förslag på hur du kan njuta av grillen under de varmare månaderna:

- Sänk grilltemperaturerna. Det minskar risken för oönskade uppflamningar.
- Använd en kötttermometer för att fastställa innetemperaturen på maten. Det hjälper dig att undvika att grilla för länge så att det blir torrt.
- Även när det är varmt är det bäst att grilla med locket på.
- Du kan hålla maten varm genom att svepa in den i folie och lägga den i en isolerande kylare. Lägg hopknycklat tidningspapper runt om så håller sig maten varm i 3–4 timmar.

INTERVALL FÖR GRILLTEMPERATURER

Temperaturavläsningar på kontrollpanelen kanske inte matchar termometern exakt. Alla temperaturer som listas nedan är ungefärliga och påverkas av följande faktorer: omgivande utomhustemperatur, vindstyrka och vindriktning, kvaliteten på pelletbränslet som används, om locket öppnas och mängden mat som grillas.

- **HÖG TEMPERATUR (205–260 °C/401–500 °F)**

I det här intervallet är det lämpligast att steka och grilla på hög värme. Använd tillsammans med flamgrillens (skjutplatta) för indirekt eller direkt flamgrillning. Med **flamgrillen öppen** används en direkt låga för att skapa en blodig biff såväl som sotade grönsaker, vitlöksbröd och annat! När **flamgrillen är stängd** cirkulerar luften runt behållaren vilket resulterar i konvektionsvärme. Hög temperatur används även för att förvärma grillen, bränna av grillgaller och för att uppnå hög temperatur i kalla väderförhållanden.

- **MEDELHÖG TEMPERATUR (135–180 °C/275–356 °F)**

Det här intervallet passar bäst för bakning, stekning och att laga klart långsamt rökta rätter. Tillagning vid de här temperaturerna minskar risken för att fett ska flamma upp. Se till att skjutreglage för flamgrill är stängt och täcker de öppna spåren. Perfekt intervall för allt som viras in i bacon och där du behöver mångsidighet med kontroll.

- **LÅG TEMPERATUR (82–125 °C/180–257 °F)**

Det här intervallet används för långsam stekning, ökad röksmak och för att hålla mat varm. Tillför mer röksmak och håll köttet saftigt genom att tillaga under längre tid på en lägre temperatur (även känt som "**långgrillning**"). Långgrillning passar perfekt för att tillaga en stor kalkon, en saftig skinka eller när du behöver mycket mat till en större fest.

Rökning är en variant på verklig grillning och är den främsta fördelen med en träpelletsgrill. **Varmrökning**, ett annat namn för **långgrillning**, sker generellt mellan 82-125°C/180-257°F. Varmrökning blir bäst när det krävs längre tillagningstid med t.ex. stora bitar kött, fisk eller fågel.

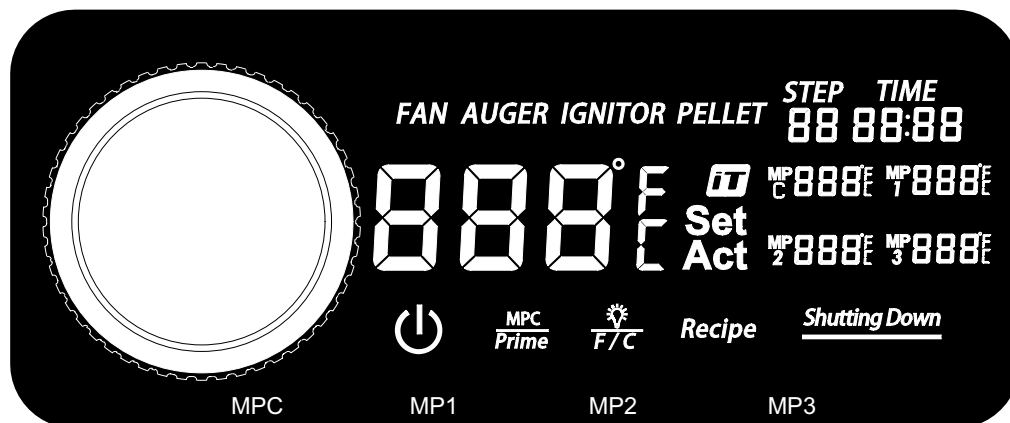
TIPS! Du kan intensifiera de rökiga smakerna genom att växla till låg temperatur direkt efter att maten har lagts på grillen. Det gör det möjligt för röken att tränga in i köttet.

Nyckeln är att experimentera med olika tidsperioder för rökning innan tillagningen av rätten är klar. Vissa utomhuskockar föredrar att röka vid slutet av tillagningen vilket håller maten varm fram till servering. Övning ger färdighet!

FÖRSTÅ KONTROLLPANELEN

Denna P.I.D. (proportionell-integral-derivat) digitala kontrollpanel är i mångt och mycket samma som på ugnen i ditt kök. De viktigaste fördelarna är möjligheten att automatiskt kompensera för olika väderförhållanden och bränsletyper.

VIKTIGT: Temperaturen inuti en grill varierar stort från plats till plats. Även instrument som är kalibrerade tillsammans kan visa olika.



KONTROLL	BESKRIVNING
	Tryck en gång på denna knapp för att slå på enheten. Då påbörjas uppstarten automatiskt. Tryck och håll inne denna knapp i tre sekunder för att stänga av enheten, och aktivera den automatiska nedkylningen. Knappen kommer att lysa vitt när den är ansluten till en strömkälla, och lysa vitt när enheten är på.
	Smoke iT®-ikonen indikerar anslutning till wifi. När du söker efter en anslutning via wifi eller via Bluetooth®, kommer ikonen Smoke iT® att blinka. När en wifi-anslutning har upprättats lyser Smoke iT®-ikonen med fast sken. När grillen är ansluten får du uppdateringar om grillens faktiska och inställda temperatur, hur länge maten har tillagats, samt temperatur för kötttermometern. Den låter dig också ändra inställningarna på din kontrollpanel.
	Den här knappen har två funktioner: Temperaturehetsbrytare och ljus. <ol style="list-style-type: none"> 1. Snabbtryck på denna knapp för att tända eller släcka ljuset inuti grillen. 2. Håll den här knappen intryckt i tre sekunder för att aktivera omkopplaren för temperaturenheter och ändra temperaturavläsningen. Byt mellan Celsius (°C) och Fahrenheit (°F), efter önskemål. Temperaturen visas som standard i Celsius (°C).
	Denna knapp har två funktioner: Meat Probe Control (MPC) och Prime Button. <ol style="list-style-type: none"> 1. Genom att snabbt trycka på denna knapp aktiveras den programmerbara kötttermometern – som är den första anslutningen till kötttermometern (MPC). Använd kontrollreglaget för att ställa in den programmerbara temperaturen i kötttermometern. Tryck på kontrollreglaget igen för att bekräfta och avsluta inställningarna för den programmerbara kötttermometern. 2. Håll den här knappen intryckt i tre sekunder för att aktivera en manuell kontinuerlig matning av pellets till förbränningskammaren. Om du släpper knappen stoppas manuell matning av pellets. Det kan användas för att tillföra mer bränsle till elden innan behållarens lock öppnas, eftersom det gör att värmenivån snabbt återställs. Det kan även användas under rökning för att öka intensiteten av ren röksmak. Denna funktion begärdes av konkurrensspisar.



Kontrollreglaget används för att öka, minska och välja ett inställningsvärde. Vrid kontrollreglaget för att välja tid, temperatur eller steg i en aktiv inställningsmeny. Tryck på kontrollreglaget för att bekräfta det valda värdet.



Den centrala avläsningen visar både den faktiska och inställda temperaturen. Den faktiska temperaturen visas hela tiden såvida inte den inställda temperaturen justeras. Den faktiska temperaturen är temperaturen inuti huvudbehållaren. Den faktiska temperaturen mäts av grillens sensor inuti grillbehållaren.

För att visa inställd temperatur, tryck på kontrollreglaget. Den inställda temperaturen är aktiv när avläsningen blinkar. För att justera inställd temperatur vrid du kontrollreglaget efter behov. När den önskade inställda temperaturen har uppnåtts, tryck på kontrollreglaget för att bekräfta inställd temperatur, då återgår avläsningen till den faktiska temperaturen.

Recipe

Tryck på knappen en gång för att aktivera receptstegen. Det finns nio receptsteg som kan matas in. Justera inställningarna för varje receptsteg med hjälp av kontrollreglaget.



Visar det aktuella receptsteget.



Visar den tid som ställts in under receptsteget. Tryck på receptknappen för att aktivera receptinställningarna. Använd kontrollreglaget för att växla genom receptstegen, en är tiden.



Visar den faktiska och inställda temperaturen i den programmerbara köttermometern – som är den första anslutningen till köttermometern (MPC). Den faktiska temperaturen visas hela tiden såvida inte den inställda temperaturen justeras. När du trycker på MPC-knappen kommer den valda avläsningen av köttermometern att blinka och den inställda temperaturen kan justeras. När köttermometern inte används kopplar du bort den från anslutningsporten, varpå koden "noP" visas. Endast kompatibel med köttermometrar av märket Pit Boss®.



Visar den faktiska temperaturen för en köttermometer. Dessa tre köttermometrar kommunicerar med den valda anslutningsporten. När köttermometern inte används kopplar du bort den från anslutningsporten, varpå koden "noP" visas. Endast kompatibel med köttermometrar av märket Pit Boss®.

Shutting Down

Denna avläsning visas efter att nedstängning har valts. Det indikerar att den automatiska nedkylningscykeln har startat. När nedkylningscykeln är klar kommer avläsningen inte längre att vara synlig.

FAN

Fläktikonen (FAN) visas när fläkten är i drift. När fläktikonen blinkar fungerar inte fläkten. Läs avsnittet om felsökning för att få mer information.

AUGER

Ikonen för inmatningskolven (AUGER) visas när inmatningskolven roterar. När ikonerna för inmatningskolven blinkar fungerar inte inmatningskolven. Läs avsnittet om felsökning för att få mer information.

IGNITOR

Tändarikonen (IGNITOR) visas när tändaren används. När tändarikonen blinkar fungerar inte tändaren. Läs avsnittet om felsökning för att få mer information.

PELLET

När pelletsikonen blinkar har elden i förbränningskammaren slocknat eller pelletstanken är tom. Läs avsnittet om felsökning för att få mer information.

FUNKTIONER PÅ KONTROLLPANELEN

• *INSTÄLLNING AV GRILLTEMPERATUR*

Grilltermometern mäter temperaturen inuti huvudbehållaren. När tillagningstemperaturen justeras, läser Grilltermometern av den faktiska temperaturen inuti huvudbehållaren och ändrar till önskad temperatur.

VIKTIGT! Temperaturen i enheten påverkas i hög grad av den omgivande utomhustemperaturen, kvaliteten på pellets, typen av pellets och mängden mat som tillagas.

STÄLLA IN/JUSTERA INSTÄLLD TEMPERATUR

För att justera önskad tillagningstemperatur på grillen följer du stegen nedan:

1. Tryck på kontrollreglaget. Då kommer den önskade tillagningstemperaturen att blinka på displayen för att visa att den är aktiverad.
2. Använd kontrollreglaget igen för att justera till önskad temperatur.
3. När den önskade inställda temperaturen har uppnåtts, tryck på kontrollreglaget för att bekräfta inställd temperatur, då återgår avläsningen till den faktiska temperaturen.

• *ANVÄNDNING AV DEN PROGRAMMERBARA KÖTTERMOMETERN*

Termometern mäter temperaturen inuti köttet på grillen på samma sätt som i din vanliga ugn. För in köttermometern i rostfritt stål i den tjockaste delen av köttet. Den innetemperaturen på köttet visas på kontrollpanelens avläsning. Anslut köttermometeradaptern till anslutningsporten för köttermometern och se till att den sätts in helt i kontakten. Du kommer att känna och höra det snäppa på plats. Det tillagar inte bara köttet till önskad temperatur utan det sänker automatiskt din grilltemperatur till låg (82 °C / 180 °F) för att hålla maten varm tills den är klar att serveras. Ställ bara in den och slappna av medan köttermometern gör resten!

OBS! När du sticker i termometern i köttet ska du vara noga med att termometern och tillhörande kabel undviker direkt kontakt med lågan eller hög hetta. Det kan skada köttermometern. Kör överflödigt tråd ut från de bakre avgashålen på huvudbehållaren, toppen av huvudbehållaren (nära gångjärnet för grilllocket) eller genom det främre hålet nära behållaren. Koppla bort köttermometern från anslutningsporten när den inte används och lägg undan den i hålet på handtagen för att skydda och hålla den ren.

STÄLLA IN/JUSTERA DEN PROGRAMMERBARA KÖTTERMOMETERN

För att programmera önskad inställd temperatur för den programmerbara köttermometern, följ stegen nedan:

1. Tryck snabbt på MPC-knappen to aktivera den programmerbara köttermometern. När den är aktiv kommer temperaturavläsningen på köttermometern att blinka.
2. Använd kontrollreglaget för att justera till önskad temperatur.
3. När önskad inställd temperatur för din valda köttermometer har uppnåtts, tryck på kontrollreglaget igen för att bekräfta och avsluta inställningarna för programmerbar köttermometer.

• STÄLL IN ETT RECEPT

Receptfunktionen låter användaren programmera matlagningsinstruktioner, så kallade receptsteg, så att styrkortet kan följa och köra automatiskt. I tillagningsinstruktionerna ingår både tillagningstemperatur och -tid. Med början på det första receptsteget (01) går kontrollpanelen igenom varje receptsteg för tillagning. När alla receptstegen är slutförda övergår kontrollpanelen automatiskt till låg temperatur, 82 °C/180 °F, så att maten håller sig varm tills den ska serveras. Det finns totalt nio receptsteg som är tillgängliga för programmering.

HUR MAN PROGRAMMERAR ETT RECEPTSTEG

För att ställa in ett eller flera receptsteg följer du stegen nedan:

1. Håll ned receptknappen. Detta gör att receptknappen blinkar för att visa att receptinställningarna är aktiva. Detta kommer också att aktivera receptstegen och bokstaven "S" kommer att vara på för att visa att den är aktiv.
 - Använd kontrollreglaget för att välja receptsteg. Börja med det första receptsteget (01).
 - När önskat receptsteg har uppnåtts, tryck på kontrollreglaget för att gå till nästa inställning.
 2. Ställ in timmar. Då kommer tiden att blinka på displayen, för att visa att den är vald.
 - Använd kontrollreglaget för att välja den önskade tiden.
 - När önskat tid har uppnåtts, tryck på kontrollreglaget för att gå till nästa inställning.
 3. Ställ in minuter. Då kommer minuter att blinka på displayen, för att visa att den är vald.
 - Använd kontrollreglaget för att välja de önskade minuterna.
 - När önskade minuter uppnåtts, tryck på kontrollreglaget för att gå till nästa inställning.
 4. Ställ in tillagningstemperaturen. Då kommer den centrala temperaturen att blinka på displayen, för att visa att den är vald.
 - Använd kontrollreglaget för att välja önskad temperatur.
 - När önskad temperatur har uppnåtts, håll ned Recept-knappen för att låsa in alla receptinställningar för det receptsteget.
 - För att ställa in ytterligare ett receptsteg, tryck snabbt på receptknappen för att välja ett annat receptsteg, programmera en flera receptstegskock. Upprepa stegen ovan, efter önskemål.
- Eller
- Håll receptknappen intryckt en gång till för att avsluta receptinställningarna och köra receptet. Receptknappen slutar blinka.

OBS: Receptstegen återställs när enheten stängs av/stängs av.

ANSLUTA TILL APPEN SMOKE IT®

Följ dessa instruktioner om hur du ansluter grillen till Smoke iT®-appen med din Android™ eller iOS®-enhet. Med appen kan du styra och övervaka dina grillinställningar och kötttermometers temperatur från din mobila enhet. Njut av de fördelar som mobilanslutningen Smoke IT® har att erbjuda!

1. Ladda ner appen Smoke iT®. Öppna appen och aktivera Bluetooth® för hopparring. Nya användare måste skapa ett konto och följa anvisningarna för att logga in.
2. Om du är inom Bluetooth®-räckvidd (9 m) kommer Smoke iT®-appen automatiskt att upptäcka din grill. Välj din grillmodell. Om du inte ser din grill på skärmen, se till att din enhet är ansluten till en strömkälla och att den är påslagen.
3. Namnge din grillmodell (dvs. My Smoker [Min Smoker]) i appen och välj "Anslut" längst ned på skärmen. Detta sparar din grillmodell i enhetsmenyn.
4. Från enhetsmenyn klickar du på grillmodellen för att ansluta. Detta visar styrenhetskärmen.
5. Klicka på inställningsalternativet (kugghjulet) i det övre högra hörnet, ange wifi-inloggningsinformationen och klicka på bockmarkeringen längst ner på skärmen för att ansluta. Nu visas både Bluetooth® och wifi-ikonerna (moln) på enhetsmenyn och visar att grillen är ansluten.

När du använder appen är skärmen upplyst när grillen är aktiv och ansluten. Om appskärmen eller grillen blir mörk på enhetsmenyn, kontrollerar du din trådlösa anslutning eller strömkälla.

PÅFYLLNINGSPROCEDUR FÖR PELLESTANKEN

Följande instruktioner ska följas den första gången som grillen tänds och varje gång det tar slut på pellets i pelletstanken. Inmatningskolven måste fyllas på för att pellets ska transporteras längs hela inmatningskolvens längd och fylla på förbränningskammaren. **Om den inte fylls kommer tändaren att stänga av innan pelletsen har fattat eld så att lågan uteblir.** Följ de här stegen för att fylla på pelletstanken:

1. Öppna locket till huvudbehållaren. Ta bort alla grillkomponenter inuti grillen. Leta upp förbränningskammaren på botten av huvudbehållaren. Kontrollera förbränningskammaren så att inget förhindrar korrekt tändning.
2. Anslut strömkabeln i en strömkälla. Tryck på strömknappen för att starta enheten. Kontrollera följande:
 - Att du kan höra inmatningskolven snurra. Håll handen ovanför förbränningskammaren för att känna om det finns ett luftflöde. Stoppa inte in handen eller fingrarna i förbränningskammaren. Det kan orsaka personskada.
 - Efter cirka en minut ska det kännas på doften att tändaren brinner och att luften blir varmare i förbränningskammaren. Toppen på tändaren glöder inte men är extremt het och bränns. Vidrör inte tändaren.
3. När du har försäkrat dig om att alla elektriska komponenter fungerar korrekt, tryck och håll in strömknappen i tre sekunder för att stänga av enheten.
4. Öppna locket på pelletstanken. Se till att det inte finns några främmande föremål i pelletstanken eller inmatningssystemet. Fyll på pelletstanken med torra, naturliga träpellets.
5. Tryck på strömknappen för att starta enheten igen. Grillens startcykel har en förinställd temperatur på 176 °C, så den börjar värmas upp. Tryck på knappen Prime och håll den intryckt tills du ser pellets från inmatningskolven på insidan av grillen. När pellets börjar fyllas på i förbränningskammaren släpper du knappen Prime.
6. Tryck och håll ned strömbrytaren i tre sekunder för att stänga av enheten.
7. Installera grillkomponenterna på nytt i huvudbehållaren. Grillen är klar att användas.

FÖRSTA ANVÄNDNINGEN – AVBRÄNNING AV GRILLEN

När pelletstanken är fylld är det viktigt att genomföra en avbränning av grillen före grillen ska användas första gången. Starta grillen och kör på en temperatur över 176 °C/350 °F (med locket på) i 30–40 minuter för att bränna av grillen och bli av med eventuella främmande material.

AUTOMATISK STARTPROCEDUR

1. Anslut strömkabeln i en jordad strömkälla. Öppna locket till huvudbehållaren. Kontrollera förbränningskammaren så att inget förhindrar korrekt tändning. Öppna locket på pelletstanken. Se till att det inte finns några främmande föremål i pelletstanken eller inmatningssystemet. Fyll på pelletstanken med torra, naturliga träpellets.
2. Tryck på strömknappen för att slå på enheten. Det aktiverar startcykeln. Inmatningssystemet börjar snurra, tändaren börjar glöda och fläkten tillför luft till förbränningskammaren. Grillen börjar producera rök medan startcykeln pågår. Behållarens lock måste hållas öppet under startcykeln. Se till att startcykeln har kommit igång genom att lyssna efter ljudet av en brinnande låga och att det skapas värme.
3. När den tjocka, vita röken har skingrat sig är startcykeln slutförd och nu kan du välja önskad temperatur och börja använda grillen!

STÄNGA AV GRILLEN

1. När du är klar med tillagningen, med huvudbehållarens lock stängt, trycker du på och håller strömbrytaren nedtryckt i tre sekunder för att stänga av enheten. Grillen startar sin automatiska nedkylningscykel. Inmatningskolvsystemet slutar mata bränsle, lågan slocknar och fläkten förblir i gång till dess att avsvältningscykeln har avslutats.

SKÖTSEL OCH UNDERHÅLL

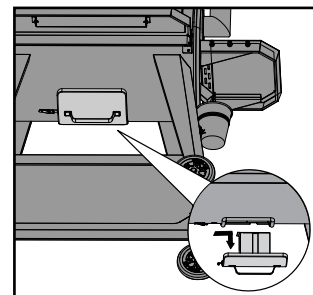
WARNING! Dra alltid ur sladden innan grillen öppnas för kontroll, rengöring, underhåll eller service. Var noga med att grillen är helt avsvälnad för att undvika skada.

Alla Pit Boss®-enheter erbjuder många års smakrika upplevelser och minimala rengöringsbehov. Följ de här tipsen för rengöring och underhåll av grillen:

1. RENGÖRING AV ASKA

- Längst ner på grillen finns en askrengöringsfunktion som ger dig enkel åtkomst till insidan av din brandlåda för att enkelt rengöra den så ofta som behövs. För att tömma lossar du spännlåset på asklådkroken. Håll i handtaget och skjut bort asklådan från spännnet och dra sedan ner för att ta bort det. När du har tömt, byt ut asklådan genom att lyfta tillbaka den i botten av grillcylindern, skjut asklådan mot spännnet, och fäst sedan asklådkroken med spännlåset.

WARNING: Denna funktion kan endast användas när grillen har svalnat.



2. MONTERING AV PELLETTANKEN

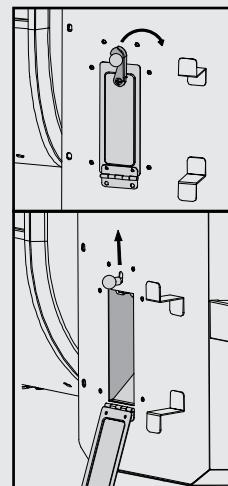
- Det rekommenderas att du matar ut alla pellets ur inmatningssystemet om grillen ska ställas undan under en längre period. Det gör du genom att helt enkelt köra grillen med en tom pelletstank tills alla pellets har matats ut ur inmatningsröret.
- Rengör botten av pelletstanken från allt damm och skräp från fläktintagsventilen. När luckan till pelletstanken har tagits bort (se **Elkabeldiagram** med kopplingsschema) torkar du noggrant av fettansamlingar direkt från fläktbladen. Det säkerställer att luftflödet är tillräckligt för matningssystemet.

PELLETSTANKENS RENGÖRINGSFUNKTION

Pelletstanken har en rengöringsfunktion för enkel rengöring och möjlighet att byta träpellets. Du tömmer genom att följa dessa steg:

1. Hitta rengöringsluckan och haspen på baksidan av pelletstanken.
2. Roter haspen (överst) till höger så att den medger att luckan öppnas. Sätt en ren, tom hink under luckan och låt luckan sänkas. Lyft spärrhaken för att öppna plåten för dropprännan, så att pelletsen från tanken kan tömmas ut.
3. När den är tom trycker du tillbaka dropprännans platta för hand. Den låses på plats. Stäng rengöringsdörren och vrid tillbaka dörrkroken på frigöringsspärrstängningen för att säkra den.

OBS! Använd en borste med långt handtag eller en grovdammsugare för att ta bort kvarvarande pellets, sågspån och rester för en fullständig rengöring av pelletstanken.



3. TERMOMETRAR

- Trassel och veck på termometerkablar kan orsaka skada. Rulla ihop termometern och kabeln löst när den inte används.
- Trots att båda termometertyperna är i rostfritt stål ska de inte diskas i maskin eller ligga i blöt. Vattenskador på inre ledningar orsakar kortslutning och ger felaktiga avläsningar. Om en termometer skadas ska den bytas ut.

SE

SVENSKA

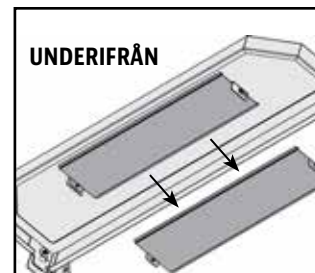
4. YTOR PÅ INSIDAN

- Det rekommenderas att du regelbundet rengör förbränningskammaren efter några gångers användning. Det säkerställer korrekt tändning och undviker att skräp eller aska ansamlas i förbränningskammaren.
- Använd en rengöringsborste med långt handtag, ta bort rester av mat eller avlagringar från grillgallren. Det är bäst att utföra rengöringen medan de fortfarande är varma från tidigare användning. Fettbrand orsakas av att för mycket stoft faller ner på grillkomponenterna i grillen. Rengör insidan av grillen regelbundet. Om det skulle uppstå en fettbrand låter du locket vara på för att kväva branden. Om elden inte slocknar snabbt tar du försiktigt ut maten, slår av grillen och stänger locket tills den helt har släckts. Pudra över lite bikarbonat om du har.
- Kontrollera dropphinken ofta och rengör om det behövs. Lägg på minnet vilken typ av grillning du utför.

VIKTIGT! På grund av hög temperatur ska flamgrillen eller termometrar inte täckas med aluminiumfolie.

5. YTOR PÅ UTSIDAN

- Den främre hyllan har en avtagbar panel under för enkel rengöring. Underifrån trycker du på stödplattan mot huvudbehållaren för att ta bort den. Rengör och byt sedan ut genom att skjuta tillbaka den på plats.
- Torka av grillen efter varje användning. Använd varm tvållösning för att få bort fett. Använd inte ugsnrengörare, slipmedel eller slipande rengöringsvampar på utsidan av grillen. **Inga målade ytor täcks av garantin, utan ingår i allmänna underhålls- och skötselrutiner.** Vid sprickor, slitage eller flagor kan ytorna bättras på med värmebeständig färg avsedd för grill.
- Använd ett grillöverdrag som skydd! Ett överdrag är det bästa skyddet mot väderpåverkan och föroreningar. När enheten ställs undan en längre tid ska den stå i garage eller förråd med överdrag.



TIDSHEMA FÖR RENGÖRINGSFREKVEN (NORMAL ANVÄNDNING)

OBJEKT	RENGÖRINGSFREKVEN	RENGÖRINGSMETOD
Botten på huvudgrill	Efter 5–6 grilltillfällen	Skyffla ut, använd grovdammsugare för ytterligare skräp
Förbränningskammare	Efter 2–3 grilltillfällen	Skyffla ut, använd grovdammsugare för ytterligare skräp
Grillgaller	Efter varje grilltillfälle	Avbränning, borste med mässingtråd
Flamgrill	Efter 5–6 grilltillfällen	Skrapa huvudplatta med skjutreglage, diska den inte
Hyllor	Efter varje grilltillfälle	Skursvamp och tvållösning
Dropphink	Efter varje grilltillfälle	Skursvamp och tvållösning
Inmatningssystem	När pelletssäcken är tom	Låt inmatningskolven mata ut sågspån och töm pelletstanken
Elektriska komponenter på pelletstanken	En gång om året	Damma av insidan, torka fläktblad med tvållösning
Luftintagsventil	Efter 5–6 grilltillfällen	Damma, skrubbsvamp och tvållösning
Grilltermometer	Efter 2–3 grilltillfällen	Skursvamp och tvållösning

TIPS OCH TEKNIKER

Följ dessa tips och tekniker från Pit Boss®-ägare, vår personal och kunder som du så blir du mer bekant med din grill:

1. LIVSMEDELSSÄKERHET

- Håll allt rent i köket och grillområdet. Använd inte samma underlägg och redskap för det grillade köttet som när du bär ut och hanterat det råa köttet. Det förebygger korskontaminering av bakterier. Använd separat redskap för varje marinad och sås.
- Håll varm mat varm (över 60 °C/140 °F), och håll kall mat kall (under 3 °C/37 °F).
- En marinad ska aldrig sparas för senare användning. Om du vill servera den tillsammans med köttet ska du vara noga med att först koka upp den.
- Lagad mat ska inte lämnas ute i värmen längre än en timme. Lämna inte varm mat utanför kylskåp längre än två timmar.
- Tina och marinera kött i kylskåp. Tina inte upp kött i rumstemperatur eller på en bänkskiva. Bakterier kan växa och förökas snabbt i varma och fuktiga miljöer. Tvätta händerna noga i varmt vatten och tvällösning innan du börjar grilla och efter att du har hanterat kött, fisk och fågel.

2. FÖRBEREDELSE FÖR TILLAGNING

- Var förberedd eller **Mise en Place**. Det innebär att förbereda receptet, bränsle, tillbehör, redskap och alla ingredienser som du behöver, bredvid grillen innan du börjar. Läs även igenom hela receptet, från början till slut, innan du tänder grillen.
- Det är mycket praktiskt att använda grillmatta. En grillmatta skyddar däckat, uteplatsen eller stenläggningen från fläckar och spill.

3. TIPS OCH TEKNIKER FÖR GRILLNINGEN

- Tillför mer röksmak i köttet genom längre tillagning på lägre temperaturer (även känt som "**långgrillning**"). Fibrerna stängs i köttet vid en innertemperatur på 49 °C/120 °F. Undvik att köttet torkar genom att spreja och pensla det.
- Stek köttet med locket nere. Använd alltid en köttermometer för att fastställa innertemperaturen på maten du tillagar. Rökning med träpellets ger kött och fågel en rosa färg. Det rosa bandet (efter tillagning) brukar kallas **rökring** och prisas högt av utomhuskocken.
- Sockerbaserade såser är bäst lämpade att tillsättas i slutet av tillagningen för att förebygga att det blir bränt eller flammar upp.
- Lämna ett mellanrum mellan maten och kanterna på behållaren för korrekt värmefflöde. Om det blir trångt på grillen tar tillagningen längre tid.
- Använd en uppsättning långa tänger för att vända köttet och en spatel för burgare och fisk. Om du använder ett spetsigt redskap, t.ex. en gaffel, går det hål i köttet så att saften rinner ut.
- Tillagning i en djup gryta tar längre tid än i en lågkantad form.
- Det är en bra idé att lägga färdig mat på ett uppvärmt fat så att den hålls varm. Rött kött, t.ex. en filé eller stek, ska med fördel vila flera minuter före servering. Det gör att saften som trängs upp till ytan av hettan kan rinna tillbaka in i köttet och ge mer smak.

FELSÖKNING

Lämplig rengöring, underhåll och användning av kvalitativt bränsle förebygger användningsproblem. Om Pit Boss®-grillen fungerar dåligt kan följande felsökning vara till hjälp. Vanliga frågor och svar finns på www.pitboss-grills.com. Du kan även kontakta en auktoriserad Pit Boss®-återförsäljare eller kundtjänst om du behöver hjälp.

WARNING! Dra alltid ur elkabeln innan grillen öppnas för kontroll, rengöring, underhåll eller service. Var noga med att grillen är helt avsvanad för att undvika skada.

PROBLEM	ORSAK	LÖSNING
Inga strömlampor på kontrollpanelen	Ej ansluten till strömkälla	Se till att enheten är ansluten till en fungerande strömkälla. Återställ brytaren. Säkerställ att GFCI är på minst 10 ampere (se Elkabeldiagram för åtkomst till elektriska komponenter) Se till att alla kabelanslutningar sitter ordentligt och är torra.
	Säkring har gått på kontrollpanelen	Ta bort luckan till pelletstanken (se Elkabeldiagram för illustration), tryck in plastflikarna som håller kontrollpanelen på plats och dra försiktigt i styrenheten inuti pelletstanken för att frigöra den. Kontrollera om tråden i säkringen är trasig eller svart. Om ja, så måste säkringen bytas manuellt.
	Fel på kontrollpanelen	Kontrollpanelen måste bytas ut. Kontakta kundtjänst för reservdelar.
Lågan i förbränningskammaren tänds inte	Inmatningskolven är inte påfylld	Innan enheten används första gången eller om pelletstanken är helt tömd, måste inmatningskolven fyllas på för att pellets ska matas fram i inmatningskolvröret. Om den inte fylls på slocknar tändaren innan pelletsen har nått fram till förbränningskammaren. Följ påfyllningsproceduren för pelletstanken .
	Stopp i inmatningsmotorn	Ta bort grillkomponenterna från huvudbehållaren. Tryck på strömbrytaren för att starta enheten och titta till inmatningskolv del av inmatningssystemet. Kontrollera att inmatningskolven matar in pellets i förbränningskammaren. Om enheten inte fungerar korrekt ringer du kundtjänst för att få hjälp eller beställa reservdelar.
	Tändarfel	Ta bort grillkomponenterna från huvudbehållaren. Tryck på strömbrytaren för att starta enheten och titta till tändaren. Bekräfta att tändaren fungerar genom att hålla handen ovanför förbränningskammaren och känna värmen. Kontrollera att tändaren sticker ut cirka 13 mm i förbränningskammaren. Om enheten inte fungerar korrekt ringer du kundtjänst för att få hjälp eller beställa reservdelar.
Angiven faktisk temperatur ändras inte.	Grilltermometern är smutsig.	Följ instruktionerna för skötsel och underhåll.
	Grilltermometern är trasig.	Grilltermometern behöver bytas ut. Kontakta kundtjänst
Grillen uppnår inte eller håller inte rätt temperatur	Otillräckligt luftflöde genom förbränningskammaren	Kontrollera om det finns ansamlingar av aska eller blockeringar i förbränningskammaren. Följ instruktionerna för Skötsel och underhåll vid ansamling av aska. Kontrollera fläkten. Kontrollera att den fungerar ordentligt och att luftintaget inte är blockerat. Följ instruktionerna för skötsel och underhåll om den är smutsig. Kontrollera inmatningsmotorn för att bekräfta att den fungerar, och se till att det inte finns någon blockering i inmatningstuben. När alla stegen ovan har slutförts startar du grillen, ställer in temperaturen på SMOKE och väntar i 10 minuter. Kontrollera att lågan är klar och stabil.
	Brist på bränsle, dålig bränslekvalitet, blockering i matarsystemet	Kontrollera pelletstanken så att bränslenivån är tillräcklig och fyll på om den är låg. Om kvaliteten på träpelletsen är dålig, eller pelletsen är för långa, kan det orsaka blockering i matningssystemet. Ta bort pelletsen och följ instruktionerna för skötsel och underhåll .
	Grilltermometer	Kontrollera status grilltermometern. Följ instruktionerna för skötsel och underhåll om den är smutsig. Kontakta kundtjänst för reservdel om den är skadad.
Grillen producerar för mycket eller missfärgad rök	Fettansamlingar	Följ instruktionerna för skötsel och underhåll .
	Kvalitet på träpellets	Ta bort fuktiga träpellets från pelletstanken. Följ instruktionerna i skötsel och underhåll för att rengöra den. Byt mot torra pellets.
	Förbränningskammaren är blockerad	Rensa förbränningskammaren från fuktiga träpellets. Följ påfyllningsproceduren för pelletstanken .
	Otillräckligt luftintag för fläkten	Kontrollera fläkten. Kontrollera att den fungerar ordentligt och att luftintaget inte är blockerat. Följ instruktionerna för skötsel och underhåll om den är smutsig.

Frekventa uppflamningar	Grilltemperatur	Prova att grilla på en lägre temperatur. Fett har en flampunkt. Håll temperaturen under 176°C/350°F när du grillar mat med mycket fett.
	Fettansamlingar på grillkomponenter	Följ instruktionerna för skötsel och underhåll .
Felkod ErP	Enheten stängdes inte av korrekt senaste gången den var strömansluten.	Säkerhetsfunktionen förhindrar automatisk omstart. Tryck och håll ned strömknappen i tre sekunder för att stänga av enheten, vänta två minuter och tryck sedan på strömknappen för att slå på enheten igen. Vrid till önskad temperatur. Om felkoden fortfarande visas, kontakta kundtjänst.
	Strömavbrott under drift.	
Felkoden ErH	Enheten är överhettad, troligen på grund av fettbrand eller överskottsbränsle.	Tryck och håll in strömbrytaren i tre sekunder för att stänga av enheten och låta grillen svalna. Följ instruktionerna för skötsel och underhåll. Efter underhåll, ta bort pelletsen och kontrollera att alla komponenter är på plats. När enheten har svalnat, tryck på strömknappen för att slå på den igen och välj önskad temperatur. Om felkoden fortfarande visas, kontakta kundtjänst.
Felkod ErL	Grillen startar inte	Kontrollera att alla matlagningskomponenter är rätt placerade. Kontrollera pelletstanken så att det finns tillräckligt bränsle och om matningssystemet är blockerat. Ta bort pelletsen och följ instruktionerna för skötsel och underhåll . Kolla grilltermometern. Bekräfta om den faktiska temperaturen stämmer. Följ instruktionerna för skötsel och underhåll om den är smutsig. Stäm av tändarens position och att den värms upp ordentligt. I extrem kyla kan grillen kräva en andra start. Stäng av grillen, vänta ett tag och starta den på nytt. Kontrollera fläkten. Se till att den fungerar som den ska. Följ instruktionerna för skötsel och underhåll om den är smutsig.
	Grillen förblir inte tänd.	
Blinkande felkoden PELLET	Brist på bränsle, dålig bränslekvalitet, problem i matarsystemet, igensatt inmatningskolv	Kontrollera pelletstanken så att bränslenivån är tillräcklig och fyll på om den är låg. Om kvaliteten på träpelletsen är dålig, eller pelletsen är för långa, kan det orsaka blockering i matningssystemet. Ta bort pelletsen och följ instruktionerna för skötsel och underhåll .
Blinkande felkoden IGNITOR	Tändaren fungerar inte ordentligt och upprättar ingen anslutning	Ta bort grillkomponenterna från huvudbehållaren. Tryck på strömbrytaren för att starta enheten och inspektera tändaren. Bekräfta att tändaren fungerar genom att hålla handen ovanför förbränningskammaren och känna om det är varmt. Bekräfta visuellt att tändaren är i linje med hålet i brännristen och öppna för att tända pelletsen. Om enheten inte fungerar korrekt ringer du kundtjänst för att få hjälp eller beställa reservdelar.
	Tändarfel	Tändaren behöver bytas ut. Kontakta kundtjänst för reservdelar.
Blinkande felkoden AUGER	Inmatningskolven är inte påfylld	Innan enheten används första gången, eller om pelletstanken är helt tom, måste inmatningsenheten fyllas på för att pellets ska matas fram till förbränningskammaren. Om den inte fylls på slocknar tändaren innan pelletsen har hunnit tändas. Följ påfyllningsproceduren för pelletstanken .
	Inmatningskolvmotorn har fastnat, ansluter inte.	Ta bort grillkomponenterna från huvudbehållaren. Tryck på strömbrytaren för att starta enheten och titta till inmatningskolv del av inmatningssystemet. Kontrollera att inmatningskolven matar in pellets i förbränningskammaren. Om enheten inte fungerar korrekt ringer du kundtjänst för att få hjälp eller beställa reservdelar.
Blinkande felkoden FAN	Fläkten fungerar inte ordentligt och upprättar ingen anslutning	Kontrollera fläkten. Kontrollera att den fungerar ordentligt och att luftintaget inte är blockerat. Ta bort luckan till pelletstanken (se Elkabeldiagram för installation), och kontrollera om det finns några skador på fläktkabeln. Följ instruktionerna för skötsel och underhåll om fläktbladen är smutsiga.

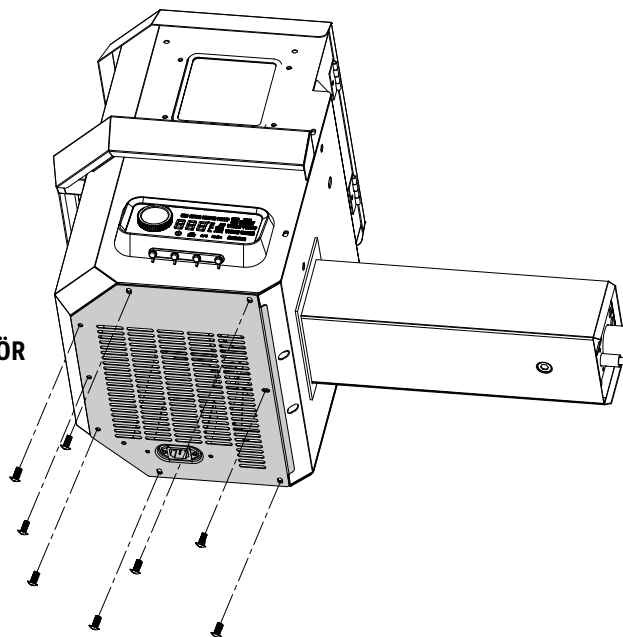
ELKABELDIAGRAM

Det digitala kontrollpanelssystemet är en komplicerad och värdefull teknikdel. Kontrollera kabeldiagrammet nedan för att säkerställa att strömkällan är tillräcklig för drift av enheten, för att skydda mot överspänning och kortslutning.

PB – ELEKTRISKA KRAV
220–240 V, 50 Hz, 275 W, JORDAD KONTAKT

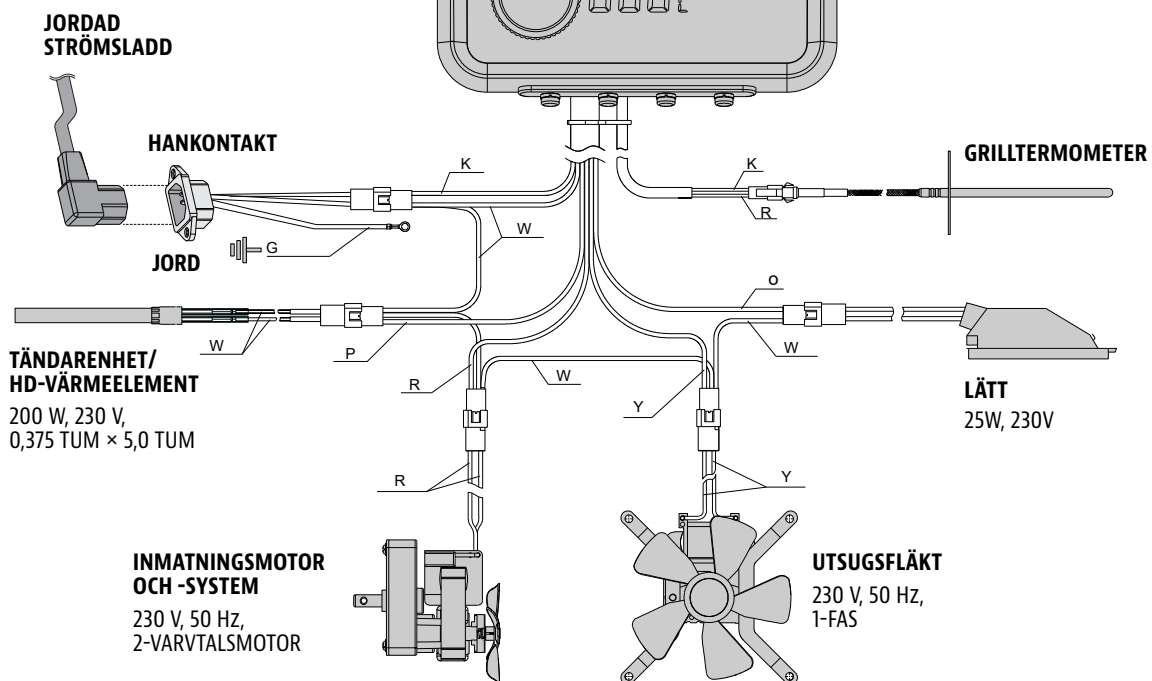
OBS! Elektriska komponenter, som har passerat produktsäkerhetstester och certifieringstjänster, uppfyller en testtolerans på ± 5–10 procent.

LETA UPP OCH TA BORT DE ÅTTA SKRUVARNA FÖR ÅTKOMSPANELEN PÅ ENHETENS UNDERSIDA



BRÄNSLETILLFÖRSELTAKT:
2,0 KG/H

KONTROLLPANEL

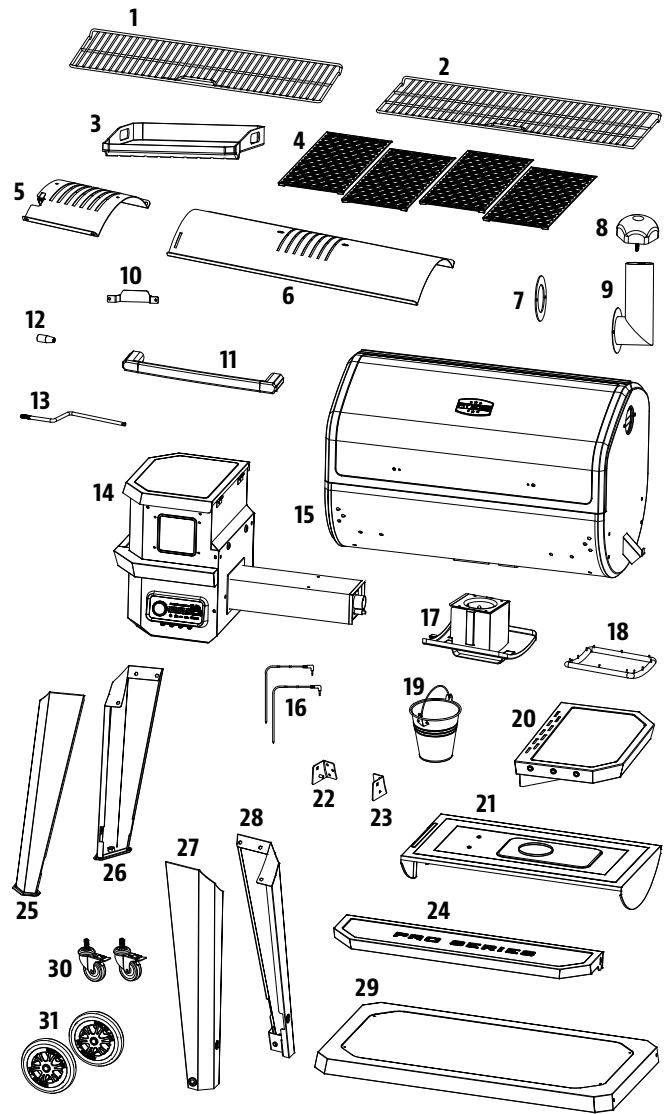


INDEX

K: BLACK
W: WHITE
R: RED
Y: YELLOW
P: RÖD
O: ORANGE
G: GREEN

RESERVDELAR TILL GRILLEN

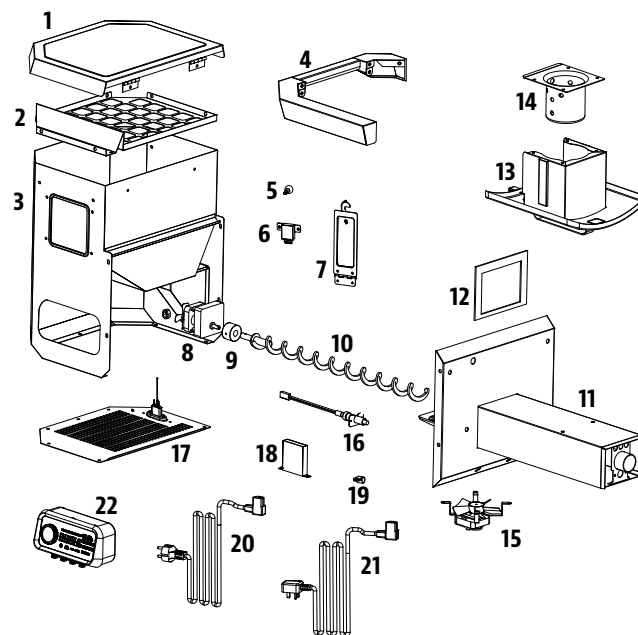
Delnr	Beskrivning
1	Översta grillhyllan (x 1)
2	Mellersta grillhyllan (x 1)
3	Häll (x 1)
4	Grillgaller (x 4)
5	Skjutreglage för flamgrill (x 1)
6	Huvudplatta för flamgrill (x 1)
7	Skorstenspackning (x 1)
8	Skorstenslock (x 1)
9	Skorstensrör (x 1)
10	Hyllfäste (x 1)
11	Lockhandtag (x 1)
12	Handtag till skjutreglage för flamgrill (x 1)
13	Skjutreglage till flamgrill (x 1)
14	Pelletstank (x 1)
15	Huvudbehållare (x 1)
16	Köttermometer (x 2)
17	Asklåda (x 1)
18	Packning till asklåda (x 1)
19	Dropphink (x 1)
20	Sidohylla (x 1)
21	Diffusorplåt (x 1)
22	Fäste till framhylla/vänster (x1)
23	Fäste till framhylla/höger (x1)
24	Framhylla (x 1)
25	Vänster stödben – fram (x 1)
26	Vänster stödben – bak (x 1)
27	Höger stödben – fram (x 1)
28	Höger stödben – bak (x 1)
29	Bottenhylla (x 1)
30	Rullhjul med låsmekanism (x 2)
31	Hjul (x 2)
A	Skruv (x28)
B	Bricka (x24)
C	Låsbricka (x 22)
D	Verktgyskrok (x 3)
E	Saxsprint till hjul (x 2)
F	Bricka till hjul (x 2)
G	Sprint till hjulaxel (x 2)
H	Skruv (x2)
Jag	Mutter (x 2)
J	Bussning (x 2)



OBS! Till följd av kontinuerlig produktutveckling kan delar bytas för enheten utan föregående meddelande.

RESERVDELAR TILL PELLETSTANKEN

Delnr	Beskrivning
1	Lock för pelletstank (x 1)
2	Säkerhetsskärm för pelletstank (x 1)
3	Hölje för pelletstank (x 1)
4	Pelletstankens handtag (x 1)
5	Dropprännans handtag (x 1)
6	Dropprännans montering (x 1)
7	Dropprännans dörr (x 1)
8	Inmatningskolvmotor (x 1)
9	Nylonbussning (x 1)
10	Inmatningskolvens montering (x 1)
11	Inmatningskolvshölje (x 1)
12	Packning för pelletstankhölje (x 1)
13	Asklåda (x 1)
14	Förbränningskammare (x 1)
15	Förbränningsfläkt (x 1)
16	Tändare (x 1)
17	Lucka till pelletstank (x 1)
18	Vattentätt hölje för nätkabel (x 1)
19	Klämma för nätkabel (x 1)
20	Nätkabel - F-kontakt (x 1)
21	Nätkabel - G-kontakt (x 1)
22	Kontrollpanel (x 1)



GARANTI

VILLKOR

För alla träpelletsgrillar från Pit Boss®, tillverkade av Dansons, medföljer en begränsad garanti från försäljningsdatumet för den ursprungliga ägaren. Garantin börjar gälla på det ursprungliga inköpsdatumet och det krävs bevis på inköpsdatumet, eller en kopia av det ursprungliga försäljningskvittot, för att bekräfta garantin. Kunderna ansvarar för kostnaden för reservdelar och frakt samt hantering om de inte kan visa upp ett inköpsbevis eller om garantin har upphört att gälla. Dansons ger fem (5) års garanti som omfattar defekter och utförande för alla delar, och fem (5) års garanti som omfattar elektriska komponenter. Dansons garanterar att alla delar är fria från defekter i material och utförande, under hela användningsperioden och den ursprungliga köparens ägandeperiod. Garantin omfattar inte skador till följd av slitage, till exempel repor, bucklor, flisor eller mindre kosmetiska sprickor. Dessa estetiska förändringar av grillen påverkar inte dess prestanda. Reparation eller utbyte av någon del sträcker sig inte längre än den begränsade garantin utöver de fem (5) åren från inköpsdatumet.

Under garantiperioden ska Dansons skyldighet begränsas till att tillhandahålla en ersättning för defekta och/eller felaktiga komponenter. Under garantiperioden debiterar Dansons inte för reparation eller byte av återlämnade delar, med förbetald frakt, om delarna har visat sig vara felaktiga vid undersökningen. Dansons ansvarar inte för transportkostnader, arbetskostnader eller exporttullar. Med undantag för vad som anges i dessa garantivillkor, ska reparation eller utbyte av delar på det sätt som nämnts tidigare utgöra uppfyllandet av alla direkta och härledda ansvar och skyldigheter från Dansons till dig.

Dansons vidtar alla försiktighetsåtgärder för att använda material som är rostbeständiga. Även med dessa skyddsåtgärder kan skyddsbeläggningarna äventyras av olika ämnen och förhållanden utanför Dansons kontroll. Höga temperaturer, överdriven luftfuktighet, klor, industriella ångor, gödselmedel, bekämpningsmedel och salt är några av de ämnen som kan påverka metallbeläggningar. Av dessa skäl täcker garantin inte rost eller oxidation, såvida strukturen på grillkomponenten förloras. Läs avsnittet om skötsel och underhåll för att förlänga enhetens livslängd om något av ovanstående inträffar. Dansons rekommenderar användning av ett överdragsskydd när grillen inte används. Denna garanti är baserad på normalt hushållsbruk och service av grillen och ingen begränsad garanti gäller för en grill som används kommersiellt.

UNDANTAG

Det finns ingen skriftlig eller underförstådd garanti på utförandet i Pit Boss® grillar, eftersom tillverkaren inte har någon kontroll över installation, drift, rengöring, underhåll eller typen av bränsle som används. Garantin upphör att gälla och Dansons bär inget ansvar om din apparat inte har installerats, använts, rengjorts och underhållits i strikt överensstämmelse med denna bruksanvisning. All användning av gas som inte anges i denna bruksanvisning kan upphäva garantin. Garantin täcker inte delar som skadats eller gått sönder till följd av felaktig användning, felaktig hantering eller modifieringar. Varken Dansons eller auktoriserad Pit Boss®-återförsäljare ansvarar, rättsligt eller på annat sätt, för indirekt skada eller följdskada på egendom eller personer som uppstår till följd av användning av denna produkt. Oavsett om det görs anspråk på Dansons baserat på brott mot denna garanti eller någon annan typ av garanti som är uttryckt eller underförstådd enligt lag, ska tillverkaren under inga omständigheter hållas ansvarig för några särskilda, indirekta, följdskador eller andra skador av någon annan typ som övergår värdet på det ursprungliga köpet av denna produkt. Alla garantier från tillverkaren anges häri och inga anspråk ska riktas mot tillverkaren avseende någon garanti eller utfästelse. Vissa länder tillåter inte uteslutning eller begränsning av indirekta skador eller följdskador eller begränsningar av underförstådda garantier, så de begränsningar eller undantag som anges i denna begränsade garanti kanske inte gäller dig. Denna begränsade garanti ger dig specifika lagliga rättigheter och du kan ha andra rättigheter som varierar från stat till stat.

BESTÄLLA RESERVDELAR

Om du vill beställa reservdelar kontaktar du en lokal återförsäljare för Pit Boss® eller besöker vår onlinebutik på: www.pitboss-grills.com

KONTAKTA KUNDTJÄNST

Om du har några frågor eller problem kan du kontakta kundtjänst på: www.pitboss-grills.com

GARANTISERVICE

Kontakta närmaste Pit Boss®-återförsäljare om du behöver hjälp med reparationer eller reservdelar. Dansons kräver att du visar upp ett inköpsbevis i samband med hantering av garantianspråk. Spara därför originalkvittot eller fakturan för framtida referens. Serie- och modellnummer för Pit Boss®-enheten finns på insidan av locket till pelletstanken. Anteckna och spara numren nedan, eftersom etiketten kan nötas eller bli oläslig av andra orsaker.

MODELL

SERIENUMMER

INKÖPSDATUM

AUKTORISERAD ÅTERFÖRSÄLJARE

SE

SVENSKA

OHUTUSTEAVE

SEADMETE TULEKAHJUDE PEAMISED PÕHJUSED ON HALB HOOLDUS JA TULEOHTLIKE MATERJALIDE HOIDMINE EBAPIISAVAL KAUGUSEL. ON ÄÄRMISELT TÄHTIS, ET SEDA TOODET KASUTATAKSE AINULT VASTAVALT JÄRGMISTELE JUHISTELE.

Enne toote koostamist, kasutamist või paigaldamist lugege läbi kogu see juhend ja mõistke seda. See tagab uue puitpelletigrilli kõige nauditavama ja muretuma kasutamise. Samuti soovitame teil see juhend edaspidiseks kasutamiseks alles hoida.

OHUD JA HOIATUSED

Vajalike lubade, nõuete või teabe saamiseks paigalduspiirangute kohta, näiteks mis tahes grilli paigaldamise kohta tuleohtlikule pinnale, ülevaatusnõuete või isegi kasutamisevõimaluste kohta, peate pöörduma kohaliku omavalitsuse, oma piirkonna ehitus- või tuletõrjemetnikke või pädeva asutuse poole.

1. Tuleohtlike konstruktsioonide kaugus grilli külgedest peab olema vähemalt 914 mm (36 tolli) ja tagaosast 914 mm (36 tolli). **Ärge paigaldage seadet tuleohtlikele põrandatele ega tuleohtlike katetega kaetud põrandatele, välja arvatud juhul, kui pädevad asutused on seda lubanud.** Ärge kasutage seda seadet siseruumides, suletud või ventilatsioonita piirkonnas, kodudes, sõidukites, telkides ega garaazides. Seda puitpelletiseadet ei tohi asetada tuleohtliku lae ega katuse alla. Hoidke grilli kohas, kus ja mille läheduses puuduvad tuleohtlikud materjalid, bensiin ja muud tuleohtlikud aurud ning vedelikud.

Kui rasv süttib, lülitage grill välja ja katke see kaanega, kuni tuli kustub. Eemaldage toitejuhe pistikupesast. Ärge visake seadmele vett. Ärge proovige tuld lämmatada. Kasulik on kohapeal hoida kinnitatud kõigi tuleklasside (klass ABC) tulekustutit. Kui tulekahju väljub kontrolli alt, helistage tuletõrjesse.

2. Hoidke elektritoitekaablid ja kütus kuumadest pindadest eemal. Ärge kasutage grilli vihma käes ega veeallikate läheduses. Kahjustatud toitejuhtme peab välja vahetama tootja, tootja volitatud teenindus või sarnaselt kvalifitseeritud isik, et vältida ohtusid.
3. Kui te pole seadet mingi aja vältel kasutanud või olete seda hoiustanud, kontrollige, et tulekoldes poleks takistusi, punkris võõrkehi ega ventilaatori sisselaskeavas või korstnas ummistusi. Enne kasutamist puhastage. Seadme kasutusea pikendamiseks on vajalik regulaarne hooldus ja korrashoid. **Kui grilli hoitakse vihmaperioodil või kõrge õhuniiskusega aastaegadel väljas, tuleb jälgida, et punkrisse ei satuks vett.** Märjana või kokkupuutel niiske õhuga puitpelletid paisuvad tugevalt, lagunevad ja võivad etteandesüsteemi ummistada. Enne mis tahes teenindus- või hooldustöid tuleb toide alati lahutada.

Ärge teisaldage grilli kasutamise ajal või siis, kui grill on kuum. Enne teisaldamist veenduge, et tuli oleks täiesti kustunud ja grill oleks puudutades täiesti jahtunud.

4. Grilli kasutamisel on soovitatav kasutada kuumuskindlaid grillimis- või kaitsekindaid. Ärge kasutage tarvikuid, mis pole selle seadme jaoks ette nähtud. Ärge hoidke hoiukohas grilli all grilli kaant ega tuleohtlikke esemeid.
5. Sõrmede, rõivaste või muude esemete kokkupuute vältimiseks tigukonveierisüsteemiga on seade varustatud metallist turvavõrega, mis on kinnitatud punkri sisse. Seda võret ei tohi eemaldada, v.a klienditeeninduse või volitatud edasimüüja loal.

Seda seadet tohivad kasutada lapsed, kes on vähemalt 8-aastased, ja inimesed, kellel on piiratud füüsilised, sensoorsed või vaimsed võimed või kellel puuduvad kogemused ja teadmised, kui nad teevad seda järelevalve all või on saanud seadme ohutuks kasutamiseks vajalikud juhised ja mõistavad seotud ohtusid. Lapsed ei tohi seadmega mängida. Lapsed ei tohi seadet järelevalveta puhastada ega hooldada.

6. Grilli osad võivad olla väga kuumad ja tekitada raskeid vigastusi. Hoidke väikelapsed ja lemmikloomad kasutamise ajal eemal.
7. Ärge suurendage süüteseadme auke ega tulekoldeid. Selle hoiatuse eiramine võib põhjustada tulekahjuuhtu ja kehavigastusi ning tühistab garantii.
8. Tootel võivad olla teravad servad või otsad. Kokkupuude võib vigastada. Käsitsege ettevaatlikult.

TUHA EEMALDAMINE

Tuhk tuleks panna tihedalt suletava kaanega metallmahutisse. Suletud tuhamahuti tuleks kuni tuha lõpliku kõrvaldamiseni asetada mittesüttivale põrandale või maapinnale, eemale kõigist tuleohtlikest materjalidest. Kui tuhk maetakse maha või puistatakse muul viisil laiali, tuleks seda hoida suletud mahutis seni, kuni kõik tuhaosakesed on täiesti jahtunud.

PUITPELLETIKÜTUS

See pelletiküttega küpsetusseade on ette nähtud ja kinnitatud ainult looduslikule puitpelletikütusele. Mis tahes muu selles seadmes põletatud kütus tühistab garantii ja ohutusloendi kehtivuse. Võite kasutada ainult täiesti looduslikke puitpelletteid, mis on ette nähtud põletamiseks pelletigrillides. Ärge kasutage lisanditega kütust. Puitpelletid on niiskuse suhtes väga tundlikud ja neid tuleks alati hoida õhukindlas anumas. Kui hoiate oma grilli pikemat aega kasutuseta, soovitame ummistuste vältimiseks eemaldada grilli punkrist ja tigukonveierist kõik pelletid. Pelletikütte keskmine kütteväärtus on 8000-8770 BTU/LB, tuhasisaldus < 1%.

Ärge kasutage grillis tule süütamiseks ega suurendamiseks piiritust, bensiini, süütevedelikku või petrooleumi. Hoidke kõik sellised vedelikud seadme kasutamise ajal eemal.

Trükkimise ajal ei ole grillpuitpelletite jaoks tööstusstandardit, ehkki enamik pelletitehaseid kasutab kodumajapidamises kasutatavate puitpelletite valmistamiseks samu standardeid. Lisateavet leiate veebilehelt www.pelletheat.org või *Pelletikütuse instituudist*.

Teie piirkonna pelletite kvaliteedi ja tootemargikvaliteedi kohta saate teavet kohalikult edasimüüjalt. Kuna kasutatavate pelletite kvaliteedi üle puudub kontroll, ei vastuta me halva kvaliteediga kütuse põhjustatud kahju eest.

KREOSOOT

Kreosoot ehk nõgi on tõrvasarnane aine. Põlemisel tekitab see musta suitsu, mille jäägid on ka musta värvi. Nõgi või kreosoot moodustub seadme valel kasutamisel, nt põletusventilaatori ummistuse, põletuspiirkonna puhastamata ja hooldamata jätmise või halva õhuvarustuse korral.

Selle seadme kasutamine on ohtlik, kui leek muutub tumedaks, tahmaseks või kui tulekolle on pelletitega ületäitunud. Süttimisel tekitab see kreosoot äärmiselt kuumat ja juhitamatut tule, mis on sarnane tulega rasva põlemisel. Sel juhul lülitage seade välja, laske täielikult jahtuda, seejärel kontrollige, kas see on korras ja puhastatud. Tavaliselt koguneb see väljalaskepiirkondadesse.

Kui seadmes on moodustunud kreosoot, laske seadmel madalal temperatuuril soojeneda, lülitage seade välja ja pühkige kõik moodustised lapiga ära. Sarnaselt tõrvaga on seda soojana puhastada palju lihtsam, kuna see muutub vedelaks.

SÜSINIKMONOKSIID („VAIKNE TAPJA“)

Süsinikmonoksiid on värvitu, lõhnatu ja maitsetu gaas, mis moodustub gaasi, puidu, propaani, söe või muu kütuse põletamisel. Süsinikmonoksiid vähendab vere võimet siduda hapnikku. Väike hapnikusisaldus veres võib põhjustada peavalu, pearinglust, nõrkust, iiveldust, oksendamist, unisust, segasust, teadvusekaotust või surma. Järgige neid juhiseid, et see värvitu ja lõhnatu gaas ei mürgitaks teid, teie perekonda ega teisi inimesi.

- Pöörduge arsti poole, kui teil või teistel tekivad toiduvalmistamise ajal või seadme läheduses külmetuse või gripilaadsed sümptomid. Süsinikmonoksiidimürgistus, mille võib kergesti segi ajada külmetuse või gripiga, avastatakse sageli liiga hilja.
- Alkohol ja narkootikumid suurendavad süsinikmonoksiidimürgistuse mõju.

Süsinikmonoksiid on eriti mürgine emale ja lapsele raseduse ajal, imikutele, eakatele, suitsetajatele ning inimestele, kellel on probleeme vere- või vereringesüsteemiga, näiteks aneemia või südamehaigus.

OHUTUSLOEND

Conforms to EN 60335-2-102:2016, EN 60335-1:2012 + A11:2014 + A13:2017 + A1: 2019 + A14: 2019 + A2: 2019, EN62233: 2008, EN 55014-1:2017, EN IEC 61000-3-2:2019, EN 61000-3-3:2013+A1:2019, EN 55014-2:2015.



FCC VASTAVUSAVALDUS

See seade vastab FCC eeskirjade 15. osale. Kasutamisele kohaldatakse järgmist kahte tingimust: 1) see seade ei tohi põhjustada kahjulikke häireid ja 2) see seade peab vastu võtma mis tahes kahjulikud häired, sealhulgas tööd soovimatult mõjutada võivad häired.



Seda seadet on katsetatud ja on kinnitatud, et see vastab FCC eeskirjade 15. osas sätestatud B-klassi digitaalseadme nõuetele. Need nõuded on kehtestatud pakkuma kahjulike häirete vastu piisavat kaitset elamupiirkonnas kasutamise korral. See seade tekitab, kasutab ja võib kiirata raadiosageduslikku energiat, ning kui seda ei paigaldata ega kasutata juhiste järgi, võib see tekitada kahjulikke raadiosidehäireid. Häireid võib siiski esineda igas paigaldises. Kui seade häirib raadio- või telesignaali vastuvõttu, mida saab kindlaks teha seadme korraks sisse- ja väljalülitamise abil, saab kasutaja häirete korrigeerimiseks võtta järgmisi meetmeid.

- Muutke vastuvõtuantenni suunda või asendit.
- Suurendage seadme ja vastuvõtja vahelist kaugust.
- Ühendage seade vastuvõtja omast erineva toiteahela pistikupesaga.
- Pöörduge abi saamiseks edasimüüja või kogenud raadio-/teletehniku poole.

Ettevaatust! Kasutajal tuleb arvesse võtta, et nõuetelevastavuse eest vastutava osapoole selgesõnalise heakskiiduta tehtud muudatused või modifikatsioonid võivad tühistada kasutaja õiguse seadet kasutada.

Bluetooth®-i sõnamärk ja logo on ettevõtte Bluetooth® SIG, Inc. registreeritud kaubamärgid ja Espressif kasutab neid litsentsi alusel. Muud kaubamärgid ja kaubanimed kuuluvad nende vastavatele omanikele.



AUTORIÕIGUSE TEATIS

Autoriõigus 2021. Kõik õigused kaitstud. Ühtegi selle juhendi osa ei tohi mingil kujul ega viisil kopeerida, edastada, transkribeerida ega salvestada ilma sellekohase kirjaliku loata

DANSONS EUROOPA

11 Rue Galvani Pariis, Prantsusmaa 75017

DANSONS PÕHJA-AMEERIKA

3411 North 5th Avenue, Suite 500, Phoenix, AZ, USA 85013

KLIENDITEENINDUS

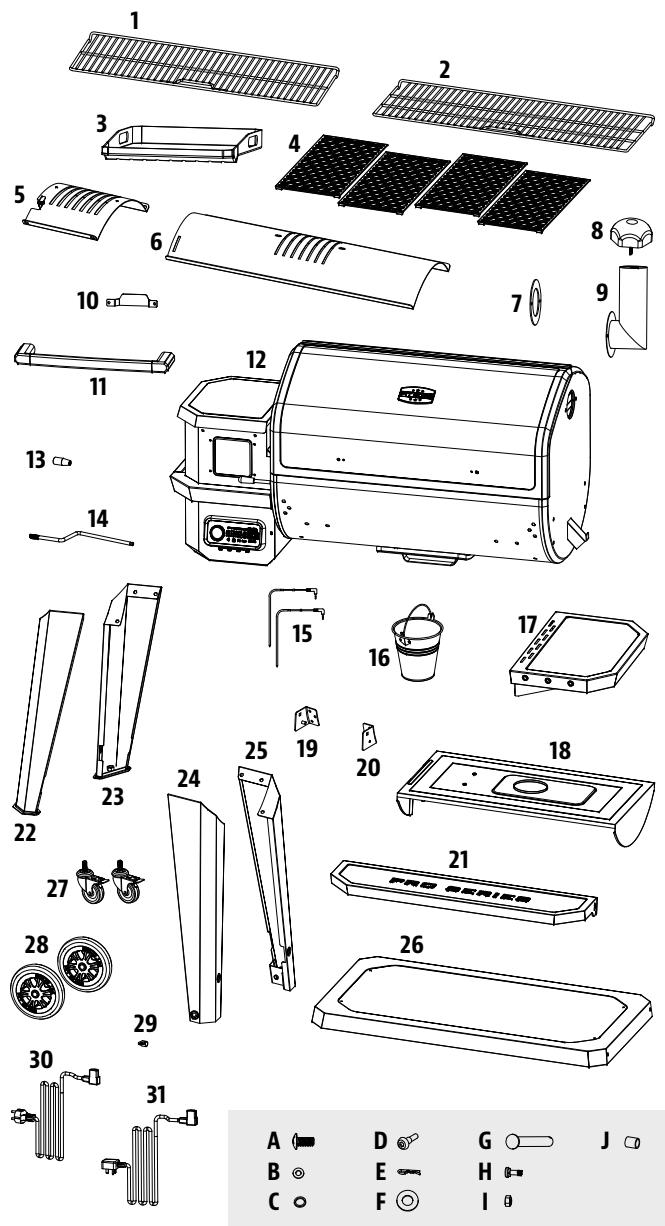
www.pitboss-grills.com

SISUKORD

Ohutusteave	282
Osad ja andmed	286
Koostamise ettevalmistamine	287
Kokkupanemisjuhised	
Jalgade kinnitamine põhitrumli külge	287
Alumise riuli paigaldamine	288
Rataste kinnitamine käru külge.....	288
Kaane käepideme paigaldamine	288
Külgriiuli kokkupanemine	289
Külgriiuli paigaldamine.....	289
Korstna kinnitamine	289
Eesmise riuli klambrite kinnitamine	290
Eesmise riuli paigaldamine	290
Hajutiplaadi kohaleasetamine	290
Leegihajuti osade paigaldamine	291
Küpsetusosade paigaldamine	292
Võreriputi kinnitamine.....	292
Rasvaämbri paigutamine	292
Toitejuhtme paigaldamine.....	293
Toiteallikaga ühendamine.....	293
Kasutusjuhised	
Grillimiskeskkond	294
Grilli temperatuurivahemikud.....	295
Juhtpaneeli kirjeldus	296
Juhtpaneeli funktsioonid	297
Rakendusega Smoke iT® ühenduse loomine	299
Punkri eelkäivitus.....	300
Esimene kasutuskord – grilli puhtakspõletamine	300
Automaatne käivitaminine.....	300
Grilli väljalülitamine.....	300
Korrashoid ja hooldus	301
Näpunäited ja tehnikad.....	303
Tõrkeotsing	304
Elektriskeem.....	306
Varuosad	
Grilli varuosad	307
Punkri varuosad.....	308
Garantii.....	309

OSAD JA ANDMED

Osa nr	Kirjeldus
1	Ülemine küpsetusraam (1 tk)
2	Keskmine küpsetusraam (1 tk)
3	Küpsetusplaat (1 tk)
4	Küpsetusrestid (4 tk)
5	Leegihajuti liugur (1 tk)
6	Leegihajuti põhiplaat (1 tk)
7	Korstna tihend (1 tk)
8	Korstnamüts (1 tk)
9	Korstnakere (1 tk)
10	Võreriputi (1 tk)
11	Kaane käepide (1 tk)
12	Põhitrumli/punkri koost (1 tk)
13	Leegihajuti reguleerimisvarda käepide (1 tk)
14	Leegihajuti reguleerimisvarras (1 tk)
15	Lihaandur (2 tk)
16	Rasvaämber (1 tk)
17	Külgriiul (1 tk)
18	Hajutiplaat (1 tk)
19	Eesmise riuli klamber / vasak (1 tk)
20	Eesmise riul klamber / parem (1 tk)
21	Eesmine riul (1 tk)
22	Vasak tugijalg – eesmine (1 tk)
23	Vasak tugijalg – tagumine (1 tk)
24	Parem tugijalg – eesmine (1 tk)
25	Parem tugijalg – tagumine (1 tk)
26	Alumine riul (1 tk)
27	Lukustatavad rullikurratad (2 tk)
28	Ratas (2 tk)
29	Toitejuhtme klamber (1 tk)
30	Toitejuhe – F-pistik (1 tk)
31	Toitejuhe – G-pistik (1 tk)
A	Kruvi (28 tk)
B	Seib (24 tk)
C	Lukustusseib (22 tk)
D	Tööriistakonks (3 tk)
E	Ratta splint (2 tk)
F	Ratta seib (2 tk)
G	Rattatelje tihvt (2 tk)
H	Kruvi (2 tk)
I	Mutter (2 tk)
J	Puks (2 tk)



MÄRKUS. Pideva tootearenduse tõttu võidakse osi muuta ilma ette teatamata. Kui seadme kokkupanemisel jääb osasid puudu, pöörduge klienditeeninduse poole.

PB – ELEKTRINÕUDED
220–240 V, 50 Hz, 275 W, MAANDUSEGA PISTIK

MUDEL	KOKKUPANDUD SEADE (P × L × K)	KAAL	KÜPSETUSALA	TEMPERatuurIVAHEMIK
PB PB1600P51	1587,5 MM × 813,5 MM × 1400 MM / 62,50 TOLLI × 32,03 TOLLI × 55,12 TOLLI	110,0 KG / 242,5 NAELA	ÜLEMINE RAAM – 2474,8 CM ² / 383,6 TOLLI ² KESKMINE – 3249,6 CM ² / 503,7 TOLLI ² PÕHIALA – 4587,1 CM ² / 711,0 TOLLI ² KOKKU – 10 311,5 CM ² / 1598,3 TOLLI ²	82–260 °C / 180–500 °F

KOKKUPANEMISEKS VALMISTUMINE

Osad asuvad kogu tarnekarbis, ka grilli all. Pärast kaitsva tarnekarbi eemaldamist kontrollige grilli, osasid ja kinnitusdetailide mullipakendit. Enne kokkupanekut eemaldage grilli välised ja sisemised pakendimaterjalid, seejärel vaadake läbi ja kontrollige kõiki osi, lähtudes osade loendist. Kui mõni osa puudub või on kahjustatud, ärge proovige seadet kokku panna. Transpordikahju ei kuulu garantii alla. Varuosade saamiseks pöörduge edasimüüja või ettevõtte Pit Boss® klienditeeninduse.

www.pitboss-grills.com

TÄHTIS: selle seadme paigaldamine kahe inimesega on kergem (kuid mitte vajalik).

Kokkupanemiseks vajalikud tööriistad: kruvikeeraja ja lood. *Tööriistad ei kuulu komplekti.*



KOKKUPANEMISJUHISED

TÄHTIS! Enne juhiste järgi kokkupanemist on soovitatav lugeda täielikult läbi iga etapp. Ärge pingutage kruvisid täielikult enne, kui kõik kindla etapi kruvid on paigaldatud. Riistvarakombinatsioon, mis hõlmab lukustusseibi ja seibi, tuleb paigaldada nii, et lukustusseib on kruvipeale lähemal.

1. JALGADE KINNITAMINE PÕHITRUMLI KÜLGE

Vajalikud osad

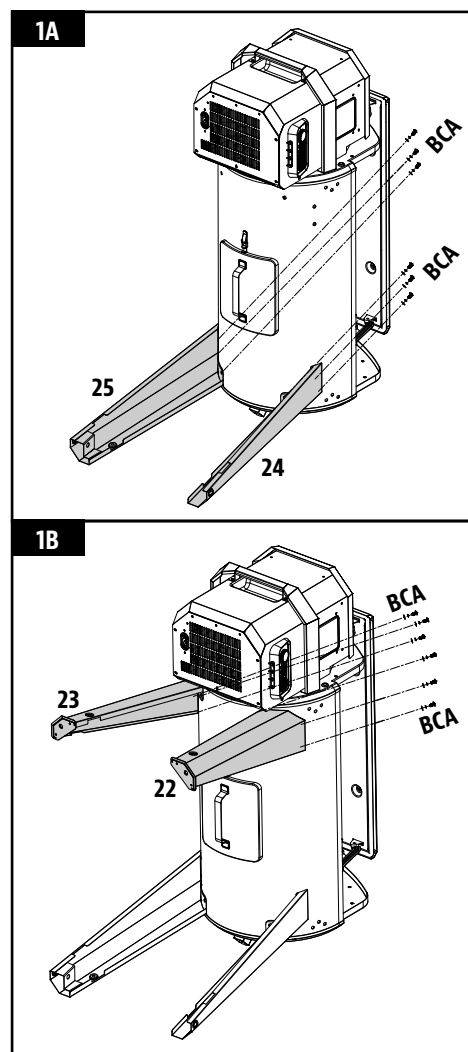
- 1 x põhitrumli/punkri koost (nr 12)
- 1 x vasak tugijalg – eesmine (nr 22)
- 1 x vasak tugijalg – tagumine (nr 23)
- 1 x parem tugijalg / eesmine (nr 24)
- 1 x parem tugijalg / tagumine (nr 25)
- 12 x kruvi (A)
- 12 x seib (B)
- 12 x lukustusseib (C)

Paigaldus

- Pange põrandale tükk pappi, et vältida kokkupanemise ajal seadme ja osade kriimustamist. Asetage põhitrummel külili papile, punkriots üleval.
- Paigaldage eesmine parem tugijalg põhitrumli põrandaotsale läbi kolme eelpuuritud augu kolme kruvi, lukustusseibi ja seibiga. Paigaldage kruvid põhitrumli siseküljelt. Korrake sama toimingut tagumise parema tugijalaga. Vt joonist 1A.
- Järgmisena paigaldage eesmine vasak tugijalg põhitrumli punkriotsale läbi kolme eelpuuritud augu kolme kruvi, lukustusseibi ja seibiga. Paigaldage kruvid põhitrumli siseküljelt. Korrake sama toimingut tagumise vasaku tugijalaga. Vt joonist 1B.

TÄHTIS! Ärge pingutage kruvisid lõpuni enne, kui järgmises etapis on paigaldatud alumine riiul.

2. ALUMISE RIIULI PAIGALDAMINE



EE

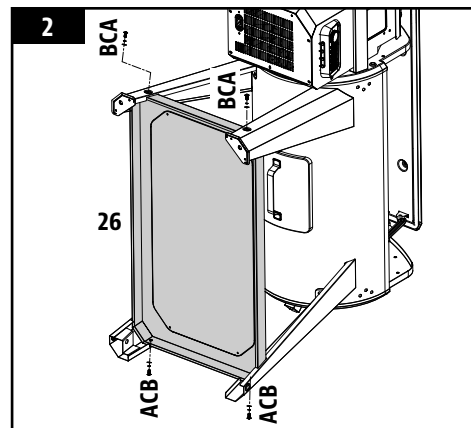
EESTI KEEL

Vajalikud osad

- 1 x alumine riiul (nr 26)
- 4 x kruvi (A)
- 4 x seib (B)
- 4 x lukustusseib (C)

Paigaldus

- Paigaldage alumine riiul iga tugijala külge, kasutades kruvi, lukustusseibi ja seibi. Veenduge, et riiuli lame pind oleks suunatud ülespoole, grillitrumli poole.



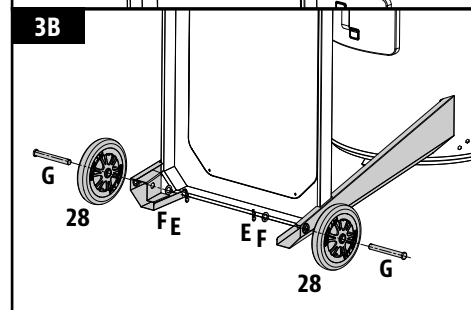
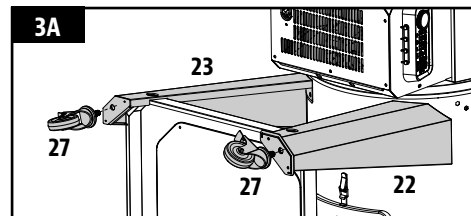
3. RATASTE KINNITAMINE KÄRU KÜLGE

Vajalikud osad

- 2 x lukustatavad rullikurattad (nr 27)
- 2 x ratas (nr 28)
- 2 x ratta splint (E)
- 2 x ratta seib (F)
- 2 x rattatelje tihvt (G)

Paigaldus

- Paigaldage üks lukustatav rullikuratas iga vasaku tugijala alla ja keerake need käsitsi avasse kinni. Sisestage iga lukustatav rullikuratas kindlasti täielikult. Vt joonist 3A.
- Kinnitage üks ratas iga parema tugijala külge, sisestades rattatelje tihvti läbi ratta, tugijala ava, ratta seibi, seejärel kinnitage lõpuks ratta splindi abil. Vt joonist 3B.
- Kui riiul on kinnitatud, tõstke grill ettevaatlikult püsti.



TÄHTIS! Pärast grilli püstitõstmist taaskinnitage tugijalgade kruvid, et need oleksid kindlalt kinnitatud.

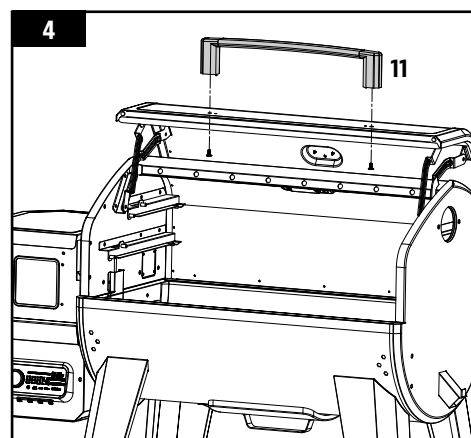
4. KAANE KÄEPIDEME PAIGALDAMINE

Vajalikud osad

- 1 x kaane käepide (nr 11)

Paigaldus

- Eemaldage kaane käepidemest eelpaigaldatud kruvid. Sisestage trumli kaane siseküljelt üks kruvi seest väljapoole, seejärel keerake kruvi (seestpoolt) käsitsi kaane käepidemesse. Paigaldage samal viisil kaane käepideme teine ots.



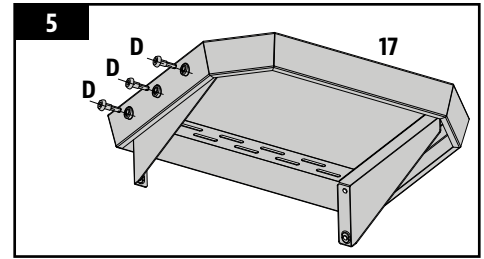
5. KÜLGRIIULI KOKKUPANEMINE

Vajalikud osad

- 1 x külgriiul (nr 17)
- 3 x tööriistakonks (D)

Paigaldus

- Keerake külgriiul tagurpidi. Paigaldage külgriiuli kolme avaga küljel igasse avasse tööriistakonks. Tööriistakonksud kinnitavad sisse eelpaigaldatud mutri.



6. KÜLGRIIULI PAIGALDAMINE

Vajalikud osad

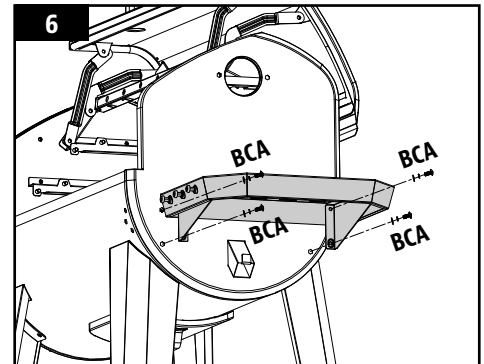
- 4 x kruvi (A)
- 4 x lukustusseib (C)
- 4 x seib (B)

Paigaldus

- Kinnitage külgriiul altpoolt põhitrumli külgpaneelile, kasutades nelja kruvi, lukustusseibe ja seibe.

MÄRKUS. Ärge pingutage kruvisid lõpuni enne, kui kõik kruvid on paigaldatud. Pärast kõigi kruvide paigaldamist keerake need korralikult kinni.

TÄHTIS! Ärge kasutage grilli liigutamiseks või tõstmiseks riuleid. Seadme kaalu tõttu võivad riulid puruneda ja see ei kuulu garantii alla.



7. KORSTNA KINNITAMINE

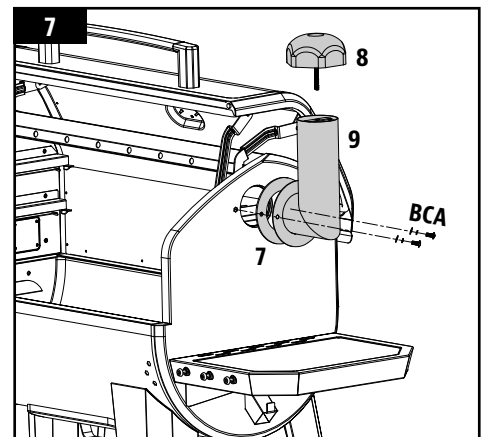
Vajalikud osad

- 1 x korstna tihend (nr 7)
- 1 x korstnamüts (nr 8)
- 1 x korstnakere (nr 9)
- 2 x kruvi (A)
- 2 x lukustusseib (C)
- 2 x seib (B)

Paigaldus

- Otsige üles põhitrumli küljel olev korstnaava. Kinnitage korstnakere ja korstna tihend väljastpoolt kahe kruviga, lukustusseibi ja seibiga külgpaneeli külge. Kruvi kinnitub trumli sisse eelpaigaldatud mutri külge.
- Järgmiseks kinnitage korstnakere peale korstnamüts, keerates korstnamütsi kruvi korstnakeresse.

MÄRKUS. Põhigrillis õhuvoolu muutmiseks reguleerige korstnamütsi. Madalal temperatuuril küpsetamiseks hoidke müts rohkem avatud. Veenduge, et korstnamüts laseks õhul välja pääseda.



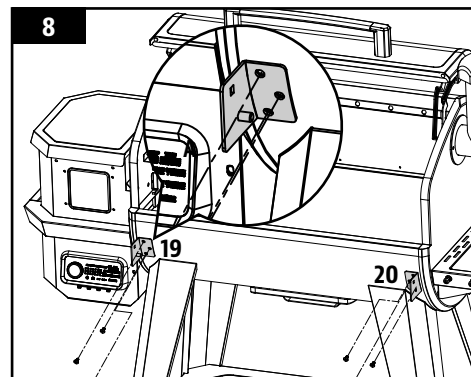
8. EESMISE RIIULI KLAMBRITE KINNITAMINE

Vajalikud osad

- 1 x eesmise riuli klamber / vasak (nr 19)
- 1 x eesmise riuli klamber / parem (nr 20)
- 6 x kruvi (A)

Paigaldus

- Kinnitage üks eesmise riuli klamber kolme kruviga grilli trumli külge. Paigaldage iga kruvi poolenisti, seejärel keerake kinni, kui kõik kolm kruvi on paigaldatud ja õigesti joondatud.
- Korrake sama toimingut teise eesmise riuli klambriga.



9. EESMISE RIIULI PAIGALDAMINE

Vajalikud osad

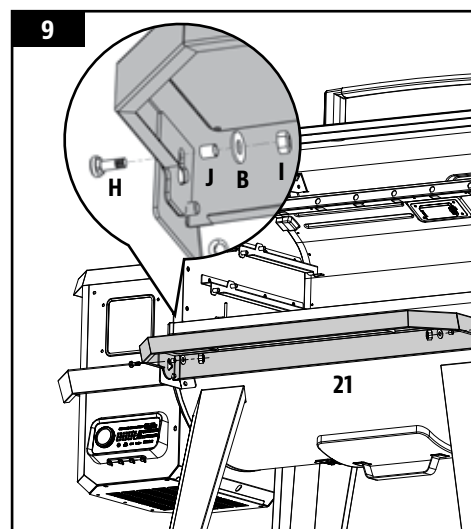
- 1 x eesmine riul (nr 21)
- 2 x seib (B)
- 2 x kruvi (H)
- 2 x mutter (I)
- 2 x puks (J)

Paigaldus

- Sisestage kruvi altpoolt (väljastpoolt) eesmise riuli klambrisse ja eesmise riulisse, seejärel lisage kruvi peale puks, seib, seejärel mutter. Korrake toimingut eesmise riuli teisel küljel.

MÄRKUS. Õige paigaldamise korral saab eesmist riulit hõlpsasti tõsta (kasutamiseks) ja langetada (hoiustamiseks).

TÄHTIS! Ärge kasutage grilli liigutamiseks või tõstmiseks riuleid. Seadme kaalu tõttu võivad riulid puruneda ja see ei kuulu garantii alla.



10. HAJUTIPLAADI KOHALEASETAMINE

Vajalikud osad

- 1 x hajutiplaat (nr 18)

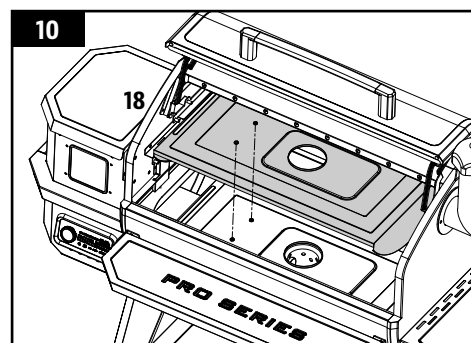
Paigaldus

- Asetage hajutiplaat põhitrumlisse nii, et keskmine ava oleks täpselt joondatud põhitrumli põhjas paikneva ringikujulise tulekoldega.

MÄRKUS. Hajutiplaat ei nõua kinnitamist.

11. LEEGIHAJUTI OSADE PAIGALDAMINE

Vajalikud osad



- 1 x leegihajuti liugur (nr 5)
- 1 x leegihajuti põhiplaat (nr 6)
- 1 x leegihajuti reguleerimisvarda käepide (nr 13)
- 1 x leegihajuti reguleerimisvarras (nr 14)

Paigaldus

- Sisestage leegihajuti põhiplaat parem külg ees põhigrilli. Toetage leegihajuti põhiplaat põhigrilli sisseehitatud servale (paremal siseküljel), mis juhib rasvaämbrisse. Libistage kogu koost vasakule ja leegihajuti põhiplaadi kaks pilu sobituvad ümardatud servale tulekolde kohal. See jääb veidi allasuunatud nurga alla. Vt joonist 11A.

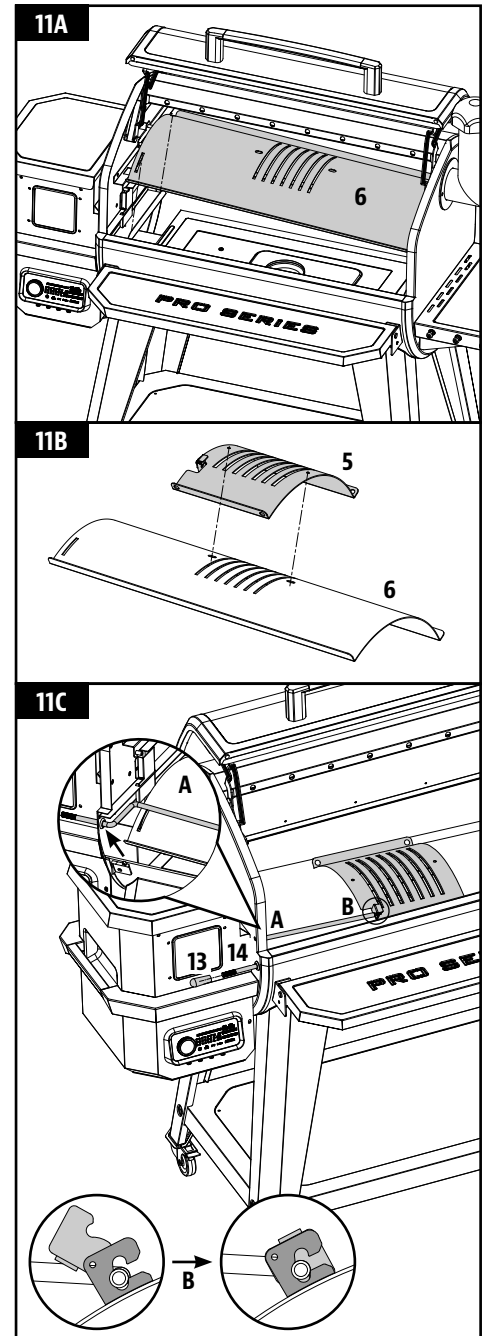
TÄHTIS! Kui leegihajuti põhiplaat asub trumli põhjas, on see valesti paigaldatud. Leegihajuti põhiplaat peab paiknema nurga all selliselt, et vasak pool oleks paremast kõrgemal. Selle osa halb paigaldus võib tekitada kahjustusi põhigrilli trumlile.

- Asetage leegihajuti liugur leegihajuti põhiplaadi peale, kattes piludega avad. Veenduge, et tõstetud sakk oleks vasakul, et küpsetamise ajal hõlpsalt reguleerida otsest või kaudset leeki. Vt joonist 11B. Leegihajuti mõlemad osad on kergelt kaetud õliga, et vältida tarnimise ajal rooste tekkimist.
- Järgmiseks eemaldage leegihajuti reguleerimisvardalt leegihajuti reguleerimisvarda käepide. Sisestage leegihajuti reguleerimisvarras läbi põhitrumli vasakul küljel oleva ava. Pange leegihajuti reguleerimisvarda käepide tagasi trumlist väljaulatuvale otsale. Järgmisena libistage reguleerimisvarda sälguga ots leegihajuti liuguri lukustussakki, mis võimaldab teil põhiplaadil leegihajuti liugurile reguleeritavat ligipääsu. Vt toiminguid joonisel 11C.

MÄRKUS. Kui leegihajuti liugur on avatud ja kasutatakse otsest leeki, ärge jätke grilli hetkekski järelevalveta.

12. KÜPSETUSOSADE PAIGALDAMINE

Vajalikud osad

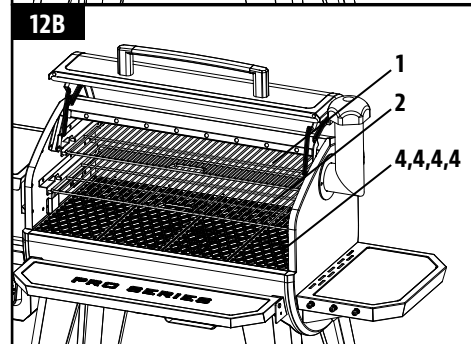
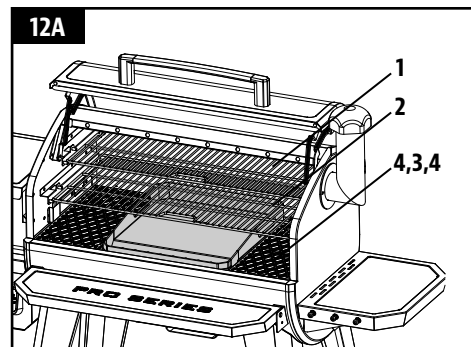


- 1 x ülemine küpsetusraam (nr 1)
- 1 x keskmine küpsetusraam (nr 2)
- 1 x küpsetusplaat (nr 3)
- 4 x küpsetusrestid (nr 4)

Paigaldus

- Valigesoovitud põhiküpsetuspind: kaks küpsetusresti küpsetusplaadiga (kujutatud joonisel 12A) või neli küpsetusresti (kujutatud joonisel 12B). Asetage valitud küpsetuspindade kombinatsioon põhigrilli sees olevatele alumistele restiservadele.
- Järgmiseks asetage keskmine küpsetusraam põhigrilli sees keskmistele servadele. Asetage ülemine küpsetusraam põhigrilli sees ülemistele servadele.

MÄRKUS. Küpsetusrestide ja küpsetusraamide pruunistus- ja grillimisjõudluse säilitamiseks on vajalik regulaarne hooldus ja korrashoid.



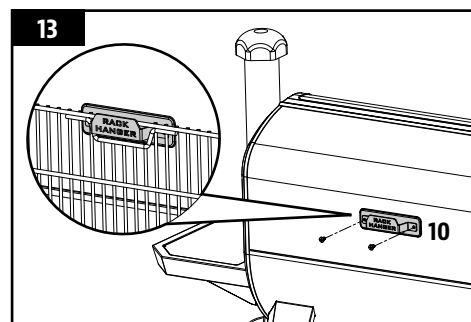
13. VÕRERIPUTI KINNITAMINE

Vajalikud osad

- 1 x võreriputi (nr 10)

Paigaldus

- Kinnitage võreriputi põhitrumli tagapaneeli külge eelkoostu kahe kruvi abil. Võreriputile saate riputada küpsetusraamid, kui neid ei kasutata.



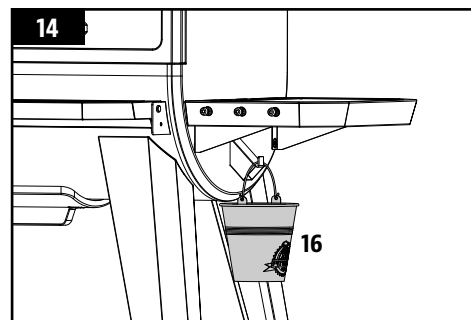
14. RASVAÄMBRI PAIGUTAMINE

Vajalikud osad

- 1 x rasvaämber (nr 16)

Paigaldus

- Asetage rasvaämber põhitrumli otsa tilakonsule. Rasva mahatilkumise vältimiseks veenduge, et see oleks loodis.
- Seade on nüüd täielikult kokku pandud.



15. TOITEJUHTME PAIGALDAMINE

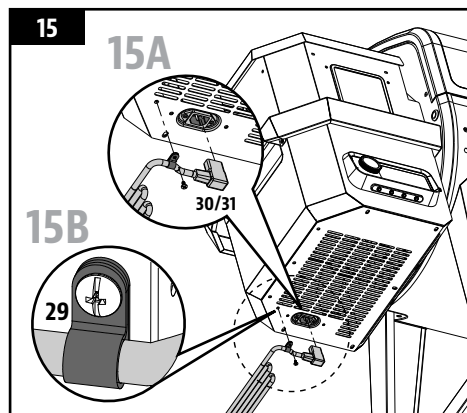
MÄRKUS. Kaasas on kaks toitejuhet. Valige toitejuhe, mis on vajalik teie piirkonnas.

Vajalikud osad

- 1 x toitejuhtme klamber (nr 29)
- 1 x toitejuhe (nr 30 või nr 31)

Paigaldus

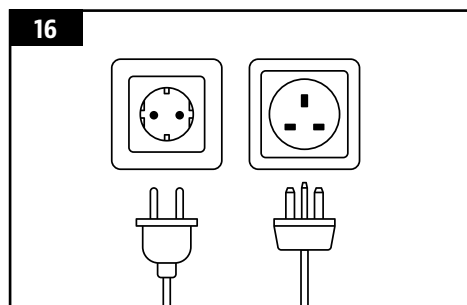
- Paigaldage toitejuhtmele toitejuhtme klamber. Seejärel sisestage toitejuhe seadme põhjal olevasse soonde. Vt joonist 15A.
- Kinnitage toitejuhtme klamber joonisel kujutatud viisil eelpaigaldatud kruviga põhjapaneeli külge. Vt joonist 15B.



16. TOITEALLIKAGA ÜHENDAMINE

- STANDARDPESA**
Selle seadme tööks on vaja 220–240 V, 50 Hz, 275 W. See peab olema maandusega pistik. Enne kasutamist veenduge, et maandatud ots ei ole katki. Juhtpaneel kasutab 220–240-voldist kiirkaitset, et kaitsta paneeli süüteseadme eest.

TÄHTIS! Kui seadet ei kasutata, lahutage see toiteallikast.



KASUTUSJUHISED

Tänapäevase elustiili juures, kus süüakse tervislikke ja toitainerikkaid toite, tuleb kaaluda rasva tarbimise vähendamist. Üks paremaid viise rasva vähendamiseks dieedis on madala rasvasisaldusega toidu valmistamise meetod, näiteks grillimine. Kuna pelletigrillis kasutatakse naturaalseid puitpelleteid, jääb lihale rikkalik puidumaitse, mis vähendab vajadust kõrge suhkrusisaldusega kastmete järele. Selles kasutusjuhendis märkate rõhuasetust toidu aeglasele grillimisele MADALAL või KESKMISEL temperatuuril.

GRILLIMISKESKKOND

1. GRILLI ÜLESSEADMISKOHT

Nagu kõigi väliseadmete puhul, mängivad välised ilmastikutingimused suurt rolli ka teie grilli töös ja täiuslike roogade valmistamiseks vajalike küpsetusaegade valikus.

Tuleohtlike konstruktsioonide kaugus ettevõtte Pit Boss® seadmetest peab olema vähemalt 914 mm (36 tolli) ja seda kaugust tuleb seadme käitamise ajal hoida. Seda seadet ei tohi asetada tuleohtliku lae ega katuse alla. Hoidke grilli kohas, kus puuduvad tuleohtlikud materjalid, bensiin ja muud tuleohtlikud aurud ning vedelikud.

2. KÜPSETAMINE KÜLMA ILMAGA

Kui õues muutub jahedamaks, ei tähenda see, et grillimishooaeg on läbi! Karge jahe õhk ja suitsutatud toitade taevane aroom aitavad ravida teie talvist nukrust.

Jahedamatel kuudel grillist rõõmu tundmiseks järgige neid soovitusi.

- Kui madalatel temperatuuridel suitsutamine ebaõnnestub, tõstke sama tulemuse saavutamiseks pisut temperatuuri.
- Korraldamine – enne õue suundumist seadke kõik vajalik köögis valmis. Talvel viige grill varju tuule ja otsese külma eest. Kontrollige kohalikke norme, mis käsitlevad teie grilli kaugust teie majast ja/või muudest tarinditest. Pange kõik vajalikud asjad alusele, siduge kokku ja tehke see ära!
- Välistemperatuuri jälgimiseks pange välitermomeeter oma küpsetusala lähedusse. Pidage päevikut või registreerige küpsetisi, välistemperatuuri ja küpsetusaega. See aitab teil hiljem otsustada, mida küpsetada ja kui kaua see võtab aega.
- Väga külma ilmaga pikendage eelsoojendusaega vähemalt 20 minuti võrra.
- Ärge tõstke kaant rohkem kui vaja. Külmad tuuleilid võivad teie grilli täiesti maha jahutada. Olge serveerimisaja suhtes paindlik; pikendage küpsetusaega pärast kaane igat avamiskorda.
- Pange soojendatud vaagen või roakate valmis, et hoida oma toit soojana, kui käite vahepeal ära.
- Talviseks küpsetamiseks on ideaalsed toidud sellised, mis nõuavad vähe tähelepanu, näiteks praed, terved kanad, ribid ja kalkun. Tehke toiduvalmistamine veelgi kergemaks, lisades lihtsaid toiduaineid, näiteks köögivilju ja kartuleid.

3. KÜPSETAMINE KUUMA ILMAGA

Kui ilm soojeneb, küpsetusaeg lüheneb.

Soojadel kuudel grillist rõõmu tundmiseks järgige paari järgmist soovitusi.

- Reguleerige küpsetustemperatuur madalamale. See aitab vältida soovimatuid leegitsusi.
- Toidu sisetemperatuuri mõõtmiseks kasutage lihatermomeetrit. See aitab vältida liha üleküpsetamist ja kuivamist.
- Isegi kuuma ilmaga on ikka parem küpsetada suletud grillikaanega.
- Saate toitu soojas hoida, kui pakite selle fooliumisse ja asetate isoleeritud jahutuskasti. Mähkige fooliumisse pakitud toidu ümber ajalehepaber – see hoiab toitu soojana 3 kuni 4 tundi.

GRILLI TEMPERatuurIVAHEMIKUD

Temperatuurinäit juhtpaneelil ei pruugi täpselt vastata termomeetri näidule. Kõik järgnevad loetletud temperatuurid on ligikaudsed ja neid mõjutavad järgmised tegurid: välisõhu temperatuur, tuule kiirus ja suund, kasutatava pelletikütuse kvaliteet, kaane avamine ja küpsetatava toidu kogus.

- **KÕRGE TEMPERatuurUR (205–260 °C / 401–500 °F)**

Seda vahemikku on kõige parem kasutada suure kuumusega pruunistamiseks ja grillimiseks. Kasutage koos leegihajutiga (liugurplaat) küpsetamiseks hajutatud või otsesel leegil. **Avatud leegihajuti** korral kasutatakse otsest leeki väheküpsetatud lihalõikude, aga ka leegiga veidi kokku puutunud köögiviljade, küüslauguleibade ja muu valmistamiseks. **Suletud leegihajuti** korral ringleb õhk trumlis ja toob kaasa konveksioonisoojuse. Kõrget temperatuuri kasutatakse ka grilli eelsoojendamiseks, küpsetusrestide puhtakspõletamiseks ja tugevaks kuumutamiseks külma ilmaga.

- **KESKMINE TEMPERatuurUR (135–180 °C / 275–356 °F)**

See vahemik sobib kõige paremini küpsetamiseks, röstimiseks ja aeglaseks suitsutatud toidu valmistamiseks. Küpsetamine sellisel temperatuuril vähendab oluliselt rasva süttimise tõenäosust. Veenduge, et leegihajuti liugur oleks suletud asendis ja kataks piludega avad. Suurepärase valik peekonisse mähitud toidu valmistamiseks või siis, kui soovite toiduvalmistamist paindlikult reguleerida.

- **MADAL TEMPERatuurUR (82–125 °C / 180–257 °F)**

Seda vahemikku kasutatakse aeglaseks röstimiseks, suitsuse maitse tugevdamiseks ja toitude soojana hoidmiseks. Lisage rohkem suitsumaitset ja hoidke liha mahlasemana, küpsetades seda pikemat aega madalamal temperatuuril (nimetatakse ka **madal tulel ja aeglaseks küpsetamiseks**). Soovitav suure kalkuni küpsetamiseks tänapühadel, mahlaka singi küpsetamiseks lihavõttepühade ajal või suure prae küpsetamiseks pühaderoaks.

Suitsutamine on tõelise grillimise variatsioon ja on tõepoolest puitpelletitega grillimise peamine eelis. **Kuumsuitsutamine**, mida nimetatakse ka **madalal tulel ja aeglaseks küpsetamiseks**, toimub tavaliselt temperatuuril 82–125 °C / 180–257 °F. Kuumsuitsutamine toimib kõige paremini siis, kui on vaja pikemat küpsetusaega, näiteks suurte liha-, kala- või linnulihatükkide korral.

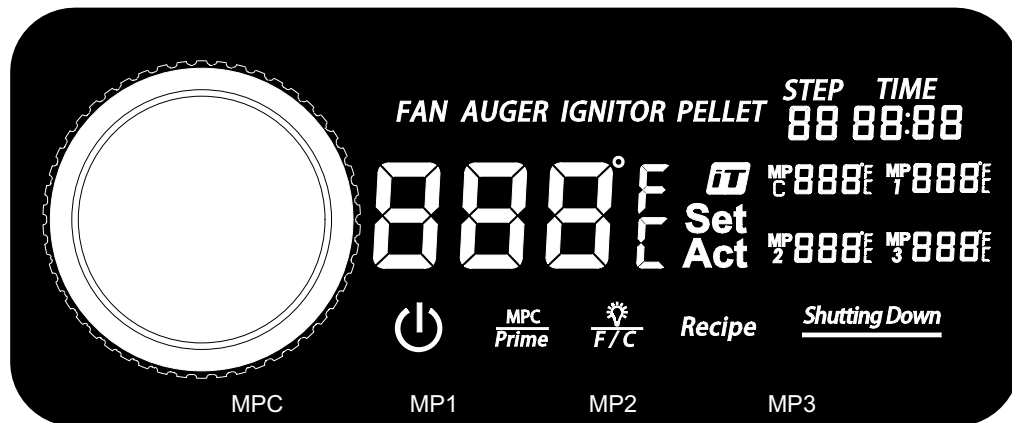
NÄPUNÄIDE. Hõrgu maitse tugevdamiseks lülitage sisse madal temperatuurivahemik kohe, kui olete toidu grilli asetanud. See võimaldab suitsul läbi liha tungida.

Kõige tähtsam on katsetada suitsutamise kestust enne roa valmimist. Mõned välikokad eelistavad suitsutada küpsetamise lõpus, mis aitab toitu serveerimiseni soojana hoida. Harjutamine teeb meistriks!

JUHTPANEELI KIRJELDUS

See PID-kontrolleriga (proportsionaal-integraal-diferentsiaalregulaator) digitaalne juhtpaneel töötab põhimõtteliselt samamoodi nagu teie köögiahju oma. Peamine eelis on eri temperatuuride ja kütusetüüpide automaatse kompenseerimise võimalus.

TÄHTIS! Temperatuur igas grillis erineb olulisel määral sõltuvalt asukohast. Isegi koos kalibreeritud instrumendid ei pruugi näidata ühte näitu.



JUHTSEADE	KIRJELDUS
	Seadme sisselülitamiseks vajutage seda nuppu üks kord. See aktiveerib automaatse käivitustsükli. Seadme väljalülitamiseks ja automaatse jahutustsükli aktiveerimiseks vajutage ja hoidke seda nuppu kolm sekundit. Kui toide on ühendatud ja seade sisse lülitatud, põleb nupul pidev valge märgutuli.
	Smoke iT® ikoon tähistab ühendust Wi-Fi-võrguga. Wi-Fi- või Bluetooth®-ühenduse kaudu ühenduse otsimise ajal vilgub Smoke iT® ikoon. Kui Wi-Fi-ühendus on loodud, lõpetab Smoke iT® ikoon vilkumise ja jääb püsivalt põlema. Kui ühendus on loodud, saate reaalajas teavet grilli tegeliku ja seatud temperatuuri, küpsetusaja ning lihaanduri temperatuuride kohta. Samuti saate reguleerida juhtpaneeli sätteid.
	Sellel nupul on kaks funktsiooni: temperatuuriühikute vahetamine ja valgustus. <ol style="list-style-type: none"> Vajutage seda nuppu lühidalt, et lülitada grilli trumli valgustus sisse ja välja. Temperatuuriühikute vahetamiseks vajutage ja hoidke seda nuppu kolm sekundit, misjärel muutub temperatuurinäidu ühik. Määrake eelistatud ühik: Celsius (°C) või Fahrenheit (°F). Vaikimisi on seatud Celsiuse (°C) skaala.
	Sellel nupul on kaks funktsiooni: lihaanduri juhtimine (MPC) ja eelkäivitusnupp. <ol style="list-style-type: none"> Selle nupu lühikese vajutuse korral aktiveeritakse programmeeritav lihaandur, mis on esimene lihaanduri pistikupesa (MPC). Programmeeritava lihaanduri temperatuuri seadmiseks kasutage juhtnuppu. Programmeeritava lihaanduri sätete kinnitamiseks ja seadistamise lõpetamiseks vajutage juhtnuppu uuesti. Vajutage ja hoidke seda nuppu kolm sekundit, et aktiveerida tulekoldesse pelletite käsitsi pidevlaadimine. Nupu vabastamise korral pelletite käsitsilaadimine lõpetatakse. Selle abil saab enne trumlikaane avamist lisada koldesse rohkem kütust, mille tulemusena taastub soojus kiiresti. Seda saab kasutada ka suitsutamise ajal, et tugevdada puhast suitsumaitset. See funktsioon on lisatud võistlusgrillijate nõudmisel.



Juhtnappu kasutatakse sätteväärtuse suurendamiseks, vähendamiseks ja valimiseks. Keerake juhtnappu, et valida aeg, temperatuur või avada aktiivne sätete menüü. Valitud väärtuse kinnitamiseks vajutage juhtnappu.

888°F Set Act

Kesknäidul on kuvatud nii tegelik kui ka seatud temperatuur. Tegelikku temperatuuri kuvatakse pidevalt, välja arvatud seatud temperatuuri reguleerimise ajal. Tegelik temperatuur on põhitrumli sisetemperatuur. Tegelikku temperatuuri näit saadakse grilli trumli sees olevalt andurilt (sondilt).

Seatud temperatuuri kuvamiseks vajutage juhtnappu. Seatud temperatuur on aktiivne, kui näit vilgub. Seatud temperatuuri reguleerimiseks keerake vastavalt vajadusele juhtnappu. Pärast soovitud temperatuuri seadmist vajutage seatud temperatuuri kinnitamiseks juhtnappu, seejärel kuvab näit taas tegelikku temperatuuri.

Recipe

Retseptietappide aktiveerimiseks vajutage nappu üks kord. Seadistada saab üheksa retseptietappi. Kasutage iga retseptietapi sätete reguleerimiseks juhtnappu.

STEP
88

Kuvab praeguse retseptietapi.

TIME
88:88

Kuvab retseptietapis seatud aja. Retsepti sätete aktiveerimiseks vajutage retseptinappu. Retseptietappide, mille hulka kuulub ka aeg, vahetamiseks kasutage juhtnappu.

MP
C 888°F

Kuvab programmeeritava lihaanduri, mis on esimene lihaanduri pistikupesaga (MPC), tegelik ja seatud temperatuur. Tegelikku temperatuuri kuvatakse pidevalt, välja arvatud seatud temperatuuri reguleerimise ajal. MPC nappu vajutamise korral vilgub valitud lihaandurinäit ja saab muuta seatud temperatuuri. Kui lihaandurit ei kasutata, eemaldage see ühenduspesast ja seade kuvab koodi „noP“. Ühildub ainult kaubamärgi Pit Boss® grillide lihaanduritega.

MP
T 888°F
MP
2 888°F
MP
3 888°F

Kuvab ühendatud lihaanduri tegelikku temperatuuri. Need kolm lihaandurinäitu vastavad valitud ühenduspesale. Kui lihaandurit ei kasutata, eemaldage see ühenduspesast ja seade kuvab koodi „noP“. Ühildub ainult kaubamärgi Pit Boss® grillide lihaanduritega.

Shutting Down

See näit kuvatakse pärast väljalülitusvaliku tegemist. See tähistab automaatse jahutustsükli käivitumist. Pärast jahutustsükli lõppemist lülitub näit välja.

FAN

Ventilaatori ikoon kuvatakse, kui ventilaator töötab. Kui ventilaatori ikoon vilgub, siis ventilaator ei tööta. Abi saamiseks vt tõrkeotsingu jaotist.

AUGER

Tigukonveieri ikoon kuvatakse tigukonveieri pöörlemise korral. Kui tigukonveieri ikoon vilgub, siis tigukonveier ei tööta. Abi saamiseks vt tõrkeotsingu jaotist.

IGNITOR

Süüteseadme ikoon kuvatakse, kui süüteseadme on kasutuses. Kui süüteseadme ikoon vilgub, siis süüteseadme ei tööta. Abi saamiseks vt tõrkeotsingu jaotist.

PELLET

Kui pelleti ikoon, siis tulekoldes on kustunud tuli või punker on tühi. Abi saamiseks vt tõrkeotsingu jaotist.

EE

EESTI KEEL

JUHTPANEELI FUNKTSIOONID

• GRILLI TEMPERATUURI SEADMINE

Grilli andur mõõdab põhitrumli sisetemperatuuri. Seatud temperatuuri reguleerimise korral mõõdab grilli andur põhitrumli tegelikku sisetemperatuuri ja reguleerib selle seatud temperatuurile.

TÄHTIS! Teie seadme temperatuur oleneb oluliselt välistingimustest, kasutatavate pelletite kvaliteedist, pelletite liigist ja küpsetatava toidu kogusest.

SEATUD TEMPERATUURI SEADISTAMINE/REGULEERIMINE

Grilli jaoks seatud temperatuuri soovitud tasemele reguleerimiseks toimige järgmiselt.

1. Vajutage juhtnuppu. Selle peale hakkab seatud temperatuuri näit vilkuma, mis näitab, et see on aktiivne.
2. Soovitud temperatuuri reguleerimiseks kasutage uuesti juhtnuppu.
3. Pärast soovitud temperatuuri seadmist vajutage seatud temperatuuri kinnitamiseks juhtnuppu, seejärel kuvab näit taas tegeliku temperatuuri.

• PROGRAMMEERITAVA LIHAANDURI KASUTAMINE

Lihaandur mõõdab grillis liha sisetemperatuuri, sarnaselt siseahjuga. Sisestage roostevabast terasest lihaandur liha kõige jämedama osa sisse. Liha sisetemperatuur kuvatakse juhtpaneeli näidikul. Sisestage lihaanduri adapter lihaanduri ühenduspessa kindlasti nii, et see oleks üleni pessa sisestatud. Te tunnete ja kuulete, kui see kohale klõpsatab. Lisaks liha küpsetamisele soovitud temperatuuril seab see grilli temperatuuri automaatselt madalamaks (82 °C / 180 °F), et hoida toit soe kuni selle serveerimiseni. Lihtsalt seadke lihaandur valmis ja jätke kõik muu muretult selle hooleks!

MÄRKUS. Lihasse lihaanduri sisestamisel jälgige, et lihaandur ja lihaanduri juhtmed ei saaks kokku puutuda leegi või liigse kuumusega. See võib lihaandurit kahjustada. Viige üleliigne juhe läbi põhitrumli tagumiste väljalaskevade, läbi põhitrumli ülaosa (grillikaane hinge lähedal) või läbi punkri läheduses paikneva eesmise ava. Kui lihaandurit ei kasutata, eemaldage see ühenduspesast ja pange see punkri käepideme avadesse, et hoida see kaitstuna ja puhtana.

PROGRAMMEERITAVA LIHAANDURI SEADISTAMINE/REGULEERIMINE

Programmeeritava lihaanduri jaoks seatud temperatuuri programmeerimiseks toimige järgmiselt.

1. Vajutage lühidalt MPC nuppu, et aktiveerida programmeeritav lihaandur. Kui see on aktiivne, vilgub programmeeritava lihaanduri temperatuurinäit.
2. Seatud temperatuuri reguleerimiseks kasutage juhtnuppu.
3. Pärast valitud lihaanduri jaoks soovitud temperatuuri seadmist vajutage selle kinnitamiseks ja programmeeritava lihaanduri sätete sulgemiseks uuesti juhtnuppu.

• **RETSEPTI SEADISTAMINE**

Retseptifunktsiooni abil saab kasutaja programmeerida juhtpaneeli jaoks jälgitavad ja automaatselt käivituvad küpsetamisjuhised, mida nimetatakse retseptietappideks. Need küpsetusjuhised on kombinatsioon küpsetustemperatuurist ja ajast. Juhtpaneel võtab toidu küpsetamiseks järjest läbi kõik retseptietapid alates esimesest retseptietapist (01). Kui kõik retseptietapid on läbi võetud, lülitab juhtpaneel grilli automaatselt madalale temperatuurile 82 °C / 180 °F, et toit püsiks soe ja oleks serveerimiseks valmis. Kokku saab programmeerida üheksa retseptietappi.

RETSEPTIETAPI PROGRAMMEERIMINE

Ühe või enama retseptietapi seadistamiseks toimige järgmiselt.

1. Vajutage pikalt retseptinuppu. Selle peale hakkab retseptinupp vilkuma, mis näitab, et retsepti sätted on aktiivsed. Samuti aktiveerib see retseptietapid ja nende aktiivsuse tähistamiseks kuvatakse täht „S”.
 - Retseptietapi valimiseks kasutage juhtnuppu. Alustage esimesest retseptietapist (01).
 - Soovitud retseptietapini jõudmise korral vajutage juhtnuppu, et avada järgmine säte.
 2. Seadke aeg tundides. Ajanäidul hakkavad vilkuma tunnid, mis näitab, et need on valitud.
 - Soovitud tundide valimiseks kasutage juhtnuppu.
 - Soovitud tundideni jõudmise korral vajutage juhtnuppu, et avada järgmine säte.
 3. Seadke aeg minutites. Ajanäidul hakkavad vilkuma minutid, mis näitab, et need on valitud.
 - Soovitud minutite valimiseks kasutage juhtnuppu.
 - Soovitud minutiteni jõudmise korral vajutage juhtnuppu, et avada järgmine säte.
 4. Seadke temperatuur. Keskne temperatuurinäit hakkab vilkuma, mis näitab, et see on valitud.
 - Soovitud temperatuuri valimiseks kasutage juhtnuppu.
 - Soovitud temperatuurini jõudmise korral vajutage pikalt retseptinuppu, et kinnitada asjakohase retseptietapi kõik retseptisätted.
 - Muu retseptietapi seadmiseks vajutage lühidalt retseptinuppu, et valida muu retseptietapp ja programmeerida küpsetamiseks mitu retseptietappi. Korrake ülal kirjeldatud toiminguid vastavalt vajadusele.
- Või
- Retsepti sätete sulgemiseks ja retsepti käivitamiseks vajutage teist korda pikalt retseptinuppu. Retseptinupp lõpetab vilkumise.

MÄRKUS. Seadme sulgemise/väljalülitamise korral lähtestatakse retseptietapid.

RAKENDUSEGA SMOKE IT® ÜHENDUSE LOOMINE

Järgmiste juhiste järgi saate ühendada oma grilli Android™-i või iOS®-i seadmes rakendusega Smoke iT®. Rakendus võimaldab teil mobiilseadmes juhtida ja jälgida grilli ja lihaanduri temperatuuri. Kasutage suurepäraseid eeliseid, mida Smoke IT® mobiiliühendus pakub!

1. Laadige alla rakendus Smoke iT®. Avage rakendus ja lubage seadistamiseks Bluetooth®. Uued kasutajad peavad looma konto ja järgima sisselogimisviipasid.
2. Kui olete Bluetooth®-i levialas (9 m / 30 jalga), tuvastab rakendus Smoke iT® teie grilli automaatselt. Valige grilli mudel. Kui grilli ei kuvata ekraanil, veenduge, et teie seade oleks ühendatud toiteallikaga ja sisse lülitatud.
3. Pange rakenduses oma grilli mudelile nimi (nt Minu suitsuti) ja valige kuva allservas „Connect“ (Loo ühendus). See toiming salvestab teie grilli mudel seadmete menüüsse.
4. Seadmete menüüs klõpsake ühenduse loomiseks grilli mudelit. Seejärel kuvatakse teile juhtpaneeli kuva.
5. Klõpsake paremas ülanurgas sätete valikut (hammasratast), sisestage Wi-Fi sisselogimisteave ja siis klõpsake ühenduse loomiseks kuva allservas asuvat märget. Nüüd kuvatakse seadmete menüüs ikoonid Bluetooth® ja Wi-Fi (pilv), mis näitab, et grill on ühendatud.

Kui kasutate rakendust ning grill on aktiivne ja ühendatud, helendab ekraan eredalt. Kui rakenduse kuva või grill läheb seadmete menüüs tumedaks, kontrollige juhtmeta ühendust või toiteallikat.

PUNKRI EELKÄIVITUS

Neid juhiseid tuleb järgida, kui grill süüdatakse esimest korda ja iga kord, kui pelletid saavad grilli punkris otsa. Tigukonveier tuleb eelkäivitada, et pelletid saaksid liikuda mööda tigukonveierit ja täita etteandesüsteemi. **Eelkäivitamata jätmise korral lülitub süüteseade enne pelletite süütamist tagasi ooterežiimi ja tuld ei süüdata.** Punkri eelkäivitamiseks tehke järgmist.

1. Avage põhitrumli kaas. Eemaldage grilli seest kõik küpsetusosad. Otsige üles põhitrumli põhjas olev tulekolle. Kontrollige tulekollet, et veenduda, et seal poleks ühtki takistust, mis takistaks korralikku süütamist.
2. Ühendage toitejuhe toiteallikaga. Seadme sisselülitamiseks vajutage toitenuppu. Kontrollige järgmist.
 - Kuulake, kas tigukonveier pöörleb. Asetage käsi tulekolde kohale ja kontrollige, kas õhk liigub. Ärge pange kätt ega sõrmi tulekoldesse. See võib põhjustada vigastusi.
 - Umbes ühe minuti pärast peaksite tundma süüteseadme põlemise lõhna ja tundma õhu soojenemist tulekoldes. Süüteseadme ots ei helenda punaselt, kuid läheb väga kuumaks ja põletab. Ärge puutuge süüteseadet.
3. Kui olete kindel, et kõik elektrilised komponendid töötavad korralikult, vajutage ja hoidke toitenuppu kolm sekundit all, et seade välja lülitada.
4. Avage punkri kaas. Veenduge, et punkris ja tigukonveieri etteandesüsteemis poleks võõrkehi. Täitke punker kuivade looduslikust lehtpuupuidust grillimispelletitega.
5. Seadme uuesti sisselülitamiseks vajutage toitenuppu. Grilli käivitustsükli eelseadistatud temperatuur on 176 °C / 350 °F, nii et see hakkab soojenema. Vajutage pikalt eelkäivitusnuppu, kuni näete grilli sees tigukonveieri torust tulnud pelleteid. Kui pelletid hakkavad tulekoldesse kukkuma, vabastage eelkäivitusnupp.
6. Seadme väljalülitamiseks vajutage ja hoidke kolm sekundit all toitenuppu.
7. Paigaldage küpsetusosad tagasi põhitrumlisse. Grill on nüüd kasutusvalmis.

ESIMENE KASUTUSKORD – GRILLI PUHTAKSPÕLETAMINE

Pärast punkri eelkäivitamist ja enne grilliga esimest korda küpsetamist tuleb grill puhtaks põletada. Käivitage grill ja käitage seda temperatuuril üle 176 °C / 350 °F (kinnise kaanega) 30–40 minutit, et grill puhtaks põletada ja võõrainetest vabastada.

AUTOMAATNE KÄIVITAMINE

1. Ühendage toitejuhe maandatud toiteallikaga. Avage põhitrumli kaas. Kontrollige tulekollet, et veenduda, et seal poleks ühtki takistust, mis takistaks korralikku süütamist. Avage punkri kaas. Veenduge, et punkris ja tigukonveieri etteandesüsteemis poleks võõrkehi. Täitke punker kuivade looduslikust lehtpuupuidust grillimispelletitega.
2. Seadme sisselülitamiseks vajutage toitenuppu. See aktiveerib käivitustsükli. Tigukonveieri etteandesüsteem hakkab pöörlema, süüteseade hakkab hõõguma ja ventilaator hakkab tulekollet õhuga varustama. Käivitustsükli ajal hakkab grill suitsu tekitama. Käivitustsükli ajal peab trumli kaas olema avatud. Käivitustsükli korraliku alguse kontrollimiseks kuulake, kas kostab põlemismüinat, ja kontrollike, kas tekib soojust.
3. Pärast tiheda valge suitsu hajumist on käivitustsükkel lõppenud ja saate hakata nautima soovitud temperatuuril grillimist!

GRILLI VÄLJALÜLITAMINE

1. Pärast küpsetamise lõppu jätke põhitrumli kaas suletuks ja vajutage seadme väljalülitamiseks kolm sekundit pikalt toitenuppu. Grill käivitab automaatse jahutustsükli. Tigukonveieri süsteem lõpetab kütuse etteandmise, leek kustub ja ventilaator jätkab töötamist, kuni jahutustsükkel on lõppenud.

KORRASHOID JA HOOLDUS

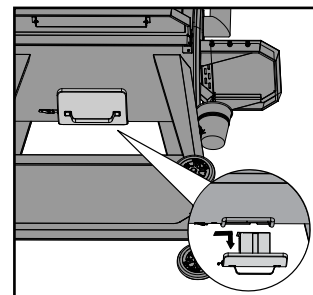
HOIATUS! Enne kui avate grilli ülevaatamiseks, puhastamiseks, korrastamiseks või hooldamiseks, lahutage alati elektrijuhe. Vigastuste vältimiseks veenduge, et grill oleks täiesti jahtunud.

Ettevõtte Pit Boss® mis tahes seade tagab teile paljudeks aastateks maitsvad elamused minimaalse puhastamisega. Grilli hooldamisel järgige järgmisi puhastus- ja hooldusnõuandeid.

1. TUHATÜHJENDUS

- Grilli põhjas asub tuhatühjendusfunktsioon, mille abil saate vajaduse korral hõlpsasti juurdepääsu tulekarbi sisemuse puhastamiseks. Tühjendamiseks vabastage tuhakarbi konksu küljest pannariiv. Hoides kinni käepidemest, libistage tuhakarpi pandlast eemale, seejärel tõmmake see eemaldamiseks alla. Pärast tühjendamist pange tuhakarpi tagasi: tõstke see tagasi grillitrumli põhja, libistage tuhakarpi pandla poole, seejärel kinnitage tuhakarbi konksu pannariiviga.

HOIATUS! Seda funktsiooni tohib kasutada ainult ajal, mil grill on maha jahtunud.



2. PUNKRI KOOST

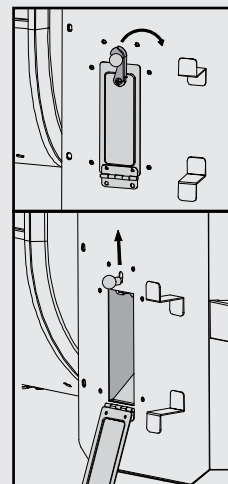
- Pelletid on soovitatav tigukonveieri etteandesüsteemist välja lasta, kui kavatsete grilli pikemat aega mitte kasutada. Selleks laske grillil töötada tühja punkriga, kuni kõik pelletid on tigukonveieri torust väljunud.
- Kontrollige, kas punkri põhjas paiknevas ventilaatori õhusisselaskeavas on prahti, ja eemaldage see. Kui punkri pääsupaneel on eemaldatud (vt skeemi jaotises **Elektriskeem**), pühkige hoolikalt ära otse ventilaatori labadele kogunenud rasv. See tagab etteandesüsteemis piisava õhuvoo.

PUNKRI PUHASTUSFUNKTSIOON

Punkril on puhastusfunktsioon, mis võimaldab hõlpsat puhastamist ja puitpelletikütuse sordi muutmist. Tühjendamiseks tehke järgmist.

- Otsige üles punkri tagaküljel asuv tühjendusluuk ja luugihaak.
- Pöörake luugihaak (üleval) paremale, et see riivivarda tagant lahti tuleks. Asetage tühjendusluugi alla puhas ja tühi ämber ja laske luuk alla. Tõstke riivivarras üles, et avada tühjenduskanali plaat, ja laske pelletid punkrist välja.
- Pärast tühjendamist vajutage tühjenduskanali plaat käega tagasi üles oma kohale. See lukustub oma kohale. Kinnitamiseks sulgege tühjendusluuk ja keerake luugihaak tagasi vabastusriivi vardale.

MÄRKUS. Punkri võrelt liigsete pelletite, saepuru ja prahi täielikuks eemaldamiseks kasutage pika käepidemega harja või töökojatolmuimejat.



3. ANDURID

- Andurijuhtmete sõlmed ja painded võivad põhjustada kahjustusi. Kasutamata lihaandur tuleb rullida suurde lõtva kimpu.
- Kuigi nii grilliandur kui ka lihaandurid on roostevabast terasest, ärge pange neid nõudepesumasinasse ega kastke vette. Sisejuhtmete veekahjustused tekitavad anduris lühise, mis põhjustab valenäitusid. Kahjustatud andur tuleb välja vahetada.

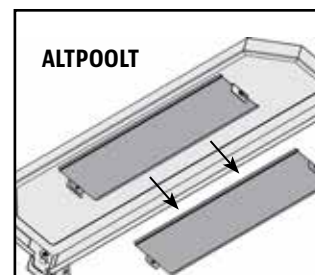
4. SISEPINNAD

- Tulekollet on soovitatav puhastada pärast paari kasutuskorda. See tagab korraliku süütamise ja hoiab ära tulekoldesse kõvenenud prahi või tuha ladestumise.
- Kasutage pika varrega grillipuhastusharja, eemaldage küpsetusrestidelt kõik toidujäägid või ladestused. Heaks tavaks on seda teha siis, kui need on eelmisest küpsetamisest veel soojad. Grilli küpsetusosadele kogunenud praht põhjustab rasvapõlenguid. Puhastage grilli sisemust korrapäraselt. Kui rasv süttib, hoidke grilli kaas tule lämmatamiseks suletuna. Kui tuli ei kustu kiiresti, eemaldage ettevaatlikult toit, lülitage grill välja ja sulgege kaas, kuni tuli on täielikult kustunud. Puistake veidi söögisoodat, kui teil on seda.
- Kontrollige rasvaämbrist sageli ja vajaduse korral puhastage see. Pidage meeles, millist küpsetamismeetodit kasutate.

TÄHTIS! Suure kuumuse tõttu ärge katke leegihajutit ega andureid alumiiniumfooliumiga.

5. VÄLISPINNAD

- Eesmise riuli all on puhastamise hõlbustamiseks eemaldatav paneel. Eemaldamiseks lükake tagaplaati altpoolt põhitrumli poole. Puhastage ja seejärel libistage see tagasi oma kohale.
- Pühkige grill pärast iga kasutuskorda üle. Rasva eemaldamiseks kasutage sooja seebivett. Ärge kasutage grilli välispindadel ahjupuhastusvahendeid, abrasiivseid puhastusvahendeid ega abrasiivseid puhastuslappe. **Ükski värvitud pind ei kuulu garantii alla, vaid need loetakse üldise hoolduse ja korrashoiu osaks.** Värvriimustuste, kulumise või viimistluse koorumise korral võib kõiki värvitud pindu värskendada kõrge temperatuuritaluvusega grillivärviga.
- Täieliku kaitse tagamiseks kasutage oma grillil grillikatteid! Kate on parim kaitse ilmastikumõjude ja väliste saasteainete eest. Kui seadet ei kasutata või pikaajalise hoiustamise korral, hoidke seadet garaazhis või kuuris katte all.



PUHASTUSSAGEDUSE TABEL (TAVAKASUTAMINE)

ÜKSUS	PUHASTUSSAGEDUS	PUHASTUSVIIS
Põhigrilli põhi	Iga 5–6 grillimiskorra järel	Tühjendage, eemaldage töökojatoimuimejaga liigne praht
Tulekolle	Iga 2–3 grillimiskorra järel	Tühjendage, eemaldage töökojatoimuimejaga liigne praht
Küpsetusrestid	Pärast iga grillimiskorda	Pöletage jääkidest puhtaks, harjake messingtraatharjaga
Leegihajuti	Iga 5–6 grillimiskorra järel	Kraapige liuguriga põhiplaati, mitte pesta
Riulid	Pärast iga grillimiskorda	Hõõruge lapi ja seebiveega
Rasvaämber	Pärast iga grillimiskorda	Hõõruge lapi ja seebiveega
Tigukonveieri etteandesüsteem	Pärast pelletikoti tühjenemist	Laske tigukonveieril saepuru välja suruda ja jätta punker tühjaks
Punkri elektriosad	Kord aastas	Puhastage sisemus tolmust, pühkige ventilaatori labad puhtaks seebiveega
Õhu sissevõtuava	Iga 5–6 grillimiskorra järel	Eemaldage tolm, hõõruge lapi ja seebiveega
Grilli andur	Iga 2–3 grillimiskorra järel	Hõõruge lapi ja seebiveega

NÄPUNÄITED JA TEHNIKAD

Grilli paremini tundmaõppimiseks järgige järgmisi kasulikke näpunäiteid ja tehnikaid ettevõtte Pit Boss® omanikelt, meie töötajatelt ning teiesarnastelt klientidelt.

1. TOIDUOHUTUS

- Hoidke köögis ja toiduvalmistamise piirkonnas kõik puhas. Kasutage küpsetatud liha jaoks taldrikuid ja riistu, mida ei ole kasutatud toore liha ettevalmistamiseks või grillile teisdamiseks. See hoiab ära ristsaastumise bakteritega. Igal marinaadil või hautisekastmel peaksid olema oma valmistusriistad.
- Hoidke sooja toitu kuumana (temperatuuril üle 60 °C / 140 °F) ja külma toitu külmana (temperatuuril alla 3 °C / 37 °F).
- Marinaadi ei tohiks kunagi säilitada hilisemaks kasutamiseks. Kui kavatsete seda liha serveerimiseks kasutada, laske see enne serveerimist kindlasti keema.
- Küpsetatud toitu ei tohi hoida soojas üle ühe tunni. Ärge hoidke kuumu toitu jahutamata üle kahe tunni.
- Sulatage ja marineerige liha jahutuses. Ärge sulatage liha toatemperatuuril ega laual. Bakterid võivad soojas niiskes toidus kiiresti kasvada ja paljuneda. Enne söögi ettevalmistamist ning pärast toore liha, kala ja linnuliha käsitlemist peske käed hoolikalt sooja seebiveega.

2. KÜPSETAMISE ETTEVALMISTAMINE

- Valmistage ette ehk **Mise en Place**. See tähendab toiduretsepti, kütuse, tarvikute, riistade ja kõigi koostisosade ettevalmistamist, mida vajate grilli juures enne küpsetamise algust. Enne grilli süütamist lugege algusest lõpuni läbi ka kogu retsept.
- Väga kasulik on grillimise pörandamatt. Toidukäitlemisõnnetuste ja küpsetuspritsmete korral kaitseks grillimise pörandamatt terrassi, siseõue või kiviplatvormi rasvaplekkide ja toiduainete juhusliku mahamineku eest.

3. GRILLIMISNIPID JA -TEHNIKAD

- Kui soovite anda lihale rohkem suitsumaitset, küpsetage seda kauem ja madalamal temperatuuril (nimetatakse ka **madal tulel ja aeglaseks** küpsetamiseks). Lihapoorid sulguvad sisetemperatuuril 49 °C / 120 °F. Niisutamine või määrimine on suurepärased viisid liha kuivamise vältimiseks.
- Pruunistage liha suletud kaanega. Küpsetamisel kasutage toidu sisetemperatuuri mõõtmiseks alati lihatermomeetrit. Toitude suitsutamine lehtpuupelletitega muudab liha ja linnuliha roosaks. Roosat riba (pärast küpsetamist) nimetatakse **suitsurõngaks**, mida välikokad hindavad kõrgelt.
- Suhkrupõhiseid kastmeid on kõige parem kasutada küpsetamise lõpus, et vältida põlemist ja leegitsemist.
- Nõuetekohase soojusvoo tagamiseks jätke toidu ja trumli osade vahele vaba ruumi. Kui grillil on palju toitu, kulub toidu küpsemiseks rohkem aega.
- Liha pööramiseks kasutage pika varrega tangide komplekti ning burgerite ja kalade pööramiseks spaatlit. Kui kasutate terava otsaga riista, näiteks kahvlit, torkab see liha läbi ja lihamahlad voolavad välja.
- Toiduvalmistamine sügavas potis vajab rohkem aega kui madalal küpsetuspannil.
- Küpsetatud toit on mõistlik panna soojendatud taldrikule, mis hoiab toidu soojana. Punasele lihale, näiteks steigile ja veisepraele, tuleb kasuks lasta sellel enne serveerimist mõned minutid seista. See võimaldab kuumusega pinnale tõusnud mahladel liikuda tagasi liha keskele, mis parandab liha maitset.

TÖRKEOTSING

Tavalisi kasutusprobleeme hoiavad ära puhta, kuiva ja kvaliteetse kütuse kasutamine ning korralik puhastamine ja hooldamine. Kui ettevõtte Pit Boss® grill töötab halvasti või kasutate seda harva, võib kasu olla järgmistest tõrkeotsinguvõtetest. Korduma kippuvaid küsimusi (KKK) lugege veebilehelt www.pitboss-grills.com. Abi saamiseks saate pöörduda ka ettevõtte Pit Boss® volitatud kohaliku edasimüüja poole või võtta ühendust klienditeenindusega.

HOIATUS! Enne kui avate grilli ülevaatamiseks, puhastamiseks, korrastamiseks või hooldamiseks, eemaldage alati elektritoitekaabel. Vigastuste vältimiseks veenduge, et grill oleks täiesti jahtunud.

PROBLEEM	PÕHJUS	LAHENDUS
Juhtpaneelil ei põle märgutuled	Puudub ühendus toiteallikaga	Kontrollige, kas seade on ühendatud töötava toiteallikaga. Lähtestage kaitselüliti. Veenduge, et rikkevoolukaitsme töövool on vähemalt 10 A (elektriosadele ligipääsu kohta vt Elektriskeemi) Veenduge, et kõik elektriühendused oleksid kindlalt ühendatud ja kuivad.
	Juhtpaneeli sulavkaitse on läbi põlenud	Eemaldage punkri pääsupaneel (vt skeemi jaotisest Elektriskeem), vajutage juhtpaneeli paigal hoidvaid plastsakke ja kontrolleri vabastamiseks tõmmake kontrolleri ettevaatlikult punkri sisse. Kontrollige kaitset ja vaadake, kas traat on katki või mustaks värvunud. Kui jah, tuleb kaitse käsitsi välja vahetada.
	Vigane juhtpaneel	Juhtpaneel tuleb asendada. Varuosa saamiseks pöörduge klienditeeninduse poole.
Tulekoldes ei sütti tuli	Tigukonveierit pole eelkäivitatud	Enne seadme esmakordset kasutamist või iga kord, kui punker on täiesti tühjenenud, tuleb tigukonveier eelkäivitada, et puitpelletid saaksid tigukonveieri toru täita. Eelkäivitamata jätmise korral lülitub süüteseade enne pelletite tulekoldesse jõudmist tagasi ooterežiimi. Järgige jaotist Punkri eelkäivitus .
	Tigukonveieri mootor on kinni kiilunud	Eemaldage põhitrumlis küpsetusosad. Seadme sisselülitamiseks vajutage toitenuppu ja vaadake üle tigukonveieri etteandesüsteem. Vaadake, kas tigukonveier langetab tulekoldesse pelletideid. Kui see ei tööta korralikult, helistage abi saamiseks või varuosa tellimiseks klienditeenindusse.
	Süüteseade ei tööta	Eemaldage põhitrumlis küpsetusosad. Seadme sisselülitamiseks vajutage toitenuppu ja vaadake süüteseade üle. Veenduge visuaalselt süüteseade töös, asetades käe tulekolde kohale ja tunnetades kuumust. Veenduge visuaalselt, et süüteseade ulatuks tulekoldesse umbes 13 mm / 0,5 tolli. Kui see ei tööta korralikult, helistage abi saamiseks või varuosa tellimiseks klienditeenindusse.
Tegelik temperatuuri näit ei muutu	Grilli andur on määrdunud	Järgige jaotise Korrashoid ja hooldus juhiseid.
	Grilli andur on katki	Grilli andur tuleb asendada. Võtke ühendust klienditeenindusega.
Grill ei saavuta või ei säilita stabiilset temperatuuri	Ebapiisav õhuvool tulekoldes	Kontrollige, kas tulekoldesse on kogunenud tuhka või takistusi. Kogunenud tuha korral järgige jaotise Korrashoid ja hooldus juhiseid. Kontrollige ventilaatorit. Kontrollige, kas see töötab korralikult ja kas õhu sisselaskeava on blokeeritud. Kogunenud mustuse korral järgige jaotise Korrashoid ja hooldus juhiseid. Kontrollige tigukonveieri mootorit, et veenduda mootori töös, ja veenduge, et tigukonveieri toru ei oleks ummistunud. Pärast kõiki ülaltoodud toiminguid käivitage grill, seadke temperatuur režiimi SUITS ja oodake 10 minutit. Kontrollige, kas tekkinud leek on erk ja elujõuline.
	Kütuse puudumine, halb kütusekvaliteet, takistus etteandesüsteemis	Kontrollige, kas punkris on piisavalt kütust, ja lisage kütust, kui seda on vähe. Kui puitpelletite kvaliteet on halb või kui pelletid on liiga pikad, võib see põhjustada etteandesüsteemis takistuse. Eemaldage pelletid ja järgige jaotise Korrashoid ja hooldus juhiseid.
	Grilli andur	Kontrollige grillianduri olekut. Kogunenud mustuse korral järgige jaotise Korrashoid ja hooldus juhiseid. Kahjustuse korral pöörduge varuosa saamiseks klienditeeninduse poole.
Grill tekitab ülemäärast või ebaloomulikku värvi suitsu	Rasva ladestumine	Järgige jaotise Korrashoid ja hooldus juhiseid.
	Puitpelletite kvaliteet	Eemaldage punkrist niisked puitpelletid. Puhastamiseks järgige jaotise Korrashoid ja hooldus juhiseid. Asendage kuivade puitpelletitega.
	Tulekolle on blokeerunud	Puhastage tulekolle niisketest puitpelletitest. Järgige jaotist Punkri eelkäivitus .
	Ventilaatori ebapiisav õhuvastus	Kontrollige ventilaatorit. Kontrollige, kas see töötab korralikult ja kas õhu sisselaskeava on blokeeritud. Kogunenud mustuse korral järgige jaotise Korrashoid ja hooldus juhiseid.

Sagedased leegitsused	Küpsetustemperatuur	Proovige küpsetada madalamal temperatuuril. Rasval ei ole leekpunkti. Hoidke temperatuuri allpool 176 °C / 350 °F, kui küpsetate rasvast toitu.
	Rasva ladestumine küpsetusosadele	Järgige jaotise Korrashoid ja hooldus juhiseid.
ErP tõrkekood	Pärast viimast toitega ühendamist ei lülitatud seadet korralikult välja	Ohutusfunktsioon takistab automaatset taaskäivitamist. Seadme väljalülitamiseks vajutage ja hoidke kolm sekundit all toitenuppu, et seade välja lülitada, oodake kaks minutit ja seejärel vajutage uuesti toitenuppu, et seade sisse lülitada. Seadistage soovitud temperatuur. Kui veakood ikka ilmub, võtke ühendust klienditeenindusega.
	Elektrikatkestus seadme töötamise ajal	
ErH tõrkekood	Seade on ülekuumenenud, tõenäoliselt rasva süttimise või liigse kütuse tõttu	Lülitage seade välja, vajutades ja hoides kolm sekundit all toitenuppu ning laske grillil jahtuda. Järgige jaotises Hooldus ja hooldus toodud juhiseid. Pärast hooldust eemaldage graanulid ja veenduge, et kõik osad on õiges asendis. Pärast jahutamist lülitage seade toitenupu abil sisse ja seejärel valige soovitud temperatuur. Kui veakood ikka ilmub, võtke ühendust klienditeenindusega.
Erl tõrkekood	Grill ei teosta käivitustsüklit	Kontrollige, kas küpsetusosad on õiges kohas. Kontrollige, kas punkris on piisavalt kütust või kas etteandesüsteemis on takistusi. Eemaldage pelletid ja järgige jaotise Korrashoid ja hooldus juhiseid. Kontrollige grilli andurit. Kontrollige, kas tegelik temperatuur on õige ja täpne. Kogunenud mustuse korral järgige jaotise Korrashoid ja hooldus juhiseid. Kontrollige süüteseadme paigutust ja seda, kas see soojeneb korralikult. Väga külma ilma korral tuleb grill mõnikord kaks korda käivitada. Lülitage grill välja, oodake, seejärel lülitage see uuesti sisse. Kontrollige ventilaatorit. Veenduge, et see töötab korralikult. Kogunenud mustuse korral järgige jaotise Korrashoid ja hooldus juhiseid.
	Grill ei jää põlema	
Vilkuva tõrkekoodiga PELLET	Kütuse puudumine, halb kütusekvaliteet, takistus etteandesüsteemis, kinni kiilunud tigukonveier	Kontrollige, kas punkris on piisavalt kütust, ja lisage kütust, kui seda on vähe. Kui puitpelletite kvaliteet on halb või kui pelletid on liiga pikad, võib see põhjustada etteandesüsteemis takistuse. Eemaldage pelletid ja järgige jaotise Korrashoid ja hooldus juhiseid.
Vilkuva tõrkekoodiga IGNITOR	Süüteseade ei tööta korralikult, ei saa ühenduda	Eemaldage põhitruumlist küpsetusosad. Seadme sisselülitamiseks vajutage toitenuppu ja vaadake süüteseade üle. Vaadake, kas süüteseade töötab, ja asetage käsi põletusresti kohale kontrollimaks, kas tunnete soojust. Vaadake, kas süüteseade on joondatud põletusresti avaga ja pelletite süütamiseks avatud. Kui see ei tööta korralikult, helistage abi saamiseks või varuosa tellimiseks klienditeenindusse.
	Süüteseade ei tööta	Süüteseade tuleb asendada. Varuosa saamiseks pöörduge klienditeeninduse poole.
Vilkuva tõrkekoodiga AUGER	Tigukonveierit pole eelkäivitatud	Enne seadme esmakordset kasutamist ja iga kord, kui punker on täiesti tühjenenud, tuleb tigukonveier eelkäivitada, et puitpelletid saaksid tulekolde täita. Kui seda pole eelkäivitatud, kustub süüteseade enne, kui pelletid süttivad. Järgige jaotist Punkri eelkäivitus .
	Tigukonveieri mootor on kinni kiilunud, ei saa ühenduda	Eemaldage põhitruumlist küpsetusosad. Seadme sisselülitamiseks vajutage toitenuppu ja vaadake üle tigukonveieri etteandesüsteem. Vaadake, kas tigukonveier langetab tulekoldesse pelleteid. Kui see ei tööta korralikult, helistage abi saamiseks või varuosa tellimiseks klienditeenindusse.
Vilkuva tõrkekoodiga FAN	Ventilaator ei tööta korralikult, ei saa ühenduda	Kontrollige ventilaatorit. Kontrollige, kas see töötab korralikult ja kas õhu sisselaskeava on blokeeritud. Eemaldage punkri pääsupaneel (vt skeemi jaotises Elektriskeem) ja kontrollige, kas ventilaatori juhtmetel on kahjustusi. Ventilaatori labadele kogunenud mustuse korral järgige jaotise Korrashoid ja hooldus juhiseid.

ELEKTRISKEEM

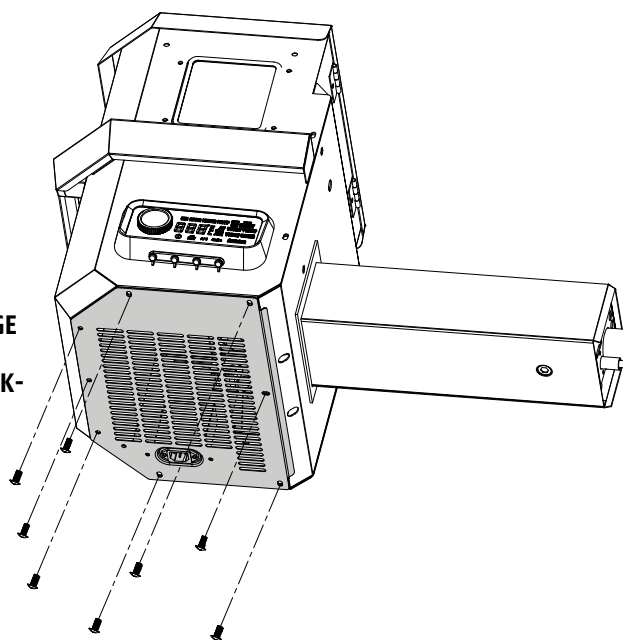
Digitaalne juhtpaneelisüsteem on keeruline ja väärtuslik tehnika. Ülepingete ja lühiste eest kaitsmiseks vaadake allolevat elektriskeemi ja veenduge, et toiteallikas oleks seadme tööks piisav.

PB – ELEKTRINÕUDED

220–240 V, 50 Hz, 275 W, MAANDUSEGA PISTIK

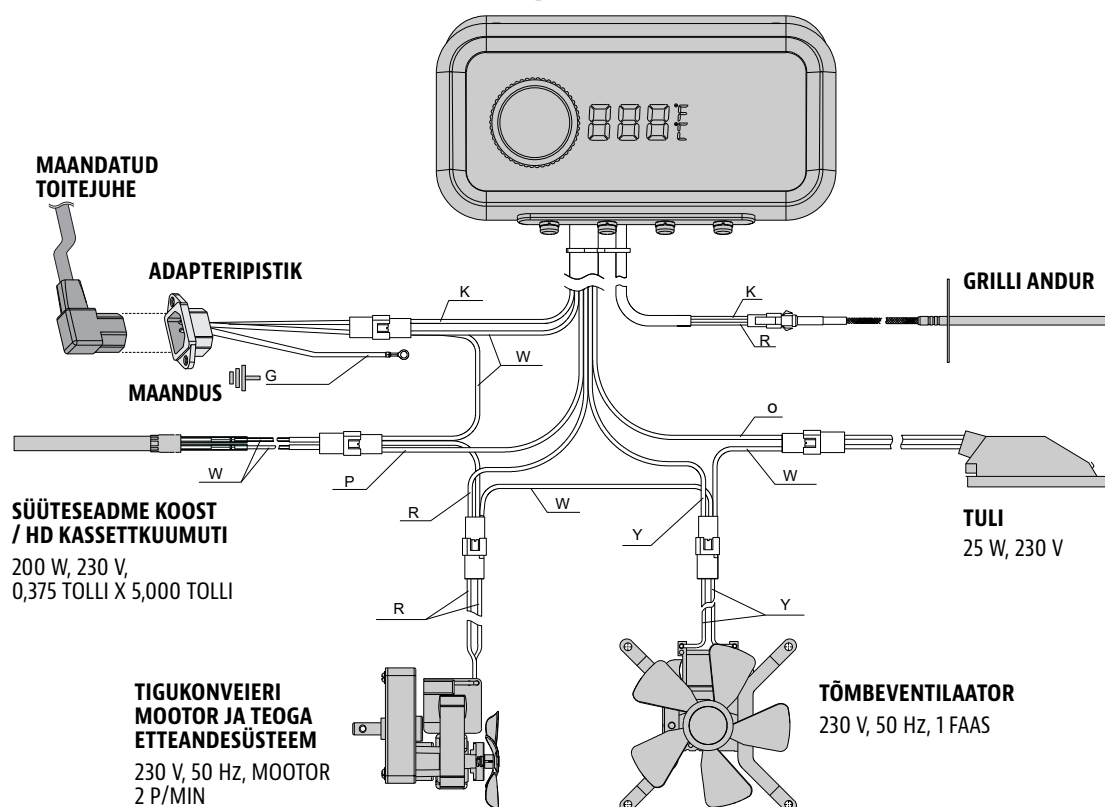
MÄRKUS. Elektriosad, mis on läbinud tooteohutuse katsed ja sertifitseerimise, vastavad katsetaluvusele ± 5–10 protsenti.

LEIDKE JA EEMALDAGE
SEADME ALLKÜLJEL
PÄÄSUPANEELI KAHEK-
SA KRUVI



**KÜTUSE
NIMITARVE:**
2,0 KG/H (4,4
NAELA/H)

JUHTPANEEL

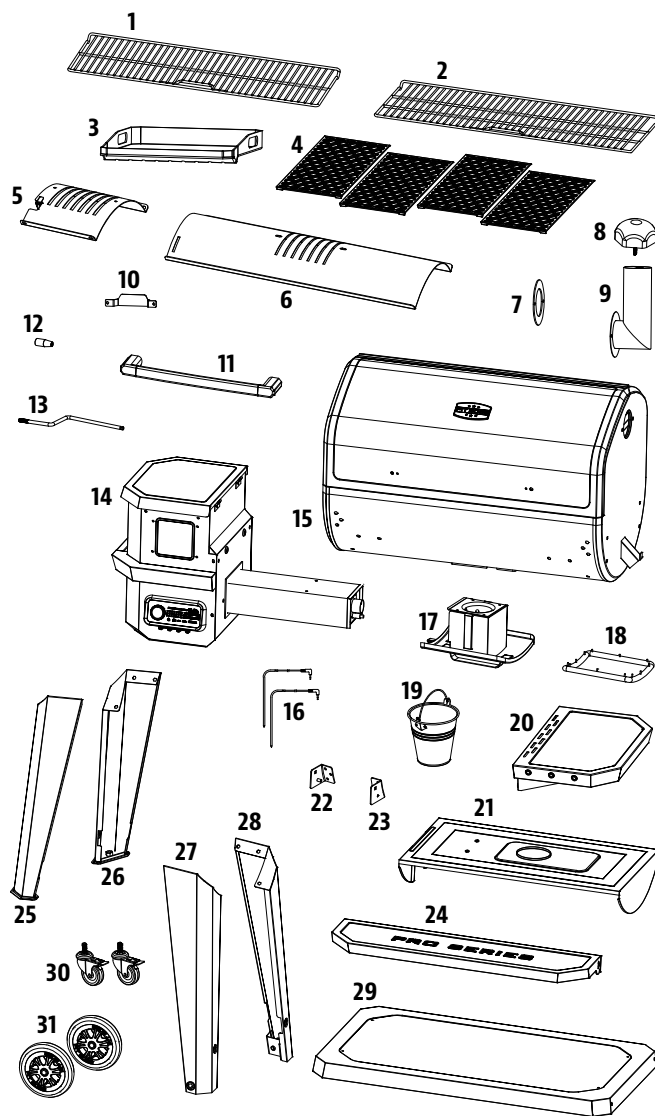


REGISTER

K: MUST
W: VALGE
R: PUNANE
Y: KOLLANE
P: LILLA
O: ORANŽ
G: ROHELINE

GRILLI VARUOSAD

Osa nr	Kirjeldus
1	Ülemine küpsetusraam (1 tk)
2	Keskmine küpsetusraam (1 tk)
3	Küpsetusplaat (1 tk)
4	Küpsetusrestid (4 tk)
5	Leegihajuti liugur (1 tk)
6	Leegihajuti põhiplaat (1 tk)
7	Korstna tihend (1 tk)
8	Korstnamüts (1 tk)
9	Korstnakere (1 tk)
10	Võreriputi (1 tk)
11	Kaane käepide (1 tk)
12	Leegihajuti reguleerimisvarda käepide (1 tk)
13	Leegihajuti reguleerimisvarras (1 tk)
14	Punkri koost (1 tk)
15	Põhitrummel (1 tk)
16	Lihaandur (2 tk)
17	Tuhakarp (1 tk)
18	Tuhakarbi tihend (1 tk)
19	Rasvaämber (1 tk)
20	Külgriiul (1 tk)
21	Hajutiplaat (1 tk)
22	Eesmise riuli klamber / vasak (1 tk)
23	Eesmise riul klamber / parem (1 tk)
24	Eesmine riul (1 tk)
25	Vasak tugijalg - eesmine (1 tk)
26	Vasak tugijalg - tagumine (1 tk)
27	Parem tugijalg - eesmine (1 tk)
28	Parem tugijalg - tagumine (1 tk)
29	Alumine riul (1 tk)
30	Lukustatavad rullikurrattad (2 tk)
31	Ratas (2 tk)
A	Kruvi (28 tk)
B	Seib (24 tk)
C	Lukustusseib (22 tk)
D	Tööriistakonks (3 tk)
E	Ratta splint (2 tk)
F	Ratta seib (2 tk)
G	Rattatelje tihvt (2 tk)
H	Kruvi (2 tk)
I	Mutter (2 tk)
J	Puks (2 tk)

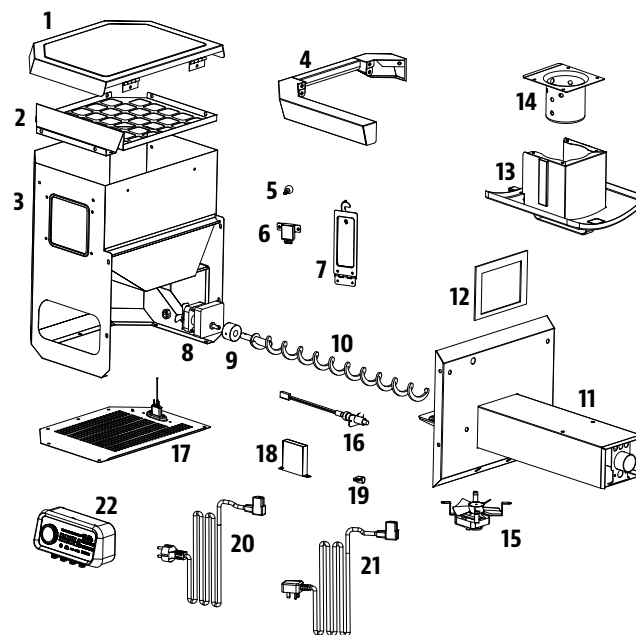


A	D	G	J
B	E	H	
C	F	I	

MÄRKUS. Pideva tootearenduse tõttu võidakse osi muuta ilma ette teatamata.

PUNKRI VARUOSAD

Osa nr	Kirjeldus
1	Punkri kaas (1 tk)
2	Punkri turvavõre (1 tk)
3	Punkrikasti korpus (1 tk)
4	Punkri käepide (1 tk)
5	Väljalaskekanali lukustuspide (1 tk)
6	Väljalaskekanali koost (1 tk)
7	Väljalaskekanali luuk (1 tk)
8	Tigukonveieri mootor (1 tk)
9	Nailonpuks (1 tk)
10	Tigukonveieri keerdkoost (1 tk)
11	Tigukonveieri kastkorpus (1 tk)
12	Punkrikorpuse tihend (1 tk)
13	Tuhakarp (1 tk)
14	Tulekolle (1 tk)
15	Põlemisventilaator (1 tk)
16	Süüteseade (1 tk)
17	Punkri pääsupaneel (1 tk)
18	Toitejuhtme veekindel kate (1 tk)
19	Toitejuhtme klamber (1 tk)
20	Toitejuhe – F-pistik (1 tk)
21	Toitejuhe – G-pistik (1 tk)
22	Juhtpaneel (1 tk)



GARANTII

TINGIMUSED

Kõigil ettevõtte Dansons toodetud puitpelletigrillidel Pit Boss® on piiratud garantii, mis algab kuupäevast, mil algne omanik need müüb. Garantii kehtivus algab ostmise kuupäevast ning garantii kinnitamiseks on vaja ostukuupäeva tõendit või ostukviitungi originaaleksemplari. Kui klient ei suuda ostu tõendada või kui garantii on lõppenud, peab klient tasuma varuosade eest ning katma saate- ja käitlemiskulud. Dansons annab kõigi osade defektidele ja tootmispuudustele viie (5) aasta pikkuse garantii ning elektriosadele viie (5) aasta pikkuse garantii. Dansons annab garantii kõigi osade materjalidefektidele ja tootmispuudustele kogu ajaks, kui seade on originaalostja kasutuses ja omanduses. Garantii ei kata kulumiskahjustusi, näiteks kriimustusi, mülke, killunemisi, koorumisi või väiksemaid kosmeetilisi pragusid. Need muudatused grilli väljanägemises ei mõjuta selle toimimist. Garantii mis tahes osa remondi või asendamise kohta ei kesta üle piiratud viie (5) aasta pikkuse garantiiaja alates ostukuupäevast.

Garantii kehtivusaja jooksul piirdub Dansonsi kohustus defektsete ja/või rikkega osade asendamisega. Garantii perioodi kestel ei võta Dansons tasu ettemakstud saatekuludega tagastatud osade remondi või asendamise eest, kui Dansons leiab kontrollimisel, et osad on defektsed. Dansons ei vastuta transporditasude, tööjõukulude ega eksporditollimaksude eest. Kui nendes garantiitingimustes ei ole sätestatud teisiti, tähendab osade parandamine või asendamine eelnevas nimetatud viisil ja ajavahemikul Dansonsi kõigi otseste ja tulenevate vastutuste ja kohustuste täitmist teie ees.

Dansons võtab tarvitusele kõik ettevaatusabinõud roostetamist aeglustavate materjalide kasutamiseks. Isegi nende kaitsemeetmete võtmise korral võivad kaitsekatteid kahjustada mitmesugused ained ja tingimused, mille üle ettevõttel Dansons puudub kontrolli. Kõrge temperatuur, liigne õhuniiskus, kloor, tööstuslikud aurud, väetised, murupestitsiidid ja sool on mõned ainetest, mis võivad metallkatteid mõjutada. Neil põhjustel ei kata garantii roostetamist ega oksüdeerumist, välja arvatud juhul, kui grilliosa kaotab konstruktsioonilise terviklikkuse. Kui peaks ilmnema mõni ülalnimetatud nähtustest, lugege seadme tööea pikendamiseks korrashoiu- ja hooldusjaotist. Kui grilli ei kasutata, soovib Dansons kasutada grillikatet. See garantii lähtub grilli tavapärasest kodukasutamisest ja hooldamisest ning piiratud garantiikate ei kehti äriotstarbel kasutatava grilli kohta.

ERANDID

Ettevõtte Pit Boss® grillidel pole kirjalikku ega kaudset toimingigarantiid, kuna tootjal pole kontrolli paigaldamise, kasutamise, puhastamise, hoolduse ega põletatava kütuse liigi üle. See garantii ei kehti ja Dansons võta endale vastutust, kui teie seadet pole paigaldatud, käitatud, puhastatud ja hooldatud ranges vastavuses selle kasutusjuhendiga. Mis tahes gaasi kasutamine, mida selles juhendis pole kirjeldatud, võib garantii tühistada. Garantii ei kata kahjustusi ega purunemisi, mis on põhjustatud seadme väärkasutamisest, väärast käsitsemisest või seadmele tehtud muudatustest. Dansons ega ettevõtte Pit Boss® volitatud edasimüüja ei võta endale juriidilist ega muud vastutust selle toote kasutamisest tuleneva vara või inimeste juhusliku või kaudse kahju eest. Olenemata sellest, kas Dansonsi vastu on esitatud nõue selle garantii rikkumise või mõne muu seaduses sätestatud või kaudse garantii rikkumise tõttu, ei vastuta tootja mingil juhul mingit laadi eriliste, kaudsete, tulenevate või muude kahjustuste eest peale selle toote algset ostu. Kõik tootja antud garantiid on esitatud selles dokumendis ja tootja ei aktsepteeri nõudeid ühegi muu garantii või kinnituse alusel. Mõni riik ei luba juhuslike või kaudsete kahjude või kaudsete garantiide piiranguid välistada ega piirata, seega ei pruugi selles piiratud garantiis sätestatud piirangud või välistamised kehtida teie kohta. See piiratud garantii annab teile konkreetseid seaduslikud õigused ja teil võivad olla ka muud õigused, mis on riigiti erinevad.

VARUOSADE TELLIMINE

Varuosade tellimiseks pöörduge ettevõtte Pit Boss® kohaliku edasimüüja poole või külastage meie veebipoodi järgmisel aadressil: www.pitboss-grills.com

KLIENDITEENINDUSEGA ÜHENDUSE VÕTMINE

Kui teil on küsimusi või probleeme, võtke ühendust klienditoega veebisaidil www.pitboss-grills.com

GARANTIITEENINDUS

Remondiks või varuosade saamiseks pöörduge ettevõtte Pit Boss® lähima edasimüüja poole. Dansons nõuab garantiinõude aktsepteerimiseks ostu tõendamist, mistõttu hoidke originaalostukviitung või -arve edaspidiseks kasutamiseks alles. Seadme Pit Boss® seeria- ja mudelinumbri leiате punkri kaane seest. Kirjutage numbrid üles, kuna silt võib kuluda ja muutuda loetamatuks.

MUDEL

SEERIANUMBER

OSTUKUUPÄEV

VOLITATUD EDASIMÜÜJA

DROŠĪBAS INFORMĀCIJA

SADZĪVES IEKĀRTU AIZDEGŠANĀS IZPLATĪTĀKIE IEMESLI IR NEPIENĀCĪGA APKOPE UN NEIEVĒROTS NEPIECIEŠAMĀIS ATSTATUMS LĪDZ UGUNSNEDROŠIEM MATERIĀLIEM. IR ĻOTI SVARĪGI ŠO IZSTRĀDĀJUMU LIETOT TIKAI ATBILSTOŠI TURPMĀK SNIEGTAJIEM NORĀDĪJUMIEM.

Pirms mēģināt samontēt, izmantot vai uzstādīt šo izstrādājumu, lūdzu, izlasiet un izprotiet šo rokasgrāmatu. Tādējādi varat nodrošināt patīkamu jaunā koksnes granulu grila ekspluatāciju bez raizēm. Iesakām arī saglabāt šo rokasgrāmatu turpmākām uzziņām.

APDRAUDĒJUMI UN BRĪDINĀJUMI

Lai saņemtu nepieciešamās atļaujas, uzdevumus vai informāciju par uzstādījuma ierobežojumiem, piemēram, saistībā ar grila uzstādīšanu uz ugunsnedrošas virsmas, pārbaudes prasībām vai pat lietošanas iespēju savā teritorijā, jums ir jāsažinās ar vietējās māju asociācijas, būvniecības vai ugunsdzēsības amatpersonām vai iestādi, kurai ir paredzētā jurisdikcija.

1. Jāievēro minimālais atstatums: 914 mm (36 collas) no ugunsnedrošām konstrukcijām līdz grila malām un 914 mm (36 collas) no grila aizmugures līdz ugunsnedrošām konstrukcijām. **Neuzstādiet ierīci uz grīdām, kas ir ugunsnedrošas vai aizsargātas ar ugunsnedrošām virsmām, ja vien neesat saņēmis attiecīgas atļaujas un apstiprinājumus no atbilstīgajām jurisdikcijas iestādēm.** Nelietojiet šo ierīci iekštelpās, slēgtā vai nevēdinātā zonā, mājokļos, transportlīdzekļos, teltīs un garāžās. Šo koksnes granulu ierīci nedrīkst novietot zem ugunsnedrošiem griestiem vai pārkares. Grilu glabājiet zonā, kurā nav ugunsnedrošu materiālu, benzīna un citu uzliesmojošu izgarojumu un šķidrumu.

Ja aizdegas taukvielas, izslēdziet grilu un atstājiet vāku aizvērtu, līdz uguns ir nodzisis. Atvienojiet strāvas vadu. Nelejiet ūdeni uz ierīces. Nemēģiniet aplāpēt uguni. Lai degšana neizplatītos, izmantojiet visām klasēm (ABC klase) apstiprinātu ugunsdzēsības aparātu. Nekontrolētas degšanas gadījumā zvaniet ugunsdzēsības dienestam.

2. Elektrības vadi un kurināmais jāglabā pietiekamā atstatumā no karstām virsmām. Nelietojiet grilu lietū un ūdens avotu tuvumā. Ja ir bojāts strāvas vads, tas jānomaina ražotājam, tā klientu apkalpošanas pārstāvim vai personām ar līdzīgi kvalifikāciju, lai izvairītos no apdraudējuma.
3. Pēc ilgākas glabāšanas vai nelietošanas pārbaudiet, vai degšanas traukam nav nosprostojušies, vai piltuvtilpnē nav svešķermeņu un vai nav nosprostota gaisa piekļuve ap ventilatora ieeju vai dūmvadu. Pirms lietošanas grils jānotīra. Lai pagarinātu ierīces darbību, jāveic regulāra kopšana un apkope. **Ja lietus vai liela mitruma sezonās grils tiek glabāts ārā, jānodrošina, lai ūdens neiekļūtu piltuvtilpnē.** Ja koksnes granulas samirkst vai tiek pakļautas augsta mitruma līmeņa ietekmei, tās ievērojami izplešas, sadalās un var nosprostot padeves sistēmu. Vienmēr pirms jebkura servisa vai apkopes darba atvienojiet ierīci no strāvas padeves.

Transportēšanas laikā grilu nedrīkst izmantot, un tas nedrīkst būt karsts. Pirms grila pārvietošanas pārliecinieties, vai tas ir pilnībā nodzisis un atdzisis.

4. Strādājot ar grilu, ieteicams izmantot karstumizturīgus grila cimds (dūrainus vai pirkstaiņus). Neizmantojiet piederumus, kas nav norādīti lietošanai ar šo ierīci. Nenovietojiet grila pārsegu vai citus uzliesmojošus priekšmetus glabāšanas vietā zem grila.

5. Lai pirksti, apģērbs vai citi priekšmeti nesaskartos ar vītnes padeves sistēmu, ierīcei ir uzstādīts metāla drošības siets, kas piestiprināts piltuvtilpnes iekšpusē. Šo sietu drīkst noņemt vienīgi tad, ja to ir norādījuši klientu apkalpošanas dienesta darbinieki vai pilnvarots dīleris.

Šo ierīci var lietot bērni no astoņu gadu vecuma un personas ar ierobežotām fiziskām, sensorajām un garīgām spējām vai pieredzes vai atbilstošām zināšanām ierīci var lietot tikai citu cilvēku uzraudzībā vai pēc tam, kad viņi ir apmācīti to izmantot droši un ir apzinājušies iespējamus riskus. Bērni nedrīkst spēlēties ar ierīci. Tīrīšanu un lietotājiem paredzētu apkopi nedrīkst veikt bērni, izņemot gadījumus, kad tas tiek darīts kāda cita cilvēka uzraudzībā.

6. Grila daļas var ļoti sakarst, izraisot nopietnas traumas risku. Ierīces lietošanas laikā tai nedrīkst tuvojies mazi bērni un mājdzīvnieki.
7. Nepalīeliniet degļa caurumus vai degšanas traukus. Šī brīdinājuma neievērošanas iespējamais rezultāts ir aizdegšanās un traumas, kā arī garantijas anulēšana.
8. Izstrādājumam var būt asas malas vai punkti. Pieskaroties iespējamās traumas. Rikojieties piesardzīgi.

ATBRĪVOŠANĀS NO PELNIEM

Pelni jāievieto metāla konteinerā ar stingri aiztaisāmu vāku. Pirms galīgās likvidēšanas aizvērts pelnu konteiners jānovieto uz neuzliesmojošas grīdas vai zemes pietiekamā atstatumā no jebkuriem uzliesmojošiem materiāliem. Ja no pelniem paredzēts atbrīvoties, tos ierokot augsnē vai vietēji izkliepjot, tie jāglabā slēgtā konteinerā, līdz visi izdedži ir pilnīgi atdzisuši.

KOKSNES GRANULU KURINĀMAIS

Šī gatavošanas ierīce, kas izmanto granulas, ir izstrādāta un apstiprināta tikai pilnīgi dabiskam granulētam koksnes kurināmajam. Ja šajā ierīcē tiek dedzināts jebkāds cits kurināmais, garantija un drošības norādījumi vairs nav spēkā. Drīkst izmantot tikai pilnīgi dabiskas koksnes granulas, kas paredzētas dedzināšanai grilu grilos. Neizmantojiet kurināmo ar piedevām. Koksnes granulas ir ļoti uzņēmīgas pret mitrumu un vienmēr jāglabā hermētiski noslēgtā konteinerā. Ja grils tiek ilgstoši glabāts neizmantots, ieteicams iztīrīt visas granulas no grila piltuvtilpnes un vītnes, lai novērstu sastrēgumus. Granulu kurināmā vidējā karstuma vērtība ir 8000–8770 BTU/LB, pelnu saturs <1%.

Iededzināšanai vai degšanas atjaunošanai neizmantojiet spirtu, benzīnu, degvielu, šķiltavu šķidrumu vai petroleju. Šie šķidrumi ierīces lietošanas laikā jāuzglabā pietiekamā atstatumā.

Šī dokumenta drukāšanas laikā nav nozāres standarta, kas attiektos uz grila koksnes granulām, tomēr vairumā granulu ražotņu tiek lietoti vienādi standarti, lai izgatavotu koksnes granulas lietošanai sadzīvē. Papildinformāciju skatiet vietnē www.pelletheat.org vai **Pellet Fuel Institute** informācijā.

Sazinieties ar vietējo dīleri, lai iegūtu informāciju par granulu kvalitāti savā reģionā un par zīmola kvalitāti. Tā kā nav nekādas izmantoto granulu kvalitātes kontroles attiecībā uz mitruma iedarbību, mēs neuzņemamies atbildību par zemas kvalitātes kurināmā izraisītiem kaitējumiem.

KREOZOTS

Kreozots jeb sodrēji ir darvai līdzīga viela. Tam degot, rodas melni dūmi ar pārpalikumiem, kas arī ir melnā krāsā. Sodrēji jeb kreozots veidojas ierīces nepareizas izmantošanas rezultātā, piemēram, ja ir nosprostots degšanas ventilators, nav veikta degšanas zonas tīrīšana un apkope vai tiek izmantots slikts gaisa-kurināmā maisījums.

Šīs ierīces izmantošana ir bīstama, ja liesma kļūst tumša, melnīgnēja vai degšanas trauks ir pārpildīts ar granulām. Ja kreozots aizdegas, uguns ir ārkārtīgi karsta un nekontrolēta, līdzīga taukvielu degšanas ugunij. Šādā gadījumā izslēdziet ierīci, ļaujiet tai pilnīgi atdzist, pēc tam pārbaudiet to apkopes un tīrīšanas nolūkos. Kreozots parasti uzkrājas gar izplūdes zonām.

Ja kreozots ir izveidojies ierīces iekšpusē, ļaujiet ierīcei uzsilt zemā temperatūrā, izslēdziet ierīci un pēc tam noslaukiet visus veidojumus ar roku dvieli. Tāpat kā darvu, to vieglāk ir notīrīt siltu, jo tas kļūst šķidr.

OGLEKĻA MONOKSĪDS ("KLUSAIS SLEPKAVA")

Oglekļa monoksīds ir bezkrāsaina gāze bez aromāta un garšas, tā veidojas gāzes, koka, propāna, kokogļu un cita kurināmā degšanas rezultātā. Oglekļa monoksīds samazina asiņu spēju pārnest skābekli. Ja asinīs ir zems skābekļa līmenis, tas var izraisīt galvassāpes, reiboni, vājumu, nelabumu, vemšanu, miegainību, apmulsumu, bezsamaņu vai nāvi. Ievērojiet šīs norādes, lai šī bezkrāsainā gāze bez aromāta neizraisītu saindēšanos jums, jūsu ģimenei vai citiem cilvēkiem:

- Apmeklējiet ārstu, ja jums vai citiem rodas saaukstēšanās vai gripas veida simptomi ēdiena gatavošanas laikā vai ierīces tuvumā. Saindēšanās ar oglekļa monoksīdu, ko kļūdaini var uzskatīt par saaukstēšanos vai gripu, bieži tiek konstatēta pārāk vēlu.
- Alkohola un narkotisku vielu lietošana pastiprina saindēšanos ar oglekļa monoksīdu iedarbību.

Oglekļa monoksīds ir īpaši indīgs mātei un bērnam grūtniecības laikā, zīdaiņiem, gados vecākiem cilvēkiem, smēķētājiem un cilvēkiem ar asinsrites vai cirkulācijas sistēmas problēmām, piemēram, anēmiju vai sirds slimībām.

DROŠĪBAS NORĀDĪJUMI

Atbilst standartiem EN 60335-2-102:2016, EN 60335-1:2012 + A11:2014 + A13:2017 + A1: 2019 + A14: 2019 + A2: 2019, EN62233: 2008, EN 55014-1:2017, EN IEC 61000-3-2:2019, EN 61000-3-3:2013+A1:2019, EN 55014-2:2015.



FEDERĀLĀS SAKARU KOMISIJAS (FCC) PAZIŅOJUMS PAR ATBILSTĪBU

Šī ierīce atbilst FCC noteikumu 15. daļai. Uz darbību attiecas šādi divi nosacījumi: (1) šī ierīce nedrīkst radīt kaitīgus traucējumus un (2) šai ierīcei ir jāpieņem jebkādi uztvertie traucējumi, tostarp traucējumi, kas var izraisīt nevēlamu darbību.



Šī ierīce ir pārbaudīta, un konstatēts, ka tā atbilst B klases digitālās ierīces ierobežojumiem saskaņā ar FCC noteikumu 15. daļu. Šie ierobežojumi ir izstrādāti, lai nodrošinātu pamatotu aizsardzību pret kaitīgiem traucējumiem dzīvojamās ēkās. Šī ierīce ģenerē, izmanto un var izstarot radiofrekvences enerģiju, un, ja tā netiek uzstādīta un izmantota atbilstoši norādījumiem, tā var radīt kaitīgus traucējumus radio sakariem. Tomēr nav garantijas, ka traucējumi neradīsies konkrētā vietā. Ja šī ierīce rada kaitīgus traucējumus radio vai televīzijas uztveršanai, ko var noteikt, izslēdzot vai ieslēdzot ierīci, lietotājam iesaka mēģināt novērst traucējumus, izpildot vienu vai vairākus no tālāk minētajiem pasākumiem.

- Pagrieziet vai pārvietojiet uztveršanas antenu.
- Palieliniet atstatumu starp ierīci un uztvērēju.
- Pievienojiet ierīci elektrotīklam kontūrā, kam nav pievienots uztvērējs.
- Palīdzībai konsultējieties ar izplatītāju vai pieredzējušu radio/TV tehnisko speciālistu.

Uzmanību! Lietotājs tiek brīdināts, ka izmaiņas vai modifikācijas, kuras nav skaidri apstiprinājusi puse, kas atbilst par atbilstību, var atcelt lietotāja tiesības izmantot ierīci.

Bluetooth® vārdiskā preču zīme un logotips ir Bluetooth® SIG, Inc. reģistrētās preču zīmes, un uzņēmums Espressif šīs zīmes var izmantot tikai saskaņā ar licenci. Citas preču zīmes un tirdzniecības nosaukumi ir attiecīgo īpašnieku preču zīmes un tirdzniecības nosaukumi.



PAZIŅOJUMS PAR AUTORTIESĪBĀM

Autortiesības 2021. Visas tiesības paturētas. Nevienu šīs rokasgrāmatas daļu nedrīkst kopēt, pārsūtīt, ierakstīt vai glabāt izgūšanas sistēmā nekādā veidā un ne ar kādiem līdzekļiem bez tiešas rakstiskas atļaujas no:

DANSONS EIROPA

11 Rue Galvani Parīze, Francija 75017

DANSONS ZIEMEĻAMERIKA

3411 North 5th Avenue, Suite 500, Phoenix, AZ, USA 85013

KLIENTU APKALPOŠANA

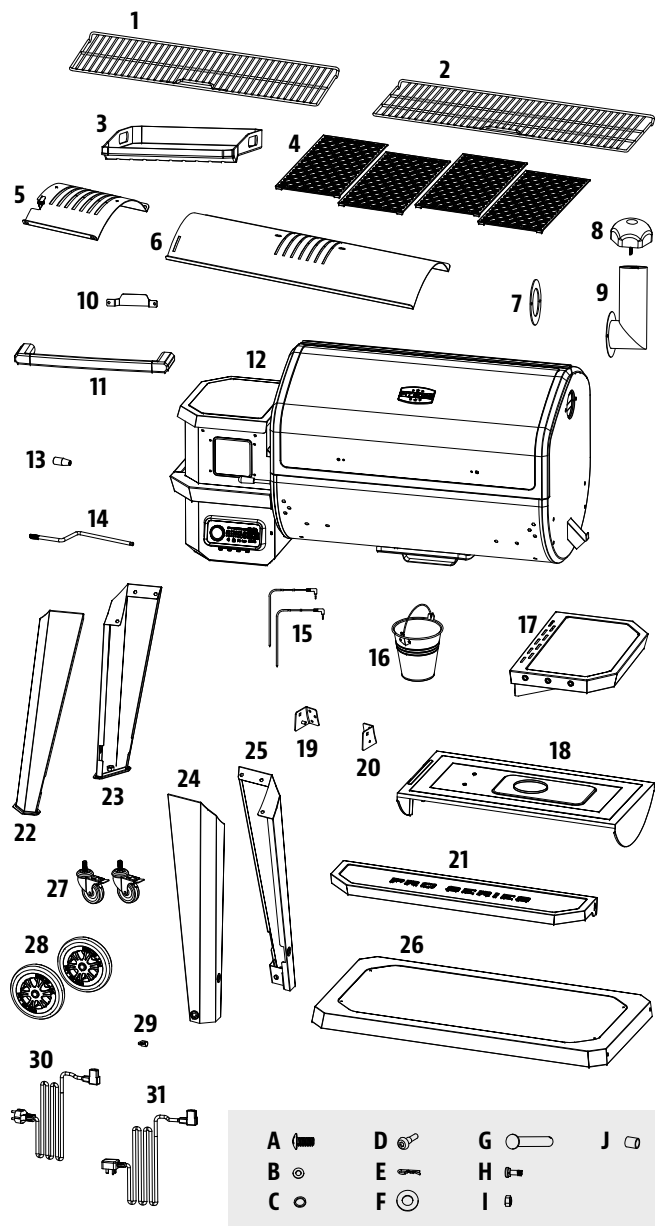
www.pitboss-grills.com

SATURA RĀDĪTĀJS

Drošības informācija.....	310
Daļas un specifikācijas	314
Montāžas sagatavošana.....	315
Montāžas norādes	
Kāju uzstādīšana pie galvenā korpusa	315
Apakšējā plaukta uzstādīšana	316
Riteņu pievienošana ratiņiem	316
vāka roktura uzstādīšana	316
Sānu plaukta salikšana.....	317
Sānu plauktu uzstādīšana	317
Dūmvada nostiprināšana	317
Priekšējā plaukta kronšteinu piestiprināšana	318
Priekšējā plaukta uzstādīšana.....	318
Izkliedētāja plāksnes novietošana	318
Ierīces cepšanai liesmās komponentu uzstādīšana	319
Gatavošanas komponentu uzstādīšana.....	320
Plaukta pakarināmā montāža	320
Taukvielu spaiņa novietošana	320
Strāvas vada uzstādīšana.....	321
Savienošana ar strāvas avotu.....	321
Lietošanas norādījumi	
Grila vide	322
Grila temperatūras diapazoni.....	323
Izpratne par vadības paneli	324
Vadības paneļa funkcijas	325
Savienojuma izveidošana ar Smoke iT® lietotni.....	327
Piltuvtilpnes uzpildīšanas procedūra	328
Pirmā lietošana — grila nodedzināšana.....	328
Automātiskās palaišanas procedūra	328
Grila izslēgšana.....	328
Kopšana un apkope	329
Ieteikumi un metodes.....	331
Problēmu novēršana	332
Elektroinstalācijas shēma.....	334
Rezerves daļas	
Grila daļas nomainībai	335
Piltuvtilpnes daļas nomainībai	336
Garantija.....	337

DAĻAS UN SPECIFIKĀCIJAS

Daļas nr.	Apraksts
1	Augšējais gatavošanas plaukts (1 gab.)
2	Vidējais gatavošanas plaukts (1 gab.)
3	Panna (1 gab.)
4	Gatavošanas režģi (4 gab.)
5	Slidnis cepšanai liesmās (1 gab.)
6	Galvenā plāksne cepšanai liesmās (1 gab.)
7	Dūmvada paplāksne (1 gab.)
8	Dūmvada vāciņš (1 gab.)
9	Dūmvada kopne (1 gab.)
10	Plaukta pakarināmais (1 gab.)
11	vāka rokturis (1 gab.)
12	Galvenais korpuss / piltuvtilpnes montāža (1 gab.)
13	Ierīces cepšanai liesmās regulatora rokturis (1 gab.)
14	Ierīces cepšanai liesmās regulators (1 gab.)
15	Gaļas zonde (2 gab.)
16	Taukvielu spainis (1 gab.)
17	Sānu plaukts (1 gab.)
18	Izkliedētāja plāksne (1 gab.)
19	Priekšējā plaukta kronšteins — kreisais (1 gab.)
20	Priekšējā plaukta kronšteins — labais (1 gab.)
21	Priekšējais plaukts (1 gab.)
22	Kreisā atbalsta kāja — priekšpuse (1 gab.)
23	Kreisā atbalsta kāja — aizmugure (1 gab.)
24	Labā atbalsta kāja — priekšpuse (1 gab.)
25	Labā atbalsta kāja — aizmugure (1 gab.)
26	Apakšējais plaukts (1 gab.)
27	Riteņi ar bloķētāju (2 gab.)
28	Riteņi (2 gab.)
29	Strāvas vada saspraude (1 gab.)
30	Strāvas vads — F kontaktdakša (1 gab.)
31	Strāvas vads — G kontaktdakša (1 gab.)
A	Skrūves (28 gab.)
B	Paplāksnes (24 gab.)
C	Fiksācijas paplāksnes (22 gab.)
D	Piederumu āķi (3 gab.)
E	Riteņa šķelttapas (2 gab.)
F	Riteņa paplāksnes (2 gab.)
G	Riteņa ass tapas (2 gab.)
H	Skrūves (2 gab.)
I	Uzgriežņi (2 gab.)
J	Bukses (2 gab.)



PIEZĪME: tā kā notiek pastāvīga izstrādājumu attīstība, daļām var tikt veiktas izmaiņas bez iepriekšēja paziņojuma. Ja, montējot ierīci, kādas daļas trūkst, sazinieties ar klientu apkalpošanas dienestu.

PB — ELEKTRĪBAS PRASĪBAS
220-240 V, 50 Hz, 275 W, IEZEMĒTA KONTAKTDAKŠA

MODELIS	SAMONTĒTA IERĪCE (P x Dz x A)	SVARS	GATAVOŠANAS ZONA	TEMPERĀTŪRAS DIAPAZONS
PB PB1600PS1	1587,5 MM x 813,5 MM x 1400 MM / 62,50 x 32,03 x 55,12 COLLAS	110,0 KG / 242,5 MĀRC.	AUGŠĒJAIS PLAUKTS — 2474,8 CM ² /383,6 KVADRĀTCOLLAS VIDĒJĀ — 3249,6 CM ² / 503,7 KVADRĀTCOLLAS GALVENĀ — 4587,1 CM ² /711,0 KVADRĀTCOLLAS KOPĀ: 10 311,5 CM ² / 1598,3 KVADRĀTCOLLAS	82-260 °C / 180-500 °F

SAGATAVOŠANA MONTĀŽAI

Daļas ir izvietotas visā kartona pārvadāšanas kastē, tostarp zem grila. Pārbaudiet grilu, daļas un metāla izstrādājumu blisteriepakojumu pēc izņemšanas no aizsargkartona pārvadāšanas kastes. Pirms montāžas izņemiet no iepakojuma visus materiālus — gan grilā gan ārpus tā — un pēc tam pārskatiet un pārbaudiet visas daļas atbilstoši daļu sarakstam. Ja kādas daļas trūkst vai tā ir bojāta, nemēģiniet to samontēt. Garantija neattiecas uz bojājumiem, kas radušies pārvadāšanas laikā. Informāciju par daļām lūdziet dilerim vai Pit Boss® klientu apkalpošanas nodaļai.

www.pitboss-grills.com

SVARĪGI: lai atvieglotu uzstādīšanu, būtu noderīgi (bet ne obligāti) to veikt divatā.

Montāžai nepieciešamie instrumenti: skrūvgriezis un līmeņrādis.

Instrumenti nav iekļauti komplektācijā.



MONTĀŽAS NORĀDES

SVARĪGI: ieteicams pirms montāžas sākšanas atbilstoši norādēm pilnībā izlasīt katru darbību. Nepievelciet skrūves līdz galam pirms visu šīm solim nepieciešamo skrūvju uzstādīšanas. Metāla izstrādājumu kombinācija, kas ietver fiksācijas paplāksni un paplāksni, jāuzstāda tā, lai fiksācijas paplāksne atrastos vistuvāk skrūves galvai.

1. KĀJU UZSTĀDĪŠANA PIE GALVENĀ KORPUSA

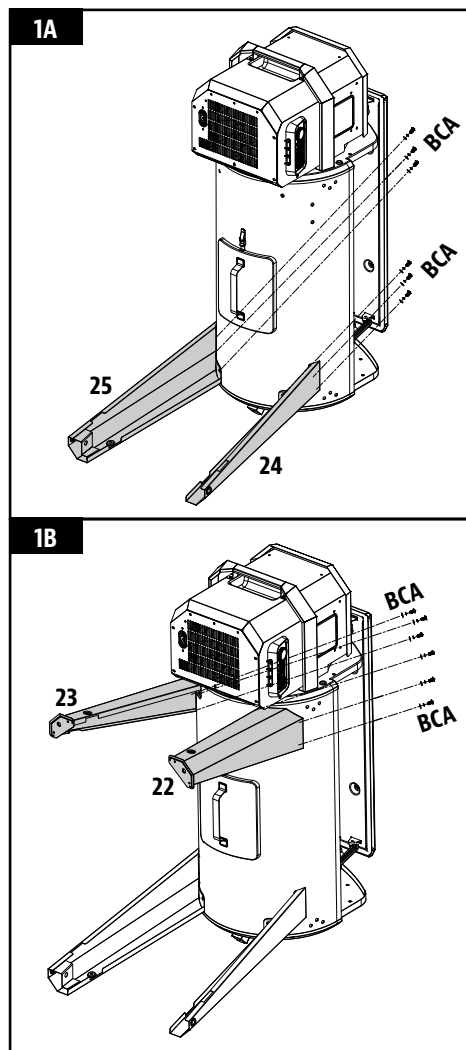
Nepieciešamās daļas

- 1 x galvenais korpuss / piltuvtilpnes montāža (#12)
- 1 x kreisā atbalsta kāja — priekšpuse (#22)
- 1 x kreisā atbalsta kāja — aizmugure (#23)
- 1 x labā atbalsta kāja — priekšpuse (#24)
- 1 x labā atbalsta kāja — aizmugure (#25)
- 12 x skrūves (#A)
- 12 x paplāksnes (#B)
- 12 x fiksācijas paplāksnes (#C)

Uzstādīšana

- Novietojiet uz grīdas kartona gabalu, lai montāžas laikā nesaskrāpētu ierīci un detaļas. Novietojiet uz kartona galveno korpusu (uz sāna) ar augšupvērstu piltuvtilpnes galu.
- Uzstādiet priekšējo labo atbalsta kāju pie galvenā korpusa grīdas gala, izmantojot trīs skrūves, fiksācijas paplāksnes un paplāksnes, caur trijiem iepriekš izurbtiem caurumiem. No galvenā korpusa iekšpuses uzstādiet skrūves. Atkārtojiet uzstādīšanas darbības aizmugurējai labajai atbalsta kājai. Skatiet attēlu 1A.
- Pēc tam uzstādiet priekšējo kreiso atbalsta kāju pie galvenā korpusa piltuvtilpnes, izmantojot trīs skrūves, fiksācijas paplāksnes un paplāksnes, caur trijiem iepriekš izurbtiem caurumiem. No galvenā korpusa iekšpuses uzstādiet skrūves. Atkārtojiet uzstādīšanas darbības aizmugurējai kreisajai atbalsta kājai. Skatiet attēlu 1B.

SVARĪGI: nepievelciet skrūves līdz galam pirms apakšējā plaukta uzstādīšanas nākamajā darbībā.



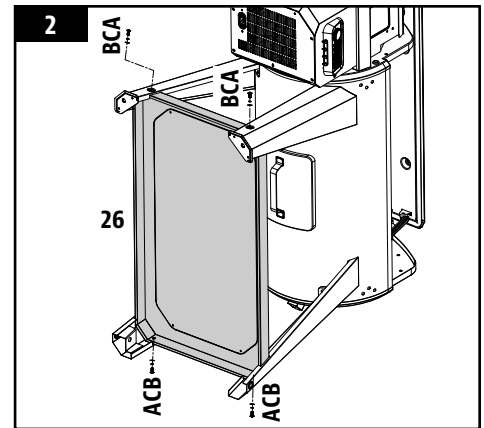
2. APAKŠĒJĀ PLAUKTA UZSTĀDĪŠANA

Nepieciešamās daļas

- 1 x apakšējais plaukts (#26)
- 4 x skrūves (#A)
- 4 x paplāksnes (#B)
- 4 x fiksācijas paplāksnes (#C)

Uzstādīšana

- Uzstādiet apakšējo plauktu pie katras atbalsta kājas ar skrūvi, fiksācijas paplāksni un paplāksni. Pārliecinieties, vai plaukta plakanā virsma ir vērsta uz grila korpusu.



3. RITĒNU PIEVIENOŠANA RATIŅIEM

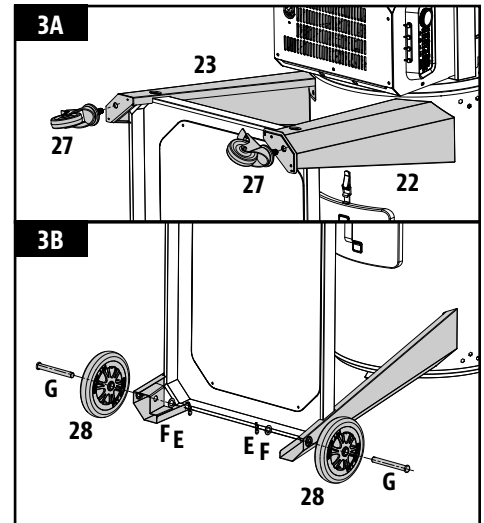
Nepieciešamās daļas

- 2 x ritenīši ar bloķētāju (#27)
- 2 x riteņi (#28)
- 2 x riteņa šķelttapas (#E)
- 2 x riteņa paplāksnes (#F)
- 2 x riteņa ass tapas (#G)

Uzstādīšana

- Ievietojiet katru ritenīti ar bloķētāju kreisās atbalsta kājas apakšdaļā esošajā caurumā un nostipriniet to, pievelkot ar roku. Nodrošiniet, ka katrs ritenītis ar bloķētāju ir ievietots pilnībā. Skatiet attēlu 3A.
- Pievienojiet riteņi pie labās atbalsta kājas, ievietojot riteņa ass tapu caur riteni, pēc tam caur atbalsta kājas caurumu, riteņa paplāksni, visbeidzot nostipriniet ar riteņa šķelttapu. Skatiet attēlu 3B.
- Pēc plaukta nostiprināšanas uzmanīgi paceliet grilu vertikālā pozīcijā.

SVARĪGI: vēlreiz pievelciet atbalsta kāju skrūves, lai garantētu to pilnīgu fiksāciju pēc grila novietošanas vertikālā pozīcijā.



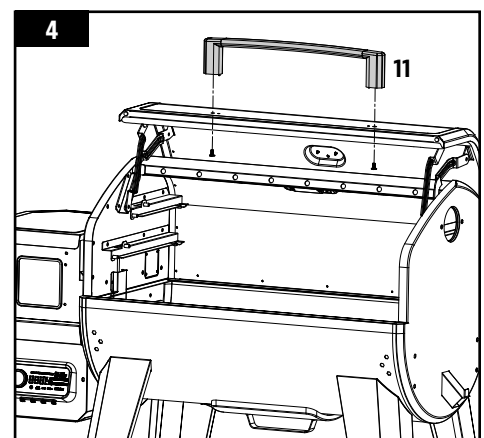
4. VĀKA ROKTURA UZSTĀDĪŠANA

Nepieciešamās daļas

- 1 x vāka rokturis (#11)

Uzstādīšana

- Noņemiet iepriekš uzstādītās skrūves no vāka roktura. No korpusa vāka iekšpuses ievietojiet vienu skrūvi, lai tā izvirzītos uz ārpusi, pēc tam ar roku pievelciet skrūvi (no iekšpuses) vāka rokturī. Atkārtojiet tās pašas darbības vāka roktura otrajā galā.



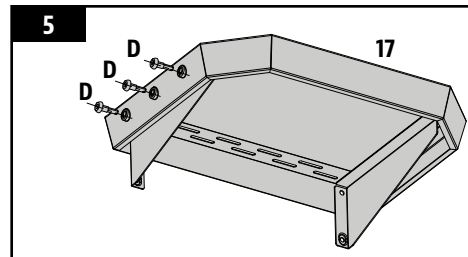
5. SĀNU PLAUKTA SALIKŠANA

Nepieciešamās daļas

- 1 x sānu plaukts (#17)
- 3 x piederumu āķi (#D)

Uzstādīšana

- Apgrieziet sānu plauktu otrādi. Sānu plaukta malā ar trīs atverēm uzstādi piederumu āķus katrā no atverēm gar malu. Piederumu āķi tiek nostiprināti pie uzgriežņiem, kas ir iepriekš uzstādīti iekšpusē.



6. SĀNU PLAUKTU UZSTĀDĪŠANA

Nepieciešamās daļas

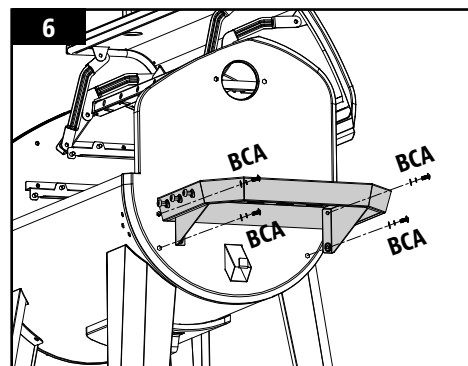
- 4 x skrūves (#A)
- 4 x fiksācijas paplāksnes (#C)
- 4 x paplāksnes (#B)

Uzstādīšana

- No apakšas nostipriniet sānu plauktu pie galvenā korpusa sānu panela, izmantojot četras skrūves, fiksācijas paplāksnes un paplāksnes.

PIEZĪME: nepievelciet skrūves līdz galam pirms visu skrūvju uzstādīšanas. Kad visas skrūves ir uzstādītas, stingri pievelciet tās.

SVARĪGI: nelietojiet plauktus, lai pārvietotu vai paceltu grilu. Ierīces svara dēļ plaukti var lūzt; uz to garantija neattiecas.



7. DŪMVADA NOSTIPRINĀŠANA

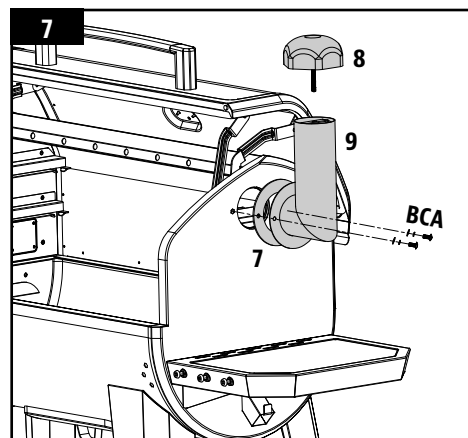
Nepieciešamās daļas

- 1 x dūmvada paplāksne (#7)
- 1 x dūmvada vāciņš (#8)
- 1 x dūmvada kopne (#9)
- 2 x skrūves (#A)
- 2 x fiksācijas paplāksnes (#C)
- 2 x paplāksnes (#B)

Uzstādīšana

- Dūmvada atveri novietojiet galvenā korpusa sātā. No ārpuses ar divām skrūvēm, fiksācijas paplāksnēm un paplāksnēm piestipriniet dūmvada kopni un dūmvada paplāksni pie sānu panela. Skrūve nostiprināsies iepriekš uzstādītā uzgrieznī, kas izvietots korpusa iekšpusē.
- Pēc tam nostipriniet dūmvada vāciņu uz dūmvada kopnes augšdaļas, ieskrūvējot dūmvada vāka skrūvi dūmvada kopnē.

PIEZĪME: pielāgojiet dūmvada vāciņu, lai kontrolētu gaisa plūsmu grila pamatdaļas iekšpusē. Gatavojot ēdienu zemā temperatūrā, atveriet vāku vairāk. Nodrošiniet, ka caur dūmvada vāciņu var izklūt gaiss.



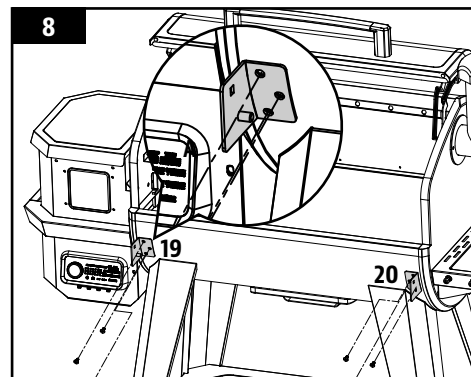
8. PRIEKŠĒJĀ PLAUKTA KRONŠTEINU PIESTIPRINĀŠANA

Nepieciešamās daļas

- 1 x priekšējā plaukta kronšteins — kreisais (#19)
- 1 x priekšējā plaukta kronšteins — labais (#20)
- 6 x skrūves (#A)

Uzstādīšana:

- Ar trim skrūvēm piestipriniet vienu priekšējā plaukta kronšteinu pie grila korpusa priekšpusēs. Ievietojiet katru skrūvi līdz pusei un pēc tam, kad visas trīs skrūves ir ievietotas un pareizi izlīdzinātas, pievelciet līdz galam.
- Atkārtojiet tās pašas uzstādīšanas darbības otram priekšējā plaukta kronšteinam.



9. PRIEKŠĒJĀ PLAUKTA UZSTĀDĪŠANA

Nepieciešamās daļas

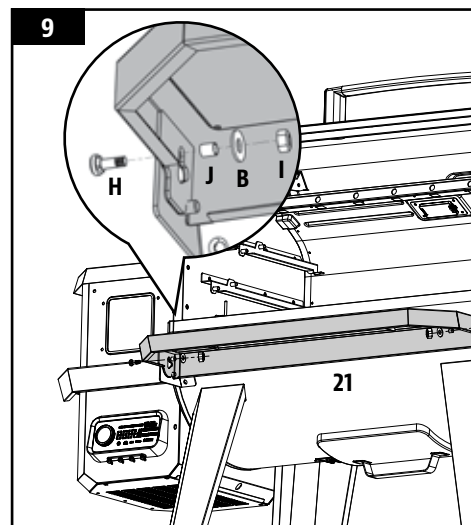
- 1 x priekšējais plaukts (#21)
- 2 x paplāksnes (#B)
- 2 x skrūves (#H)
- 2 x uzgriežņi (#I)
- 2 x bukse (#J)

Uzstādīšana

- No apakšpusēs ievietojiet skrūvi (no ārpuses) priekšējā plaukta kronšteinā un priekšējā plauktā, pēc tam uzlieciet skrūvei buksi, paplāksni un uzgriezni. Atkārtojiet tās pašas uzstādīšanas darbības otrā priekšējā plaukta pusē.

PIEZĪME: ja priekšējais plaukts ir uzstādīts pareizi, to var viegli pacelt (lietošanai) un nolaist (uzglabāšanai).

SVARĪGI: nelietojiet plauktus, lai pārvietotu vai paceltu grilu. Ierīces svara dēļ plaukti var lūzt; uz to garantija neattiecas.



10. IZKLIEDĒTĀJA PLĀKSNES NOVIETOŠANA

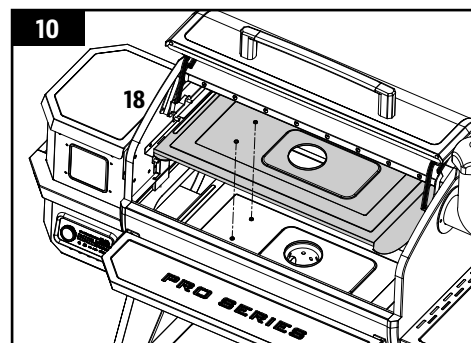
Nepieciešamās daļas

- 1 x izkledētāja plāksne (#18)

Uzstādīšana:

- Ievietojiet izkledētāja plāksni galvenajā korpusā tā, lai centrālā atvere salāgotos tieši ar galvenā korpusa pamatnē esošo apļveida degšanas trauku.

PIEZĪME: izkledētāja plāksne nav jānostiprina.



11. IERĪCES CEPŠANAI LIESMĀS KOMPONENTU UZSTĀDĪŠANA

Nepieciešamās daļas

- 1 x slidnis cepšanai liesmās (#5)
- 1 x galvenā plāksne cepšanai liesmās (#6)
- 1 x ierīces cepšanai liesmās regulatora rokturis (#13)
- 1 x ierīces cepšanai liesmās regulators (#14)

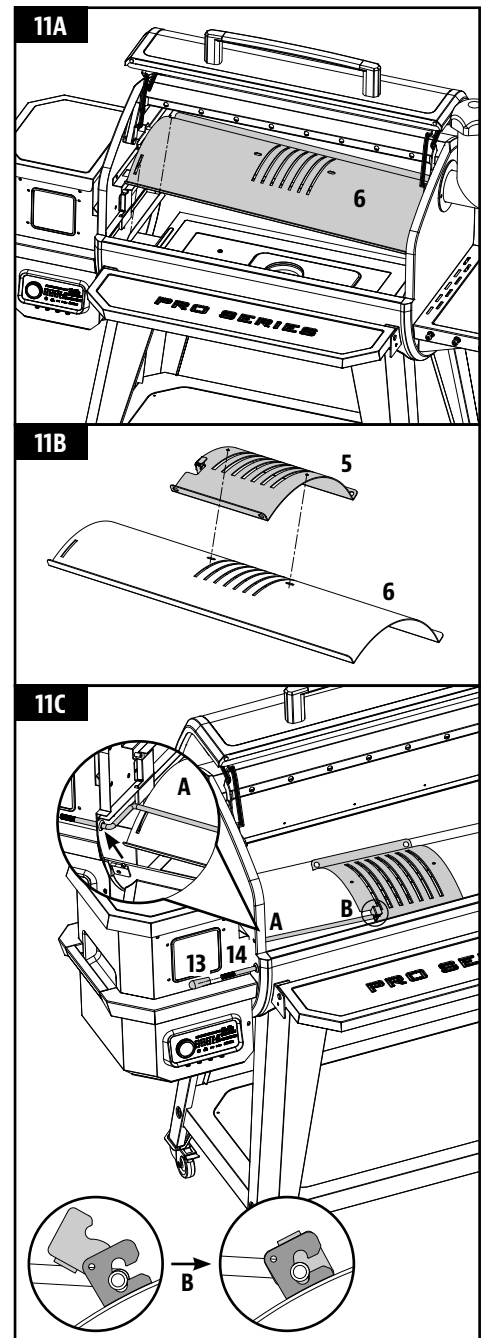
Uzstādīšana:

- Ievietojiet galveno plāksni cepšanai liesmās grila pamatdaļā ar labo pusi pa priekšu. Galveno plāksni cepšanai liesmās atbalstiet pret grila pamatdaļas iebūvēto malu (iekšpusē pa labi), kas novirza taukvielas uz taukvielu spaini. Pabīdīiet visas kopā savienotās daļas pa kreisi, un abas rievas, kas atrodas uz galvenās plāksnes cepšanai liesmās, ieguls noapaļotajā malā virs degšanas trauka. Plāksne ieguls nedaudz lejupvērstā slīpumā. Skatiet attēlu 11A.

SVARĪGI: ja galvenā plāksne cepšanai liesmās atrodas uz korpusa pamatnes, tā ir uzstādīta nepareizi. Galvenajai plāksnei cepšanai liesmās ir jāatrodas leņķī tā, lai kreisā puse būtu augstāk par labo. Ja šīs daļas uzstādīšana ir veikta nepareizi, grila galvenais korpuss var tikt sabojāts.

- Slidni cepšanai liesmās novietojiet uz galvenās plāksnes cepšanai liesmās augšdaļas, nosedzot rievotos atvērumus. Pārlicinieties, vai paceltais izcilnis atrodas kreisajā pusē, lai gatavojot varētu viegli noregulēt tiešu vai netiešu liesmu. Skatiet attēlu 11B. Abas ierīces cepšanai liesmās daļas ir nedaudz pārklātas ar eļļu, lai pārvadāšanas laikā nerūsētu.
- Pēc tam noņemiet ierīces cepšanai liesmās regulatora rokturi no ierīces cepšanai liesmās regulatora. Caur atveri galvenā korpusa kreisajā pusē ievietojiet ierīces cepšanai liesmās regulatoru. Piestipriniet ierīces cepšanai liesmās regulatora rokturi atpakaļ pie korpusa ārējā gala. Pēc tam regulatora ieroboto galu iebīdīet slidņa cepšanai liesmās fiksācijas izcilni, nodrošinot regulējamu piekļuvi slidnim cepšanai liesmās uz galvenās plāksnes. Skatiet darbības attēlā 11C.

PIEZĪME: ja slidnis cepšanai liesmās ir atvērts un tiek izmantota tieša liesma, ne brīdi neatstājiet grilu bez uzraudzības.



12. GATAVOŠANAS KOMPONENTU UZSTĀDĪŠANA

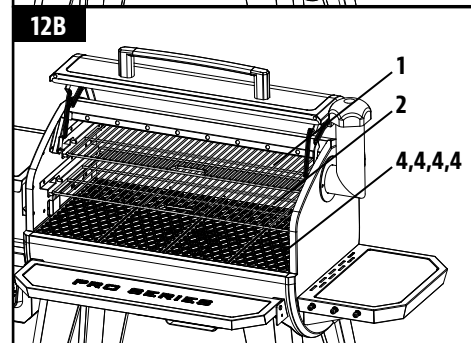
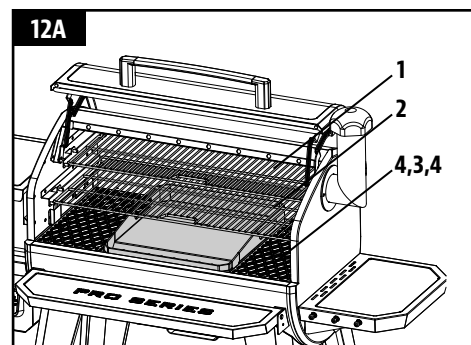
Nepieciešamās daļas

- 1 x augšējais gatavošanas plaukts (#1)
- 1 x vidējais gatavošanas plaukts (#2)
- 1 x panna (#3)
- 4 x gatavošanas režģi (#4)

Uzstādīšana:

- Izvēlieties vajadzīgo galveno gatavošanas virsmu: divus gatavošanas režģus ar pannu (redzams attēlā 12A) vai četrus gatavošanas režģus (redzams attēlā 12B). Novietojiet izvēlēto gatavošanas virsmas kombināciju uz apakšējā režģa malām grila pamatdaļas iekšpusē.
- Pēc tam novietojiet vidējo gatavošanas plauktu uz vidējām malām grila pamatdaļas iekšpusē. Novietojiet augšējo gatavošanas plauktu uz augšējām malām grila pamatdaļas iekšpusē.

PIEZĪME: lai saglabātu gatavošanas režģu un gatavošanas plauktu apcepšanas un grilēšanas sniegumu, jāveic regulāra kopšana un apkope.



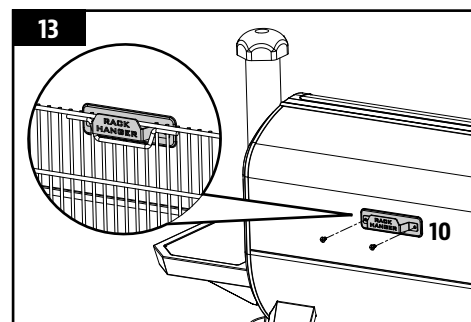
13. PLAUKTA PAKARINĀMĀ MONTĀŽA

Nepieciešamās daļas

- 1 x plaukta pakarināmais (#10)

Uzstādīšana:

- Nostipriniet plaukta pakarināmo pie galvenā korpusa aizmugurējā paneļa, izmantojot iepriekš ievietotās divas skrūves. Gatavošanas plauktus var pakārt uz plaukta pakarināmā, kamēr tos neizmanto.



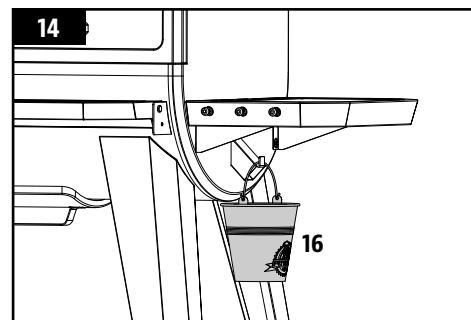
14. TAUKVIELU SPAINĀ NOVIETOŠANA

Nepieciešamās daļas

- 1 x taukvielu spainis (#16)

Uzstādīšana

- Novietojiet taukvielu spaini uz teknes āķa galvenā korpusa galā. Pārliedzieties, vai tas ir novietots taisni, lai izvairītos no taukvielu noplūdēm.
- Tagad ierīce ir pilnībā samontēta.



15. STRĀVAS VADA UZSTĀDĪŠANA

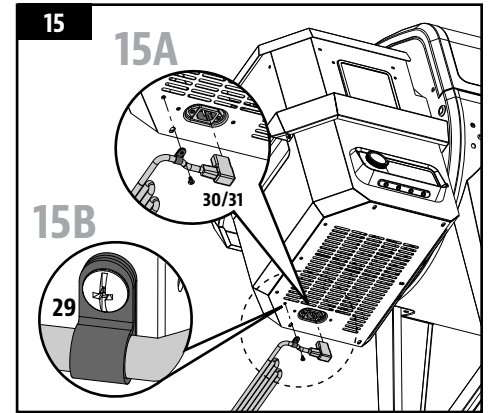
PIEZĪME: tiek piegādāti divi strāvas vadi. Izvēlieties strāvas vadu, kas ir atbilstošs jūsu reģionam.

Nepieciešamās daļas

- 1 x strāvas vada saspraude (#29)
- 1 x strāvas vads (#30 vai #31)

Uzstādīšana

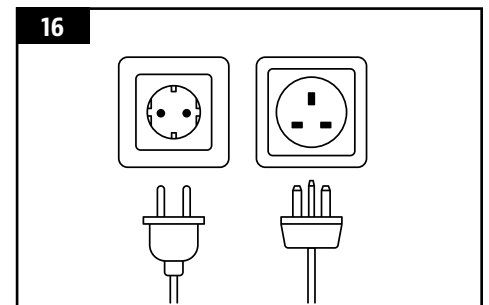
- Uzlieciet strāvas vada saspraudi uz strāvas vada. Pēc tam ievietojiet strāvas vadu gropē, kas atrodas ierīces apakšā. Skatiet attēlu 15A.
- Piestipriniet strāvas vada saspraudi pie apakšējā paneļa, izmantojot iepriekš uzstādītu skrūvi, kā redzams. Skatiet attēlu 15B.



16. SAVIENOŠANA AR STRĀVAS AVOTU

- **STANDARTA LIGZDA**
Šai ierīce ir nepieciešamo 220–240 volti, 50 Hz, 275 W. Tai ir jāizmanto iezemēta kontaktdakša. Pirms lietošanas pārbaudiet, vai iezemētais gals nav nolūzis. Lai aizsargātu paneli no degļa, vadības bloks izmanto ātrdarbīgu 220–240 voltu drošinātāju.

SVARĪGI: kad ierīce netiek lietota, atvienojiet to no strāvas avota.



LIETOŠANAS INSTRUKCIJAS

Līdz ar mūsdienu dzīves stila tendenci uz veselīgu un uzturvielām bagātu pārtiku, viens no svarīgajiem apsveramajiem faktoriem ir mazāka tauku uzņemšana. Viens no labākajiem veidiem, kā uzturā samazināt tauku daudzumu, ir gatavošana ar mazu taukvielu daudzumu, piemēram, grilēšana. Tā kā granulu grilā tiek izmantotas dabīgas koksnes granulas, gaļa gatavošanas laikā uzņem pikanto koka aromātu, samazinot nepieciešamību pēc mērcēm ar augstu cukura saturu. Visā šajā rokasgrāmatā jūs pamanīsiet, ka akcentēta ir ēdiena lēna grilēšana ar ZEMAS vai VIDĒJAS temperatūras iestatījumiem.

GRILA VIDE

1. KUR UZSTĀDĪT GRILU

Kā visām āra ierīcēm, arī jūsu grilam liela nozīme ir āra laika apstākļiem un gatavošanas ilgumam, kāds nepieciešams, lai pagatavotu nevainojamu maltīti.

Visām Pit Boss® ierīcēm ir jānodrošina vismaz 914 mm (36 collu) atstatums no ugunsnedrošām konstrukcijām, un šis atstatums ir jā saglabā visā grila darbības laikā. Šo ierīci nedrīkst novietot zem ugunsnedrošiem griestiem vai pārkares. Grils jāglabā vietā, kurā neatrodas ugunsnedroši materiāli, benzīns un citi uzliesmojoši izgarojumi un šķidrums.

2. GATAVOŠANA AUKSTĀ LAIKĀ

Kaut arī ārā kļūst vēsāks, tas nenozīmē, ka grilēšanas sezona ir beigusies! Spirdzinošais vēsais gaiss un kūpināta ēdiena debsķīgais aromāts palīdzēs aizdzīt ziemas grūtsirdību.

Ievērojiet šos ieteikumus par to, kā izbaudīt grilēšanu vēsākos mēnešos:

- Ja kūpināšana zemā temperatūrā neizdodas, nedaudz paaugstiniet temperatūru, lai sasniegtu tādus pašus rezultātus.
- Organizēšana — pirms došanās ārā sakārtojiet virtuvē visu nepieciešamo. Ziemā pārvietojiet grilu vietā, kur nav vēja un tieša aukstuma. Noskaidrojiet vietējos noteikumus par grila tuvumu jūsu mājām un/vai citām konstrukcijām. Visu nepieciešamo novietojiet uz paplātes, kārtīgi sastipriniet un gatavs!
- Lai labāk sekotu āra temperatūrai, novietojiet āra termometru gatavošanas zonas tuvumā. Atzīmējiet žurnālā vai vēsturē, ko esat gatavojis, āra temperatūru un gatavošanas ilgumu. Tas palīdzēs vēlāk noteikt, ko gatavot un cik ilgs laiks būs nepieciešams.
- Ļoti vēsā laikā palieliniet uzsildīšanas laiku vismaz par 20 minūtēm.
- Neceliet vāku vairāk kā nepieciešams. Aukstas vēja brāzmas var ievērojami pazemināt grila temperatūru. Ēdiena pasniegšanas laikam jābūt elastīgam; pievienojiet papildu gatavošanas laiku ik reizi, kad atverat vāku.
- Sagatavojiet uzsildītu paplāti vai trauka vāku, lai ēdiens neatdzistu, kamēr nonāksiet telpās.
- Ideāli ēdieni gatavošanai ziemā ir tie, kam jāpievērš maz uzmanības, piemēram, cepetis, vesela vista, ribiņas un tītars. Vēl vairāk atvieglotiet maltītes sagatavošanu, pievienojot tādas vienkāršas lietas kā dārzeņus un kartupeļus.

3. GATAVOŠANA KARSTĀ LAIKĀ

Kad ārā kļūst siltāks, gatavošanas laiks saīsinās.

Izbaudiet grilēšanu karstajos mēnešos, ievērojot dažus tālāk minētos ieteikumus.

- Noregulējiet gatavošanas temperatūru uz leju. Tas palīdz izvairīties no nevēlamiem uzliesmojumiem.
- Izmantojiet gaļas termometru, lai noteiktu ēdiena iekšējo temperatūru. Tas palīdz novērst gaļas pārcepšanu un izžūšanu.
- Pat karstā laikā joprojām būtu ieteicams gatavot ar uzliktu grila vāku.
- Ēdienu var uzturēt karstu, to ietinot folijā un ievietojot izolētā dzesētājā. Ap foliju sabāziet saburzītas avīzes, lai ēdienu uzturētu karstu 3–4 stundas.

GRILA TEMPERATŪRAS DIAPAZONI

Temperatūras rādījumi vadības panelī var precīzi neatbilst termometra rādījumam. Visas tālāk norādītās temperatūras ir aptuvenas, un tās ietekmējošie faktori ir āra vides temperatūra, vēja stiprums un virziens, izmantoto granulu kurināmā kvalitāte, vāka atvēršana un gatavotā ēdiena daudzums.

- **AUGSTA TEMPERATŪRA (205–260 °C/401–500 °F)**

Šo diapazonu vislabāk būtu lietot kaltēšanai un grilēšanai lielā karstumā. Izmantojiet grilu kopā ar ierīci cepšanai liesmās (slidošo plāksni) tiešai vai netiešai gatavošanai liesmās. Ja **ierīce cepšanai liesmās ir atvērta**, tiešo liesmu izmanto, lai radītu "zilos" steikus, kā arī apbrūninātus dārzeņus, ķiploku grauzdiņus vai smorus! Ja **ierīce cepšanai liesmās ir aizvērta**, gaiss cirkulē ap korpusu, radot konvekcijas karstumu. Augstu temperatūru izmanto arī grila uzkaršēšanai, gatavošanas režģu nodedzināšanai un liela karstuma sasniegšanai īpaši aukstā laikā.

- **VIDĒJA TEMPERATŪRA (135–180 °C/275–356 °F)**

Šis diapazons ir vislabākais apcepšanai, cepšanai un lēni kūpināta produkta gatavošanas pabeigšanai. Gatavošana šādā temperatūrā ievērojami samazina taukvielu uzliesmošanas iespēju. Pārlicinieties, vai slīdnis cepšanai liesmās ir aizvērta pozīcijā, nosedzot rievotos atvērumus. Lielisks diapazons, lai gatavotu jebko, kas ir ietīts bekonā, vai tad, ja vēlaties daudzpusību ar kontroli.

- **ZEMA TEMPERATŪRA (82–125 °C/180–257 °F)**

Šo diapazonu izmanto lēnai cepšanai, dūmu aromāta palielināšanai un silta ēdiena uzturēšanai. Iepildiet vēl vairāk dūmu aromāta un uzturiet gaļas sulīgumu, gatavojot ilgāk zemākā temperatūrā (to dēvē arī par **zemo un lēno** gatavošanu). Ļoti piemērota temperatūra, lai pagatavotu lielu tītaru Pateicības dienā, sulīgu šķiņķi Lieldienās vai lielu brīvdienu mielastu.

Kūpināšana ir īstas grilēšanas variācija un patiesi galvenā priekšrocība grilēšanai ar koksnes granulu grilu. **Karstā kūpināšana**, kas ir vēl viens nosaukums **zemajai un lēnajai** gatavošanai, parasti notiek 82–125 °C/180–257 °F temperatūrā. Karstā kūpināšana visefektīvākā ir tad, ja nepieciešams ilgāks gatavošanas laiks, piemēram, lieliem gaļas gabaliem, zivīm vai putniem.

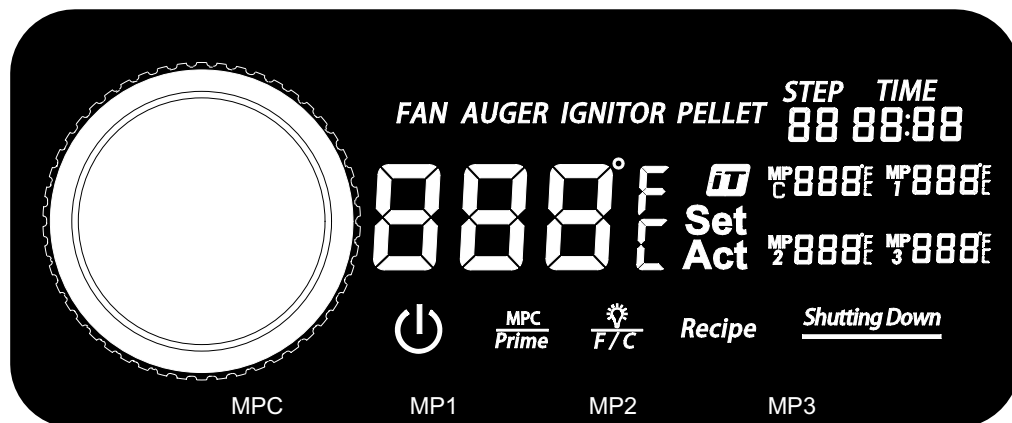
IETEIKUMS: lai pikantais aromāts būtu intensīvāks, pārslēdziet uz zemas temperatūras diapazonu tūlīt pēc ēdiena novietošanas uz grila. Tas ļauj dūmiem piesātināt gaļu.

Vissvarīgāk ir eksperimentēt ar kūpināšanai atvēlēto laiku, pirms ēdiena gatavošana ir pabeigta. Daži šefpavāri, kas specializējas gatavošanai ārpus telpām, izvēlas kūpināt gatavošanas beigās, jo tas ļauj ēdieniu uzturēt siltu līdz pasniegšanai. Pilnību sasniedz praktizējoties!

INFORMĀCIJA PAR VADĪBAS PANELI

Šis P.I.D. (proportional-integral-derivative — proporcionāls, integrēts, atvasināts) digitālais vadības panelis ir ļoti līdzīgs jūsu virtuves krāsns vadības panelim. Tā galvenā priekšrocība ir spēja automātiski kompensēt atšķirīgus apkārtējās vides apstākļus un kurināmā veidus.

SVARĪGI: temperatūra jebkurā grilā katrā atrašanās vietā ievērojami atšķirsies. Pat vienlaikus kalibrētie instrumenti var neatbilst viens otram.



VADĪBA	APRAKSTS
	Nospiediet šo pogu vienreiz, lai ieslēgtu ierīci. Tādējādi tiks uzsākts automātiskās palaišanas cikls. Nospiediet šo pogu un turiet to nospiestu trīs sekundes, lai izslēgtu ierīci, aktivizējot automātiskās atdzišanas ciklu. Kad ierīce tiek pievienota strāvas avotam un ir ieslēgta, poga iedegas baltā krāsā un nepārtraukti deg.
	Smoke iT® ikona norāda uz savienojamību ar Wi-Fi. Meklējot Wi-Fi vai Bluetooth® savienojumu, Smoke iT® ikona mirgo. Kad Wi-Fi savienojums ir izveidots, Smoke iT® ikona deg nepārtraukti. Ja ir izveidots savienojums, varat saņemt reāllaika atjauninājumus par grila faktisko un iestatīto temperatūru, gatavošanas laiku un gaļas zondes temperatūru. Varat arī noregulēt vadības panela iestatījumus.
	Šai pogai ir divas funkcijas: temperatūras vienību slēdzis un apgaismojums. <ol style="list-style-type: none"> Nospiediet šo pogu uz īsu brīdi, lai ieslēgtu un izslēgtu apgaismojumu grila korpusā. Nospiediet šo pogu un turiet to nospiestu trīs sekundes, lai aktivizētu temperatūras vienību slēdzi, mainot temperatūras rādījumu. Pēc izvēles pārslēdziet uz grādiem pēc Fārenheita (°F) vai Celsija (°C). Noklusējuma iestatījums ir Celsija grādi (°C).
	Šai pogai ir divas funkcijas: gaļas zondes vadība (MPS) un uzpildīšanas poga. <ol style="list-style-type: none"> Uz īsu brīdi nospiežot šo pogu, tiek aktivizēta programmējama gaļas zonde, kas ir pirmā gaļas zondes pieslēdzamā pieslēgvietā (MPS). Izmantojiet vadības ierīces pogu, lai iestatītu programmējamās gaļas zondes temperatūru. Vēlreiz nospiediet vadības ierīces pogu, lai apstiprinātu un aizvērtu programmējamās gaļas zondes iestatījumus. Nospiediet šo pogu un turiet to nospiestu trīs sekundes, lai aktivizētu nepārtrauktu granulu padevi degšanas traukam. Atlaižot pogu, tiek apturēta granulu manuālā padeve. To var izmantot, lai pievienotu papildu kurināmo pirms korpusa vāka atvēršanas, paātrinot karstuma atjaunošanu. To var izmantot arī kūpināšanas laikā, lai palielinātu tīrā dūmu aromāta intensitāti. Šo funkciju ir pieprasījuši gatavošanas sacensību dalībnieki.



Vadības ierīces pogu izmanto, lai palielinātu, samazinātu un atlasītu iestatījuma vērtību. Grieziet vadības ierīces pogu, lai aktīvo iestatījumu izvēlnē atlasītu laiku, temperatūru vai darbību. Lai apstiprinātu izvēlēto vērtību, spiediet vadības ierīces pogu.

888°F Set Act

Centrālajā rādījumā var skatīt gan faktisko, gan iestatīto temperatūru. Visu laiku tiek rādīta faktiskā temperatūra, ja vien iestatītā temperatūra netiek pielāgota. Faktiskā temperatūra ir temperatūra no galvenā korpusa iekšpusē. Faktisko temperatūru nolasa grila zonde (sensors), kas atrodas grila korpusa iekšpusē.

Lai rādītu iestatīto temperatūru, nospiediet vadības ierīces pogu. Iestatītā temperatūra ir aktīva, kad rādījums sāk mirgot. Lai pielāgotu iestatīto temperatūru, pēc nepieciešamības grieziet vadības ierīces pogu. Kad ir sasniegta vēlamā iestatītā temperatūra, nospiediet vadības ierīces pogu, lai apstiprinātu iestatīto temperatūru, pēc tam rādījums atgriezīsies uz faktisko temperatūru.

Recipe

Vienreiz nospiediet pogu, lai aktivizētu receptes posmus. Iestatīšanai ir pieejami deviņi receptes posmi. Regulējiet katra receptes posma iestatījumus, izmantojot vadības ierīces pogu.

STEP
88

Rāda pašreizējo receptes posmu.

TIME
88:88

Rāda laika iestatījumu pašreizējā receptes posmā. Nospiediet receptes pogu, lai aktivizētu receptes iestatījumus. Izmantojiet vadības ierīces pogu, lai pārslēgtu receptes posmus — pa vienam.

MP
C 888°F

Parāda programmējamās gaļas zondes faktisko un iestatīto temperatūru, kas ir pirmā gaļas zondes pieslēdzamā pieslēgvietā (MPS). Visu laiku tiek rādīta faktiskā temperatūra, ja vien iestatītā temperatūra netiek pielāgota. Kad tiek nospiesta MPC poga, atlasītais gaļas zondes rādījums mirgo un iestatīto temperatūru var pielāgot. Ja gaļas zonde netiek lietota, atvienojiet to no zondes savienojuma porta, un tiks parādīts kods "noP". Ierīce ir saderīga tikai ar Pit Boss® grilu zīmola gaļas zondēm.

MP
T 888°F
MP
2 888°F
MP
3 888°F

Rāda gaļas zondes faktisko temperatūru. Šie trīs gaļas zondes rādījumi atbildīs atlasītajai pieslēdzamajai savienojuma pieslēgvietai. Ja gaļas zonde netiek lietota, atvienojiet to no zondes savienojuma porta, un tiks parādīts kods "noP". Ierīce ir saderīga tikai ar Pit Boss® grilu zīmola gaļas zondēm.

Shutting Down

Šis rādījums ir redzams pēc tam, kad ir izvēlēta izslēgšana. To norāda, ka ir sācies automātiskās atdzišanas cikls. Kad atdzišanas cikls ir pabeigts, rādījums vairs nav redzams.

FAN

VENTILATORA ikona ir redzama, kad ventilators darbojas. Kad VENTILATORA ikona mirgo, ventilators nedarbojas. Palīdzībai skatiet sadaļu par problēmu novēršanu.

AUGER

VĪTNES ikona ir redzama, kad vītne griežas. Kad VĪTNES ikona mirgo, vītne nedarbojas. Palīdzībai skatiet sadaļu par problēmu novēršanu.

IGNITOR

DEĢĻA ikona ir redzama, kad deglis tiek izmantots. Kad DEĢĻA ikona mirgo, deglis nedarbojas. Palīdzībai skatiet sadaļu par problēmu novēršanu.

PELLET

Kad GRANULU ikona ir redzama, uguns degšanas traukā ir nodzisis vai piltuvtilpne, iespējams, ir tukša. Palīdzībai skatiet sadaļu par problēmu novēršanu.

VADĪBAS PANEĻA FUNKCIJAS

• GRILA TEMPERATŪRAS IESTATĪŠANA

Grila zonde mēra galvenā korpusa iekšējo temperatūru. Ja ir pielāgota iestatītā temperatūra, grila zonde nolasa faktisko temperatūru galvenajā korpusā un to pielāgo vajadzīgajai iestatītajai temperatūrai.

SVARĪGI: ierīces temperatūru ievērojami ietekmē āra laikapstākļi, izmantoto granulu kvalitāte, granulu aromāts un gatavojamā ēdiena daudzums.

IESTATĪTĀS TEMPERATŪRAS IESTATĪŠANA/PIELĀGOŠANA

Lai grilā pielāgotu vajadzīgo iestatīto temperatūru, veiciet tālāk norādītās darbības.

1. Nospiediet vadības ierīces pogu. Iestatītās temperatūras rādījums sāk mirgot, parādot, ka tas ir aktīvs.
2. Lai pielāgotu uz nepieciešamo temperatūru, izmantojiet vadības ierīces pogu.
3. Kad ir sasniegta vēlāmā iestatītā temperatūra, nospiediet vadības ierīces pogu, lai apstiprinātu iestatīto temperatūru, pēc tam rādījums atgriezīsies uz faktisko temperatūru.

• PROGRAMMĒJAMAS GAĻAS ZONDES LIETOŠANA

Gaļas zonde mēra gaļas iekšējo temperatūru grilā līdzīgi iekštelpu cepeškrāsnij. Ievietojiet nerūsējošā tērauda gaļas zondi gaļas biežākajā daļā. Gaļas iekšējā temperatūra ir redzama vadības paneļa rādījumā. Pievienojiet gaļas zondes adapteri gaļas zondes savienojuma pieslēgvietai un nodrošiniet, ka tas ir pilnībā ievietots kontaktdakšā. Tā fiksācija vietā ir sajūtama un sadzirdama. Tas ne tikai pagatavos gaļu līdz izvēlētajai temperatūrai, bet arī automātiski samazinās grila temperatūru (82 °C/180 °F), lai maltīti līdz pasniegšanai saglabātu siltu. Vienkārši iestatiet to un atpūties, kamēr gaļas zonde izdara pārējo!

PIEZĪME: ievietojot gaļas zondi gaļā, nodrošiniet, lai gaļas zondei un tās vadiem nebūtu tiešas saskares ar liesmām vai pārmērīgu karstumu, Tas var bojāt gaļas zondi. Izvadiet lieko vadu ārpus galvenā korpusa aizmugurējiem izvades caurumiem, galvenā korpusa augšdaļas (grila vāka eņģes tuvumā) vai caur priekšējo atveri piltuvtilpnes tuvumā. Ja gaļas zonde netiek lietota, atvienojiet to no gaļas zondes savienojuma pieslēgvietas un glabājiet to atverēs uz piltuvtilpnes roktura, lai to aizsargātu un uzturētu tīru.

PROGRAMMĒJAMAS GAĻAS ZONDES IESTATĪŠANA/PIELĀGOŠANA

Lai programmētu programmējamās gaļas zondes vajadzīgo iestatīto temperatūru, veiciet tālāk norādītās darbības.

1. Uz īsu brīdi nospiediet MPC pogu, lai aktivizētu programmējamu gaļas zondi. Pēc aktivizēšanas gaļas zondes temperatūras rādījums mirgo.
2. Lai pielāgotu uz nepieciešamo iestatīto temperatūru, izmantojiet vadības ierīces pogu.
3. Kad ir sasniegta atlasītās gaļas zondes vēlāmā iestatītā temperatūra, vēlreiz nospiediet vadības ierīces pogu, lai apstiprinātu un aizvērtu programmējamās gaļas zondes iestatījumus.

• RECEPTES IESTATĪŠANA

Izmantojot receptes funkciju, lietotājs var programmēt izpildāmos un automātiski palaižamos gatavošanas norādījumus, kas zināmi kā receptes posmi, vadības panelim. Šie gatavošanas norādījumi ir gatavošanas temperatūras un laika kombinācija. Sākot ar pirmo receptes posmu (01), vadības panelis cikliski izpilda katru receptes posmu, lai pagatavotu maltīti. Kad receptes posmi ir izpildīti, vadības panelis automātiski ieslēdz zemu temperatūru (82 °C/180 °F), lai maltīti līdz pasniegšanai saglabātu siltu. Programmēšanai ir pieejami kopumā deviņi receptes posmi.

RECEPTES POSMA PROGRAMMĒŠANA

Lai iestatītu vienu vai vairākus receptes posmus, veiciet tālāk norādītās darbības.

1. Nospiediet receptes pogu un turiet to nospiestu. Pēc tam receptes poga sāk mirgot, parādot, ka receptes iestatījumi ir aktīvi. Šādi tiek aktivizēti arī receptes posmi, un ir redzams burts "S", parādot, ka posms ir aktīvs.
 - Izmantojiet vadības ierīces pogu, lai atlasītu receptes posmu. Sāciet ar pirmo receptes posmu (01).
 - Kad ir sasniegts vēlamais receptes posms, nospiediet vadības ierīces pogu, lai pārietu pie nākamā iestatījuma.
 2. Iestatiet laika stundas. Laika stundu rādījums sāk mirgot, parādot, ka tas ir atlasīts.
 - Izmantojiet vadības ierīces pogu, lai atlasītu nepieciešamās stundas.
 - Kad ir sasniegtas vēlamās stundas, nospiediet vadības ierīces pogu, lai pārietu pie nākamā iestatījuma.
 3. Iestatiet laika minūtes. Laika minūšu rādījums sāk mirgot, parādot, ka tas ir atlasīts.
 - Izmantojiet vadības ierīces pogu, lai atlasītu nepieciešamās minūtes.
 - Kad ir sasniegtas vēlamās minūtes, nospiediet vadības ierīces pogu, lai pārietu pie nākamā iestatījuma.
 4. Iestatiet temperatūru. Centrālais temperatūras rādījums sāk mirgot, parādot, ka tas ir atlasīts.
 - Izmantojiet vadības ierīces pogu, lai atlasītu nepieciešamo temperatūru.
 - Kad ir sasniegta vēlamā temperatūra, nospiediet receptes pogu un turiet to nospiestu, lai bloķētu visus receptes iestatījumus konkrētajam receptes posmam.
 - Lai iestatītu citu receptes posmu, uz īsu brīdi nospiediet receptes pogu, lai atlasītu citu receptes posmu, programmējamo gatavošanu ar vairākiem receptes posmiem. Pēc nepieciešamības atkārtojiet iepriekš aprakstītās darbības.
- Vai
- Nospiediet un turiet nospiestu receptes pogu otro reizi, lai aizvērtu receptes iestatījumus un palaistu recepti. Receptes poga pārstāj mirgot.

PIEZĪME: receptes posmi tiek atiestatīti, kad ierīce tiek izslēgta.

SAVIENOJUMA IZVEIDOŠANA AR LIETOTNI SMOKE IT®

Izpildiet šīs instrukcijas, kā savienot grilu ar lietotni Smoke IT® jūsu Android™ vai iOS® ierīcē. Lietotne ļauj vadīt un uzraudzīt grila un gaļas zondes temperatūru mobilajā ierīcē. Izmantojiet priekšrocības, ko sniedz Smoke IT® mobilā savienojamība!

1. Lejupielādējiet lietotni Smoke IT®. Atveriet lietotni un iestatīšanai iespējojiet Bluetooth®. Jauniem lietotājiem ir nepieciešams izveidot kontu un izpildīt uzvedņu norādījumus, lai pieteiktos.
2. Ja atrodaties Bluetooth® diapazonā (9 m/30 pēdas), lietotne Smoke IT® automātiski atrod grilu. Atlasiet sava grila modeli. Ja savu grilu ekrānā neredzat, pārbaudiet, vai ierīce ir savienota ar strāvas avotu un ir ieslēgta.
3. Lietotnē piešķiriet grila modelim nosaukumu (piem., "Mans grils") un atlasiet pogu Connect (Savienot) ekrāna apakšdaļā. Tādējādi grila modelis tiek saglabāts ierīču izvēlnē.
4. Ierīču izvēlnē noklikšķiniet uz grila modeļa, lai izveidotu savienojumu. Tiek parādīts vadības paneļa ekrāns.
5. Noklikšķiniet uz iestatījumu opcijas (zobrats) augšējā labajā stūrī, ievadiet Wi-Fi pieteikšanās informāciju un pēc tam noklikšķiniet uz atzīmes ekrāna apakšdaļā, lai izveidotu savienojumu. Tagad ierīču izvēlnē ir redzama gan Bluetooth®, gan Wi-Fi ikona (mākonis), norādot, ka savienojums ar grilu ir izveidots.

Lietotnes izmantošanas laikā, kamēr grils ir aktīvs un savienots, ekrāns ir spilgti izgaismots. Ja lietotnes ekrāns vai grils ierīču izvēlnē aptumšojas, pārbaudiet bezvadu savienojumu vai strāvas avotu.

PILTUVTILPNES UZPILDĪŠANAS PROCEDŪRA

Šie norādījumi ir jāievēro grila pirmajā iededzināšanas reizē un vienmēr, kad grila piltuvtilpnē beidzas granulas. Vītne ir jāuzpilda, lai granulas varētu pārvietoties visā tās garumā un uzpildīt padeves sistēmu. **Ja tas nav uzpildīts, deglim iestāsies taimauts pirms granulu aizdedzināšanas un degšana nesāksies.** Lai uzpildītu piltuvtilpni, veiciet tālāk norādītās darbības.

1. Atveriet galvenā korpusa vāku. Izņemiet visus gatavošanas komponentu no grila iekšpuses. Degšanas trauku novietojiet galvenā korpusa apakšdaļā. Pārbaudiet, vai degšanas traukā nav traucēkļu pareizai aizdedzināšanai.
2. Strāvas vadu pieslēdziet strāvas avotam. Nospiediet barošanas pogu, lai ieslēgtu ierīci. Pārbaudiet tālāk norādītos elementus.
 - Vai ir dzirdama vītnes griešanās. Uzlieciet plaukstu virs degšanas trauka un sajūtieliet gaisa kustību. Nelieciet plaukstu vai pirkstus degšanas traukā. Tas var izraisīt traumu.
 - Apmēram pēc minūtes vajadzētu būt jūtamam degļa degšanas aromātam un gaisa uzsilšanai degšanas traukā. Degļa gals nekvēlo sarkans, bet ārkārtīgi sakarst un deg. Neaizskarīet degli.
3. Pārlicinieties, vai visi elektriskie komponenti darbojas pareizi, un pēc tam nospiediet un trīs sekundes turiet barošanas pogu, lai izslēgtu ierīci.
4. Atveriet piltuvtilpnes vāku. Pārlicinieties, ka piltuvtilpnē vai vītnes padeves sistēmā nav svešķermeņu. Uzpildiet piltuvtilpni ar sausām, pilnīgi dabiskām grila cietkoksnes granulām.
5. Nospiediet barošanas pogu, lai atkal ieslēgtu ierīci. Grila palaides ciklam ir iepriekš iestatīta temperatūra 176 °C / 350 °F, līdz ar to tas sāks uzsilt. Nospiediet un turiet nospiešu uzpildīšanas pogu, līdz redzat granulas grila iekšpusē no vītnes caurules. Kad granulas sāk iekrist degšanas traukā, atlaidiet uzpildīšanas pogu.
6. Nospiediet un trīs sekundes turiet barošanas pogu, lai izslēgtu ierīci.
7. Ievietojiet gatavošanas komponentus galvenajā korpusā. Tagad grils ir gatavs lietošanai.

PIRMĀ LIETOŠANAS REIZE — GRILA NODEDZINĀŠANA

Pēc piltuvtilpnes uzpildīšanas un pirms pirmās gatavošanas ar grilu ir svarīgi veikt grila nodedzināšanu. Ieslēdziet grilu un darbiniet to jebkurā temperatūrā virs 176 °C/350 °F (ar vāku uz leju) 30–40 minūtes, lai grilu nodedzinātu un atbrīvotos no svešķermeņiem.

AUTOMĀTISKĀS PALAIDES PROCEDŪRA

1. Strāvas vadu pieslēdziet iezemētam strāvas avotam. Atveriet galvenā korpusa vāku. Pārbaudiet, vai degšanas traukā nav traucēkļu pareizai aizdedzināšanai. Atveriet piltuvtilpnes vāku. Pārlicinieties, ka piltuvtilpnē vai vītnes padeves sistēmā nav svešķermeņu. Uzpildiet piltuvtilpni ar sausām, pilnīgi dabiskām grila cietkoksnes granulām.
2. Nospiediet barošanas pogu, lai ieslēgtu ierīci. Tādējādi tiks aktivizēts palaides cikls. Sāk griezties vītnes padeves sistēma, iekvēlojas deglis, un ventilators padod gaisu uz degšanas trauku. Kamēr notiek palaides cikls, grils sāk veidot dūmus. Palaides cikla laikā korpusa vākam jāpaliek atvērtam. Lai pārlicinātos, vai cikls ir palaists pareizi, paklausieties degšanas troksni un vērojiet, vai rodas karstums.
3. Kad smagie, baltie dūmi ir izkļiedēti, palaides cikls ir pabeigts un grilu var izmantot nepieciešamajā temperatūrā!

GRILA IZSLĒGŠANA

1. Kad gatavošana ir pabeigta, turiet galvenā korpusa vāku aizvērtu un nospiediet un turiet nospiešu barošanas pogu trīs sekundes, lai izslēgtu ierīci. Tiks sākts automātiskais grila atdzišanas cikls. Vītnes sistēma pārtrauks kurināmā padevi, liesma izdegs, un ventilators turpinās darboties, līdz atdzišanas cikls tiks pabeigts.

KOPŠANA UN APKOPE

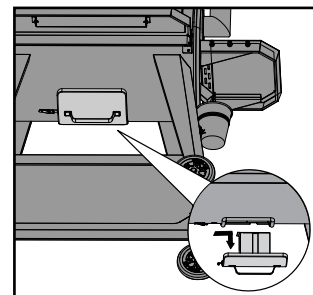
BRĪDINĀJUMS: pirms grila atvēršanas pārbaudes, tīrīšanas, apkopes vai servisa darbu nolūkos vienmēr atvienojiet strāvas vadu. Lai negūtu traumas, pārliecieties, vai grils ir pilnīgi atdzisis.

Jebkura Pit Boss® ierīce nodrošinās daudzus aromātiskas kalpošanas gadus ar minimālu tīrīšanu. Kopjot grilu, ievērojiet tālāk sniegtos ieteikumus par tīrīšanu un apkopi.

1. PELNU IZTĪRĪŠANA

- Grila korpusa apakšdaļā ir pelnu iztīrīšanas vieta, kur var viegli piekļūt degšanas trauka iekšpusei, lai varētu to viegli iztīrīt pēc nepieciešamības. Lai to iztukšotu, atlaidiet skavas fiksatoru uz pelnu trauka āķa. Kamēr turat rokturi, bīdīt pelnu trauku prom no skavas, pēc tam velciet to lejup, lai izņemtu. Kad pelnu trauks ir iztukšots, ievietojiet to, ieceļot to atpakaļ grila korpusa apakšdaļā, bīdot pelnu trauku skavas virzienā un pēc tam nostiprinot pelnu kārbas āķi ar skavas fiksatoru.

BRĪDINĀJUMS: šo darbību var veikt tikai tad, ja grils ir atdzisis.



2. PILTUVTILPNES MONTĀŽA

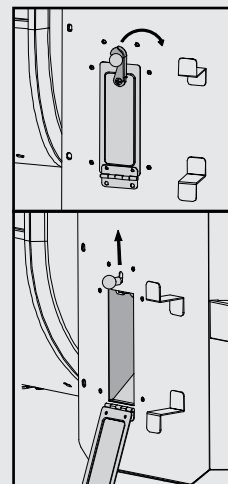
- Ja grils netiks lietots ilgāku laiku, ieteicams izvākt visas granulas no vītnes sistēmas. To var izdarīt, vienkārši darbinot grilu ar tukšu piltuvtilpni, līdz visas granulas ir iztukšotas no vītnes caurules.
- Pārbaudiet un iztīriet visus grūžus no ventilatora gaisa ieplūdes atveres, kas atrodas piltuvtilpnes apakšā. Kad piltuvtilpnes piekļuves panelis ir noņemts (skatiet shēmu šeit: **Elektroinstalācijas shēma**), rūpīgi noslaukiet visus taukvielu uzkrājumus no ventilatora lāpstiņām. Tādējādi tiek nodrošināta pietiekama gaisa plūsma uz padeves sistēmu.

PILTUVTILPNES TĪRĪŠANAS FUNKCIJA

Piltuvtilpne ir aprīkota ar tīrīšanas funkciju, lai atvieglotu tās tīrīšanu un koksnes granulu kurināmā radīto aromātu likvidēšanu. Lai iztukšotu piltuvtilpni, veiciet tālāk norādītās darbības.

- Atrodiet tīrīšanas durtiņas un to āķi piltuvtilpnes aizmugurē.
- Grieziet durtiņu āķi (augšpusē) pa labi, lai tas tiktu atvienots no atslēgšanas mehānisma stienī. Zem tīrīšanas durtiņām novietojiet tīru, tukšu spaini un ļaujiet durtiņām nolaisties. Paceliet atslēgšanas mehānisma stieni, lai atvērtu nolaižamā kanāla plāksni, ļaujot granulām izbirt no piltuvtilpnes.
- Pēc iztukšošanas ar roku iestumiet nolaižamā kanāla plāksni vietā. Tas nofiksēsies vietā. Aizveriet tīrīšanas durtiņas un grieziet durtiņu āķi atpakaļ uz atslēgšanas mehānisma stienī, lai nostiprinātu.

PIEZĪME: izmantojiet birsti ar garu rokturi vai industriālo putekļsūcēju, lai aizvāktu liekās granulas, zāģu skaidas un grūžus, nodrošinot pilnīgu iztīrīšanu caur piltuves sietu.



3. ZONDES

- Zondes vadu savijumi vai locījumi var izraisīt bojājumus. Ja gaļas zonde netiek lietota, tā jāsaritina lielā, vaļīgā spolē.
- Kaut arī grila zonde un gaļas zonde ir izgatavotas no nerūsējošā tērauda, nelieciet tās trauku mazgājamā mašīnā un neiegremdējiet ūdenī. Ūdens radīs bojājumus iekšējiem vadiem izraisīs zondes īssavienojumu un līdz ar to nepareizus rādījumus. Ja zonde ir bojāta, tā jānomaina.

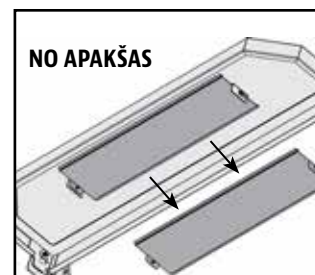
4. IEKŠĒJĀS VIRSMAS

- Ieteicams iztīrīt degšanas trauku ik pēc dažām lietošanas reizēm. Tādējādi tiek nodrošināta pareiza aizdedzināšana un var izvairīties no lieliem gružu vai pelnu uzkrājumiem degšanas traukā.
- Izmantojiet grila tīrīšanas birsti ar garu rokturi un noņemiet visu pārtiku un uzkrājumus no gatavošanas režģiem. Vislabāk to būtu darīt, kamēr tie vēl ir silti kopš iepriekšējās gatavošanas. Taukvielu degšanas iemesls ir pārāk liels nokritušu netīrumu apjoms uz grila gatavošanas komponentiem. Regulāri iztīriet grila iekšpusi. Ja aizdegušās taukvielas, turiet grila vāku aizvērtu, lai apslāpētu degšanu. Ja uguns tik drīz nenodzies, uzmanīgi izņemiet pārtiku, izslēdziet grilu un aizveriet vāku, līdz uguns ir pilnīgi nodzisusi. Uzberiet nedaudz dzeramās sodas (ja pieejama).
- Bieži pārbaudiet un, ja nepieciešams, iztīriet taukvielu spaini. Paturiet prātā savu gatavošanas veidu.

SVARĪGI: liela karstuma dēļ nepārklājiet ierīci cepšanai liesmās vai zondes ar alumīnija foliju.

5. ĀRĒJĀS VIRSMAS

- Priekšējā plaukta apakšdaļā ir noņemams panelis vieglai tīrīšanai. No apakšas stumiet pamatnes plāksni galvenā korpusa virzienā, lai to noņemtu. Tīriet un pēc tam ievietojiet to atpakaļ ar iebīdīšanu vietā.
- Noslaukiet grilu pēc katras lietošanas reizes. Notīriet taukvielas ar siltu ziepjūdeni. Ārējām grila virsmām neizmantojiet cepeškrāsns tīrīšanas līdzekli, abrazīvus tīrīšanas līdzekļus un abrazīvas tīrīšanas drānas. **Garantija neattiecas uz krāsotajām virsmām; uz tām attiecas vispārēja apkope un uzturēšana.** Ja krāsa ir saskrāpēta vai nodilusi vai notiek apdares atslāņošanās, visas krāsotās virsmas var pielabot, izmantojot liela karstumam paredzētu grila krāsu.
- Izmantojiet grila vāku, lai grilam nodrošinātu pilnu aizsardzību! Vāks ir vislabākā aizsardzība pret laikapstākļu ietekmi un āra piesārņotājiem. Ja grils netiek lietots vai tiek novietots ilgstošai glabāšanai, glabājiet to zem vāka garāžā vai šķūnī.



TĪRĪŠANAS BIEŽUMA GRAFIKS (NORMĀLAI LIETOŠANAI)

KOMPONENTS	TĪRĪŠANAS BIEŽUMS	TĪRĪŠANAS METODE
Grila pamatdaļas apakša	Ik pēc 5–6 grilēšanas reizēm	Iztīriet liekos gružus (varat izmantot industriālo putekļsūcēju)
Degšanas trauks	Ik pēc 2–3 grilēšanas reizēm	Iztīriet liekos gružus (varat izmantot industriālo putekļsūcēju)
Gatavošanas režģi	Pēc katras grilēšanas	Nodedziniet lieko, izmantojiet misiņa stieplu suku
Ierīce cepšanai liesmās	Ik pēc 5–6 grilēšanas reizēm	Noskrāpējiet galveno plāksni un slidni, nenomazgājiet to tīru
Plaukti	Pēc katras grilēšanas	Beršanas vīkšķis un ziepjūdens
Taukvielu spainis	Pēc katras grilēšanas	Beršanas vīkšķis un ziepjūdens
Vītnes padeves sistēma	Kad granulu maiss ir tukšs	Ļaujiet vītnei izgrūst zāģskaidas, atstājot piltuvtilpni tukšu
Piltuvtilpnes elektriskie komponenti	Vienreiz gadā	Iztīriet putekļus iekšpusē, noslaukiet ventilatora lāpstiņas, izmantojot ziepjūdeni
Gaisa ieplūdes ventilācijas atvere	Ik pēc 5–6 grilēšanas reizēm	Putekļi, beršanas vīkšķis un ziepjūdens
Grila zonde	Ik pēc 2–3 grilēšanas reizēm	Beršanas vīkšķis un ziepjūdens

IETEIKUMI UN METODES

Lai labāk izprastu grila darbību, ievērojiet šos noderīgos padomus un metodes, kuras ieteikuši Pit Boss® ierīču īpašnieki, mūsu personāls un paši pircēji.

1. PĀRTIKAS DROŠĪBA

- Uzturiet tīrību virtuvē un gatavošanas zonā. Pagatavotajai gaļai izmantojiet citas plāksnes un piederumus, nevis tos, ko lietojāt neapstrādātas gaļas sagatavošanai vai pārvietošanai no grila. Tādējādi tiek novērsta baktēriju savstarpējā pārnesšana. Katrai marinādei vai cepeša pārļiešanas mērcei ir nepieciešams savs piederums.
- Karsto ēdienu uzturiet karstu (virs 60 °C/140 °F), bet auksto — vēsu (zem 3 °C/37 °F).
- Marinādi nekad nevajag taupīt vēlākai lietošanai. Ja vēlaties to pasniegt kopā ar gaļu, pirms pasniegšanas noteikti uzvāriet.
- Pagatavoto ēdienu nevajadzētu atstāt karstumā ilgāk kā vienu stundu. Karsto ēdienu neatstājiet ārpus ledusskapja ilgāk kā divas stundas.
- Atkausējiet un marinējiet gaļu ledusskapī. Neatkausējiet gaļu istabas temperatūrā vai uz darba virsmas. Siltā, mitrā pārtikā var ātri augt un vairoties baktērijas. Pirms ēdiena gatavošanas un pēc darba ar svaigu gaļu, zivīm un putniem rūpīgi nomazgājiet rokas ar karstu ziepjūdeni.

2. SAGATAVOŠANĀS ĒDIENA GATAVOŠANAI

- Sagatavojieties jeb **Mise en Place**. Tas attiecas uz gatavošanas receptes, kurināmā, piederumu, instrumentu un visu nepieciešamo sastāvdaļu sagatavošanu pie grila, pirms sākat gatavot ēdienu. Turklāt pirms grila iededzināšanas izlasiet arī visu recepti no sākuma līdz beigām.
- Ļoti noderīgs ir grila grīdas paklājiņš. Tā kā rīkojoties ar pārtiku ne vienmēr viss izdodas nevainojami, turklāt gatavojot rodas šlakatas, grila grīdas paklājiņš aizsargā grīdu, iekšējo pagalmu un akmeņu platformu no iespējamo tauku plankumu rašanās vai nejaušām šlakatām.

3. GRILĒŠANAS IETEIKUMI UN METODES

- Lai gaļa uzņemtu vairāk dūmu aromāta, gatavojiet ilgāk un zemākā temperatūrā (dēvē arī par **zemo un lēno** gatavošanu). Kad gaļas iekšējā temperatūra sasniedz 49 °C/120 °F, tā aizver savas šķiedras. Smidzināšana un slacināšana ir lielisks paņēmieni, kā gaļu pasargāt no izzūšanas.
- Apcepot gaļu, vākam vienmēr jābūt uzliktam. Vienmēr izmantojiet gaļas termometru, lai noteiktu gatavojamā ēdiena iekšējo temperatūru. Ēdiena kūpināšanā izmantojot cietkoksnes granulas, gaļa un putni kļūst sārti. Sārto joslu (pēc gatavošanas) dēvē par **dūmu gredzenu**, un to augstu vērtē āra šefpavāri.
- Mērces uz cukura bāzes vislabāk būtu lietot neilgi pirms gatavošanas beigām, lai izvairītos no degšanas un uzliesmojumiem.
- Atstājiet atklātu vietu starp pārtiku un korpusa kājām, lai nodrošinātu pienācīgu siltuma plūsmu. Ēdiens uz pārblīveta grila būs jāgatavo ilgāk.
- Gaļas apgriešanai izmantojiet garas kņables, bet burgeru un zivju apgriešanai — lāpstīņu. Ar durstīšanas instrumenta, piemēram, dakšiņas, palīdzību var sadurstit gaļu, ļaujot izplūst tās sulai.
- Ēdiena gatavošanai kastroļos ir nepieciešams ilgāks laiks nekā seklās pannās.
- Gatavo ēdienu būtu labi novietot uz uzkaras plāksnes, lai uzturētu tā siltumu. Sarkanās gaļas, piemēram, steiku un cepešu, kvalitāte uzlabojas, ja tie pirms pasniegšanas var nostāvēties dažas minūtes. Tādējādi sulas, kas ir nonākušas virspusē karstuma ietekmē, var viegli atgriezties gaļas centrā, papildinot aromātu.

PROBLĒMU NOVĒRŠANA

Pienācīga tīrīšana, apkope, kā arī tīra, sausa, kvalitatīva kurināmā izmantošana novērš vispārējas ekspluatācijas problēmas. Ja Pit Boss® grils strādā slikti vai tiek reti izmantots, izlasiet tālāk norādītos problēmu novēršanas ieteikumus. Bieži uzdotos jautājumus skatiet vietnē www.pitboss-grills.com. Palīdzību varat arī saņemt, sazinoties ar vietējo Pit Boss® pilnvaroto izplatītāju vai klientu apkalpošanas dienestu.

BRĪDINĀJUMS: Pirms atvērt grilu, lai veiktu pārbaudi, tīrīšanu, remontu vai apkopi vienmēr atvienojiet elektrības vadu. Lai negūtu traumas, pārlicinieties, vai grils ir pilnīgi atdzisis.

PROBLĒMA	CĒLONIS	RISINĀJUMS
Vadības paneli nedeg barošanas gaismas	Nav savienojuma ar strāvas avotu	Pārlicinieties, vai ierīce ir pievienota strādājošam strāvas avotam. Atiestatiet slēgiekārtu. Pārlicinieties, vai GFCI nodrošina vismaz 10 ampērus (piekļuvi elektriskajiem komponentiem skatiet elektroinstalācijas shēmā). Pārlicinieties, vai visi vadu savienojumi ir stingri savienoti un sausi.
	Vadības paneli izdedzis drošinātājs	Noņemiet piltuvtilpnes piekļuves paneli (skatiet elektroinstalācijas shēmu), iespiediet plastmasas izciļņus, kas notur vietā vadības paneli, un uzmanīgi velciet vadības ierīci piltuvtilpnes iekšpusē, lai to atbrīvotu. Pārbaudiet, vai drošinātāja vads nav pārtrauts vai kļuvis melns. Ja ir, drošinātājs jānomaina manuāli.
	Vadības paneļa kļūme	Jānomaina vadības panelis. Sazinieties ar klientu apkalpošanas dienestu par rezerves daļu.
Degšanas traukā neiedegas uguns	Vītne nav uzpildīta	Pirms ierīces pirmās lietošanas <u>un</u> ik reizi, kad piltuvtilpnei ir pilnīgi iztukšota, vītne jāuzpilda tā, lai granulas pilnībā piepildītu vītnes cauruli. Ja tā nav uzpildīta, deglim iestāsies taimauts, pirms granulas sasniegs degšanas trauku. Ievērojiet piltuvtilpnes uzpildīšanas procedūru .
	Vītnes motors ir iesprūdis	Izņemiet gatavošanas komponentus no galvenā korpusa. Nospiediet barošanas pogu, lai ieslēgtu ierīci, un pārbaudiet vītnes padeves sistēmu. Visuāli pārbaudiet, vai vītne padod granulas degšanas traukā. Ja darbība nav pareiza, sazinieties ar klientu apkalpošanas dienestu, lai saņemtu palīdzību vai rezerves daļu.
	Degļa atteice	Izņemiet gatavošanas komponentus no galvenā korpusa. Nospiediet barošanas pogu, lai ieslēgtu ierīci, un pārbaudiet degli. Visuāli pārlicinieties, vai deglis darbojas, turot roku virs degšanas trauka, lai sajūstu karstumu. Visuāli pārbaudiet, vai deglis ir izvirzīts degšanas traukā aptuveni par 13 mm / 0,5 collām. Ja darbība nav pareiza, sazinieties ar klientu apkalpošanas dienestu, lai saņemtu palīdzību vai rezerves daļu.
Faktiskās temperatūras rādījumu nevar regulēt	Netīra grila zonde	Izpildiet sadaļā Kopšana un apkope sniegtos norādījumus.
	Bojāta grila zonde	Grila zonde ir jānomaina. Saziņa ar klientu apkalpošanas dienestu
Grils nesasniedz vai neuztur stabilu temperatūru.	Nepietiekama gaisa plūsma caur degšanas trauku	Pārbaudiet, vai degšanas traukā nav pelnu uzkrājumu vai nosprostoju. Izpildiet sadaļā Kopšana un apkope dotos norādījumus par pelnu uzkrāšanos. Pārbaudiet ventilatoru. Pārlicinieties, ka tas darbojas pareizi un gaisa ieplūde nav nosprostota. Ja tas ir netīrs, izpildiet sadaļā Kopšana un apkope sniegtos norādījumus. Pārbaudiet vītnes motora darbību un pārlicinieties, vai vītnes caurulē nav nosprostoju. Kad iepriekš minētās darbības ir veiktas, ieslēdziet grilu, iestatiet temperatūru uz SMOKE (Dūmi) un pagaidiet 10 minūtes. Pārbaudiet, vai liesma ir spilgta un vibrējoša.
	Trūkst kurināmā, zema kurināmā kvalitāte, nosprostoju padeves sistēmā	Apskatiet piltuvtilpni, lai pārlicinātos, vai kurināmā līmenis ir pietiekams, un, ja tas ir zems, pievienojiet kurināmo. Ja koksnes granulām ir zema kvalitāte vai granulas ir pārāk garas, tās var izraisīt nosprostoju padeves sistēmā. Izņemiet granulas un izpildiet sadaļā Kopšana un apkope sniegtos norādījumus.
	Grila zonde	Pārbaudiet grila zondes stāvokli. Ja tas ir netīrs, izpildiet sadaļā Kopšana un apkope sniegtos norādījumus. Bojājumu gadījumā sazinieties ar klientu apkalpošanas dienestu par rezerves daļu.
Grilam ir pārmērīgi vai bezkrāsaini dūmi	Taukvielu uzkrāšanās	Izpildiet sadaļā Kopšana un apkope sniegtos norādījumus.
	Koksnes granulu kvalitāte	Izņemiet no piltuvtilpnes mitrās koksnes granulas. Iztīriet, izpildot sadaļā Kopšana un apkope sniegtos norādījumus. Aizstājiet tās ar sausām koksnes granulām.
	Nosprostots degšanas trauks	Iztīriet degšanas trauku no mitrām koksnes granulām. Ievērojiet piltuvtilpnes uzpildīšanas procedūru .
	Nepietiekama gaisa ieplūde ventilatorā	Pārbaudiet ventilatoru. Pārlicinieties, ka tas darbojas pareizi un gaisa ieplūde nav nosprostota. Ja tas ir netīrs, izpildiet sadaļā Kopšana un apkope sniegtos norādījumus.

Bieži uzliesmojumi	Gatavošanas temperatūra	Mēģiniet gatavot zemākā temperatūrā. Taukvielām ir sava uzliesmošanas temperatūra. Ja gatavojat pārtiku ar augstu tauku saturu, uzturiet temperatūru zem 176 °C / 350 °F.
	Taukvielu uzkrāšanās uz gatavošanas komponentiem	Izpildiet sadaļā Kopšana un apkope sniegtos norādījumus.
Kļūdas kods "ErP"	Kad ierīce ir pievienota strāvas padevei, tā neizslēdzas pareizi	Drošības līdzeklis novērš automātisku restartēšanu. Nospiediet un trīs sekundes turiet barošanas pogu, lai izslēgtu ierīci, pagaidiet divas minūtes, pēc tam nospiediet barošanas pogu, lai ierīci atkal ieslēgtu. Pagrieziet uz vēlamo temperatūru. Ja kļūdas kods joprojām parādās, sazinieties ar klientu apkalpošanas dienestu.
	Enerģijas padeves pārtraukums ierīces darbības laikā	
Kļūdas kods "ErH"	Ierīce pārkursusi, iespējams, taukvielu degšanas vai lieka kurināmā dēļ	Nospiediet un trīs sekundes turiet barošanas pogu, lai izslēgtu ierīci un ļautu grilam atdzist. Izpildiet norādījumus sadaļā Apkope un apkope . Pēc apkopes noņemiet granulas un pārbaudiet visu sastāvdaļu stāvokli. Pēc atdzišanas nospiediet barošanas pogu, lai ieslēgtu ierīci, un pēc tam atlasiet vajadzīgo temperatūru. Ja kļūdas kods joprojām parādās, sazinieties ar klientu apkalpošanas dienestu.
Kļūdas kods "Erl"	Grils neveic palaides ciklu	Pārbaudiet, vai gatavošanas komponenti ir novietoti pareizi. Pārbaudiet, vai piltuvtilpnē pietiek kurināmā un vai padeves sistēmā nav nosprostojumu. Izņemiet granulas un izpildiet sadaļā Kopšana un apkope sniegtos norādījumus. Pārbaudiet grila zondi. Pārbaudiet, vai faktiskā temperatūra ir pareiza un precīza. Ja tas ir netīrs, izpildiet sadaļā Kopšana un apkope sniegtos norādījumus. Pārbaudiet degļa novietojumu un to, vai tas sakarst pareizi. Ļoti aukstā laikā grilu var būt nepieciešams iekurt atkārtoti. Izslēdziet grilu, pagaidiet, pēc tam ieslēdziet atkal. Pārbaudiet ventilatoru. Pārbaudiet, vai tas darbojas pareizi. Ja tas ir netīrs, izpildiet sadaļā Kopšana un apkope sniegtos norādījumus.
	Grila uguns nodziest	
Mirgojošu kļūdas kodu "PELLET"	Kurināmā ir par maz, slikta kurināmā kvalitāte, nosprostojami padeves sistēmā; nosprostota vitne	Apskatiet piltuvtilpni, lai pārliecinātos, vai kurināmā līmenis ir pietiekams, un, ja tas ir zems, pievienojiet kurināmo. Ja koksnes granulām ir zema kvalitāte vai granulas ir pārāk garas, tās var izraisīt nosprostojumu padeves sistēmā. Izņemiet granulas un izpildiet sadaļā Kopšana un apkope sniegtos norādījumus.
Mirgojošu kļūdas kodu "IGNITOR"	Deglis nedarbojas pareizi, neizveido savienojumu	Izņemiet gatavošanas komponentus no galvenā korpusa. Nospiediet barošanas pogu, lai ieslēgtu ierīci, un pārbaudiet degli. Vizuāli pārliecinieties, vai aizdedzināšanas deglis darbojas, turot roku virs kurtuves, lai sajustu karstumu. Vizuāli apstipriniet, ka deglis ir salāgots ar atveri kurtuvē un atvērts, lai varētu aizdedzināt granulas. Ja darbība nav pareiza, sazinieties ar klientu apkalpošanas dienestu, lai saņemtu palīdzību vai rezerves daļu.
	Degļa atteice	Deglis ir jānomaina. Sazinieties ar klientu apkalpošanas dienestu saistībā ar rezerves daļu.
Mirgojošu kļūdas kodu "AUGER"	Vitne nav uzpildīta	Pirms iekārtas pirmās lietošanas reizes un katru reizi, kad piltuvtilpnē ir pilnībā iztukšota, vitne jāuzpilda tā, lai granulas pilnībā piepildītu degšanas trauku. Ja tas nav uzpildīts, aizdedzināšanas deglim iestāsies taimauts, pirms granulas aizdegšies. Ievērojiet piltuvtilpnes uzpildīšanas procedūru .
	Vitnes motors ir iesprūdis; neizveido savienojumu	Izņemiet gatavošanas komponentus no galvenā korpusa. Nospiediet barošanas pogu, lai ieslēgtu ierīci, un pārbaudiet vitnes padeves sistēmu. Vizuāli pārbaudiet, vai vitne padod granulas degšanas traukā. Ja darbība nav pareiza, sazinieties ar klientu apkalpošanas dienestu, lai saņemtu palīdzību vai rezerves daļu.
Mirgojošu kļūdas kodu "FAN"	Ventilators nedarbojas pareizi, neizveido savienojumu	Pārbaudiet ventilatoru. Pārliecinieties, ka tas darbojas pareizi un gaisa ieplūde nav nosprostota. Noņemiet piltuvtilpnes piekļuves paneli (skatiet elektroinstalācijas shēmu) un pārbaudiet, vai ventilatora vadiem nav bojājumu. Ja ventilatora lāpstiņas ir netīras, izpildiet sadaļā Kopšana un apkope sniegtos norādījumus.

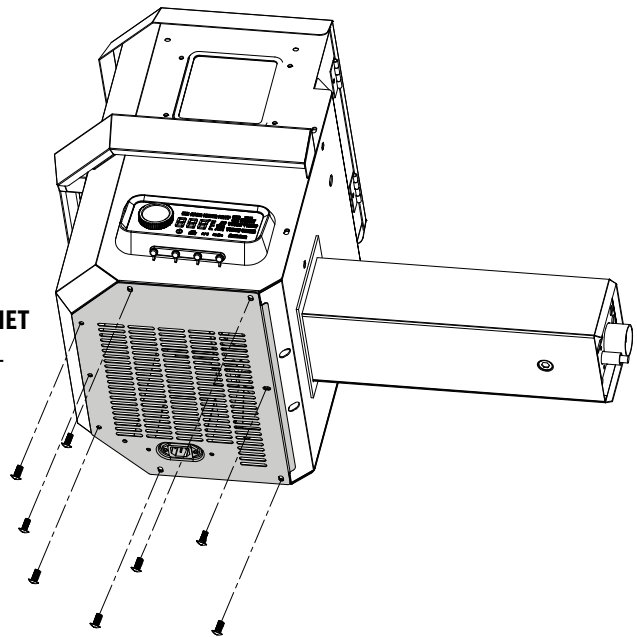
ELEKTROINSTALĀCIJAS SHĒMA

Digitālā vadības paneļa sistēma ir komplicēta un vērtīga tehnoloģijas vienība. Lai nodrošinātu aizsardzību pret strāvas pārspriegumiem un elektrības issavienojumiem, skatiet tālāk elektroinstalācijas shēmu; pārļiecinieties, vai strāvas avots ir pietiekams ierices darbībai.

PB — ELEKTRĪBAS PRASĪBAS
220–240 V, 50 Hz, 275 W, 3 ZARU IEZEMĒTA KONTAKTDAKŠA

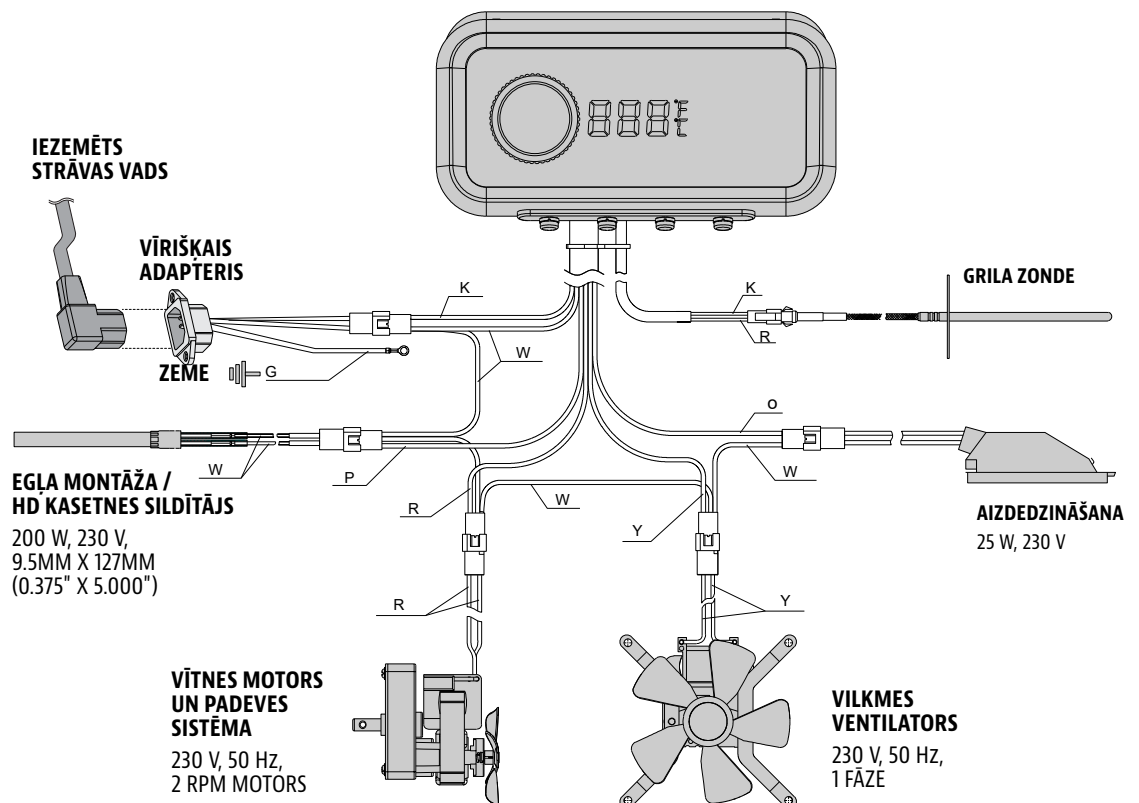
PIEZĪME: elektriskie komponenti, kuriem ir veikti apstiprināti drošības testēšanas un sertifikācijas pakalpojumi, ir atbilstoši ar testēšanas pielaidi ±5–10%.

**ATRODIET UN IZNEMIET
ASTOŅAS PIEKLŪVES
PANEĻA SKRŪVES
IERĪCES APAKŠĀ**



**KURINĀMĀ
IEVADES
NOMINĀLS:**
2,0 KG/H
(4,4 MĀRC./H)

VADĪBAS PANELIS



IEZEMĒTS
STRĀVAS VADS

VĪRIŠKAIS
ADAPTERIS

ZĒME

GRILA ZONDE

EGĻA MONTĀŽA /
HD KASETNES SILDĪTĀJS

200 W, 230 V,
9.5MM X 127MM
(0.375" X 5.000")

AIZDEDZINĀŠANA
25 W, 230 V

VĪTNES MOTORS
UN PADEVES
SISTĒMA

230 V, 50 Hz,
2 RPM MOTORS

VILKMES
VENTILATORS

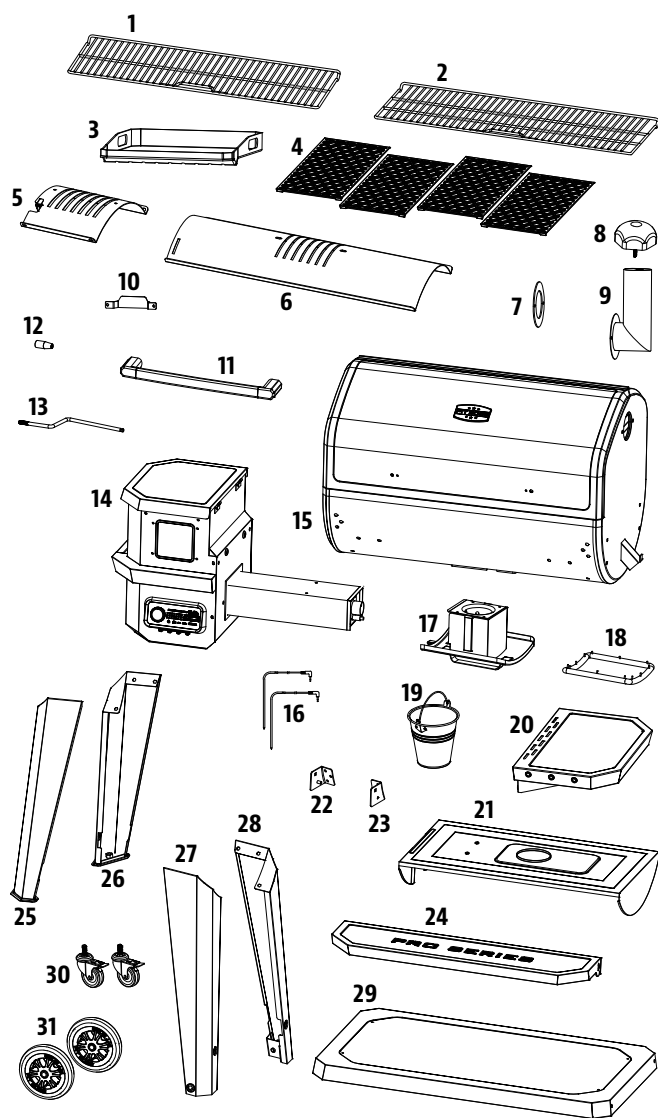
230 V, 50 Hz,
1 FĀZE

**ALFABĒTISKAIS
RĀDĪTĀJS**

K: MELNS
W: BALTS
R: SARKANS
Y: DZELTENS
P: PURPURSARKANS
O: ORANŽS
G: ZAĻŠ

GRILA REZERVES DAĻAS

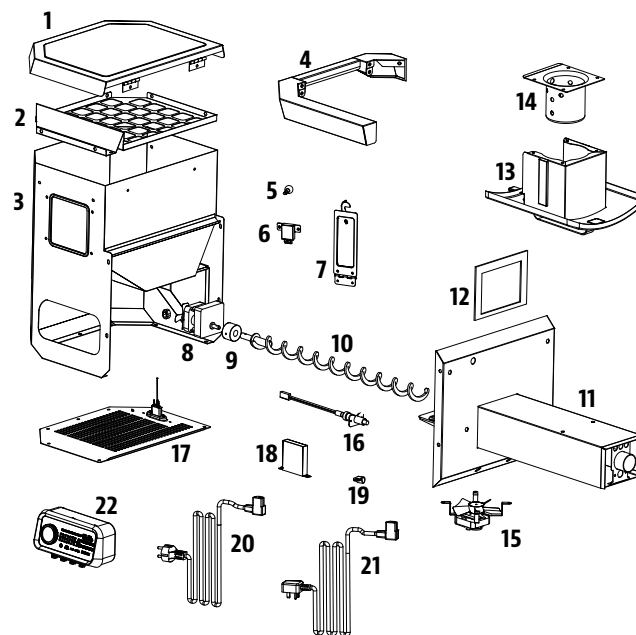
Daļas nr.	Apraksts
1	Augšējais gatavošanas plaukts (1 gab.)
2	Vidējais gatavošanas plaukts (1 gab.)
3	Panna (1 gab.)
4	Gatavošanas režģi (4 gab.)
5	Slīdnis cepšanai liesmās (1 gab.)
6	Galvenā plāksne cepšanai liesmās (1 gab.)
7	Dūmvada paplāksne (1 gab.)
8	Dūmvada vāciņš (1 gab.)
9	Dūmvada kopne (1 gab.)
10	Plaukta pakarināmais (1 gab.)
11	Vāka rokturis (1 gab.)
12	Ierīces cepšanai liesmās regulatora rokturis (1 gab.)
13	Ierīces cepšanai liesmās regulators (1 gab.)
14	Piltuvtilpnes montāža (1 gab.)
15	Galvenais korpuss (1 gab.)
16	Gaļas zonde (2 gab.)
17	Pelnu trauks (1 gab.)
18	Pelnu trauka starplika (1 gab.)
19	Taukvielu spainis (1 gab.)
20	Sānu plaukts (1 gab.)
21	Izkliedētāja plāksne (1 gab.)
22	Priekšējā plaukta kronšteins — kreisais (1 gab.)
23	Priekšējā plaukta kronšteins — labais (1 gab.)
24	Priekšējais plaukts (1 gab.)
25	Kreisā atbalsta kāja — priekšpuse (1 gab.)
26	Kreisā atbalsta kāja — aizmugure (1 gab.)
27	Labā atbalsta kāja — priekšpuse (1 gab.)
28	Labā atbalsta kāja — aizmugure (1 gab.)
29	Apakšējais plaukts (1 gab.)
30	Riteņi ar bloķētāju (2 gab.)
31	Riteņi (2 gab.)
A	Skrūves (28 gab.)
B	Paplāksnes (24 gab.)
C	Fiksācijas paplāksnes (22 gab.)
D	Piederumu āķi (3 gab.)
E	Riteņa šķelttapas (2 gab.)
F	Riteņa paplāksnes (2 gab.)
G	Riteņa ass tapas (2 gab.)
H	Skrūves (2 gab.)
I	Uzgriežņi (2 gab.)
J	Bukses (2 gab.)



PIEZĪME: tā kā notiek pastāvīga izstrādājumu attīstība, daļām var tikt veiktas izmaiņas bez iepriekšēja paziņojuma.

PILTUVTILPNES REZERVES DAĻAS

Daļas nr.	Apraksts
1	Piltuves vāks (1 gab.)
2	Piltuves drošības siets (1 gab.)
3	Piltuves kārbas korpuss (1 gab.)
4	Piltuvtilpnes rokturis (1 gab.)
5	Nolaižamā kanāla fiksatora rokturis (1 gab.)
6	Nolaižamā kanāla montāža (1 gab.)
7	Nolaižamā kanāla durtiņas (1 gab.)
8	Vītnes motors (1 gab.)
9	Neilona bukse (1 gab.)
10	Vītnes posmu montāža (1 gab.)
11	Vītnes kārbas korpuss (1 gab.)
12	Piltuvtilpnes korpusa paplāksne (1 gab.)
13	Pelnu trauks (1 gab.)
14	Degšanas trauks (1 gab.)
15	Degšanas ventilators (1 gab.)
16	Deglis (1 gab.)
17	Piltuvtilpnes piekļuves panelis (1 gab.)
18	Strāvas vada ūdensizturīgais vāks (1 gab.)
19	Strāvas vada saspraude (1 gab.)
20	Strāvas vads — F kontaktdakša (1 gab.)
21	Strāvas vads — G kontaktdakša (1 gab.)
22	Vadības panelis (1 gab.)



GARANTĪJA

NOSACĪJUMI

Visiem uzņēmuma Dansons ražotajiem Pit Boss® koksnes granulu griliem tiek piemērota ierobežota garantija, kas attiecas uz sākotnējo īpašnieku un stājas spēkā no pārdošanas datuma. Garantijas segums sākas pirkuma sākotnējā datumā, un garantijas apstiprināšanai ir nepieciešams pirkuma datuma pierādījums vai oriģinālā pārdošanas rēķina kopija. Ja klienti nevar nodrošināt pirkuma apliecinājumu vai ir beigusies garantija, klientiem tiek piemērota maksa par daļām, sūtīšanu un apstrādi. Dansons nodrošina piecu (5) gadu garantiju pret visu daļu defektiem un izstrādi, kā arī piecu (5) gadu garantiju elektriskajiem komponentiem. Dansons garantē, ka nevienai daļai nebūs materiāla un izstrādes defektu sākotnējā pircēja izmantošanas un piederības periodā. Garantija neaptver nolietojuma un nodiluma izraisītus bojājumus, piemēram, skrāpējumus, iespaidumus, iesitumus, robus vai sikas kosmētiskas plaisas. Šis grila estētiskā izskata izmaiņas neietekmē tā veiktspēju. Nevienas daļas remonta vai nomaiņas garantija nepārsniedz ierobežoto garantiju, kas ir pieci (5) gadi kopš pirkuma datuma.

Garantijas termiņa laikā Dansons saistības attiecas tikai uz tādu komponentu nomaiņas nodrošināšanu, kuriem ir konstatēts defekts un/vai radusies atteice. Garantijas perioda laikā Dansons nepiemēro maksu par atgriezto daļu remontu vai nomaiņu (ar sūtīšanas priekšapmaksu), ja pārbaudes laikā Dansons konstatē, ka daļai(-ām) ir defekts. Dansons neuzņemas atbildību par transportēšanas izmaksām, darba izmaksām un eksporta nodevām. Izņemot šajos garantijas nosacījumos norādīto, daļu remonts vai nomaiņa šeit iepriekš minētajā veidā un laika periodā aptver visu tiešo un atvasināto Dansons saistību un pienākumu pret jums izpildi.

Dansons veic visus piesardzības pasākumus, lai izmantotu materiālus, kas aizkavē rūsēšanu. Tomēr pat ar šo aizsardzību aizsargpārklājumus var nelabvēlīgi ietekmēt dažādas vielas un apstākļi, kas nav Dansons kontrolē. Augsta temperatūra, pārmērīgs mitrums, hlors, industriālie izgarojumi, mēslojums, zālāja pesticīdi un sāls ir tikai dažas no vielām, kas var ietekmēt metāla pārklājumus. Šo iemeslu dēļ garantija neattiecas uz rūsū vai oksidāciju, ja vien grila komponentam nav zudusi struktūras viengabalainība. Ja rodas kādi no iepriekš minētajiem apstākļiem, lūdz, skatiet kopšanas un apkopes sadaļu, lai uzzinātu, kā paildzināt ierīces darbību. Dansons iesaka izmantot grila pārsegu, kad grils netiek lietots. Šīs garantijas pamatā ir grila normāla izmantošana sadzīvē un apkalpošanā, un ierobežotās garantijas segums neattiecas uz grilu, kas tiek izmantots komerciāliem nolūkiem.

IZŅĒMUMI

Pit Boss® griliem nav ne rakstiskas, ne netiešas veiktspējas garantijas, jo ražotājs nevar kontrolēt uzstādīšanu, ekspluatāciju, tīrīšanu, apkopi un dedzinātā kurināmā veidu. Šī garantija netiek piemērota un Dansons neuzņemas atbildību, ja jūsu ierīce nav uzstādīta, ekspluatēta, tīrīta un uzturēta stingrā atbilstībā šai lietotāja rokasgrāmatai. Ja notiek jebkāda šajā rokasgrāmatā nenorādīta gāzes izmantošana, tas var būt garantijas anulēšanas iemesls. Garantija neattiecas uz bojājumiem un lūzumiem, ko izraisījis nepienācīga vai nepareiza izmantošana vai modifikācijas. Nedz uzņēmums Dansons, nedz pilnvarots Pit Boss® izplatītājs neuzņemas juridisku vai jebkādu citu atbildību par tādiem nejausiem vai izrietošiem kaitējumiem īpašumam vai personām, kas rodas šī izstrādājuma lietošanas rezultātā. Ja pret Dansons tiek iesniegta prasība, kuras pamatā ir šīs garantijas vai jebkura cita veida tiešas vai netiešas ar likumu noteiktas garantijas pārkāpums, ražotājs nekādā gadījumā neuzņemas atbildību ne par kādiem tiešiem, netiešiem, izrietošiem vai citiem jebkāda rakstura kaitējumiem, kas pārsniedz šī izstrādājuma sākotnējo pirkumu. Visas ražotāja garantijas ir izklāstītas šeit, un ražotājam nevar tikt iesniegtas nekādas prasības par garantiju vai pārstāvību. Dažās valstīs nav atļauts izslēgt vai ierobežot netiešos vai izrietošos kaitējumus, tāpēc šajā ierobežotajā garantijā izklāstītie ierobežojumi var neattiekties uz jums. Šī ierobežotā garantija jums piešķir specifiskas likumīgās tiesības, un jums var būt citas tiesības, kas dažādās valstīs atšķiras.

REZERVES DAĻU PASŪTĪŠANA

Lai pasūtītu rezerves daļas, sazinieties ar vietējo Pit Boss® izplatītāju vai apmeklējiet mūsu tiešsaistes veikalu vietnē www.pitboss-grills.com

SAZIŅA AR KLIENTU APKALPOŠANAS DIENESTU

Ja jums ir radušies kādi jautājumi vai problēmas, lūdz, sazinieties ar klientu apkalpošanas centru vietnē www.pitboss-grills.com

GARANTIJAS APKOPE

Par remontu vai rezerves daļām sazinieties ar tuvāko Pit Boss® izplatītāju. Garantijas prasības noteikšanai saskaņā ar Dansons prasībām ir nepieciešams pirkuma apliecinājums, tāpēc saglabājiet oriģinālo pirkuma čeku vai rēķinu turpmākai atsaucei. Pit Boss® sērijas un modeļa numurs ir norādīts piltuvtilpnes iekšpusē. Pierakstiet šos numurus šeit, jo etiķete var nolietoties vai kļūt nesalasāma.

MODELIS

SĒRIJAS NUMURS

PIRKUMA DATUMS

PILNVAROTAIS IZPLATĪTĀJS

SAUGOS INFORMACIJA

PAGRINDINĖS PRIETAISO GAISRŲ PRIEŽASTYS – PRASTA TECHNINĖ PRIEŽIŪRA IR SAUGAUS ATSTUMO IKI DEGIŲ MEDŽIAGŲ NEIŠLAIKYMAS. YPAČ SVARBU, KAD ŠIS GAMINYS BŪTŲ NAUDOJAMAS TIK PAGAL TOLIAU PATEIKTAS INSTRUKCIJAS.

Prieš bandydami surinkti, eksploatuoti arba montuoti gaminį, perskaitykite ir įsidėmėkite visame vadove pateiktą informaciją. Taip užtikrinsite maloniausią ir sklandžiausią savo naujojo medžio granulėmis kūrenamos kepsninės eksploatavimą. Taip pat patariame saugoti šį vadovą, jei prireiktų ateityje.

PAVOJAI IR ĮSPĖJIMAI

Susisiekite su vietos namų asociacijos, pastato arba priešgaisrinės apsaugos pareigūnais ar kompetentinga institucija, kad gautumėte jūsų regione reikiamus leidimus, pavedimą arba informacijos apie montavimo apribojimus, pvz., kepsninę montuojant ant degaus paviršiaus, patikros reikalavimus arba galimybę naudoti prietaisą.

1. Nuo degių konstrukcijų iki kepsninės šonų ir nuo kepsninės galo iki degių konstrukcijų reikia išlaikyti mažiausiai 914 mm (36 col.) tarpą. **Nemontuokite prietaiso ant degių grindų arba grindų, apsaugotų degiomis dangomis, nebent iš kompetentingos institucijos gavote tinkamus leidimus.** Nenaudokite šio prietaiso viduje, uždaroje arba nevėdinamoje vietoje, namo viduje, transporto priemonėse, palapinėse, garažuose. Šio medžio granulėmis kūrenamo prietaiso negalima pastatyti po kabančiomis degiomis lubomis arba iškyša. Laikykite savo kepsninę vietoje, kurioje nėra degių medžiagų, benzino ir kitų degių garų ir skysčių.

Užsidegus riebalams, IŠJUNKITE kepsninę ir nenuimkite dangčio, kol liepsna užges. Atjunkite maitinimo laidą. Nepilkite ant prietaiso vandens. Nebandykite nuslopinti ugnies. Netoliese turėkite universalų (ABC klasės) patvirtintą gesintuvą. Kilus nekontroliuojamam gaisrui, susisiekite su priešgaisrine tarnyba.

2. Laikykite elektros laidus ir degalus atokiau nuo kaistančių paviršių. Nenaudokite kepsninės lyjant arba netoli vandens šaltinio. Jei maitinimo laidas pažeistas, jį turi pakeisti gamintojas, jo techninės priežiūros atstovas arba panašios kvalifikacijos asmuo, kad nekiltų pavojų.
3. Jei ilgą laiką laikėte arba nenaudojote prietaiso, patikrinkite, ar ugnies inde nėra kliūčių, piltuve – pašalinių objektų ir ar niekas neblokuoja ventiliatoriaus oro įleidimo angos arba kamino. Prieš naudodami nuvalykite. Norint prailginti prietaiso naudojimo trukmę, jį reikia reguliariai prižiūrėti ir atlikti techninę priežiūrą. **Jei kepsninė laikoma lauke lietingo arba didelės drėgmės sezono metu, būtina užtikrinti, kad vanduo nepatektų į piltuvą.** Sušlapusios arba sudrėkusios medžio granulės išsiplės, pradės irti ir gali užkišti tiekimo sistemą. Prieš atlikdami techninės priežiūros darbus, visada išjunkite maitinimą.

Netransportuokite kepsninės, kai ją naudojate arba jei ji karšta. Prieš perkeldami į kitą vietą įsitikinkite, kad ugnis visiškai užgesusi ir kepsninė visiškai atvėsusi.

4. Naudojant kepsninę, rekomenduojama mėvėti karščiui atsparias orkaitės pirštines. Nenaudokite priedų, neskirtų naudoti su šiuo prietaisu. Nedėkite kepsninės dangčio arba degaus objekto į daiktų laikymo vietą, esančią po kepsnine.

5. Kad pirštai, rūbai arba kiti objektai nepaliestų sraigtinės tiekimo sistemos, prietaise įrengtas metalinis saugos skydelis. Jis pritvirtintas prie piltuvo vidaus. Šio skydelio negalima pašalinti, nebent tai nurodė klientų aptarnavimo tarnyba arba įgaliotas pardavėjas.

Šį prietaisą gali naudoti vaikai nuo 8 metų ir mažesnių fizinių, jutiminių ar psichinių gebėjimų asmenys arba asmenys, kuriems trūksta patirties ir žinių, jei juos prižiūri kitas asmuo arba jei jiems buvo pateikti nurodymai, kaip saugiai naudoti prietaisą, ir jie suprato galimus pavojus. Vaikams negalima žaisti su prietaisu. Neprižiūrimi vaikai negali valyti ar atlikti techninės priežiūros.

6. Kepsninės dalys gali labai įkaisti, todėl galima rimtai susižaloti. Naudojant neleiskite greta stovėti vaikams ir augintiniams.
7. Nedidinkite uždegiklio angų arba ugnies indų. Nesilaikant šio įspėjimo, gali kilti gaisro pavojus ir galima susižaloti. Taip pat jūsų garantija nebegalios.
8. Gaminiai gali turėti aštrių briaunų ar kitų vietų. Palietus galima susižeisti. Elkitės atsargiai.

PELENŲ ŠALINIMAS

Pelenus reikėtų dėti į metalinę talpą su sandariu dangčiu. Uždarą pelenų talpą reikėtų pastatyti ant nedegių grindų arba žemės, gerokai atokiau nuo visų degių medžiagų, kol pelenus išmesite. Kai pelenai šalinami užkasant juos žemėje arba kitaip išbarstant, jie turi būti laikomi uždaroje talpoje, kol visi cilindrai visiškai atvės.

MEDŽIO GRANULĖS (KURAS)

Šis granulėmis kūrenamas prietaisas pritaikytas ir patvirtintas tik visiškai natūraliam medžio granulių kurui naudoti. Kūrenant šį prietaisą bet kokios kitos rūšies kuru, garantija ir saugos sąrašas negalios. Turite naudoti tik visiškai natūralias medžio granules, skirtas granulėmis kūrenamoms kepsninėms. Nenaudokite kuro su priedais. Medžio granulės greitai sudrėksta ir turi būti visada laikomos sandarioje talpoje. Jei laikote kepsninę nenaudojamą ilgą laiką, rekomenduojame pašalinti visas granules iš kepsninės piltuvo ir sraigto, kad sistema neužsikimštų. Granulių kuro vidutinė kaitinimo vertė, išreikšta 8000-8770 BTU/LB, pelenų kiekis <1 %.

Nenaudokite spirito, benzino, gazolino, degiojo skysčio arba žibalo ugniai uždegti ar stipriau kepsninėje įkurti. Kai prietaisą naudojate, visus panašius skysčius laikykite nuo jo atokiau.

Dokumento spausdinimo metu kepsninės medžio granulėms nebuvo taikomas joks pramonės standartas, nors daugelis granulių gamyklų naudoja tuos pačius standartus medžio granulėms buitiniam naudojimui gaminti. Išsamesnės informacijos ieškokite www.pelletheat.org arba kreipkitės į *Pellet Fuel Institute*.

Susisiekite su savo vietos pardavėju dėl granulių kokybės jūsų regione ir norėdami gauti informacijos apie prekės ženklo kokybę. Kadangi naudojant, drėgmės paveiktų granulių kokybės nekontroliuojame, neprisiimame jokios atsakomybės už žalą, kurią sukelia prasta kuro kokybė.

KREOZOTAS

Kreozotas arba suodžiai yra į degutą panaši medžiaga. Degdama ji išskiria juodus dūmus su juodais likučiais. Suodžiai arba kreozotas susiformuoja, kai prietaisas yra netinkamai naudojamas, pavyzdžiui, užsiblokavus degimo ventiliatoriui, nevalant ir neprižiūrint degimo srities arba dėl prasto oro ir degalų degimo.

Šį prietaisą pavojinga naudoti, jei liepsna tampa tamsi, suodina, arba per daug granulėmis pripildžius ugnies indą. Užsidegus kreozotui, liepsna yra labai karšta ir nekontroliuojama, panašiai kaip užsidegus riebalams. Tokiu atveju išjunkite prietaisą, leiskite jam visiškai atvėsti, tuomet atlikite techninę priežiūrą ir valymą. Paprastai ši medžiaga kaupiasi aplink išmetimo angas.

Jei kreozotas susiformavo prietaise, leiskite jam įkaisti nustatę žemą temperatūrą, išjunkite prietaisą, tuomet nuvalykite susikaupusią medžiagą rankšluosčiu. Kaip ir degutą, šią medžiagą žymiai lengviau valyti, kai ji šilta, kadangi suskystėja.

ANGLIES MONOKSIDAS („TYLUSIS ŽUDIKAS“)

Anglies monoksidas yra bespalvės, bekvapės, beskonės dujos, kurios susiformuoja degant dujoms, medienai, propanui, akmens anglims arba kitam kurui. Anglies monoksidas mažina kraujo gebėjimą pernešti deguonį. Mažas deguonies kiekis kraujyje gali lemti galvos skausmą, svaigulį, silpnumą, pykinimą, vėmimą, mieguistumą, sutrikimą, sąmonės netekimą arba mirtį. Laikykitės toliau pateiktų nurodymų, kad neapsinuodytumėte šiomis bespalvėmis, bekvapėmis dujomis, ir jomis neapsinuodytų jūsų artimieji ar kiti asmenys.

- Kreipkitės į gydytoją, jei jūs arba kiti asmenys pajaučiate peršalimo arba gripo simptomus gamindami šiuo prietaisu arba būdami netoli jo. Apsinuodijimas anglies monoksidu (lengvai supainiojamas su peršalimu arba gripu) dažnai nustatomas per vėlai.
- Apsinuodijimo anglies monoksidu poveikis sustiprėja vartojant alkoholį arba narkotikus.

Anglies monoksidas ypač nuodingas motinai ir vaikui nėštumo metu, kūdikiams, pagyvenusiems, rūkantiems ir žmonėms, turintiems kraujo arba kraujotakos sistemos sutrikimų, pvz., sergantiems anemija arba širdies liga.

SAUGOS SĄRAŠAS

Atitinka EN 60335-2-102:2016, EN 60335-1:2012 + A11:2014 + A13:2017 + A1: 2019 + A14: 2019 + A2: 2019, EN62233: 2008, EN 55014-1:2017, EN IEC 61000-3-2:2019, EN 61000-3-3:2013+A1:2019, EN 55014-2:2015.



FCC ATITIKTIES PAREIŠKIMAS

Šis įrenginys atitinka FCC taisyklių 15 dalį. Veikimui taikomos šios dvi sąlygos: (1) šis įrenginys negali sukelti kenksmingų trukdžių ir (2) šis įrenginys turi priimti bet kokius gaunamus trukdžius, įskaitant tuos, kurie gali sutrikdyti jo veikimą.



Išbandžius šią įrangą buvo nustatyta, kad ji atitinka B klasės skaitmeninio įrenginio ribas pagal FCC taisyklių 15 dalį. Šios ribos skirtos užtikrinti pakankamą apsaugą nuo kenksmingų trukdžių gyvenamosiose patalpose. Ši įranga generuoja, naudoja ir gali spinduliuoti radijo dažnių energiją, o jei ji sumontuota ir naudojama ne pagal instrukcijas, gali sukelti kenksmingus radijo ryšio trukdžius. Tačiau nėra jokios garantijos, kad konkreti įrangos konfigūracija neskleis trukdžių. Jei ši įranga skleidžia kenksmingus trukdžius priimamam radijo ar televizijos signalui, kuriuos galima nustatyti išjungiant ir įjungiant įrangą, vartotojui siūloma pabandyti pašalinti trukdžius viena ar keliomis iš toliau nurodytų priemonių.

- Pakeiskite priimančios antenos kryptį arba padėtį.
- Padidinkite atstumą tarp įrangos ir imtuvo.
- Prijunkite įrangą prie kito lizdo, kurio grandinė nėra susieta a su imtuvo grandine.
- Pagalbos kreipkitės į pardavėją arba patyrusį radijo / televizijos technikos specialistą.

Dėmesio: naudotojai privalo turėti omenyje, kad dėl pakeitimų ar modifikacijų, kurių aiškiai nepatvirtino už atitiktį atsakinga šalis, naudotojas gali netekti įgaliojimo naudotis įranga.

„Bluetooth®“ žodinis ženklas ir logotipas yra registruotieji prekių ženklai, priklausantys „Bluetooth® SIG, Inc.“, o „Espressif“ šiuos ženklus naudoja pagal licenciją. Kiti prekių ženklai ir prekių pavadinimai priklauso jų atitinkamiems savininkams.



PRANEŠIMAS APIE AUTORIŲ TEISES

Autorių teisės 2021 m. Visos teisės saugomos. Jokios šio vadovo dalies negalima kopijuoti, perduoti, perrašyti, saugoti paieškos sistemoje bet kokia forma arba bet kokiomis priemonėmis be aiškaus rašytinio leidimo iš įmonės:

DANSONS EUROPE

11 Rue Galvani Paryžius, Prancūzija 75017

DANSONS ŠIAURĖS AMERIKA

3411 North 5th Avenue, Suite 500, Phoenix, AZ, USA 85013

KLIENTŲ APTARNAVIMAS

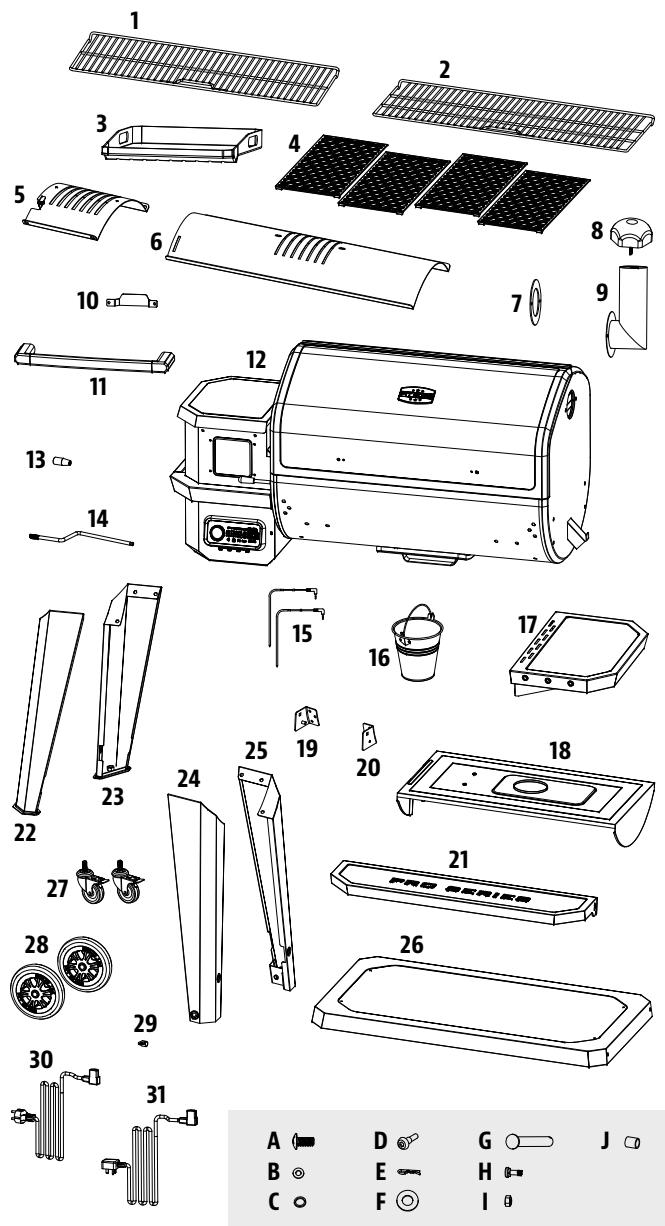
www.pitboss-grills.com

TURINYS

Saugos informacija	338
Dalys ir specifikacijos	342
Pasiruošimas prieš surenkant	343
Surinkimo instrukcijos	
Kojų tvirtinimas prie pagrindinio cilindro	343
Apatinės lentynos montavimas	344
Ratukų montavimas prie vežimėlio	344
Dangčio rankenos montavimas	344
Šoninės lentynos surinkimas	345
Šoninės lentynos tvirtinimas	345
Kamino tvirtinimas	345
Priekinės lentynos laikiklių tvirtinimas	346
Priekinės lentynos montavimas	346
Sklaitytuvo plokštės montavimas	346
Kepsninės plokštės komponentų montavimas	347
Kepimo komponentų montavimas	348
Lentynos kablo tvirtinimas	348
Riebalų surinkimo kibirėlio tvirtinimas	348
Maitinimo laido montavimas	349
Prijungimas prie maitinimo šaltinio	349
Naudojimo instrukcijos	
Kepsninės aplinka	350
Kepsninės temperatūros diapazonas	351
Valdymo plokštės veikimo supratimas	352
Valdymo plokštės funkcijos	353
Prijungimas prie programėlės „Smoke iT®“	355
Piltuvo pildymo procedūra	356
Naudojimas pirmą kartą – kepsninės nudeginimas	356
Automatinė paleidimo procedūra	356
Kepsninės išjungimas	356
Priežiūra ir techninė priežiūra	357
Patarimai ir metodai	359
Gedimų diagnostika ir šalinimas	360
Elektros laidų schema	362
Atsarginės dalys	
Kepsninės atsarginės dalys	363
Piltuvo atsarginės dalys	364
Garantija	365

DALYS IR SPECIFIKACIJOS

Dalies Nr.	Aprašymas
1	Viršutinė kepimo lentyna (x1)
2	Vidurinė kepimo lentyna (x1)
3	Grilio lėkštė (x1)
4	Kepimo grotelės (x4)
5	Kepsninės slankiojanti plokštė (x1)
6	Kepsninės pagrindinė plokštė (x1)
7	Kamino tarpiklis (x1)
8	Kamino dangtelis (x1)
9	Kamino vamzdis (x1)
10	Lentynos kablys (x1)
11	Dangčio rankena (x1)
12	Pagrindinis cilindras / piltuvo komplektas (x1)
13	Kepsninės plokštės reguliavimo sklendės rankenėlė (x1)
14	Kepsninės plokštės reguliavimo sklendė (x1)
15	Mėsos zondas (x2)
16	Riebalų surinkimo kibirėlis (x1)
17	Šoninė lentyna (x1)
18	Sklaidytuvo plokštė (x1)
19	Priekinės lentynos laikiklis / kairysis (x1)
20	Priekinės lentynos laikiklis / dešinysis (x1)
21	Priekinė lentyna (x1)
22	Kairė atraminė koja - priekinė (x1)
23	Kairė atraminė koja - galinė (x1)
24	Dešinė atraminė koja / priekinė (x1)
25	Dešinė atraminė koja / galinė (x1)
26	Apatinė lentyna (x1)
27	Fiksuojami ratukai (x2)
28	Ratai (x2)
29	Maitinimo laido spaustukas (x1)
30	Maitinimo laidas – F kištukas (x1)
31	Maitinimo laidas – G kištukas (x1)
A	Varžtai (x28)
B	Poveržlės (x24)
C	Fiksavimo poveržlės (x22)
D	Įrankių kabliai (x3)
E	Rato kaiščiai (x2)
F	Rato poveržlės (x2)
G	Rato ašies kaiščiai (x2)
H	Varžtai (x2)
I	Veržlės (x2)
J	Įvorės (x2)



PASTABA. Dėl nuolatinio gaminio tobulinimo dalys gali keistis nepranešus. Susisiekite su klientų aptarnavimo tarnyba, jei prietaiso surinkimo metu trūksta dalių.

PB – ELEKTROS REIKALAVIMAI
220–240 V, 50 Hz, 275 W, ĮŽEMINTAS KIŠTUKAS

MODELIS	SURINKTA (P x G x A)	SVORIS	KEPIMO PLOTAS	TEMPERATŪROS DIAPAZONAS
PB PB1600PS1	1 587,5 MM x 813,5 MM x 1 400 MM / 62,50 COL. x 32,03 COL. x 55,12 COL.	110,0 KG / 242,5 SVAR.	VIRŠUTINĖ LENTYNA – 2 474,8 CM ² / 383,6 COL. ² VIDURINĖ – 3 249,6 CM ² / 503,7 COL. ² PAGRINDINĖ – 4 587,1 CM ² / 711,0 COL. ² IŠ VISO: 10 311,5 CM ² (1 598,3 COL. ²)	82–260 °C / 180–500 °F

PASIRUOŠIMAS SURINKTI

Dalys yra pateiktos kartoninėje transportavimo dėžėje bei po kepsnine. Apžiūrėkite kepsninę, dalis ir techninės įrangos lizdinę plokštelę išėmę juos iš apsauginės kartoninės transportavimo dėžės. Prieš surinkdami išmeskite visas pakuotės medžiagas, esančias kepsninės viduje ir išorėje, tuomet apžiūrėkite ir patikrinkite, ar yra visos dalys, remdamiesi dalių sąrašu. Jei kokios nors dalies trūksta arba ji yra pažeista, nbandykite surinkti. Transportavimo metu padarytai žalai garantija netaikoma. Dėl dalių kreipkitės į savo pardavėją arba „Pit Boss®“ klientų aptarnavimo tarnybą.

www.pitboss-grills.com

SVARBU: šį prietaisą lengviau surinkti, kai jį montuoja du asmenys (tačiau tai nebūtina).

Surinkimui reikia šių įrankių: atsuktuvo ir gulsčiuo. *Įrankiai nepridėti.*



SURINKIMO INSTRUKCIJOS

SVARBU: rekomenduojama gerai perskaityti kiekvieną veiksmą prieš pradėdant surinkimą. Nepriveržkite varžtų, kol neįkišote visų tame veiksmu nurodytų varžtų. Techninės įrangos derinys, apimantis fiksavimo poveržlę ir poveržlę, turi būti montuojamas su fiksavimo poveržle arčiausiai varžto galvutės.

1. KOJŲ TVIRTINIMAS PRIE PAGRINDINIO CILINDRO

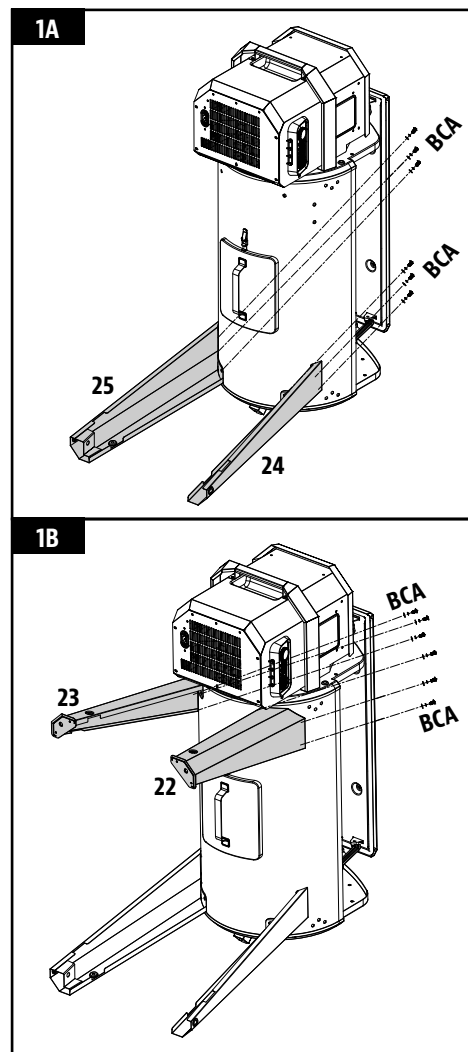
Reikalingos dalys

- 1 x Pagrindinis cilindras / piltuvo komplektas (#12)
- 1 x kairė atraminė koja - priekinė (#22)
- 1 x kairė atraminė koja - galinė (#23)
- 1 x dešinė atraminė koja / priekinė (#24)
- 1 x dešinė atraminė koja / galinė (#25)
- 12 x varžtų (#A)
- 12 x poveržlių (#B)
- 12 x fiksavimo poveržlių (#C)

Montavimas:

- Ant grindų padėkite kartono gabalą, kad surenkant nesusibraižytų prietaisas ir dalys. Paguldykite pagrindinį cilindrą šonu ant kartono (piltuvas turi būti nukreiptas aukštyn).
- Tvirtinkite priekinę dešiniąją atraminę koją prie pagrindinio cilindro (arčiau grindų) trimis varžtais, poveržlėmis ir fiksavimo poveržlėmis, juos priverždami prie iš anksto išgręžtų trijų angų. Įsukite varžtus iš pagrindinio cilindro vidaus. Taip pat sumontuokite galinę dešiniąją atraminę koją. Žr. 1A. iliustraciją.
- Tada pritvirtinkite priekinę dešiniąją kairiąją koją prie pagrindinio cilindro (arčiau piltuvo) trimis varžtais, poveržlėmis ir fiksavimo poveržlėmis, juos priverždami prie iš anksto išgręžtų trijų angų. Įsukite varžtus iš pagrindinio cilindro vidaus. Taip pat sumontuokite galinę kairiąją atraminę koją. Žr. 1B. iliustraciją.

SVARBU: neužveržkite varžtų iki galo, kol nesumontuosite apatinės lentynos.



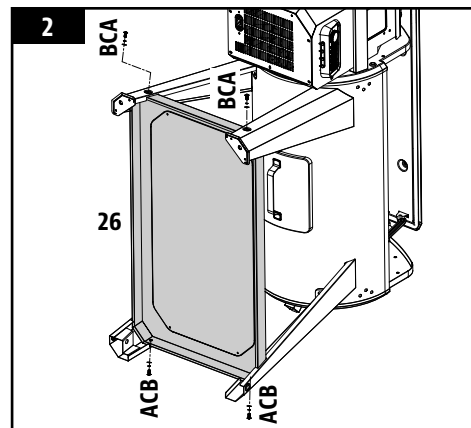
2. APATINĖS LENTYNOS MONTAVIMAS

Reikalingos dalys

- 1 x apatinė lentyna (#26)
- 4 x varžtai (#A)
- 4 x poveržlės (#B)
- 4 x fiksavimo poveržlės (#C)

Montavimas:

- Pritvirtinkite apatinę lentyną prie kiekvienos atraminės kojos varžtu, fiksavimo poveržle ir poveržle. Įsitinkinkite, kad lentynos plokščias paviršius būtų nukreiptas į viršų, į kepsninės cilindrą.



3. RATUKŲ MONTAVIMAS PRIE VEŽIMĖLIO

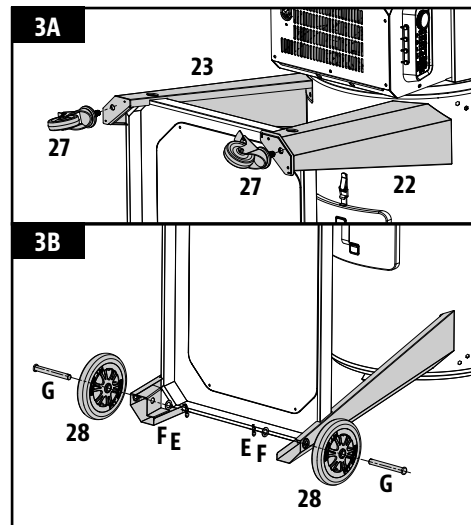
Reikalingos dalys

- 2 x fiksuojami ratukai (#27)
- 2 x ratai (#28)
- 2 x ratų kaiščiai (#E)
- 2 x ratų poveržlės (#F)
- 2 x ratų ašių kaiščiai (#G)

Montavimas:

- Įstatykite kiekvieną fiksuojamą ratuką į angą kiekvienos kairiosios atraminės kojos apačioje ir priveržkite jį ranka. Įsitinkinkite, kad kiekvienas fiksuojamas ratukas įstatytas iki galo. Žr. 3A. iliustraciją.
- Tvirtinkite kiekvieną ratą prie kiekvienos dešinės atraminės kojos įstatydami rato ašies kaištį per ratą, atraminės kojos angą, rato poveržlę ir galiausiai pritvirtindami rato kaištį. Žr. 3B. iliustraciją.
- Pritvirtinę lentyną, atsargiai pakelkite kepsninę ir pastatykite vertikaliaje padėtyje.

SVARBU: pastatę grotelės vertikaliai, iki galo priveržkite atraminių kojų varžtus.



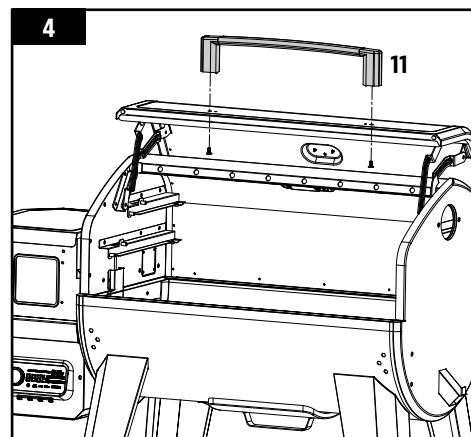
4. DANGČIO RANKENOS MONTAVIMAS

Reikalingos dalys

- 1 x dangčio rankena (#11)

Montavimas:

- Išimkite iš anksto sumontuotus varžtus iš dangčio rankenos. Cilindro dangčio viduje įkiškite varžtą, kad jis išlįstų į išorę, tada ranka jį priveržkite (iš vidaus) prie dangčio rankenos. Taip pat sumontuokite kitą dangčio rankenos galą.



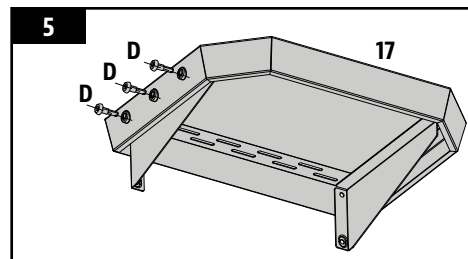
5. ŠONINĖS LENTYNOS SURINKIMAS

Reikalingos dalys

- 1 x Šoninė lentyna (#17)
- 3 x Įrankių kabliai (#D)

Montavimas

- Apverskite šoninę lentyną aukštyn kojomis. Šoninės lentynos krašte su trimis angomis įstatykite įrankių kablius į kiekvieną skylę išilgai krašto. Įrankių kabliai tvirtinami prie veržlės, kuri yra iš anksto pritvirtinta vidinėje pusėje.



6. ŠONINĖS LENTYNOS TVIRTINIMAS

Reikalingos dalys

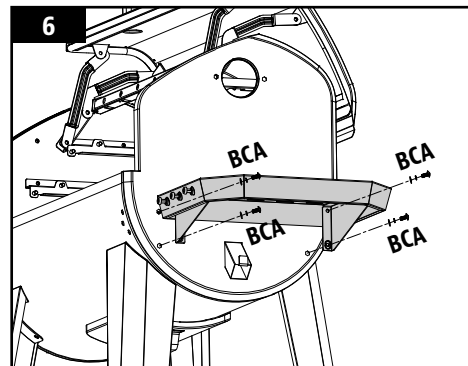
- 4 x varžtai (#A)
- 4 x fiksavimo poveržlės (#C)
- 4 x poveržlės (#B)

Montavimas

- Iš apačios pritvirtinkite šoninę lentyną prie pagrindinio cilindro šoninės plokštės keturiais varžtais, fiksavimo poveržlėmis ir poveržlėmis.

PASTABA: nepriveržkite varžtų, kol neįkišote visų nurodytų varžtų. Kai įsuksite visus varžtus, tvirtai juos priveržkite.

SVARBU: nestumkite ir nekelkite kepsninės laikydami už lentynų. Dėl prietaiso svorio lentynos sulūš – garantija tokių gedimų neapima.



7. KAMINO TVIRTINIMAS

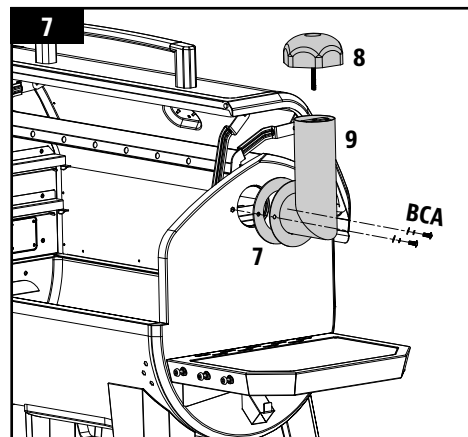
Reikalingos dalys

- 1 x kamino tarpiklis (#7)
- 1 x kamino dangtelis (#8)
- 1 x kamino vamzdis (#9)
- 2 x varžtai (#A)
- 2 x fiksavimo poveržlės (#C)
- 2 x poveržlės (#B)

Montavimas

- Raskite kamino angą, esančią pagrindinio cilindro šone. Iš išorės pritvirtinkite kamino vamzdis ir kamino tarpiklį prie šoninės plokštės dviem varžtais, fiksavimo poveržlėmis ir poveržlėmis. Varžtas prisitvirtins prie iš anksto sumontuotos veržlės cilindro viduje.
- Tada pritvirtinkite kamino dangtelį prie kamino vamzdžio, įsukdami kamino dangtelio varžtą į kamino vamzdį.

PASTABA: reguliuodami kamino dangtelį galite reguliuoti oro srautą į pagrindinę kepsninę. Jei gaminate žemoje temperatūroje, dangtelį atidarykite plačiau. Įsitinkinkite, kad kamino dangtelis išleidžia orą.



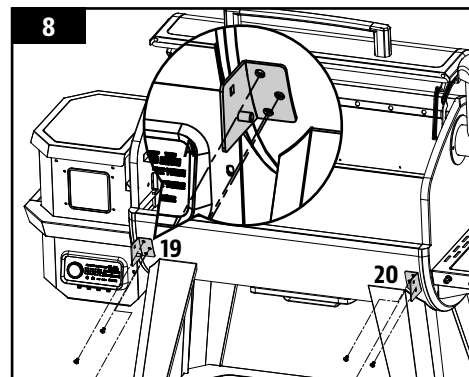
8. PRIEKINĖS LENTYNOS LAIKIKLIŲ TVIRTINIMAS

Reikalingos dalys

- 1 x Priekinės lentynos laikiklis / kairysis (#19)
- 1 x Priekinės lentynos laikiklis / dešinysis (#20)
- 6 x varžtai (#A)

Montavimas:

- Vieną priekinės lentynos laikiklį pritvirtinkite prie kepsninės cilindro priekio trimis varžtais. Ne iki galo prisukite kiekvieną varžtą, o kai visi trys varžtai bus pritvirtinti ir tinkamai sulygiuoti, priveržkite juos iki galo.
- Taip pat sumontuokite kitą priekinės lentynos laikiklį.



9. PRIEKINĖS LENTYNOS MONTAVIMAS

Reikalingos dalys

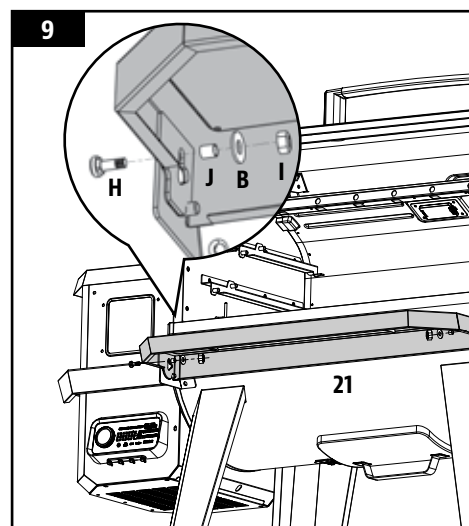
- 1 x Priekinė lentyna (#21)
- 2 x poveržlės (#B)
- 2 x varžtai (#H)
- 2 x veržlės (#I)
- 2 x įvorės (#J)

Montavimas

- Iš apačios įstatykite varžtą (iš išorinės pusės) į priekinės lentynos laikiklį ir priekinę lentyną, tada užmaukite ant varžto įvorę, poveržlę ir veržlę. Taip pat sumontuokite kitą priekinės lentynos pusę.

PASTABA: tinkamai sumontavus, priekinę lentyną galima lengvai pakelti (naudojant) ir nuleisti (nenaudojant).

SVARBU: nestumkite ir nekelkite kepsninės laikydami už lentynų. Dėl prietaiso svorio lentynos sulūš – garantija tokių gedimų neapima.



10. SKLAIDYTUVO PLOKŠTĖS MONTAVIMAS

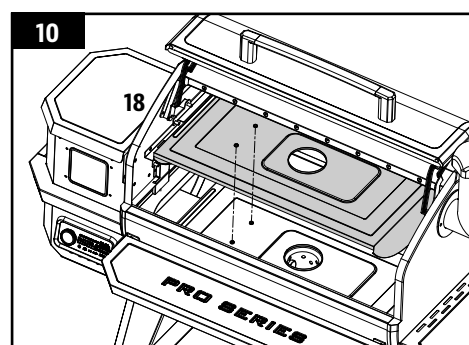
Reikalingos dalys

- 1 x sklaidytuvo plokštė (#18)

Montavimas:

- Įdėkite sklaidytuvo plokštę į pagrindinį cilindrą, kad centrinė anga susilygintų su apskritu ugnies puodu pagrindinės statinės apačioje.

PASTABA: sklaidytuvo plokštės nereikia tvirtinti.



11. KEPSNINĖS PLOKŠTĖS KOMPONENTŲ MONTAVIMAS

Reikalingos dalys

- 1 x kepsninės slankiojanti plokštė (#5)
- 1 x kepsninės pagrindinė plokštė (#6)
- 1 x Kepsninės plokštės reguliavimo sklendės rankenėlė (#13)
- 1 x Kepsninės plokštės reguliavimo sklendė (#14)

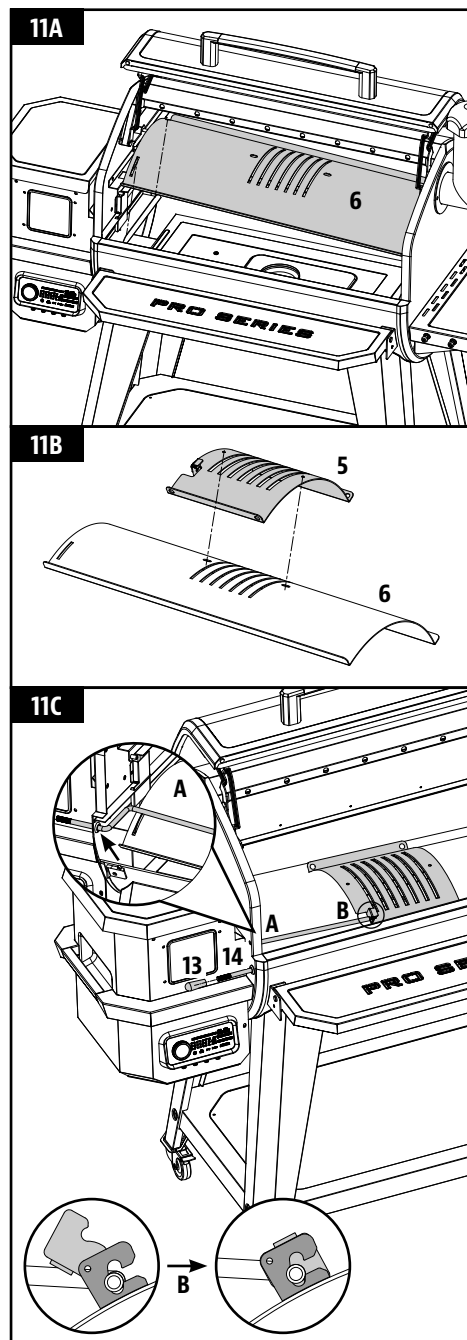
Montavimas:

- Įkiškite kepsninės pagrindinę plokštę į kepsninės korpusą – pradėkite nuo dešinės pusės. Atremkite kepsninės pagrindinę plokštę ant integruotos kepsninės korpuso briaunos (vidinė dešinė pusė), nukreipiančios riebalus tiesiai į riebalų surinkimo kibirėlį. Įstumkite visą dalį į dešinę pusę ir ant kepsninės pagrindinės plokštės esančios dvi angos įsistatys į apvalią briauną, esančią virš ugnies indo. Ji bus įstatyta šiek tiek žemyn nukreiptu kampu. 11A pastaba.

SVARBU. Jei kepsninės pagrindinė plokštė yra ant cilindro pagrindo, ją sumontavote neteisingai. Kepsninės pagrindinė plokštė turi būti įstatyta kampu, kairioji pusė turi būti šiek tiek aukščiau už dešiniąją. Blogai sumontavus šią dalį, gali būti sugadintas jūsų kepsninės korpusas.

- Uždėkite kepsninės slankiojančią plokštę ant pagrindinės plokštės, uždengdami angas. Įsitikinkite, kad iškili sąselė yra kairėje pusėje, kad lengvai reguliuotumėte tiesioginę arba netiesioginę liepsną kepimo metu. Žr. 11B iliustraciją. Abi kepsninės dalys šiek tiek padengtos alyva, kad neaprūdytų transportavimo metu.
- Tada nuimkite kepsninės plokštės reguliavimo sklendės rankenėlę nuo kepsninės plokštės reguliavimo sklendės. Įstatykite kepsninės plokštės reguliavimo sklendę per atvirą angą kairėje pagrindinio cilindro pusėje. Vėl uždėkite kepsninės plokštės reguliavimo sklendės rankenėlę cilindro gale išorėje. Toliau įstumkite reguliavimo sklendės galą į kepsninės slankiojančios plokštės fiksavimo sąselę, kuri suteikia reguliuojamą prieigą prie kepsninės slankiojančios plokštės pagrindinėje plokštelėje. Žr. 11C. nurodytus veiksmus.

PASTABA: kai kepsninės slankiojanti plokštė atidaryta ir naudojama tiesioginė liepsna, nepalikite kepsninės be priežiūros.



12. KEPIMO KOMPONENTŲ MONTAVIMAS

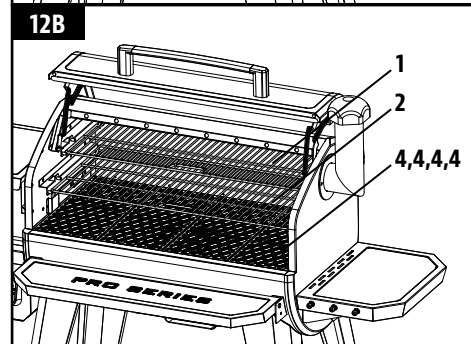
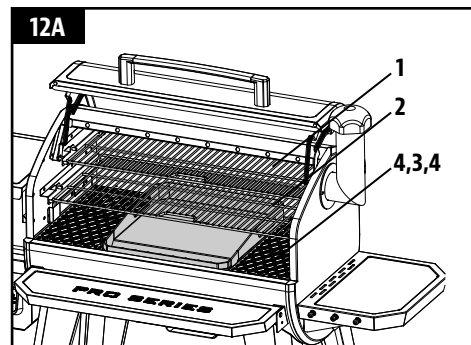
Reikalingos dalys

- 1 x viršutinė kepimo lentyna (#1)
- 1 x vidurinė kepimo lentyna (#2)
- 1 x Grilio lėkštė (#3)
- 4 x kepimo grotelės (#4)

Montavimas:

- Pasirinkite norimą pagrindinį kepimo paviršių: dvi kepimo grotelės su grilio lėkšte (žr. 12A) arba keturias kepimo grotelės (žr. 12B). Uždėkite pasirinkta kepimo paviršių derinį ant kepsninės korpuse esančių apatinių grotelių atbrailų.
- Tada uždėkite vidurinę kepimo lentyną ant vidurinių briaunų pagrindinės kepsninės viduje. Uždėkite viršutinę kepimo lentyną kepsninės korpuse ant viršutinių briaunų.

PASTABA: norint išlaikyti kepimo grotelių ir kepimo lentynų skrudinimo ir kepimo savybes, būtina reguliari priežiūra.



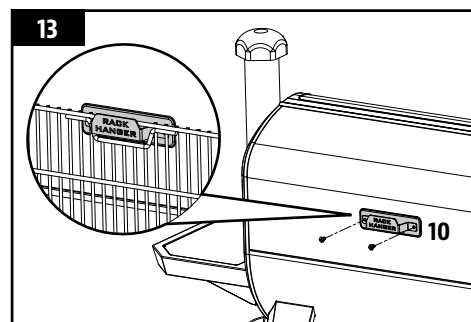
13. LENTYNOS KABLIO TVIRTINIMAS

Reikalingos dalys

- 1 x lentynos kablys (#10)

Montavimas:

- Pritvirtinkite lentynos kablią prie pagrindinio cilindro galinės plokštės, naudodami iš anksto sumontuotus varžtus. Nenaudojamas kepimo lentynas galima kabinti ant lentynos kablio.



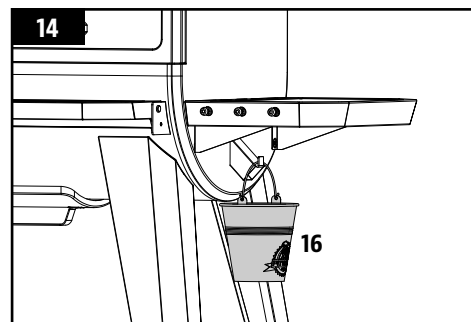
14. RIEBALŲ SURINKIMO KIBIRĖLIO MONTAVIMAS

Reikalingos dalys

- 1 x riebalų surinkimo kibirėlis (#16)

Montavimas:

- Uždėkite riebalų surinkimo kibirėlį ant išleidžiamosios angos kabliuko, esančio pagrindinio cilindro šone. Įsitikinkite, kad jis uždėtas lygiai, kad neišsiliėtų riebalai.
- Prietaisas visiškai surinktas.



15. MAITINIMO LAIDO MONTAVIMAS

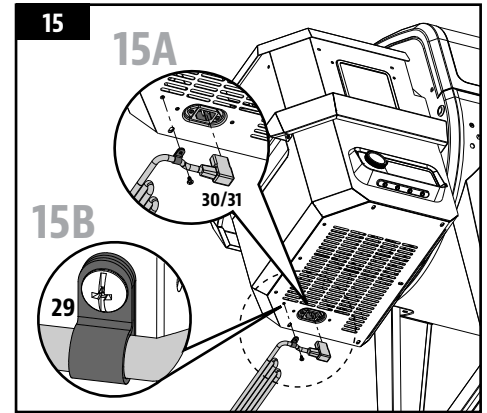
PASTABA: tiekiami du maitinimo laidai. Pasirinkite jūsų regionui tinkamą maitinimo laidą.

Reikalingos dalys

- 1 x Maitinimo laido spaustukas (#29)
- 1 x Maitinimo laidas (#30 arba #31)

Montavimas:

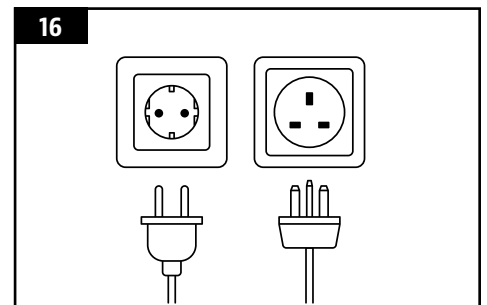
- Uždėkite maitinimo laido spaustuką ant maitinimo laido. Tada įkiškite maitinimo laidą į įrenginio apačioje esantį griovelį. 15A pastaba.
- Pritvirtinkite maitinimo laido spaustuką prie apatinės plokštės, naudodami iš anksto sumontuota varžtą, kaip parodyta. 15B pastaba.



16. PRIJUNGIMAS PRIE MAITINIMO ŠALTINIO

- **STANDARTINIS LIZDAS**
Šiam prietaisui reikalinga 220–240 V, 50 Hz, 275 W. Reikia naudoti įžemintą kištuką. Prieš naudodami įsitikinkite, kad įžemintas galas nėra nulūžęs. Valdymo rankenėlė naudoja 220–240 V ir greito veikimo saugiklį, kad apsaugotų plokštę nuo uždegiklio.

SVARBU: atjunkite prietaisą nuo maitinimo šaltinio, kai jo nenaudojate.



NAUDOJIMO INSTRUKCIJOS

Atsižvelgiant į šiandienos gyvenimo būdą, kuriuos siekiama valgyti sveiką ir maistingą maistą, reikia apsvarstyti šį veiksnių – suvartojamo riebalų kiekio mažinimo svarbą. Vienas geriausių būdų sumažinti riebalų kiekį mityboje – naudoti mažai riebalų naudojamą gaminimo būdą, pvz., kepimą ant grotelių. Kadangi granulėmis kūrenamoje kepsninėje naudojamos natūralios medžio granulės, malonus medienos kvapas įsigeria į mėsą, taip sumažėja noras vartoti daug cukraus turinčius padažus. Pastebėsite, kad šiame vadove pabrėžiama kepti maistą nustatčius LOW (žema) arba MEDIUM (vidutinė) temperatūros nustatymus.

KEPSNINĖS APLINKA

1. KUR PASTATYTI KEPSNINĘ

Kaip ir visiems lauko prietaisams, jūsų kepsninei ir kepimo laikui labai svarbios oro sąlygos.

Visus „Pit Boss®“ prietaisus būtina statyti 914 mm (36 col.) atstumu nuo degių konstrukcijų ir šis atstumas turi būti išlaikytas, kai kepsninė naudojama. Šio prietaiso negalima statyti po kabančiomis degiomis lubomis arba iškyšomis. Laikykite savo kepsninę vietoje, kurioje nėra degių medžiagų, benzino ir kitų degių garų bei skysčių.

2. KEPIMAS ŠALTU ORU

Atšalę orai nereiškia, kad kepimo ant grotelių sezonas baigėsi! Gaivus vėsus oras ir dieviškas rūkyto maisto aromatas padės įveikti žiemos melancholiją.

Vadovaukitės šiais pasiūlymais norėdami mėgautis kepsnine šaltesniu oru:

- Jei rūkymas nepavyksta esant žemai temperatūrai, šiek tiek ją padidinkite, kad gautumėte tokius pačius rezultatus.
- Susitvarkykite – pasiruoškite viską, ko reikia, virtuvėje prieš išeidami į lauką. Žiemą perkelkite kepsninę į vietą, apsaugotą nuo vėjo ir tiesioginio šalčio. Patikrinkite vietos reglamentus, kad išsiaiškintumėte, koku atstumu jūsų kepsninė turi būti pastatyta nuo namų ir (arba) kitų konstrukcijų. Padėkite viską ant padėklo, gerai išdėliokite ir gaminkite!
- Norėdami lengvai stebėti lauko temperatūrą, šalia gaminimo zonos įrenkite lauko termometrą. Užsirašykite, ką kepėte, lauko temperatūrą ir kepimo laiką. Tai vėliau padės nustatyti, ką kepėte ir kiek laiko tai užtruko.
- Labai šaltu oru pašildymo trukmę pailginkite bent 20 minučių.
- Nekilnokite dangčio dažniau nei reikia. Šalto vėjo gūsiams gali visiškai atvėsinti kepsninės temperatūrą. Įsidėmėkite, kad kepimas gali užtrukti ilgiau. Kiekvieną kartą atidarę dangtį, pridėkite papildomą kepimo laiką.
- Pasiruoškite šildomą lėkštę arba lėkštės dangtį, kad maistas išliktų šiltas, kol eisite į vidų.
- Žiemą geriausia kepti maistą, kuriam nereikia daug dėmesio, pvz., kepsnius, visus viščiukus, šonkaulius ir kalakutieną. Kad valgio ruošimas būtų dar lengvesnis, pridėkite tokį paprastą garnyrą kaip daržovės ir bulvės.

3. KEPIMAS KARŠTU ORU

Šiltėjant orui kepimo laikas mažės.

Vadovaukitės tolesniais pasiūlymais norėdami mėgautis kepsnine karštu oru.

- Sumažinkite kepimo temperatūrą. Tokiu būdu išvengsite nepageidaujamo įsiliepsnojimo.
- Mėsos termometru nustatykite maisto vidaus temperatūrą. Tai padeda išvengti mėsos perkepimo ir išdžiūvimo.
- Net karštu oru geriausia kepti su uždarytu kepsninės dangčiu.
- Galite išlaikyti maistą karštą įvynioję jį į foliją ir įdėję į izoliuotą šaltkrepsį. Aplink foliją dėkite suglamžytus laikraščius, taip maistas išliks karštas 3–4 val.

KEPSNINĖS TEMPERATŪROS INTERVALAI

Temperatūros rodmenys valdymo skydelyje gali tiksliai nesutapti su termometro rodmenimis. Visos toliau nurodytos temperatūros yra apytikslės ir joms gali turėti įtakos šie veiksniai: išorės aplinkos temperatūra, vėjo stiprumas ir kryptis, naudojamo granuliu kuro kokybė, atidarytas dangtis ir kepamo maisto kiekis.

- **AUKŠTA TEMPERATŪRA (205–260 °C / 401–500 °F)**

Šį intervalą geriausia naudoti skrudinant ir kepant pasirinkus aukštą temperatūrą. Naudokite kartu su kepsninės plokštės (slankiojančia plokštė) norėdami kepti pasirinkę netiesioginę arba tiesioginę liepsną. Atidarius **kepsninės plokštę**, tiesioginė liepsna padės iškepti pusžalius kepsnius, apskrudusias daržoves, česnakinį skrebutį arba zefyrus! Kai **kepsninės plokštė uždaryta**, oras cirkuliuoja aplink cilindrą, tokiu būdu susiformuoja konvekcija. Aukšta temperatūra taip pat naudojama kepsninei pašildyti, kepimo grotelėms nudeginti ir dideliam karščiui pasiekti esant labai šaltam orui.

- **VIDUTINĖ TEMPERATŪRA (135–180 °C / 275–356 °F)**

Šį intervalą geriausia rinkti kepant, skrudinant ir užbaigiant lėto rūkymo maisto kepimą. Kepant šioje temperatūroje, itin sumažės riebalų užsiliepsnojimo rizika. Įsitinkite, kad kepsninės slankiojanti plokštė yra uždaryta ir uždengia angas. Šis intervalas puikiai tinka kepant bet ką, suvyniotą kiaulienoje, arba kai norite universalesnio valdymo.

- **ŽEMA TEMPERATŪRA (82–125 °C / 180–257 °F)**

Šis intervalas skirtas lėtai skrudinti, stiprinti rūkyto maisto skonį ir maistui šiltai laikyti. Sustiprinkite rūkyto maisto skonį ir išlaikykite mėsos sultingumą kepdami ilgiau žemesnėje temperatūroje (taip pat vadinama **ilgesniu kepimu**). Rekomenduojama kepant didelį kalakutą Padėkos dienai, sultingą kumpį Velykoms arba ruošiant didelę šventinę puotą.

Rūkymas yra tikro kepimo ant grotelių variacija ir yra ištis pagrindinis kepimo ant medžio granulėmis kūrenamos kepsninės privalumas. **Karštas rūkymas**, kitas **ilgesnio kepimo** pavadinimas, paprastai atliekamas 82–125 °C (180–257 °F) temperatūroje. Karštas rūkymas labiausiai tinka, kai reikalingas ilgesnis kepimo laikas, pvz., kepant didelius mėsos, žuvies arba vištienos pjausnius.

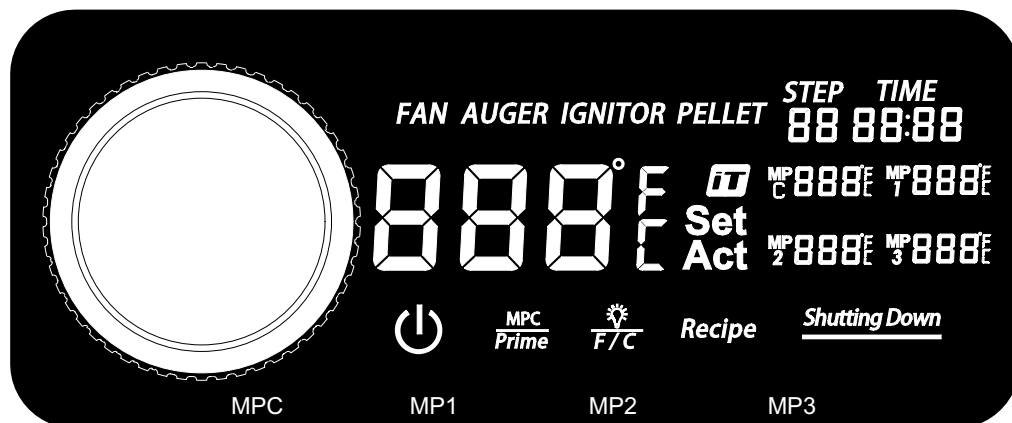
PATARIMAS. Norėdami sustiprinti pikantišką skonį, iškart padėję maistą ant grotelių, pasirinkite žemos temperatūros diapazoną. Taip dūmai įsigers į mėsą.

Svarbu eksperimentuoti su rūkymo trukme, kol maistas baigs kepti. Kai kurie lauko virėjai rūko maistą kepimo pabaigoje, taip maistas išlieka šiltas iki patiekimo. Praktika padeda tobulėti!

VALDYMO PLOKŠTĖS VEIKIMO SUPRATIMAS

Ši skaitmeninė P.I.D. (proporcinė, integruojanti ir diferencijuojanti) valdymo plokštė yra labai panaši į jūsų virtuvinės orkaitės valdiklius. Jos pagrindiniai pranašumai – galimybė automatiškai kompensuoti skirtingas aplinkos sąlygas ir degalų tipus.

SVARBU: bet kurios kepsninės vidaus temperatūra skirtingose vietose labai skirsis. Net sukalibruoti prietaisai gali neveikti darniai.



VALDIKLIS	APRAŠYMAS
	Norėdami įjungti prietaisą, paspauskite šį mygtuką vieną kartą. Taip prasidės automatinis paleidimo ciklas. Norėdami išjungti prietaisą, paspauskite ir palaikykite šį mygtuką trys sekundes. Taip bus suaktyvintas automatinio vėsinimo ciklas. Prijungus prietaisą prie maitinimo šaltinio ir jį įjungus, mygtukas pradės šviesti baltai.
	„Smoke iT“ piktograma nurodo šį su „Wi-Fi“. Ieškant „Wi-Fi“ arba „Bluetooth“ ryšio, „Smoke iT“ piktograma mirksės. Užmezgus „Wi-Fi“ ryšį „Smoke iT“ nebemirksės. Veikiant ryšiui, galite gauti naujausią informaciją apie esamą ir nustatytą kepsninės temperatūrą, kepimo laiką ir mėsos zondu temperatūras. Taip pat galite reguliuoti savo valdymo plokštės nustatymus.
	Šis mygtukas atlieka dvi funkcijas: temperatūros matavimo vienetų keitimo iš apšvietimo. <ol style="list-style-type: none"> Trumpai paspaudę šį mygtuką įjungsite ir išjungsite lemputę kepsninės cilindre. Paspauskite ir palaikykite šį mygtuką tris sekundes, kad aktyvintumėte temperatūros matavimo vienetų jungiklį ir pakeistumėte temperatūros rodmenis. Gali pasirinkti Celsijaus (°C) ir Farenheito (°F) skalę. Numatytoji nuostata – Celsijaus skalė (°C).
	Šis mygtukas atlieka dvi funkcijas: mėsos zondo valdymo (MPC) ir pildymo. <ol style="list-style-type: none"> Trumpai paspaudę šį mygtuką suaktyvinsite programuojamą mėsos zondą – jis jungiamas prie pirmojo mėsos zondo priedo prievado (MPC). Valdiklio rankenėle nustatykite programuojamo mėsos zondo temperatūrą. Dar kartą paspauskite valdiklio rankenėlę, kad patvirtintumėte ir išeitumėte iš programuojamo mėsos zondo nustatymų. Paspauskite ir palaikykite nuspaudę šį mygtuką tris sekundes, kad įjungtumėte rankinį nepertraukiamą granuliu tiekimą į ugnies indą. Atleidus mygtuką, rankinis granuliu tiekimas bus sustabdytas. Tai galima atlikti norint įpilti daugiau kuro į ugnį prieš atidarant cilindro dangtį, tokiu būdu šilumos atgavimo trukmė bus trumpesnė. Šį mygtuką taip pat galima naudoti rūkant, norint padidinti švaraus dūmų skonio intensyvumą. Šios funkcijos paprasė varžybų virėjai.



Valdiklio rankenėlė naudojama norint padidinti, sumažinti ir pasirinkti nustatymo vertę. Pasukite valdiklio rankenėlę, kad pasirinktumėte laiką, temperatūrą arba žingsnį aktyviame nustatymų meniu. Paspauskite valdiklio rankenėlę, kad patvirtintumėte pasirinktą vertę.

888°F Set Act

Centrinis rodmuo nurodo faktinę ir nustatytąją temperatūrą. Faktinė temperatūra rodoma nuolat, nebent reguliuojamas nustatytoji temperatūra. Faktinė temperatūra matuojama pagrindiniame cilindre. Faktinės temperatūros rodmenį nuskaity kepsninės cilindro viduje esantis kepsninės zondas (jutiklis).

Norėdami parodyti nustatytąją temperatūrą, paspauskite valdiklio rankenėlę. Nustatytoji temperatūra rodoma, kai rodmuo mirksi. Norėdami reguliuoti nustatytąją temperatūrą, pasukite valdiklio rankenėlę tiek, kiek reikia. Nustatę reikiamą temperatūrą, paspauskite valdiklio rankenėlę, kad patvirtintumėte nustatytąją temperatūrą, ir vėl bus rodoma faktinė temperatūra.

Recipe

Norėdami suaktyvinti recepto žingsnius, paspauskite mygtuką vieną kartą. Galima nustatyti devynis recepto žingsnius. Naudodami valdiklio rankenėlę, sureguliuokite kiekvieno recepto žingsnio nustatymus.

STEP
88

Rodo dabartinį recepto žingsnį.

TIME
88:88

Rodo recepto žingsniui nustatytą laiką. Norėdami suaktyvinti recepto nustatymus, paspauskite recepto mygtuką. Valdiklio rankenėle perjunkite recepto žingsnius, iš kurių vienas yra laikas.

MP
C 888°F

Parodo programuojamos mėsos zondo faktinę ir nustatytąją temperatūrą – jis jungiamas prie pirmojo mėsos zondo priedo prievado (MPC). Faktinė temperatūra rodoma nuolat, nebent reguliuojamas nustatytoji temperatūra. Paspaudus mygtuką MPC, mirksi pasirinktas mėsos zondo rodmuo ir galima reguliuoti nustatytąją temperatūrą. Kai nenaudojate, atjunkite mėsos zondą nuo jungties lizdo. Bus rodomas kodas „noP“. Galima naudoti tik „Pit Boss® Grills“ prekės ženklo mėsos zondams.

MP
T 888°F
MP
2 888°F
MP
3 888°F

Rodo faktinę mėsos zondo temperatūrą. Šie trys mėsos zondo rodmenys atitinka pasirinktą atitinkamą pasirinktą priedo jungtį. Kai nenaudojate, atjunkite mėsos zondą nuo jungties lizdo. Bus rodomas kodas „noP“. Galima naudoti tik „Pit Boss® Grills“ prekės ženklo mėsos zondams.

Shutting Down

Šis rodmuo rodomas pasirinkus išjungimą. Jis nurodo, kad prasidėjo automatinis atvėsimo ciklas. Pasibaigus atvėsimo ciklui, rodmuo nebebus rodomas.

FAN

FAN (ventiliatoriaus) piktograma rodoma, kai veikia ventiliatorius. Kai mirksi FAN piktograma, ventiliatorius neveikia. Pagalbos ieškokite skyriuje „Trikčių šalinimas“.

AUGER

AUGER (sraigto) piktograma rodoma, kai sraigtas sukasi. Kai mirksi AUGER piktograma, sraigtas neveikia. Pagalbos ieškokite skyriuje „Trikčių šalinimas“.

IGNITOR

IGNITOR (uždegiklio) piktograma rodoma, kai naudojamas uždegiklis. Kai mirksi IGNITOR piktograma, uždegiklis neveikia. Pagalbos ieškokite skyriuje „Trikčių šalinimas“.

PELLET

Kai mirksi ir PELLETT (granulių) piktograma, ugnies inde užgeso ugnis arba piltuvas gali būti tuščias. Pagalbos ieškokite skyriuje „Trikčių šalinimas“.

VALDYMO PLOKŠTĖS FUNKCIJOS

• *KEPSNINĖS TEMPERATŪROS NUSTATYMAS*

Kepsninės zondas matuoja pagrindinio cilindro vidaus temperatūrą. Kai reguliuojama nustatytoji temperatūra, kepsninės zondas išmatuos faktinę temperatūrą pagrindinio cilindro viduje ir nustatys pageidaujamą nustatytąją temperatūrą.

SVARBU: jūsų prietaiso temperatūrą labai veikia oro sąlygos, naudojamų granuliu kokybė, granuliu aromatas ir kepamo maisto kiekis.

NUSTATYTOSIOS TEMPERATŪROS NUSTATYMAS / REGULIAVIMAS

Norėdami reguliuoti pageidaujamą kepsninės nustatytąją temperatūrą, atlikite toliau aprašytus veiksmus.

1. Paspauskite valdiklio rankenėlę. Nustatytosios temperatūros rodmuo pradės mirksėti, kad žinotumėte, jog jis aktyvus.
2. ta pačia valdiklio rankenėle sureguliuokite norimą temperatūrą.
3. Nustatę reikiamą temperatūrą, paspauskite valdiklio rankenėlę, kad patvirtintumėte nustatytąją temperatūrą, ir vėl bus rodoma faktinė temperatūra.

• *KAIP NAUDOTI PROGRAMUOJAMĄ MĖSOS ZONDĄ*

Mėsos zondas matuoja ant grotelių kepamos mėsos vidaus temperatūrą, panašiai kaip temperatūros zondas. Įsmeikite nerūdijančio plieno mėsos zondą į storiausią mėsos dalį. Vidinė mėsos temperatūra rodoma Valdymo plokštės rodmenyje. Prijunkite mėsos zondo adapterį prie mėsos zondo jungties ir įsitikinkite, kad jis iki galo įstatytas į kištuką. Pajusite ir išgirsite, kaip ji spragteli. Šiuo būdu ne tik iškepsite mėsą iki norimos temperatūros, bet ir automatiškai sumažinsite kepsninės temperatūrą iki žemos (82 °C / 180 °F), kad maistas būtų šiltas, kol jį pateiksite. Tiesiog nustatykite ir pamirškite – viskuo pasirūpins mėsos zondas!

PASTABA: kai kišate mėsos zondą į mėsą, įsitikinkite, kad jis ir jo laidai tiesiogiai neliečia ugnies arba karštų paviršių. To nepaisant mėsos zondas gali sugesti. Jei laidas per ilgas, prakiškite jį pro pagrindinio cilindro galines išmetimo angas, pro pagrindinio cilindro viršų (šalia kepsninės dangčio vyrio) arba pro priekinę angą šalia piltuvo. Kai nenaudojate, atjunkite jį nuo mėsos zondo jungties lizdo ir saugiai įstatykite į anga piltuvo rankenoje, kad jis būtų saugus ir švarus.

PROGRAMUOJAMO MĖSOS ZONDO NUSTATYMAS / REGULIAVIMAS

Norėdami užprogramuoti pageidaujamą programuojamo mėsos zondo nustatytąją temperatūrą, atlikite šiuos veiksmus:

1. Trumpai paspauskite MPC mygtuką, kad įjungtumėte programuojamą mėsos zondą. Jam įsijungus, pradės mirksėti mėsos zondo temperatūros rodmuo.
2. Ta pačia valdiklio rankenėle sureguliuokite norimą nustatytąją temperatūrą.
3. Pasiekę pageidaujamą pasirinkto mėsos zondo nustatytąją temperatūrą, dar kartą paspauskite valdiklio rankenėlę, kad patvirtintumėte ir išeitumėte iš programuojamo mėsos zondo nustatymų.

• RECEPTO NUSTATYMAS

Recepto funkcija suteikia naudotojui galimybę užprogramuoti kepimo instrukcijas, vadinamas recepto žingsniais, kad valdymo plokštė galėtų stebėti ir veikti automatiškai. Šios kepimo instrukcijos yra kepimo temperatūros ir laiko derinys. Pradėdama nuo pirmojo recepto žingsnio (01) valdymo plokštė atliks visus recepto žingsnius, kol iškeps maistą. Atlikusi visus recepto žingsnius, valdymo plokštė automatiškai įjungs žemą temperatūrą (82 °C / 180 °F), kad jūsų maistas išliktų šiltas iki patiekimo. Iš viso galima suprogramuoti devynis recepto žingsnius.

KAIP UŽPROGRAMUOTI RECEPTO ŽINGSNĮ

Norėdami nustatyti vieną ar kelis recepto žingsnius, atlikite toliau nurodytus veiksmus.

1. Paspauskite ir palaikykite recepto mygtuką. Recepto mygtukas pradės mirksėti, nurodydamas, kad įjungti recepto nustatymai. Tai taip pat bus įjungti recepto žingsniai, o tai patvirtins įsijiebusi raidė S.
 - Valdiklio rankenėle pasirinkite recepto žingsnį. Pradėkite nuo pirmojo recepto žingsnio (01).
 - Pasiekę norimą recepto žingsnį, paspauskite valdiklio rankenėlę, kad pereitumėte prie kito nustatymo.
 2. Nustatykite laiko valandas. Laiko rodmens valandos pradės mirksėti, nurodydamos, kad jos pasirinktos.
 - Valdiklio rankenėle pasirinkite pageidaujamas valandas.
 - Pasiekę norimas valandas, paspauskite valdiklio rankenėlę, kad pereitumėte prie kito nustatymo.
 3. Nustatykite laiko minutes. Laiko minučių rodmuo pradės mirksėti, kad žinotumėte, jog jis pasirinktas.
 - Valdiklio rankenėle pasirinkite pageidaujamas minutes.
 - Pasiekę norimas minutes, paspauskite valdiklio rankenėlę, kad pereitumėte prie kito nustatymo.
 4. Nustatykite temperatūrą. Centrinis temperatūros rodmuo pradės mirksėti, kad žinotumėte, jog jis pasirinktas.
 - Valdiklio rankenėle pasirinkite pageidaujamą temperatūrą.
 - Pasiekę norimą temperatūrą, paspauskite ir palaikykite recepto mygtuką, kad užrakintumėte visus to recepto žingsnio nustatymus.
 - Norėdami nustatyti kitą recepto žingsnį, trumpai paspauskite recepto mygtuką, kad pasirinktumėte kitą recepto žingsnį, jei programuojate kelis recepto žingsnius. Pagal poreikį pakartokite ankstesnius žingsnius.
- Arba
- Dar kartą palaikykite nuspaudę recepto mygtuką, kad išeitumėte iš recepto nustatymų ir paleistumėte receptą. Recepto mygtukas nustos mirksėti.

PASTABA: išjungus prietaisą, recepto žingsniai bus anuliuoti.

PRIJUNGIMAS PRIE PROGRAMĖLĖS „SMOKE IT®“

Vadovaukitės šiomis instrukcijomis, kaip prijungti kepsninę prie programėlės „Smoke iT®“ „Android™“ arba „iOS®“ įrenginyje. Programėlė jums leis valdyti ir stebėti kepsninės ir mėsos zondų temperatūras mobiliuoju įrenginiu. Naudokitės „Smoke IT®“ mobiliojo ryšio privalumais!

1. Atsisiųskite programėlę „Smoke iT®“. Atidarykite programėlę ir leiskite įjungti „Bluetooth®“, kad pavyktu atlikti sąranką. Naujiems naudotojams reikės sukurti paskyrą ir vadovautis prisijungimo nurodymais.
2. Jei esate „Bluetooth®“ aprėpties diapazone (9 m / 30 pėd.), programėlė „Smoke iT®“ automatiškai aptiks jūsų kepsninę. Pasirinkite kepsninės modelį. Jei ekrane nematote savo kepsninės, įsitikinkite, kad prietaisas prijungtas prie maitinimo šaltinio ir įjungtas.
3. Pavadinkite savo kepsninės modelį (pvz., „Mano kepsninė“) programėlėje ir pasirinkite „Connect“ (prijungti) ekrano apačioje. Taip kepsninės modelis bus įrašytas įrenginių meniu.
4. Įrenginių meniu spustelėkite kepsninės modelį, prie kurio norite prisijungti. Tada atsidarys valdymo plokštės ekranas.
5. Spustelėkite nustatymų parinktį (krumpliaračį) viršutiniame dešiniajame kampe, įveskite „Wi-Fi“ kredencialus ir spustelėkite žymės langelį ekrano apačioje, kad prisijungtumėte. Tada įrenginių meniu pasirodys „Bluetooth®“ ir „Wi-Fi“ (debesies) piktogramos, kurios nurodys, kad kepsninė prijungta.

Naudojant programėlę, ekranas ryškiai švies, kai kepsninė bus aktyvi ir prijungta. Jei programėlės arba kepsninės ekranas užgęsta įrenginių meniu, patikrinkite belaidį ryšį arba maitinimo šaltinį.

PILTUVO PILDYMO PROCEDŪRA

Šiomis instrukcijomis reikia vadovautis pirmą kartą uždegus kepsninę ir kiekvieną kartą, kai kepsninės piltuve nebėra granulių. Sraigtas turi būti pildomas, kad granulės keliautų per visą sraigatą ir užpildytų tiekimo sistemą. **Nepripildžius uždegiklis nustos veikti neuždegus granulių, todėl nebus jokios liepsnos.** Pildykite piltuvą atlikdami šiuos veiksmus:

1. Atidarykite pagrindinio cilindro dangtį. Išimkite visus kepimo komponentus iš kepsninės vidaus. Padėkite ugnies indą pagrindinio cilindro apačioje. Patikrinkite, ar ugnies inde nėra jokių kliūčių, kad jis būtų tinkamai uždegtas.
2. Prijunkite kištuko laidą prie maitinimo šaltinio. Norėdami įjungti prietaisą paspauskite maitinimo mygtuką. Patikrinkite šiuos dalykus:
 - Ar girdite, kaip sukasi sraigtas. Padėkite ranką virš ugnies indo ir patikrinkite, ar jaučiate oro judėjimą. Nekiškite rankos arba pirštų į ugnies indą. Kitaip susižalosite.
 - Praėjus maždaug minutei, užuosite degantį uždegiklį ir pradėsite jausti ugnies inde šiltėjantį orą. Uždegiklis nešviečia raudonai, tačiau labai įkaista ir gali nudeginti. Nelieskite uždegiklio.
3. Įsitikinę, kad visi elektriniai komponentai veikia tinkamai, paspauskite ir tris sekundes palaikykite maitinimo mygtuką, tada išjunkite įrenginį.
4. Atidarykite piltuvo dangtį. Įsitinkite, kad piltuve arba sraigtinėje tiekimo sistemoje nėra jokių pašalinių objektų. Įpilkite į piltuvą sausų ir visiškai natūralių kietmedžio granulių.
5. Paspauskite maitinimo mygtuką ir iš naujo įjunkite prietaisą. Numatytoji grilio paleidimo ciklo temperatūra yra 176 °C / 350 °F, todėl jis pradės kaisti. Paspauskite ir laikykite nuspaudę pildymo mygtuką, kol pamatysite granules, byrančias iš sraigto vamzdžio į kepsninę. Granulėms pradėjus kristi į ugnies indą, atleiskite pildymo mygtuką.
6. Paspauskite ir tris sekundes palaikykite maitinimo mygtuką, kad išjungtumėte įrenginį.
7. Sumontuokite kepimo komponentus į pagrindinį cilindrą. Dabar kepsninė paruošta naudoti.

NAUDOJIMAS PIRMĄ KARTĄ – KEPSNINĖS NUDEGINIMAS

Pripildžius piltuvą ir prieš kepančią kepsninę pirmą kartą, svarbų atlikti kepsninės nudeginimą. Įjunkite kepsninę ir leiskite veikti pasirinkę bet kokią temperatūrą virš 176 °C / 350 °F (nuleidus dangtį) 30–40 min., kad nudegintumėte kepsninę ir pašalintumėte bet kokias pašalines medžiagas.

AUTOMATINIO PALEIDIMO TVARKA

1. Prijunkite maitinimo laidą prie įžeminto maitinimo šaltinio. Atidarykite pagrindinio cilindro dangtį. Patikrinkite, ar ugnies inde nėra jokių kliūčių, kad jis būtų tinkamai uždegtas. Atidarykite piltuvo dangtį. Įsitinkite, kad piltuve arba sraigtinėje tiekimo sistemoje nėra jokių pašalinių objektų. Įpilkite į piltuvą sausų ir visiškai natūralių kietmedžio granulių.
2. Paspauskite maitinimo mygtuką ir įjunkite prietaisą. Taip suaktyvinsite paleidimo ciklą. Sraigtinė tiekimo sistema pradės sukurti, uždegiklis pradės šviesti ir ventilatorius tiesks orą į ugnies indą. Vykdamas paleidimo ciklą, kepsninė pradės išskirti dūmus. Paleidimo ciklo metu cilindro dangtis turi būti atidarytas. Norėdami patikrinti, ar paleidimo ciklas prasidėjo tinkamai, paklauskite, ar girdite užimo garsą, ir pastebite skleidžiamą šilumą.
3. Tirštiesiems baltiems dūmams išsiskleidžius, paleidimo ciklas baigtas ir galite naudoti kepsninę pasirinkę pageidaujamą temperatūrą!

KEPSNINĖS IŠJUNGIMAS

1. Baigę kepti, laikydami pagrindinio korpuso dangtį uždarytą, paspauskite ir palaikykite maitinimo mygtuką tris sekundes, kad išjungtumėte prietaisą. Kepsninė persijungs į automatinio vėsinimo ciklą. Sraigtinė sistema nebetieks kuro, liepsna baigs degti, o ventilatorius ir toliau veiks, kol baigsis vėsinimo ciklas.

PRIEŽIŪRA IR TECHNINĖ PRIEŽIŪRA

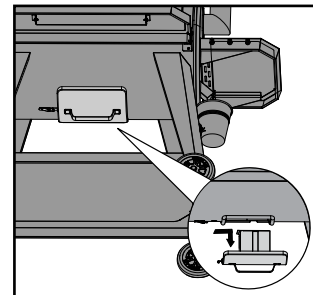
ĮSPĖJIMAS. Visada atjunkite elektros laidą prieš atidarydami kepsninę, kad atliktumėte apžiūrą, valymą arba techninę priežiūrą. Įsitinkinkite, kad kepsninė visiškai atvėsusi. Taip išvengsite susižalojimo.

Bet kurį „Pit Boss®“ prietaisą galėsite ilgai naudoti laikydamiesi minimalių valymo reikalavimų. Vadovaukitės šiais valymo ir techninės priežiūros patarimais atlikdami savo kepsninės priežiūrą:

1. PELENŲ VALYMAS

- Kepsninės cilindro apačioje yra pelenų valymo stalčiukas, kuris suteikia galimybę lengvai pasiekti ugniadėžę vos prireikus. Norėdami išvalyti, atkabinkite sąvaros skląstį nuo pelenų stalčiuko kilpos. Laikydami rankeną, ištraukite pelenų stalčiuką iš sąvaros ir patraukite žemyn, kad išimtumėte. Ištuštinę, įstatykite pelenų stalčiuką, įkeldami jį atgal kepsninės cilindro dugną, įstumdami pelenų stalčiuką į sąvarą, tada užfiksuokite pelenų stalčiuko kilpą sąvaros skląščiu.

ĮSPĖJIMAS: šią funkciją galima naudoti tik atvėsus kepsninei.



2. PILTUVO BLOKAS

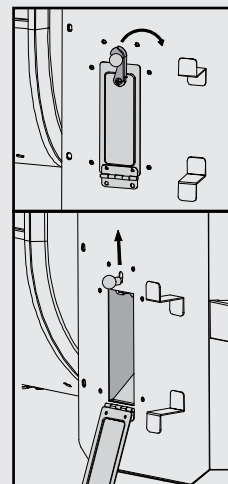
- Rekomenduojama iš sraigtinės sistemos pašalinti visas granules, jei kepsninė ilgą laiką bus nenaudojama. Tiesiog leiskite veikti kepsninei nepildydami piltuvo, kol visos granulės bus pašalintos iš sraigto vamzdžio.
- Patikrinkite ir nuvalykite visas nuosėdas nuo ventiliatoriaus oro įsiurbimo angos, esančios piltuvo apačioje. Nuėmę piltuvo prieigos skydelį (diagramos ieškokite **elektros laidų schema**), atsargiai nuvalykite tiesiai ant ventiliatoriaus menčių susikaupusius riebalus. Taip užtikrinsite, kad tiekimo sistemai tiekiamas pakankamas oro srautas.

PILTUVO VALYMO FUNKCIJA

Piltuve yra valymo funkcija, leidžianti lengvai išvalyti ir pakeisti medžio granulių kuro aromatą. Norėdami ištuštinti, atlikite toliau nurodytus veiksmus.

1. Raskite piltuvo gale esančias valymo dureles ir durelių kabliuką.
2. Pasukite viršuje esantį durelių kabliuką į dešinę, kad jis atsikabintų nuo atleidimo skląščio. Po valymo durelėmis padėkite švarų, tuščią kibirą ir leiskite durelėms nusileisti. Norėdami atidaryti plokštę, kad granulės išbyrėtų iš piltuvo, pakelkite atleidimo skląstį.
3. Ištuštinus, rankomis įstumkite išpylimo plokštę atgal. Ji užsifiksuos. Uždarykite valymo dureles ir užkabinkite durelių kabliuką atgal ant skląščio iškyšos, kad užfiksuotumėte.

PASTABA: naudokite šepetį ilga rankena arba dulkių siurbį norėdami pašalinti granulių, pjuvenų ir nuosėdų perteklių bei užtikrinti visišką piltuvo išvalymą.



3. ZONDAI

- Susisukę arba susilankstę zondo laidai gali lemti gedimą. Nenaudojamo mėsos zondo laidai turi būti susukti ant didelės, laisvos ritės
- Nors kepsninės ir mėsos zondai pagaminti iš nerūdijančiojo plieno, nedėkite jų į indaplovę arba nemerkite į vandenį. Dėl vandens pažeistų vidinių laidų zonde įvyks trumpasis jungimas, lemiantis klaidingus rodmenis. Jei zondas sugedęs, jį reikia pakeisti.

4. VIDINIAI PAVIRŠIAI

- Rekomenduojama valyti ugnies indą po kelių naudojamų. Taip užtikrinsite tinkamą uždegimą ir išvengsite kietų nuosėdų arba pelenų kaupimosi ugnies inde.
- Kepstinės valymo šepetiu ilga rankena pašalinkite maisto likučius arba susikaupusias nuosėdas nuo kepimo grotelių. Geriausia tai atlikti, kai jos vis dar šiltos po paskutinio kepimo. Riebalai užsidega dėl didelio kiekio nuosėdų ant kepsninės kepimo komponentų. Reguliariai valykite kepsninę. Užsidegus riebalams, neatidarykite kepsninės dangčio, kad liepsna užsloptų. Jei liepsna greitai neužgesa, atsargiai išimkite maistą, išjunkite kepsninę ir uždarykite dangtį, kol jis visiškai užges. Jei įmanoma, pabarstykite šiek tiek kepimo sodos.
- Dažnai tikrinkite riebalų surinkimo kibirelį ir valykite pagal poreikį. Atsižvelkite į kepimo tipą.

SVARBU: dėl didelio karščio neuždenkite kepsninės plokščių arba zondu aliuminio folija.

5. IŠORINIAI PAVIRŠIAI

- Po priekine lentyna yra nuimama plokštė valymui. Iš apačios stumkite pagrindo plokštę link pagrindinės statinės, kad ją nuimtumėte. Išvalykite, tada įstumkite atgal.
- Kiekvieną kartą panaudoję nuvalykite kepsninę. Riebalus pašalinkite šiltu muiluotu vandeniu. Nenaudokite orkaitių valiklio, braižančių valymo priemonių arba valymo kempinėlių valydami išorinius kepsninės paviršius. **Garantija nėra taikoma jokiems dažytiems paviršiams. Jiems taikoma bendroji techninė priežiūra ir išlaikymas.** Jei ant dažyto paviršiaus yra įbrėžimų, jis nusidėvėjęs arba trupa, visus paviršius galima atnaujinti naudojant dideliam karščiui atsparius kepsninės dažus.
- Kad visiškai apsaugotumėte kepsninę, naudokite kepsninės uždangalą! Uždangalas geriausiai apsaugo nuo oro ir išorės teršalų. Kai nenaudojate arba laikote ilgesnį laiką, uždenkite prietaisą uždangalu ir pastatykite garaže arba pašiūrėje.



VALYMO DAŽNIO TVARKARAŠTIS (IPRASTAS NAUDOJIMAS)

DALIS	VALYMO DAŽNIS	VALYMO BŪDAS
Pagrindinio korpuso apačia	Kas 5–6 kepimus	Pašalinkite, išsiurbkite nuosėdų perteklių
Ugnies indas	Kas 2–3 kepimus	Pašalinkite, išsiurbkite nuosėdų perteklių
Kepimo grotelės	Po kiekvieno kepimo	Nudeginkite likučius, nuvalykite žalvariniu šepetiu
Kepsninės plokštė	Kas 5–6 kepimus	Nugramdykite pagrindinę plokštę ir slankiojančią plokštę, nenuplaukite
Lentynos	Po kiekvieno kepimo	Šveitimo kempinėle ir muiluotas vanduo
Riebalų surinkimo kibirelis	Po kiekvieno kepimo	Šveitimo kempinėle ir muiluotas vanduo
Sraigtinė tiekimo sistema	Ištuštėjus granulių maišui	Leiskite sraigtui išstumti pjuvenas, kol piltuve nieko nebeliks
Piltuvo elektriniai komponentai	Kartą per metus	Išvalykite dulkes iš vidaus, nuvalykite ventilatoriaus mentes muiluotu vandeniu
Oro įsiurbimo anga	Kas 5–6 kepimus	Nuvalykite dulkes, naudokite šveitimo kempinėle ir muiluotą vandenį
Kepsninės zondas	Kas 2–3 kepimus	Šveitimo kempinėle ir muiluotas vanduo

PATARIMAI IR METODAI

Norėdami geriau pažinti savo kepsninę, vadovaukitės toliau pateikiamais naudingais „Pit Boss®“ savininkų, mūsų darbuotojų ir tokių pačių kaip jūs klientų patarimais bei metodais.

1. MAISTO SAUGA

- Virtuvėje ir kepimo zonoje palaikykite švarą. Iškeptai mėsa naudokite lėkštes ir įrankius, kurių nenaudojote žaliai mėsa ruošti arba perkelti ant kepsninės. Tokiu būdu išvengsite kryžminio užteršimo bakterijomis. Kiekvienam marinatui arba šlakstomam padažui naudokite atskirą įrankį.
- Karšti maisto produktai turi išlikti karšti (virš 60 °C / 140 °F), o šalti maisto produktai turi išlikti šalti (žemiau 3 °C / 37 °F).
- Marinato niekada nelaikykite, kad panaudotumėte vėliau. Jei patieksite jį kartu su mėsa, prieš patiekdami jį užvirinkite.
- Iškeptų maisto produktų nelaikykite karštyje ilgiau nei valandą. Nelaikykite karštų maisto produktų ne šaldytuve ilgiau nei dvi valandas.
- Atšildykite ir marinuokite mėsą šaldydami. Neatšildykite mėsos kambario temperatūroje arba padėję ant spintelės. Bakterijos greitai veisiasi ir dauginasi šiltuose bei drėgnuose maisto produktuose. Kruopščiai nusiaplaukite rankas karštu muiluotu vandeniu prieš ruošdami maistą ir apdoroję šviežią mėsą, žuvį ir paukštieną.

2. PASIRUOŠKITE KEPIMUI

- Būkite pasiruošę arba kaip sako prancūzai „*Mise en Place*“. Tai reiškia, kad prieš pradėdami kepti turite būti pasiruošę kepimo receptą, kurą, priedus, įrankius, reikmenis ir visus ingredientus. Taip pat prieš uždegdami kepsninę perskaitykite receptą nuo pradžių iki galo.
- Rekomenduojame po kepsnines padėti kilimėlj. Po kepsnines padėtas kilimėlis apsaugo dangą, vidaus kiemą arba akmeninę platformą nuo nelaimingų atsitikimų ir taškymosi kepimo metu. Tokiu būdu išvengsite riebalų dėmių ir netyčinių išpylimų.

3. KEPIMO PATARIMAI IR METODAI

- Sustiprinkite rūkytos mėsos skonį kepdami ilgiau žemesnėje temperatūroje (taip pat vadinama *ilgesniu kepimu*). Mėsos skaidulos „užsidaro“, kai jos vidaus temperatūra pasiekia 49 °C (120 °F). Mėsos šlakstymas arba valymas yra puikus būdas neleisti jai išdžiūti.
- Kai mėsą apskrudinate, kepkite uždare dangtį. Visada mėsos termometru nustatykite kepimo maisto vidaus temperatūrą. Maisto rūkymui naudojant kietmedžio granules, mėsa ir vištiena taps rožinė. Rožinė juostelė (po kepimo) vadinama „*dūmų žiedu*“ ir virėjai už ją gauna didelius prizus.
- Padažai, kuriuose yra cukraus, tepami baigiant kepti, kad jie nesudegtų ir neužsidegtų.
- Tarp maisto ir cilindro galų palikite šiek tiek laisvos vietos, kad užtikrintumėte tinkamą šilumos srautą. Per didelį maisto kiekį ant kepsninės reikės kepti ilgiau.
- Mėsą apverskite žnyplėmis ilgomis rankenomis, o mėsainius ir žuvį – mentele. Tokiu smailiu įrankiu, kaip šakutė, galite perdurti mėsą, kad iš jos ištekėtų sultys.
- Giliuose induose esantis maistas keps ilgiau nei ant negilios skardos padėtas maistas.
- Puiki mintis padėti iškeptą maistą ant šildomos lėkštės, kad jis išliktų šiltas. Prieš tiekdami raudoną mėsą, pavyzdžiui, kepsnius, leiskite jai pastovėti kelias minutes. Tokiu būdu paviršiuje esančios sultys grįš atgal į mėsos vidurį ir pridės daugiau skonio.

GEDIMŲ DIAGNOSTIKA IR ŠALINIMAS

Tinkamai valydami, atlikdami techninę priežiūrą ir naudodami švarų, sausą bei kokybišką kurą, išvengsite dažnų veikimo problemų. Jei jūsų „Pit Boss®“ kepsninė veikia prastai arba retai ją naudojate, jums gali praversti toliau pateikti gedimų diagnostikos ir šalinimo patarimai. DUK rasite apsilankę www.pitboss-grills.com. Jei reikia pagalbos, taip pat galite susisiekti su įgaliotuoju „Pit Boss®“ pardavėju arba klientų aptarnavimo tarnyba.

ĮSPĖJIMAS. Prieš atidarydami kepsninę norėdami apžiūrėti, išvalyti arba atlikti techninę priežiūrą, visada atjunkite elektros laidą. Įsitikinkite, kad kepsninė visiškai atvėsusi. Taip išvengsite susižalojimo.

PROBLEMA	PRIEŽASTIS	SPRENDIMAS
Valdymo plokštėje nešviečia maitinimo lemputė	Neprijungta prie maitinimo šaltinio	Įsitikinkite, kad prietaisas prijungtas prie veikiančio maitinimo šaltinio. Nustatykite pertraukiklį iš naujo. Įsitikinkite, kad GFCI naudoja mažiausiai 10 A srovę (žr. elektros laidų schema dėl prieigos prie elektros komponentų). Įsitikinkite, kad visi laidai tvirtai prijungti ir yra sausi.
	Išmuštas valdymo plokštės saugiklis	Nuimkite piltuvo prieigos plokštę (žr. elektros laidų schema), įspauskite plastikinę ąselę, laikančias valdymo plokštę, ir atsargiai traukite valdiklį, esantį piltuve, kad atlaisvintumėte. Patikrinkite, ar saugiklyje nėra sugedusio arba pajuodusio laido. Jei yra, rankiniu būdu pakeiskite saugiklį.
	Sugedusi valdymo plokštė	Valdymo plokštę reikia pakeisti. Dėl atsarginės dalies susisiekite su klientų aptarnavimo tarnyba.
Liepsna ugnies inde neužsidega	Sraigtas nėra pripildytas	Prieš naudodami prietaisą pirmą kartą arba piltuvui visiškai ištuštėjus, sraigta reikia pripildyti, kad granulės užpildytų sraigto vamzdį. Nepripildžius uždegiklis nustos veikti granulėms nepasiekus ugnies indo. Vadovaukitės piltuvo pildymo procedūra .
	Sraigto variklis užstrigęs	Išimkite kepimo komponentus iš pagrindinio cilindro. Įjunkite prietaisą paspausdami maitinimo mygtuką ir apžiūrėkite sraigtinę tiekimo sistemą. Apžiūrėkite, ar sraigtas meta granulės į ugnies indą. Jei jis veikia netinkamai, susisiekite su klientų aptarnavimo tarnyba dėl pagalbos arba atsarginės dalies.
	Uždegiklio gedimas	Išimkite kepimo komponentus iš pagrindinio cilindro. Įjunkite prietaisą paspausdami maitinimo mygtuką ir apžiūrėkite uždegiklį. Pasižiūrėkite, ar uždegiklis veikia, palaikydami ranką virš ugnies indo – turėtumėte jausti šilumą. Apžiūrėkite, ar uždegiklis ugnies inde išsikišęs maždaug per 13 mm (0,5 col.). Jei jis veikia netinkamai, susisiekite su klientų aptarnavimo tarnyba dėl pagalbos arba atsarginės dalies.
Nepavyksta sureguliuoti faktinės temperatūros rodmens	Nešvarus kepsninės zondas	Vadovaukitės techninės priežiūros instrukcijomis.
	Kepsninės zondas sulūžęs	Kepsninės zondą reikia pakeisti. Susisiekite su klientų aptarnavimo tarnyba.
Kepsninė nepasiekia arba nepalaiko stabilios temperatūros	Per ugnies indą teka nepakankamas oro srautas	Patikrinkite, ar ugnies inde nėra susikaupusių pelenų arba kliūčių. Jei yra susikaupusių pelenų, vadovaukitės techninės priežiūros instrukcijomis . Patikrinkite ventiliatorių. Įsitikinkite, kad jis tinkamai veikia ir oro įsiurbimo anga nėra blokuojama. Jei ventiliatorius nešvarus, vadovaukitės techninės priežiūros instrukcijomis. Patikrinkite sraigto variklį, kad patvirtintumėte, jog jis veikia, ir įsitikinkite, kad sraigto vamzdis nėra užsikimšęs. Atlikę visus aukščiau nurodytus veiksmus, paleiskite kepsninę, nustatykite temperatūrą ties SMOKE (rūkymas) ir palaukite 10 minučių. Patikrinkite, ar liepsna yra šviesi ir ryški.
	Trūksta kuro, prasta kuro kokybė, kliūtys tiekimo sistemoje	Piltuve patikrinkite, ar kuro lygis pakankamas, ir papildykite, jei reikia. Jei medžio granulių kokybė prasta arba granulės per ilgos, jos gali užkimšti tiekimo sistemą. Pašalinkite granulės ir vadovaukitės techninės priežiūros instrukcijomis.
	Kepsninės zondas	Patikrinkite kepsninės zondo būklę. Jei jis nešvarus, vadovaukitės techninės priežiūros instrukcijomis. Jei zondas pažeistas, kreipkitės į klientų aptarnavimo tarnybą dėl atsarginės dalies.

Kepsninė išskiria per daug arba išblukusių dūmų	Susikaupė riebalų	Vadovaukitės techninės priežiūros instrukcijomis.
	Medžio granulių kokybė	Išimkite sudrėkusias medžio granules iš piltuvo. Norėdami išvalyti, vadovaukitės techninės priežiūros instrukcijomis. Pakeiskite sausomis medžio granulėmis.
	Ugnies indas užsikimšo	Išvalykite ugnies indą, kad jame neliktų drėgnų medžio granulių. Vadovaukitės piltuvo pildymo procedūra .
	Ventiliatorius įsiurbia nepakankamai oro	Patikrinkite ventiliatorių. Įsitinkite, kad jis tinkamai veikia, ir oro įsiurbimo anga nėra blokuojama. Jei ventiliatorius nešvarus, vadovaukitės techninės priežiūros instrukcijomis.
Dažni užsiliepsnojimai	Kepimo temperatūra	Bandykite kepti žemesnėje temperatūroje. Riebalams būdinga pliūpsnio temperatūra. Išlaikykite mažesnę nei 176 °C (350 °F) kepdami itin riebę maistą.
	Riebalų susikaupimas ant kepimo komponentų	Vadovaukitės techninės priežiūros instrukcijomis.
„ErP“ klaidos kodas	Po paskutinio prijungimo prie maitinimo šaltinio prietaisas netinkamai išjungtas	Saugos funkcija neleidžia automatiškai paleisti iš naujo. Paspauskite ir tris sekundes palaikykite maitinimo mygtuką, kad išjungtumėte įrenginį, palaukite dvi minutes, tada dar kartą paspauskite maitinimo mygtuką, kad įjungtumėte įrenginį. Pasukite į norimą temperatūrą. Jei klaidos kodas vis tiek rodomas, susisiekite su klientų aptarnavimo tarnyba.
	Veikiant prietaisui nutrūko elektros energijos tiekimas	
„ErH“ klaidos kodas	Prietaisas perkaito galimai dėl užsidegusių riebalų arba per didelio kuro kiekio	Paspauskite ir tris sekundes palaikykite maitinimo mygtuką, kad išjungtumėte prietaisą ir leiskite griliui atvėsti. Vykdysite priežiūros instrukcijas. Po priežiūros išimkite granules ir patvirtinkite visų komponentų padėtį. Kai prietaisas atvės, paspauskite maitinimo mygtuką, kad jį įjungtumėte, tada pasirinkite norimą temperatūrą. Jei klaidos kodas vis tiek rodomas, susisiekite su klientų aptarnavimo tarnyba.
„ErL“ klaidos kodas	Kepsninė nepradeda paleidimo ciklo	Patikrinkite, ar kepimo komponentai tinkamų padėčių. Patikrinkite piltuvą, ar jame yra pakankamai kuro, ir ar tiekimo sistemoje nėra kliūčių. Pašalinkite granules ir vadovaukitės techninės priežiūros instrukcijomis. Patikrinkite kepsninės zondą. Patikrinkite, ar faktinė temperatūra yra teisinga ir tiksliai. Jei jis nešvarus, vadovaukitės techninės priežiūros instrukcijomis. Patikrinkite uždegiklio padėtį ir įkaitimą. Esant labai šaltam orui, kepsninę gali reikėti paleisti antrą kartą. Išjunkite kepsninę, palaukite, tada vėl įjunkite. Patikrinkite ventiliatorių. Įsitinkite, kad jis veikia tinkamai. Jei jis nešvarus, vadovaukitės techninės priežiūros instrukcijomis.
	Kepsninė užgęsta	
PELLET (granulių) klaidos kodas	Trūksta kuro, prasta kuro kokybė, kliūtys tiekimo sistemoje, užstrigęs sraigtas	Piltuve patikrinkite, ar kuro lygis pakankamas, ir papildykite, jei reikia. Jei medžio granulių kokybė prasta arba granulės per ilgos, jos gali užkimšti tiekimo sistemą. Pašalinkite granules ir vadovaukitės techninės priežiūros instrukcijomis.
IGNITOR (uždegiklis) klaidos kodas	Uždegiklis veikia netinkamai, neužmezgamas ryšys	Išimkite kepimo komponentus iš pagrindinio cilindro. Įjunkite prietaisą paspausdami maitinimo mygtuką ir apžiūrėkite uždegiklį. Pasižiūrėkite, ar uždegiklis veikia, palaikydami ranką virš grotelių – turėtumėte jausti šilumą. Apžiūrėkite, ar uždegiklis yra sulygiuotas su grotelių anga ir atidarytas, tada uždegtų granules. Jei jis veikia netinkamai, susisiekite su klientų aptarnavimo tarnyba dėl pagalbos arba atsarginės dalies.
	Uždegiklio gedimas	Reikia pakeisti uždegiklį. Dėl atsarginės dalies susisiekite su klientų aptarnavimo tarnyba.
AUGER (sraigto) klaidos kodas	Sraigtas nėra pripildytas	Prieš naudojant prietaisą pirmą kartą ir kaskart piltuvui visiškai ištuštėjus, sraigta reikia pripildyti, kad granulės užpildytų ugnies indą. Nepripildžius uždegiklis nustos veikti dar prieš granulėms užsidegant. Vadovaukitės piltuvo pildymo procedūra .
	Sraigto variklis užstrigęs, neužmezgamas ryšys	Išimkite kepimo komponentus iš pagrindinio cilindro. Įjunkite prietaisą paspausdami maitinimo mygtuką ir apžiūrėkite sraigtinę tiekimo sistemą. Apžiūrėkite, ar sraigtas meta granules į ugnies indą. Jei jis veikia netinkamai, susisiekite su klientų aptarnavimo tarnyba dėl pagalbos arba atsarginės dalies.
FAN (ventiliatoriaus) klaidos kodas	Ventiliatorius veikia netinkamai, neužmezgamas ryšys	Patikrinkite ventiliatorių. Įsitinkite, kad jis tinkamai veikia, ir oro įsiurbimo anga nėra blokuojama. Nuimkite piltuvo prieigos plokštę (žr. elektros laidų schema) ir patikrinkite, ar ventiliatoriaus laidai nepažeisti. Jei ventiliatoriaus mentės nešvarios, vadovaukitės techninės priežiūros instrukcijomis.

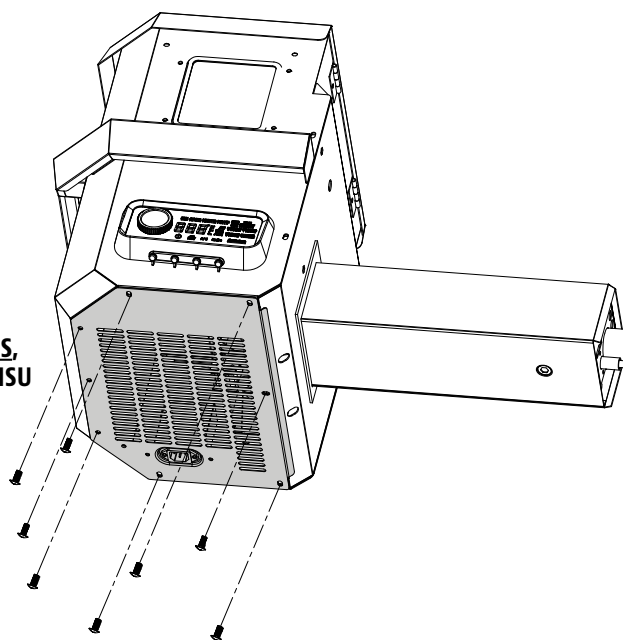
ELEKTROS LAIDŲ SCHEMA

Skaitmeninės valdymo plokštės sistema yra sudėtinga ir vertinga technologija. Norėdami ją apsaugoti nuo viršįtampių ir trumpųjų jungimų, žiūrėkite toliau pateiktą laidų schemą ir įsitinkite, kad maitinimo šaltinio pakanka jūsų prietaiso veikimui.

PB – ELEKTROS REIKALAVIMAI 220–240 V, 50 Hz, 275 W, ĮŽEMINTAS KIŠTUKAS

PASTABA. Elektros komponentai, su kuriais buvo atliktas produktų saugumo patikrinimas ir sertifikavimas, atitinka $\pm 5-10$ proc. tikrinimo nuokrypį.

RASKITE IR IŠIMKITE
AŠTUONIS VARŽTUS
IŠ PRIEIGOS PLOKŠTĖS,
ESANČIOS PO PRIETAISU



**KURO
PADAVIMO
SRAUTAS:**
2,0 KG/VAL
(4,4 SVAR./VAL)

VALDYMO PLOKŠTĖ

ĮŽEMINTAS
MAITINIMO
LAIDAS

Į KITĄ DETALĘ
ĮEINANTIS
ADAPTERIS

ĮŽEMINIMAS

UŽDEGIKLIO KOMPLEKTAS /
HD KASSETINIS KAITINIMO
ELEMENTAS

200 W, 230 V, 9,5MM X 127MM
(0,375 X 5,000 COL.)

SRAIGTO VARIKLIS IR
TIEKIMO SISTEMA

230 V, 50 Hz,
2 APS./MIN. VARIKLIS

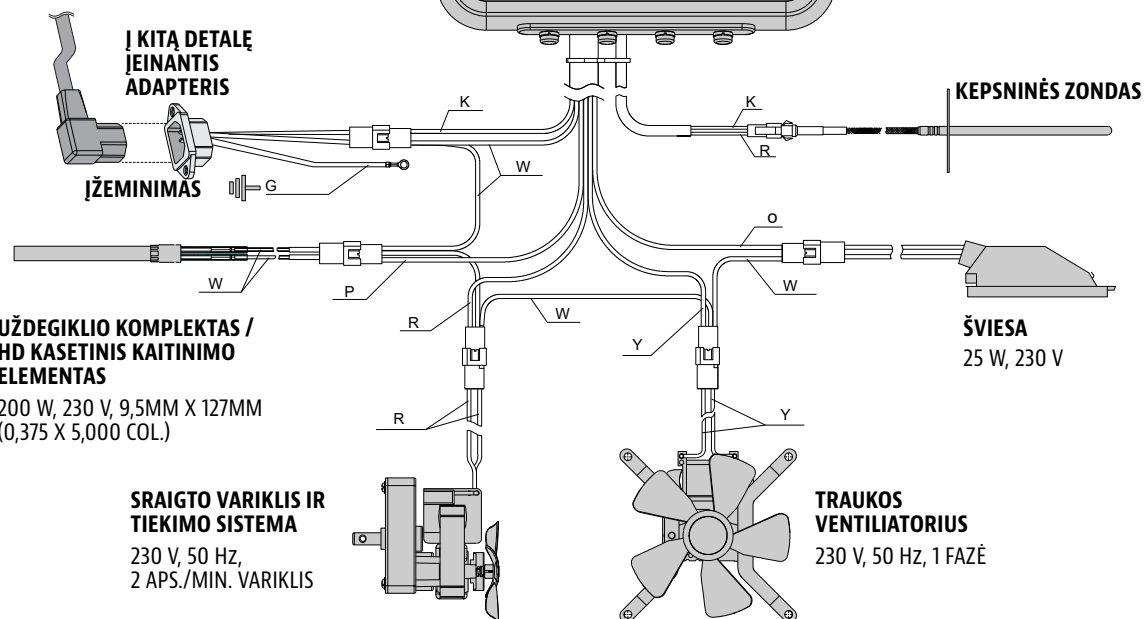
KEPSNINĖS ZONDAS

ŠVIESA
25 W, 230 V

TRAUKOS
VENTILIATORIUS
230 V, 50 Hz, 1 FAZĖ

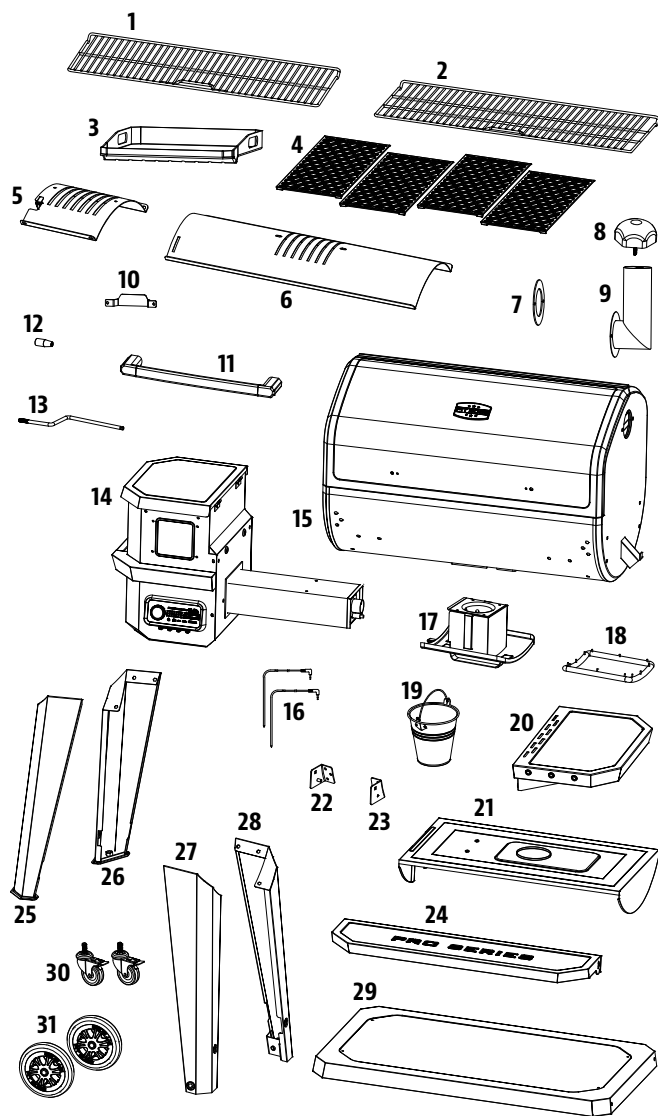
RODYKLĖ

K: JUODA
W: BALTA
R: RAUDONA
Y: GELTONA
P: VIOLETINĖ
O: ORANŽINĖ
G: ŽALIA



KEPSNINĖS ATSARGINĖS DALYS

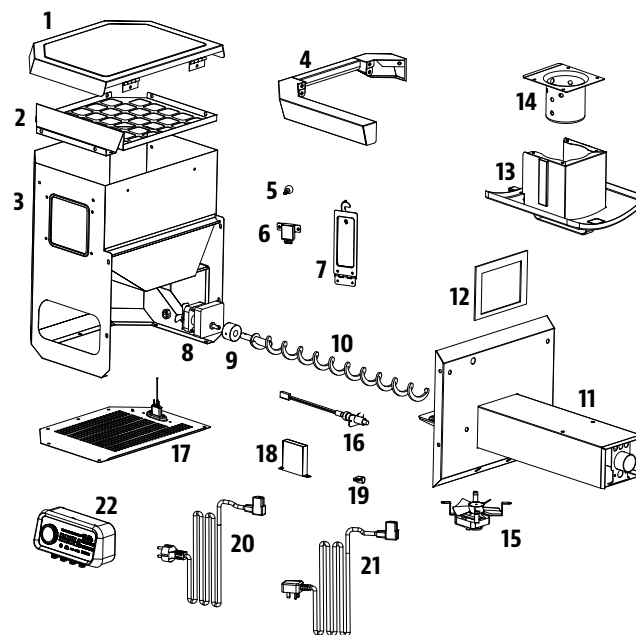
Dalies Nr.	Aprašymas
1	Viršutinė kepimo lentyna (x1)
2	Vidurinė kepimo lentyna (x1)
3	Grilio lėkštė (x1)
4	Kepimo grotelės (x4)
5	Kepsninės slankiojanti plokštė (x1)
6	Kepsninės pagrindinė plokštė (x1)
7	Kamino tarpiklis (x1)
8	Kamino dangtelis (x1)
9	Kamino vamzdis (x1)
10	Lentynos kablys (x1)
11	Dangčio rankena (x1)
12	Kepsninės plokštės reguliavimo sklendės rankenėlė (x1)
13	Kepsninės plokštės reguliavimo sklendė (x1)
14	Piltuvo komplektas (x1)
15	Pagrindinis cilindras (x1)
16	Mėsos zondas (x2)
17	Pelenų stalčiukas (x1)
18	Pelenų stalčiuko tarpiklis (x1)
19	Riebalų surinkimo kibirėlis (x1)
20	Šoninė lentyna (x1)
21	Skłaidytuvo plokštė (x1)
22	Priekinės lentynos laikiklis / kairysis (x1)
23	Priekinės lentynos laikiklis / dešinysis (x1)
24	Priekinė lentyna (x1)
25	Kairė atraminė koja - priekinė (x1)
26	Kairė atraminė koja - galinė (x1)
27	Dešinė atraminė koja - priekinė (x1)
28	Dešinė atraminė koja - galinė (x1)
29	Apatinė lentyna (x1)
30	Fiksuojami ratukai (x2)
31	Ratai (x2)
A	Varžtai (x28)
B	Poveržlės (x24)
C	Fiksavimo poveržlės (x22)
D	Įrankių kabliai (x3)
E	Rato kaiščiai (x2)
F	Rato poveržlės (x2)
G	Rato ašies kaiščiai (x2)
H	Varžtai (x2)
I	Veržlės (x2)
J	Įvorės (x2)



PASTABA. Dėl nuolatinio gaminio tobulinimo dalys gali būti pakeistos apie tai nepranešus.

PILTUVO ATSARGINĖS DALYS

Dalies Nr.	Aprašymas
1	Piltuvo dangtis (x1)
2	Piltuvo saugos skydelis (x1)
3	Piltuvo dėžės korpusas (x1)
4	Piltuvo rankena (x1)
5	Latako užrakto rankenėlė (x1)
6	Latako blokas (x1)
7	Latako durelės (x1)
8	Sraigto variklis (x1)
9	Nailoninė įvorė (x1)
10	Sraigto įvijos komplektas (x1)
11	Sraigto dėžės korpusas (x1)
12	Piltuvo korpuso tarpiklis (x1)
13	Pelenų stalčiukas (x1)
14	Ugnies indas (x1)
15	Degimo ventiliatorius (x1)
16	Uždegiklis (x1)
17	Piltuvo prieigos plokštė (x1)
18	Vandens nepraleidžiantis maitinimo laido dangtelis (x1)
19	Maitinimo laido spaustukas (x1)
20	Maitinimo laidas – F kištukas (x1)
21	Maitinimo laidas – G kištukas (x1)
22	Valdymo plokštė (x1)



GARANTIJA

SĄLYGOS

Visoms „Dansons“ pagamintoms medžio granulėmis kūrenamoms „Pit Boss®“ kepsninėms taikoma ribota garantija nuo datos, kai jas parduota pirminis savininkas. Garantija taikoma nuo originalios įsigijimo dienos. Norint patvirtinti garantiją, reikalingas įsigijimo dienos įrodymas arba originalaus kvito kopija. Jei klientai negalės pateikti įsigijimo įrodymo arba garantijos laikotarpis bus pasibaigęs, jie turės apmokėti dalių, siuntimo ir tvarkymo išlaidas. „Dansons“ taiko penkerių (5) metų garantiją visų dalių defektams bei gamybai ir penkerių (5) metų garantiją elektros komponentams. „Dansons“ garantuoja, kad visos dalys neturės medžiagos ir gamybos defektų visą laikotarpį, kai gaminį naudoja ir turi originalus pirkėjas. Garantija netaikoma pažeidimams dėl nusidėvėjimo, pvz., įbrėžimams, įlenkimams, nusilupimams arba mažiems kosmetiniams įtrūkimams. Šie estetiniai kepsninės pokyčiai neturi įtakos jos veikimui. Bet kokios dalies remontas arba keitimas nėra pratęsimas, jei ribota penkerių (5) metų garantija, taikoma nuo pirkimo dienos, baigėsi.

Garantijos laikotarpiu „Dansons“ įsipareigoja tik pakeisti defektų turinčius ir (arba) sugedusius komponentus. Kol garantija galioja, „Dansons“ neprašys padengti grąžintų dalių remonto arba keitimo, iš anksto apmokėto krovinio išlaidų, jei „Dansons“ po apžiūros nustato, kad dalis (-ys) turi defektų. „Dansons“ neatsako už transportavimo, darbo išlaidas arba eksperto muitus. Išskyrus atvejus, nurodytus šiose garantijos sąlygose, dalių remontas ar keitimas anksčiau nurodytu būdu ir laikotarpiu reiškia visų tiesioginių ir išvestinių „Dansons“ įsipareigojimų ir prievolių įvykdymą jums.

„Dansons“ imasi visų atsargumo priemonių, kad būtų naudojamos rūdims atsparios medžiagos. Net imantis šių atsargumo priemonių, apsaugines dangas gali pažeisti įvairios medžiagos ir sąlygos, kurių negali kontroliuoti „Dansons“. Metalo dangas gali paveikti: aukšta temperatūra, per didelė drėgmė, chloras, pramoniniai dūmai, trąšos, vejos pesticidai, druska ir pan. Dėl šių priežasčių garantija netaikoma rūdims arba oksidacijai, nebent kepsninės komponentas praranda konstrukcinį vientisumą. Pasireiškus vienam iš aukščiau pateiktų reiškinų, žiūrėkite technines priežiūros skyrių apie tai, kaip ilgiau naudoti prietaisą. „Dansons“ rekomenduoja uždaryti kepsninės dangtį, kai jos nenaudojate. Ši garantija pagrįsta įprastu buitiniu kepsninės naudojimu ir priežiūra. Ribotoji garantija netaikoma kepsninei, kuri naudojama komercinėms reikmėms.

IŠIMTYS

„Pit Boss®“ kepsninėms netaikoma jokia rašytinė arba numanoma veikimo garantija, kadangi gamintojas nekontroliuoja jos montavimo, naudojimo, valymo, techninės priežiūros arba naudojamos kuro rūšies. Ši garantija nebus taikoma ir „Dansons“ neprisiims atsakomybės, jei jūsų prietaisas nebus sumontuotas, naudojamas, valomas ir prižiūrimas griežtai laikantis naudotojo vadovo. Naudojant šiame vadove nenurodytas dujas, garantija gali nebegalioti. Garantija netaikoma žalai arba gedimams dėl netinkamo naudojimo, tvarkymo arba modifikavimo. Nei „Dansons“, nei įgaliotasis „Pit Boss®“ pardavėjas neprisiima atsakomybės (teisinės arba kitokios) už netyčinę arba netiesioginę žalą turtui arba asmenų sužalojimą naudojant šį gaminį. Jei „Dansons“ pateikiama pretenzija dėl šios arba bet kokios kitos garantijos, kuri yra aiški arba numanoma pagal įstatymą, pažeidimo, gamintojas nėra atsakingas už specifinę, netiesioginę, pasekminę arba kitokią žalą, viršijančią originalią šio gaminio kainą. Visos gamintojo garantijos yra nurodytos šiame dokumente, todėl gamintojui nereikia pateikti pretenzijų dėl garantijos ar pareiškimo. Kai kuriose valstijose arba šalyse negalima išskirti arba apriboti netyčinės ar pasekminės žalos arba apriboti numanomų garantijų, todėl šioje ribotojoje garantijoje išdėstyti apribojimai arba išimties jums gali būti netaikomi. Šioje ribotojoje garantijoje nurodytos jūsų konkrečios teisės ir jūs galite turėti kitų teisių, kurios skiriasi kiekvienoje šalyje.

ATSARGINIŲ DALIŲ UŽSAKYMAS

Norėdami užsisakyti atsarginių dalių, susisiekite su vietiniu „Pit Boss®“ pardavėju arba apsilankykite mūsų internetinėje parduotuvėje adresu www.pitboss-grills.com

SUSISIEKIMAS SU KLIENTŲ APTARNAVIMO TARNYBA

Jei turite klausimų ar problemų, susisiekite su klientų aptarnavimo tarnyba: www.pitboss-grills.com

GARANTINIS APTARNAVIMAS

Susisiekite su artimiausiu „Pit Boss®“ pardavėju dėl remonto arba atsarginių dalių. Norint pateikti pretenziją dėl garantinio aptarnavimo „Dansons“, būtinas pirkimo dokumentas. Todėl saugokite originalų pardavimo kvitą arba sąskaitą-faktūrą. „Pit Boss®“ serijos ir modelio numeriai nurodyti vidinėje piltuvo dangčio pusėje. Užsirašykite toliau pateiktus numerius, kadangi etiketė gali nusidėvėti ar tapti neįskaitoma.

MODELIS

SERIJOS NUMERIS

PIRKIMO DATA

ĮGALIOTASIS PARDAVĖJAS

LIETUVIS

LT



IMPORTANT

DO NOT RETURN PRODUCT TO STORE

For all questions, comments, or inquiries, please contact Dansons directly:
www.pitboss-grills.com

IMPORTANT

NE RETOURNEZ PAS LE PRODUIT AU MAGASIN

Pour toute questions, commentaires ou demandes de renseignements,
veuillez communiquer avec Dansons directement : www.pitboss-grills.com

¡IMPORTANTE!

NO DEVUELVA EL PRODUCTO A LA TIENDA

Para el preguntas, comentarios o consultas, por favor contactar Dansons
directamente : www.pitboss-grills.com

WICHTIG

PRODUKT NICHT INS LAGER ZURÜCKSCHICKEN

Wenden Sie sich für Fragen, Anmerkungen oder Anfragen direkt an Dansons:
www.pitboss-grills.com

IMPORTANTE

NON RESTITUIRE QUESTO PRODOTTO AL NEGOZIO

Per qualsiasi domanda, commento o richiesta, contattare direttamente Dansons:
www.pitboss-grills.com

PITBOSS-GRILLS.COM

MADE IN CHINA | FABRIQUÉ EN CHINE | HECHO EN CHINA
IN CHINA HERGESTELLT | FABBRICATO IN CINA



© 2021 DANSONS
602211221UMV

